



**DISHWASHER K-36**

**TABLE  
KI4510**

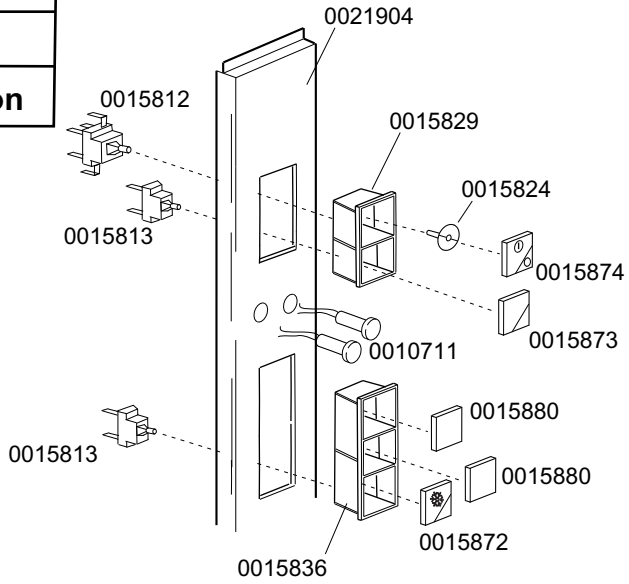
<b>CODE</b>	<b>DESCRIPTION</b>	<b>CODE</b>	<b>DESCRIPTION</b>
0016066	1 Liter 4 element decalcifier	0021908	Electrical component panel
0010700	Door spring	0010727	1,5 mt H2O drain liner
0010701	Drain elbow	0013240	Handle door in plastic
0010704	16-A Door safety micro-switch	0016037	B 1-2 Relay
0010705/R	8D. Pipe fitting	0016064/A	Timer 18' CDC
0010706/A	"EL" pressure switch		
0010707/1	Thermostat		
0010708/L	Rapid timer 120" 230/50		
0010714	2000W 240V Heating element		
0016052	Over flow device pipe		
0010770	Insulator for micro-switch		
0010786	M10x25 Small black foot		
0010799	Shining prod.dosing device T1000		
0010911	Air-trap		
0011170	M5x25 Security bolt		
0011701/A	Stainless steel nut for floor drain		
0011702	M8 Stainless steel nut		
0011711	M10 Zinc-Plated nut		
0011713	Filter fastening knulred nut		
0011806	25/40 Stainless steel clamps		
0011807	12/20 Stainless steel clamp		
0011807	12/20 Stainless steel clamp		
0011835	Brass bush		
0012525	Counter-weight for small filter		
0013301	14x8x1,5 D. Gasket		
0013305	44x32x3 Drain elbow gasket		
0013317	40D.Rubber cable-pass		
0013323	13D.Rubber cable-pass		
00135241	Plastic handle		
0015058	Small shin.prod.suct.filter		
0015065	12 Poles PA44 WP terminal board		
0015065/A	Cable fastener with screw		
0015098	Double solenoid valve		
0015099	Triple solenoid valve		
0015550	Conveyor safety thermostat		
0016050	Stainless steel filter net		
0016051	Filter botton		
0016051/A	Filter botton		
0016067	Salt container		
0016067/A	OR for salt container plug		
0016067/B	Salt container gasket		
0016067/C	Salt container ferrule		
0016067/D	Salt container plug		
0016070	CFD complete non-return valve		
0016082	Funnel		
0016906	30D. Connection pump suction filter		
0016906/A	50D. Connection pump suction filter		
0018136	Stars door rod		
0021900	Body standard version		
0021901	Body water softener version		
0021902	Complete door		
0021903	Lower panel		
0021905	Upper-later cover		
0021906	Back cover		
0021907	Botton protection		
00500550	3 Poles FV110 terminal board		

	<b>TABLE</b>	<b>REV</b>
	<b>KI4520</b>	<b>00</b>

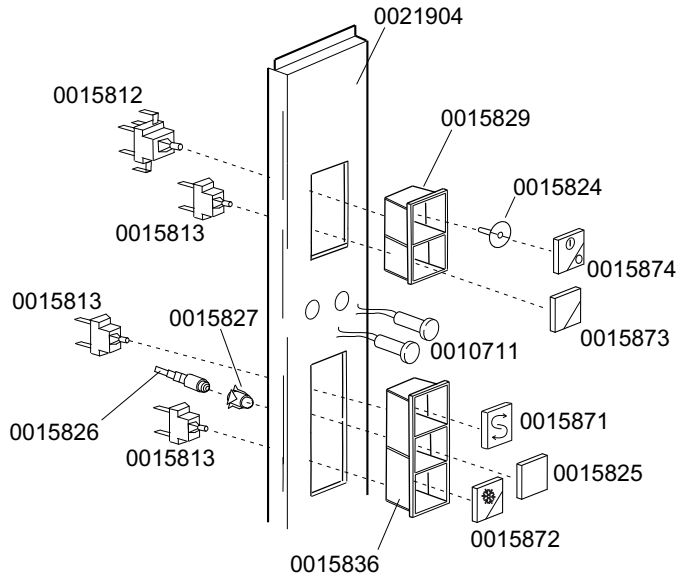
**DISHWASHER K-36**

**CONTROL PANEL**

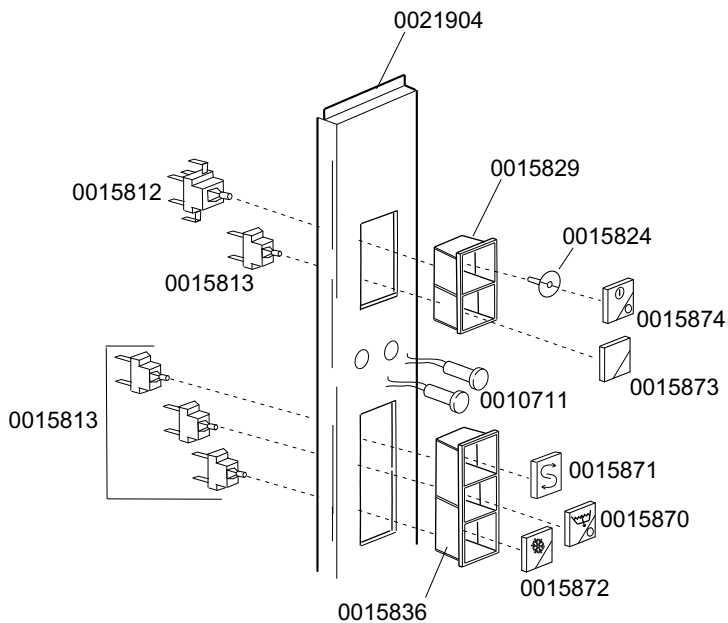
**From serial NR.00010948 on**



**STANDARD VERSION**



**WATER SOFTENER  
VERSION**



**WATER SOFTENER  
+  
DRAIN PUMP VERSION**



TABLE  
KI4530

REV  
00

DISHWASHER K-36

From serial NR.00010948 on

