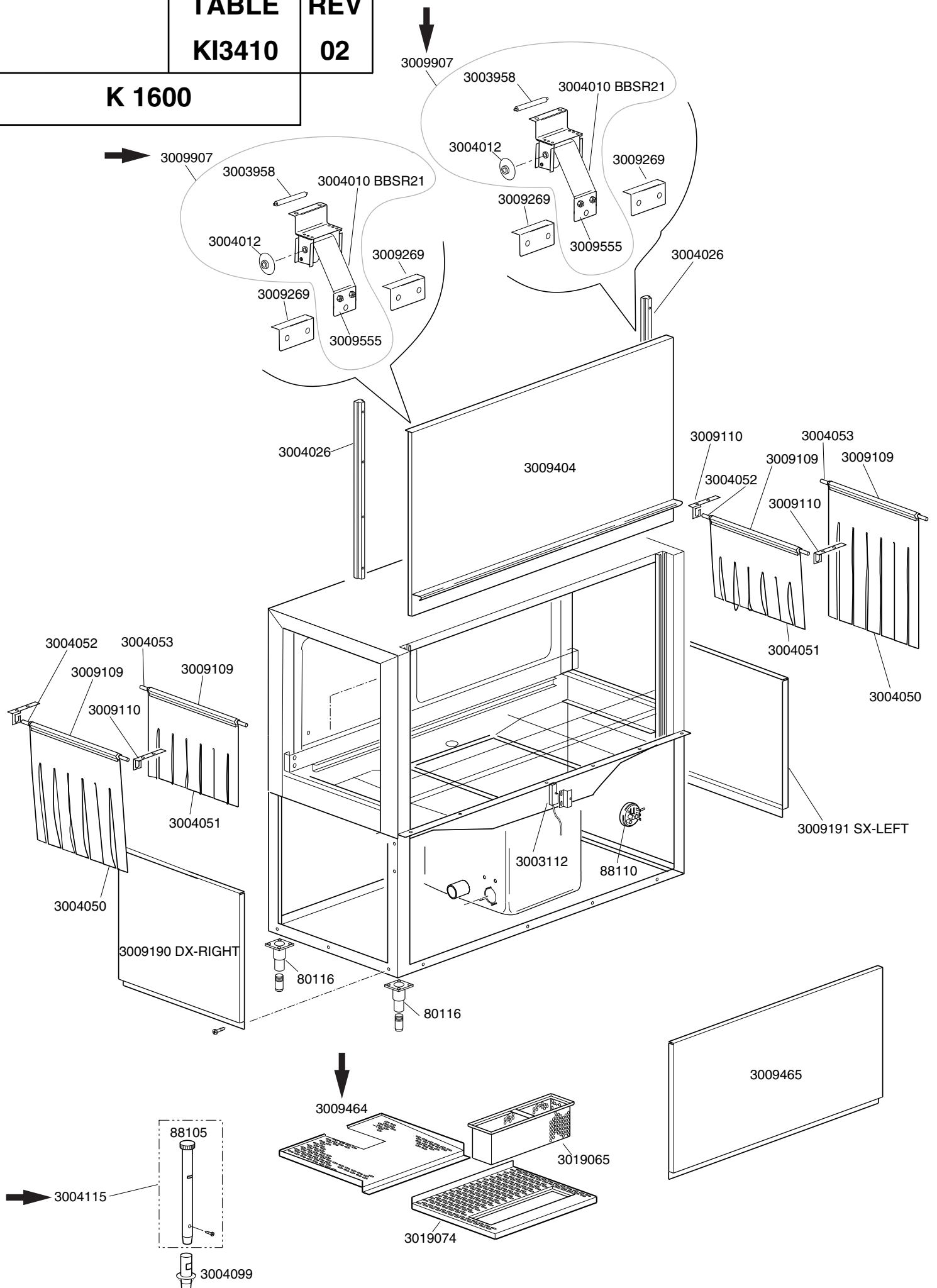


TABLE
KI3410

REV
02

K 1600



DISHWASHER KI 1600

TABLE KI3410

CODE	DESCRIPTION	CODE	DESCRIPTION
80116	80x82 H. 130 small foot		
88105	Overflow plug		
88110	Manostat		
2000477	Tank overflow		
3003112	Closing stop microswitch		
→ 3003958	Safety pin for springs support		
3004010	Stainless steel spring for long door		
3004012	Spring support shoulder		
3004026	Link block guide contour		
3004050	Long curtain		
3004051	Short curtain		
3004052	Rod for long curtain		
3004053	Rod for short curtain		
3004099	Support overflow		
→ 3004115	Tank overflow assembly		
3009109	Curtain moulding		
3009110	Curtain support		
3009190	Right under-door panel		
3009191	Left under-door panel		
3009269	Door stop		
3009404	Door assembly		
3009464	Semi-filter behind the washing area		
3009465	Front under-door panel		
→ 3009555	Spring clamping plate		
→ 3009464	Semi-filter behind the washing		
→ 3009907	Spring assembly		
3019065	Basket-type filter for washing area		
3019074	Semi-filter in front of the washing area		

TABLE
KI3420

REV
04

K 1600

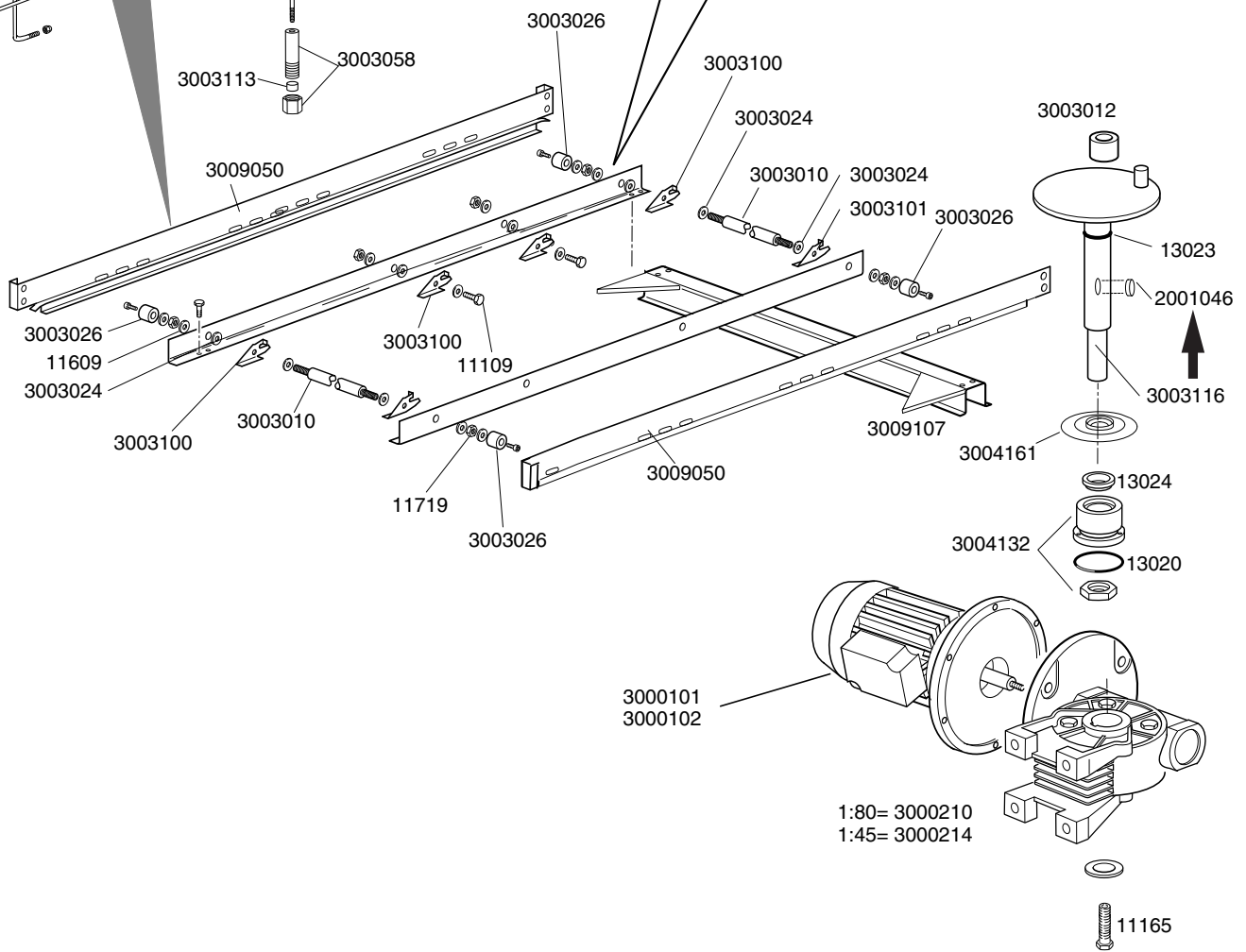
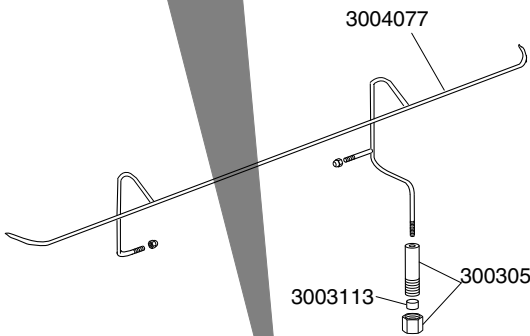
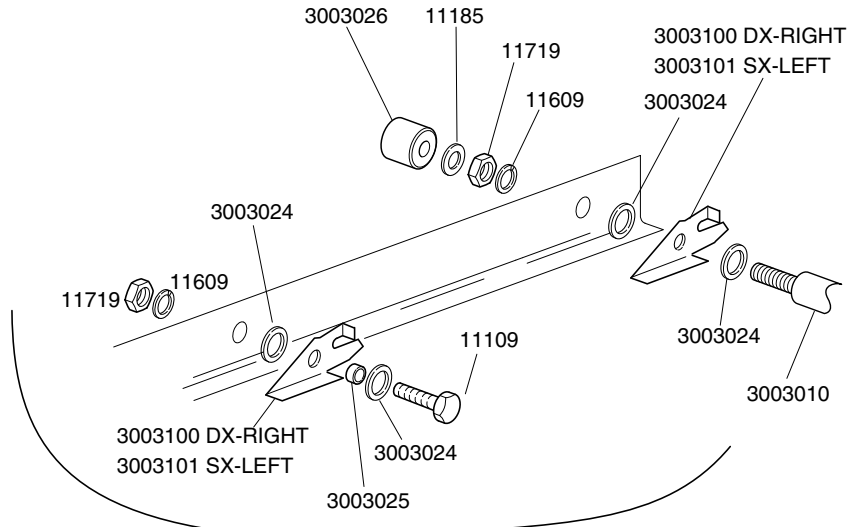
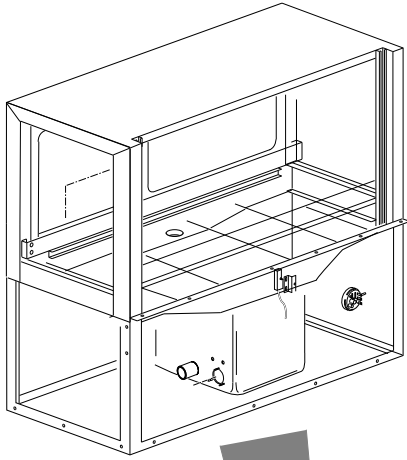
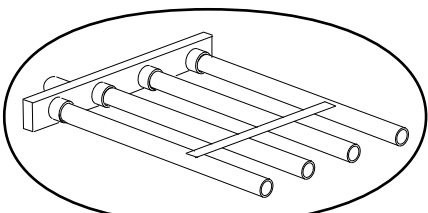


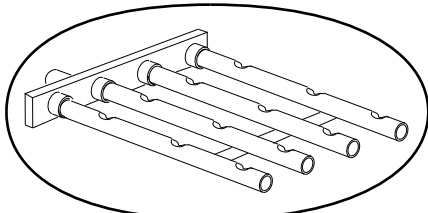
TABLE
KI3430

REV
06

K 1600

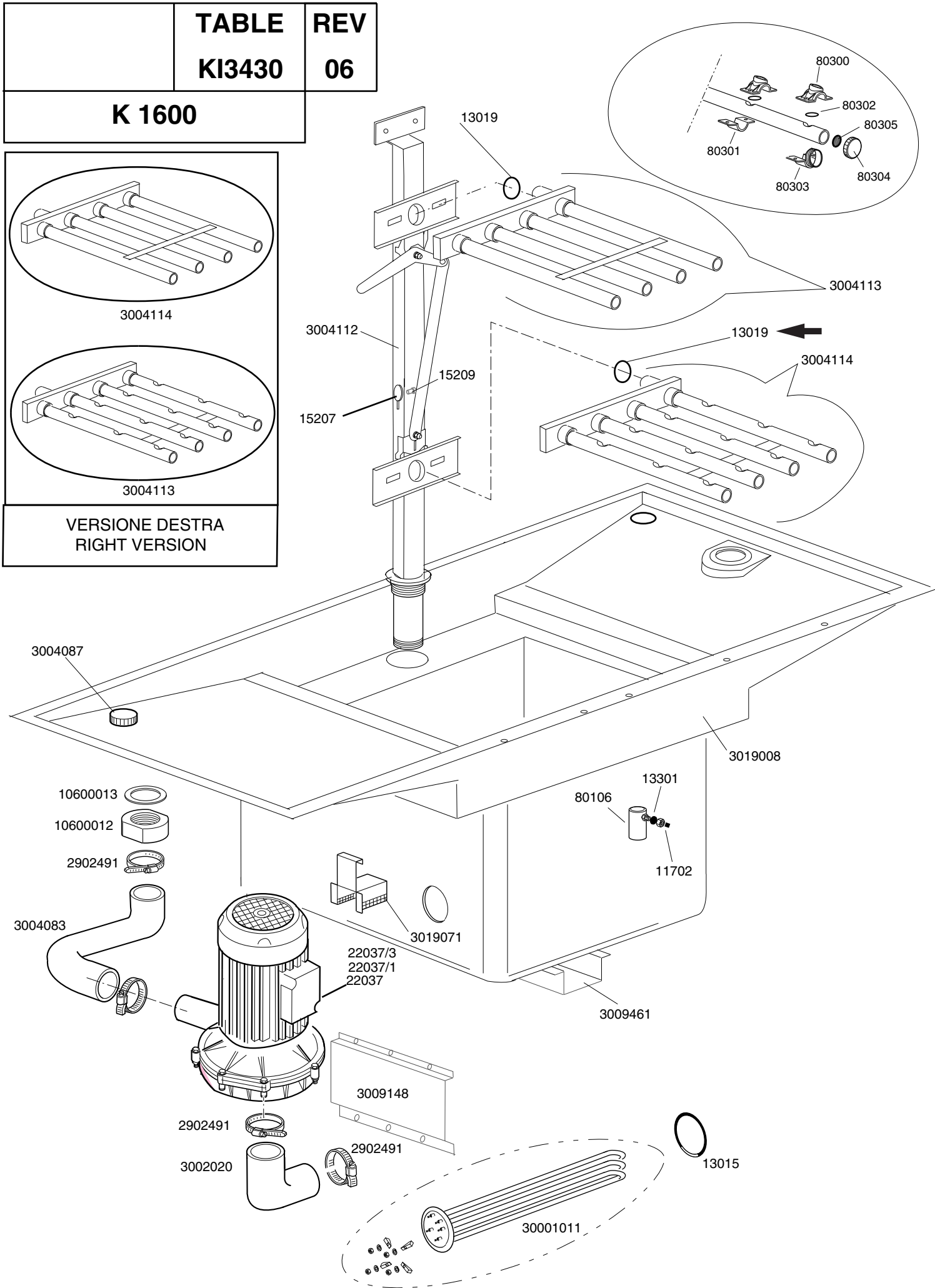


3004114



3004113

VERSIONE DESTRA
RIGHT VERSION



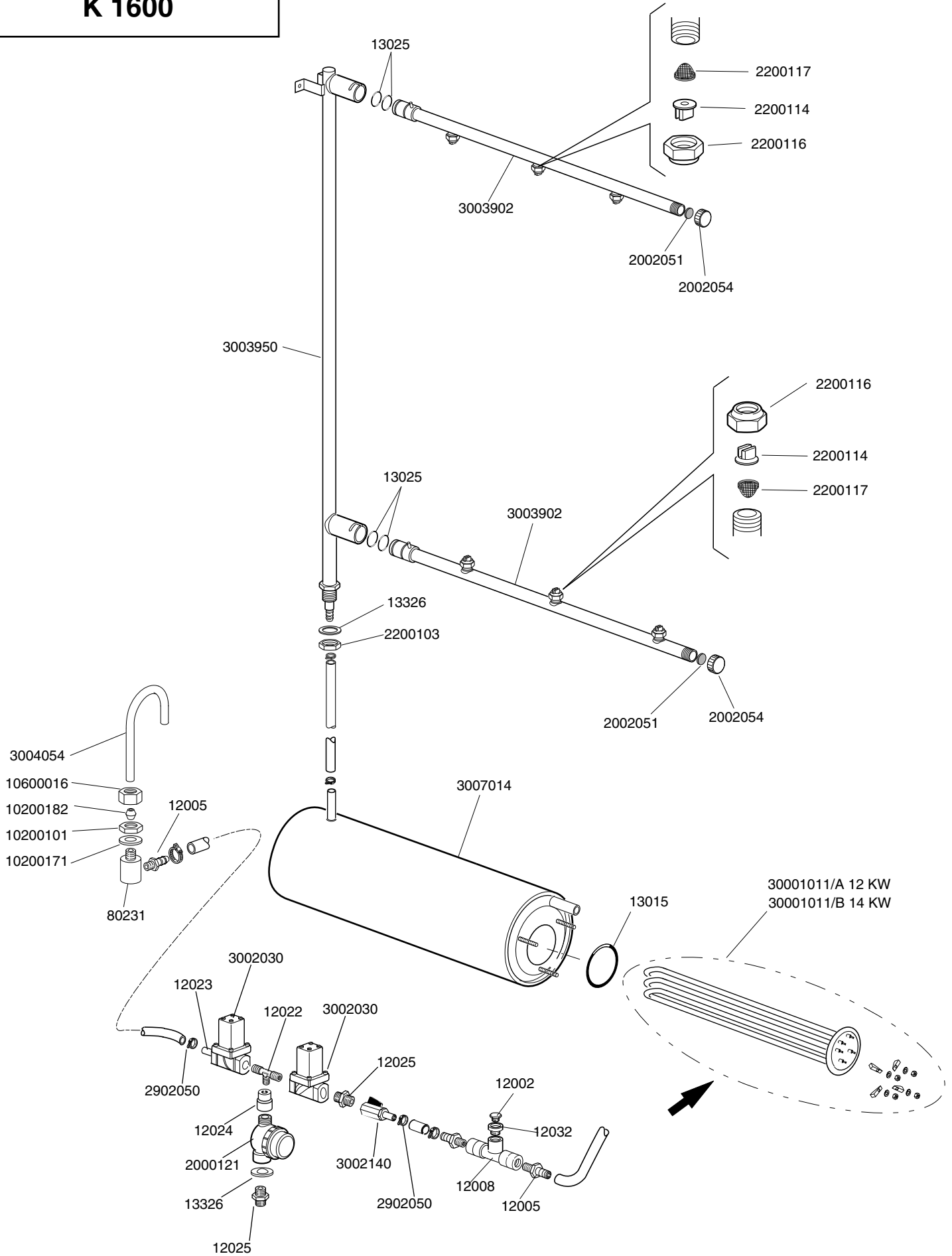
DISHWASHER K 1600**TABLE
KI3430**

CODE	DESCRIPTION	CODE	DESCRIPTION
11609	M8 stainless steel grower washer		
11702	Stainless steel M8 nut		
11708	M8 brass nut		
13015	OR 6225 gasket		
13019	Rinse for wash group		
13301	14x8x1,5 gasket		
15207	Knob for filter		
22037	HP2 220-240V/308-415V 50Hz Pump		
80106	Stainless steel air retainer		
80300	Wash nozzle		
80301	Collar for wash nozzle		
80302	OR gasket for nozzle		
80303	Collar		
80304	Nozzle cover		
80305	Gasket for nozzle cover		
2902491	Stainless steel clamp 60-80		
3002020	Elbow coupling EPDM d.60		
3004071	Corner was. ramp with clutch		
3004083	Delivery coupling		
3004087	Plug for tank		
3004112	Washing ramp gasket		
3004113	Top wash group		
3004114	Lower wash group		
3009148	Support pump		
3009461	Omega tank support		
3019008	Tank		
3019071	Pump suction-filter		
10600012	Flat nut for ramp fixing		
30001011	8,5 Kw 230V heating element		
30001024	Resistance flange		
15209/A	Inox hand grip		
22037/1	Mod.1226 HP2 200V 50Hz Pump		
22037/3	HP2 230/400V 60Hz Pump		

TABLE
KI3440

REV
05

K 1600

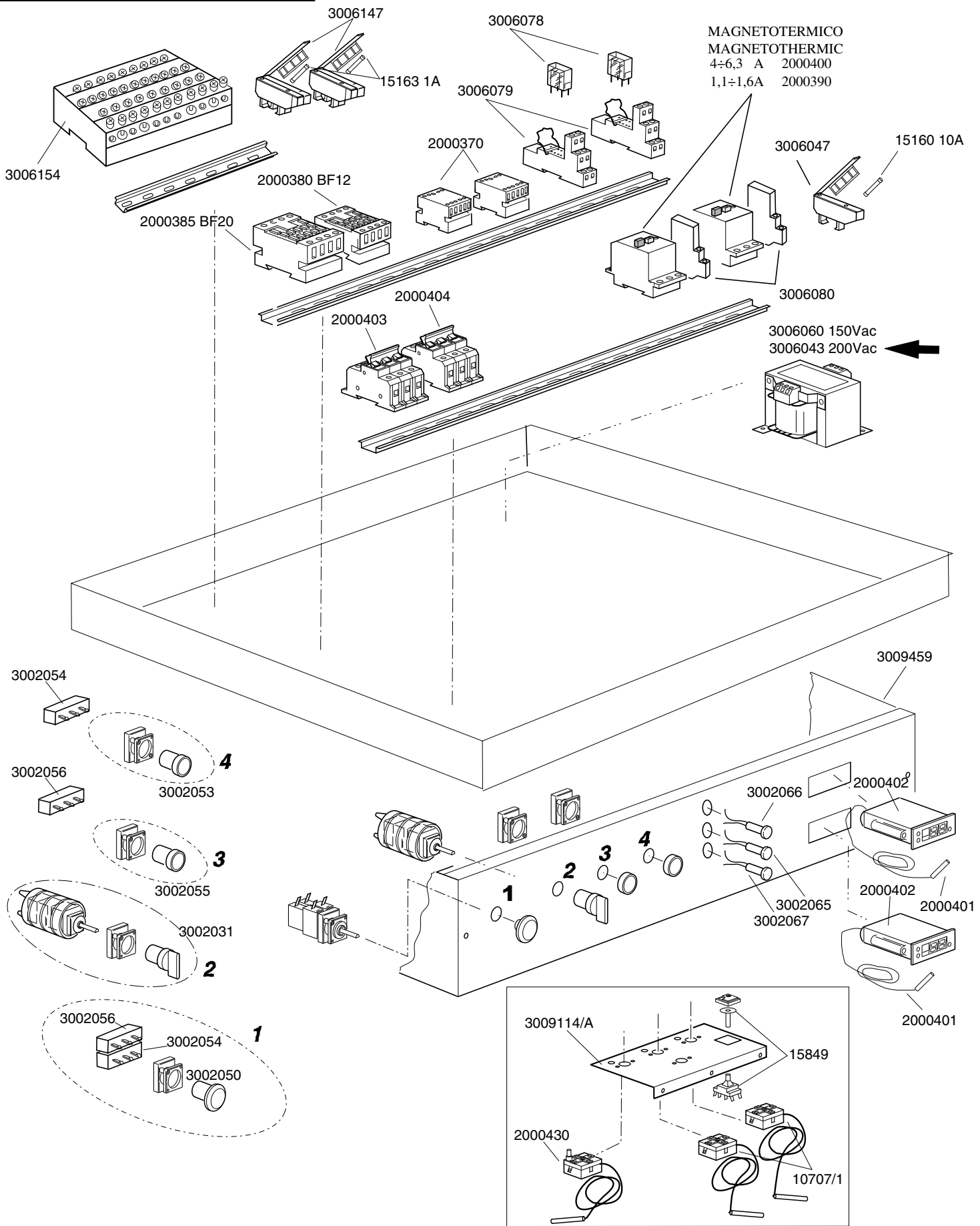


DISHWASHER K 1600

**TABLE
KI3440**

CODE	DESCRIPTION	CODE	DESCRIPTION
12002	Plug 1/8		
12005	Hose holder 1/4 for pipe d.12		
12008	Connection "T" 1/4		
12022	Union tee 1/2 MM		
12023	Rubber holder mM 1/2		
12024	Reduction nipples 1/2-3/4 M		
12025	Nipples 3/4 MM		
12032	Reduction 1/8-1/4		
2200117	Filtre for rinse jet		
13015	OR-6225 gasket		
13025	OR-2081 gasket		
13326	38x27x2 gasket		
80231	Inlet pipe fitting		
2000121	Load water line filter		
2002051	Plug gasket		
2002054	Plug for arm		
2200103	Hexagon 3/4 nut 34x8		
2200114	Stainless steel nozzle I-C1-030/110		
2200116	3/8F stainless steel ferrule		
2902050	15-24 stainless stel clamp		
3002030	OT58 1/2" solenoid valve		
3002140	Tap FF 1/2		
3003902	3 nozzle stainless steel rinsing arm		
3003950	Right-left stainless steel rinsing ramp		
3004054	Tank water inlet pipe		
3007014	Boiler Aisi-316		
10200101	Stainless steel pipe union nut 3/8		
10200171	FASIT 25x17x2 gasket		
10200182	Biconic washer 12		
10600016	Coupling 3/8" nut		
30001011/A	12000W heating element		
30001011/B	14000W heating element		

	TABLE	REV
	KI3450	01
K 1600		



DISHWASHER K 1600

TABLE
KI3450

CODE	DESCRIPTION	CODE	DESCRIPTION
15160	5x20 10A fuse		
15163	5x20 1A fuse		
15849	Single switch green key		
2000370	9/16A 24V 50/60 Hz meter		
2000380	12/25A 24V 50/60 Hz meter		
2000385	20/36A 24V 50/60 Hz meter		
2000390	1-1,6A magnet. motorprotector switch		
2000400	4-6,3A magnet. motorprotector switch		
2000401	Probe thermostat		
2000402	Digital thermostat		
2000403	20A magnet. switch		
2000404	25A magnet. switch		
2000430	Safety thermostat		
3002031	4 Pose selector		
3002050	35 d. red switch		
3002053	Push button mat green		
3002054	1NO contact		
3002055	Red microswitch		
3002056	1NC contact		
3002065	Red lamp M10		
3002066	Green lamp M10		
3002067	Yellow lamp M10		
→ 3006043	200Vac 0-200V 0-24V transformer		
3006047	Fuse holder		
3006060	150V 0-220-380 0-24V transformer		
3006078	Relay 24V		
3006079	Base for relay		
3006080	1NA+1NC auxiliary contact		
3006147	Fuse holder		
3006154	Therminal board 44X80X90 125A		
3009459	Control pannel		
10701/1	0-90 TR thermostat		
3009114/A	Flask		

	TABLE	REV
	KI3490	01
K 1600		

OPTIONAL ASCIUGATURA
DRIYNG OPTIONAL

- 2000370
- 2000390
- 2000393
- 3006074

OPTIONAL CONDENSA VAPORI
STEAM CONDENSER OPTIONAL

- 2000370
- 2000390

