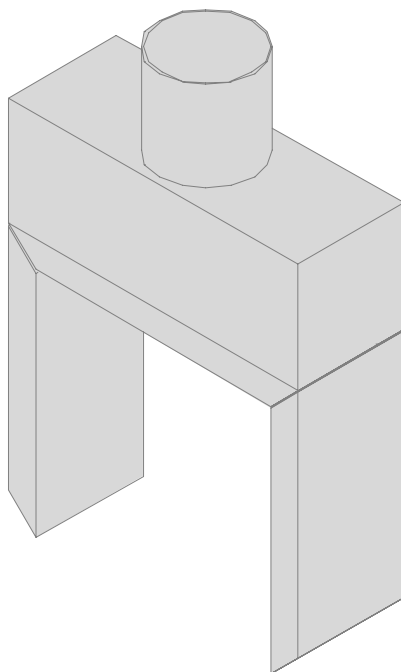


RACK CONVEYOR MACHINE

TYPE: sc8

Spare parts manual



S/N:

Valid from:..11/2002

Rev.: 2.0

1. Spare parts

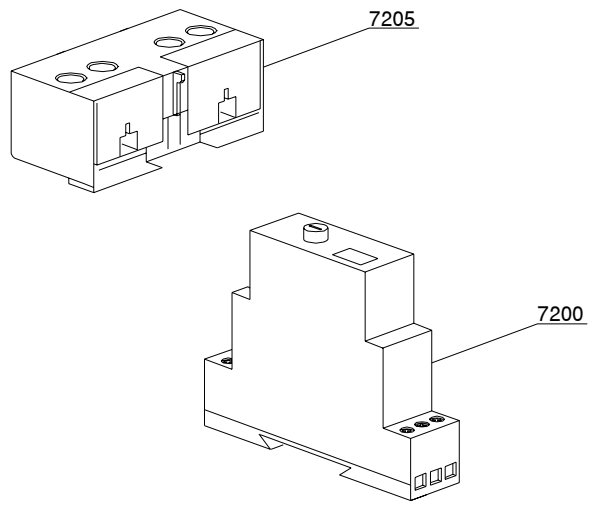
Time relay	5
Steam condenser - part 1	7
Steam condenser - part 2	9
Steam condenser - part 3	11

1.1 Voltage codes

Voltage code	Voltage
A	3/N/PE~400/230V 50Hz
B	~250V 16A 50Hz
C	3/N/PE~380/220V 50Hz
D	3/PE~200V 50-60Hz
F	2/PE 220-240V 50Hz
G	3/N/PE~415/240V 50Hz
H	3/PE~230V 50Hz
I	3/PE~220V 60Hz
J	3/PE~380 50Hz
K	3/PE~400V 50Hz
L	3/PE~415V 50Hz
M	3/PE~440V 60Hz
N	3/PE~460V 60Hz
O	3/PE~480V 60Hz
P	1/N/PE~220-240V 50Hz
R	2/PE~220-230V 60Hz
S	3/N/PE~400/230V 50Hz
T	3/PE~230V 60Hz

1.2 Product codes

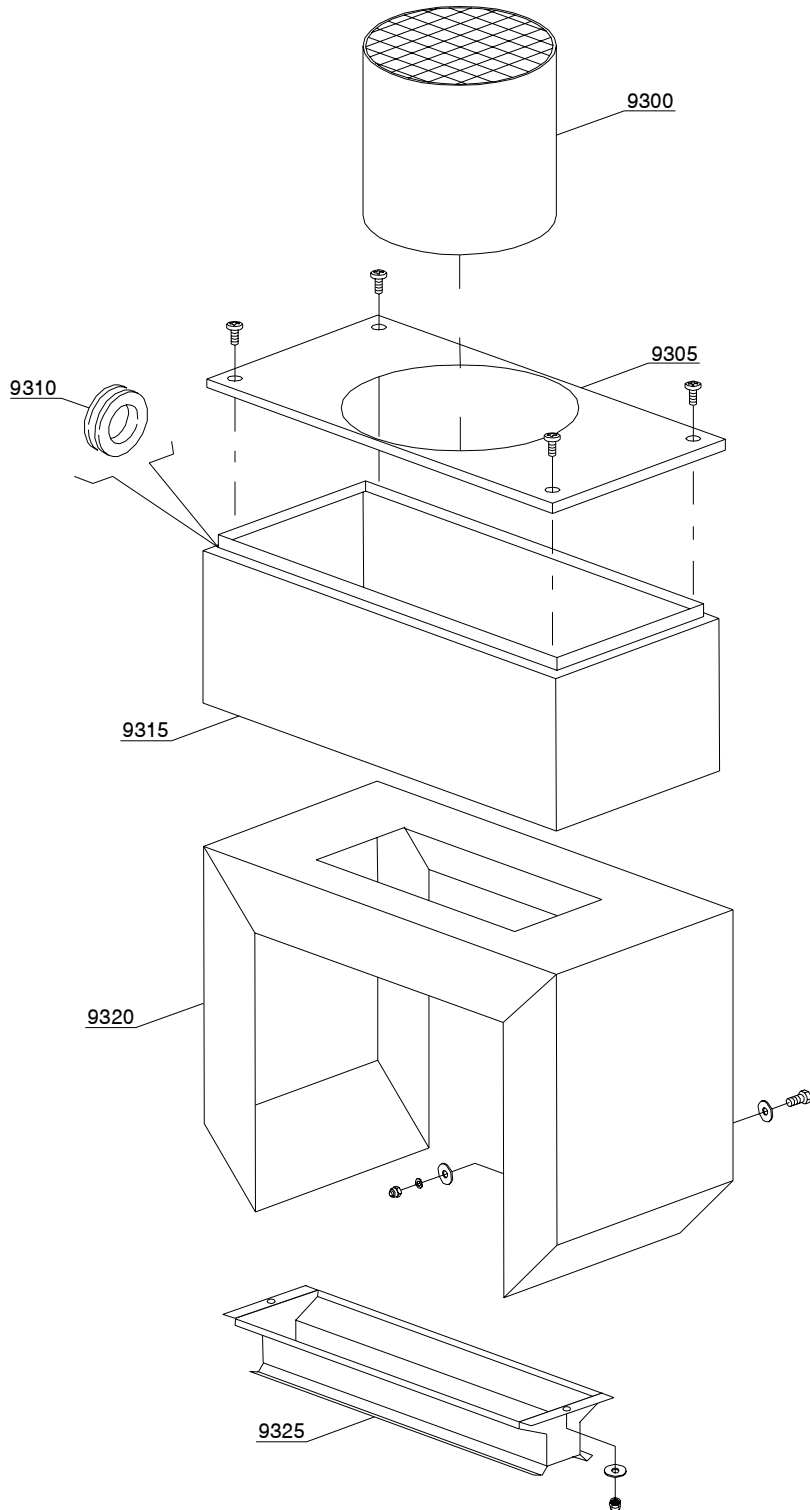
Product code	Full name
Model codes	
Type codes	
sc8	sc8
Accessory codes	



07_001_e

Spare parts

ID	P-code	Model	Type	Accessory	Voltage	Description
MODULE:Time relay						
7200	3006225		34,34HS,22,23,24,25,26,27,28,7 1,71G,39,sc8,sc9,d8,d9,d92,d94, 974,975		A	Time relay 24V
7205	3006068		34,34HS,22,23,24,25,26,27,28,7 1,71G,39,sc8,sc9,d8,d9,d92,d94, 974,975		A	MC9 auxiliary contact 1NO-1NC
7205	3002057		34,34HS,22,23,24,25,26,27,28,7 1,71G,39,sc8,sc9,d8,d9,d92,d94, 974,975		A	MC9 auxiliary contact 2NO
7205	3002052		34,34HS,22,23,24,25,26,27,28,7 1,71G,39,sc8,sc9,d8,d9,d92,d94, 974,975		A	MC9 auxiliary contact 2NC

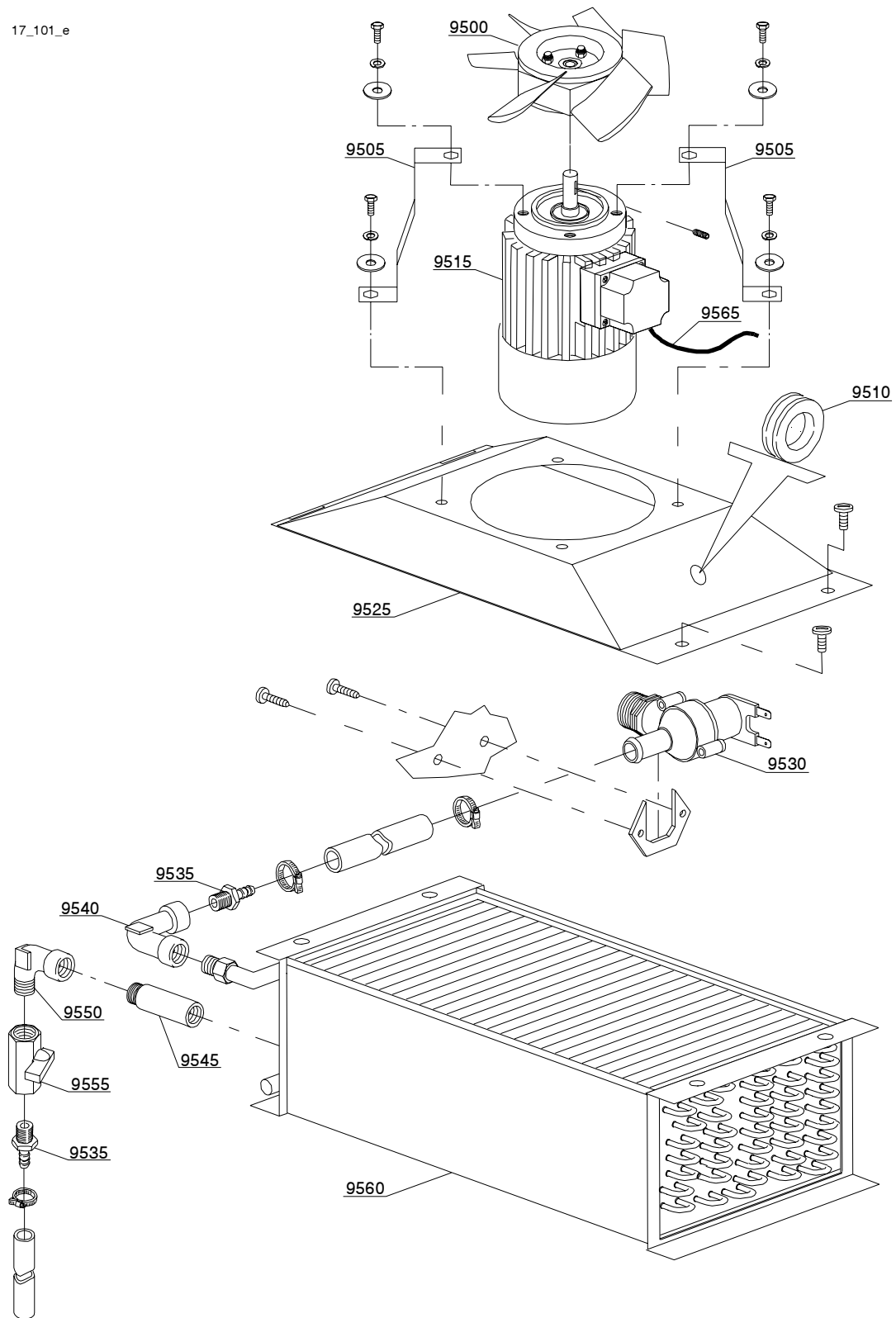


17_001_e

Spare parts

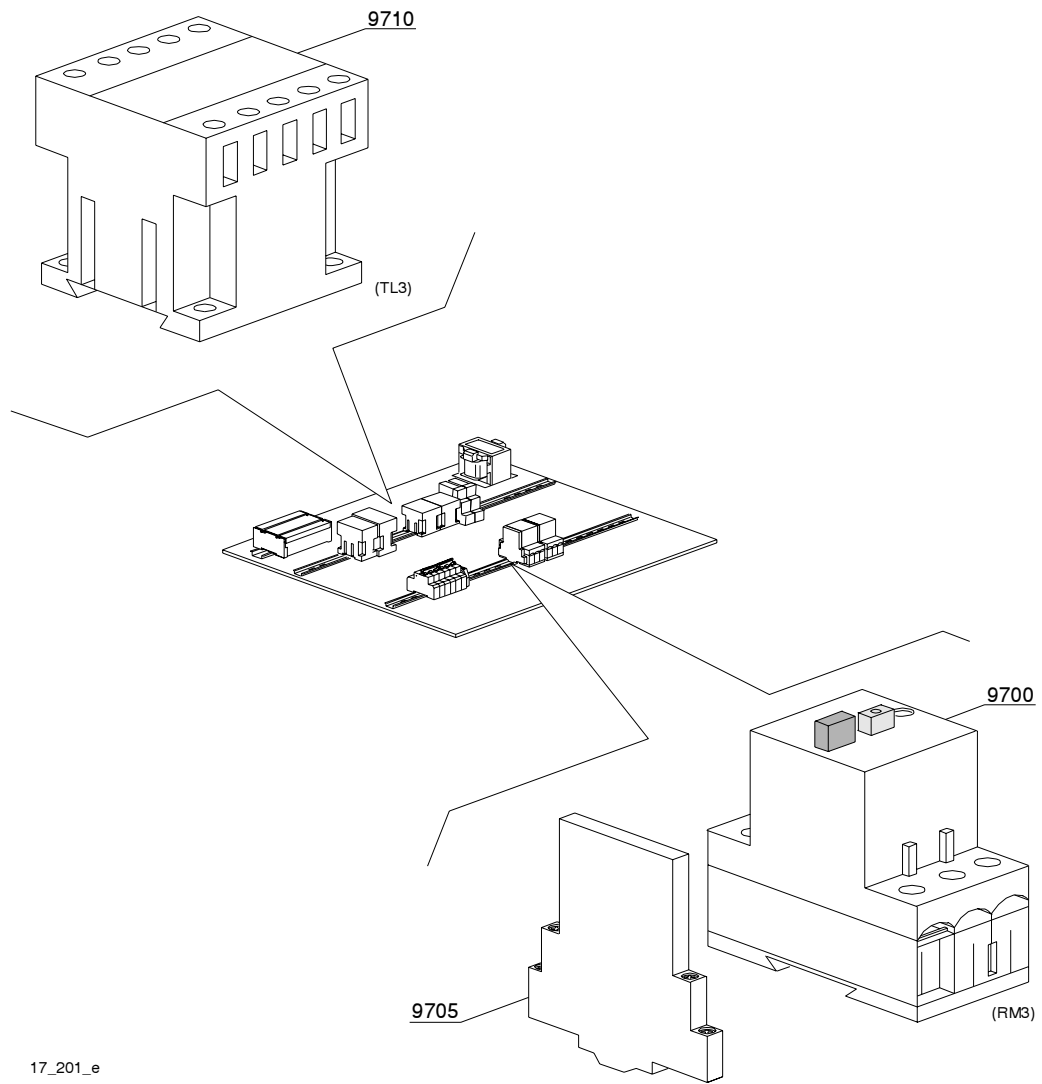
ID	P-code	Model	Type	Accessory	Voltage	Description
MODULE:Steam condenser - part 1						
9300	3009573		34,34HS,sc8			Chimney
9305	3009472		34,34HS,sc8			Cover with hole
9310	13329		34,34HS,sc8			Fairlead
9315	3009577		34,34HS,sc8			Complete body
9320	3009579		34,34HS,sc8			Jet top
9325	3009543		34,34HS,sc8			Suction group

17_101_e



Spare parts

ID	P-code	Model	Type	Accessory	Voltage	Description
MODULE:Steam condenser - part 2						
9500	3000124		34,34HS,sc8			Impeller fan
9505	3009551		34,34HS,sc8			Motor holder
9510	13329		34,34HS,sc8			Fairlead
9515	3000123		34,34HS,sc8		A	Motor 0.12KW
9525	3009583		34,34HS,sc8			Steam condenser base
9530	2000093		34,34HS,sc8			Single solenoid valve
9535	12023		34,34HS,sc8			Hose holder
9540	3002139		34,34HS,sc8			Elbow
9545	3002176		34,34HS,sc8			Extension
9550	12035		34,34HS,sc8			Elbow
9555	3002140		34,34HS,sc8			Tap
9560	3000155		34,34HS,sc8			Heating recovery battery
9565	15184		34,34HS,sc8			Cable



17_201_e

Spare parts

ID	P-code	Model	Type	Accessory	Voltage	Description
MODULE:Steam condenser - part 3						
9700	2000390		34,34HS,sc8		A	Motorprotector 1 - 1.6A
9705	3006080		34,34HS,sc8		A	Auxiliary contact LMS25
9710	2000370		34,34HS,sc8		A	Contactore MC9