

HOOD TYPE MACHINE

ELECTROMECHANICAL SWITCHES

TYPE: HOOD 800 SP 3D GOGGLES (IMAX)

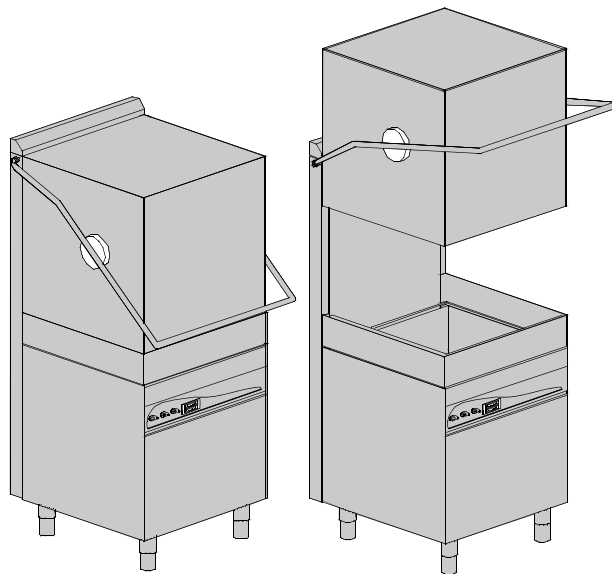
Accessories

DVGW

DETERGENT DISPENSER

SANITIZER DISPENSER

Spare parts manual



Parti di ricambio

Spare Parts

Catalogues pièces

Plezas de recambis

Ersatzteile

INFORMAZIONI GENERALI

Questo catalogo serve per richiedere con esattezza le parti di ricambio

Nelle ordinazioni indicare:

1) il numero dei codici dei particolari seguito dalla descrizione e la quantità desiderata;

2) Il codice alfa-numerico presente nella seconda colonna della tabella ;

I disegni delle parti di ricambio sono solo indicativi e non rappresentano il pezzo in oggetto.

I dati contenuti in questo catalogo sono indicativi e possono essere soggetti a modifiche senza impegno di preavviso.

ALLGEMEINE INFORMATIONEN

Dieser Ersatzteilkatalog dient zur genauen Angabe der Teile bei Ersatzteilbestellungen.

Bei Ersatzbestellung ist folgendes anzugeben:

1) Die Bestellnummer der Ersatzteile mit der entsprechenden Beschreibung genaue Menge;

2) Der alpha-numerischer Code auf der zweiten Reihe in dein Spclud;

Die Zeichnungen der Ersatzteile sind nur als Hinweise gedacht und stellen nicht das betroffene Teil dar.

Bei den im Katalog angeführten Daten handelt es sich um Anhaltsdaten, die jederzeit, ohne Vorankündigung, geändert werden können.

GENERAL INFORMATION

The present spare parts order exactly the right spare parts

When ordering specify:

1) the part's code number followed by its description and quantity needed;

2) The alpha-numeric code is in the second column in the chart;

Spare parts drawings are general and do not represent the part.

The contents of this catalogue are general and can undergo changes without prior notice.

INFORMACIONES GENERALES

El presente catálogo sirve para pedir con exactitud las partes de repuesto

En los pedidos se debe indicar:

1) el número de código de la parte y a continuación la descripción cantidad deseada;

2) El código alfanumerico presente en la segnada columna de la tabla;

Los diseños de las partes de recambio son solo indicativos y no representan la pieza en cuestión.

Los datos contenidos en el presente catálogo son indicativos y pueden modificarse sin aviso previo.

INFORMATIONS GENERALES

Ce catalogue permet de commander correctement les pièces détachées

Les commandes doivent être passées en indiquant:

1) le numero de code des pièces détachées suivi de leur description quantité désirée;

2) le code alphanumérique dans la deuxième colonne du tableau;

Les plans des pièces détachées sont fournis seulement à titre indicatif et ne représentent pas la pièce concernée.

Les données de ce catalogue sont citées seulement à titre indicatif et peuvent être l'objet de modifications sans avis préalable.

ESEMPIO EXAMPLE EXEMPLE BEISPIEL

| Rif. | Codici |
|--------------------|---------|
| MODULE:Particolari | |
| 10505 | 540903 |
| 10510 | 540908 |
| 10515 | 15065/A |
| 10520 | 540086 |
| 10525 | 540028 |



Note

Tutte le informazioni riportate si intendono aggiornate alla data di stampa. Il Produttore si riserva il diritto di apportare qualsiasi modifica richiesta dallo sviluppo evolutivo dei suddetti prodotti.

Per la sicurezza ,la garanzia, l'affidabilità ed il valore della lavastoviglie usa solo ricambi originali. **Per alcuni codici, sono richieste quantità minime d'ordine.**



Attenzione

Questo libretto è parte integrante della lavastoviglie e, in caso di passaggio di proprietà, deve essere consegnato al nuovo acquirente.



Remarque

Toutes les informations contenues dans ce manuel s'entendent mises à jour à la date d'impression. En raison du développement constant de ses produits, usine se réserve le droit d'apporter à tout instant les modifications qu'elle jugera utiles.

Pour la sécurité, la garantie, la fiabilité et la valeur de votre lavevaisselles, en cas de transfert de propriété, doit toujours être remis au nouveau propriétaire. **Pour quelque référence on demande un minimum de pièces par commande**



Attention

Ce manuel doit être considéré comme partie intégrante de la lavevaisselles, en cas de transfert de propriété, doit toujours être remis au nouveau propriétaire.



Note

The information contained herein is valid at the time of going to print. The Company reserves the right to make any changes required by the future development of the above-mentioned products.

For your safety, as well as to preserve the warranty reliability and worth of your dishwashers, use original spare parts only. **For some codes a minimum quantity for order is required.**



Warning

This manual forms an integral part of the dishwashers and - if a transfer of title occurs - must always be handed over to the new owner.



Hinweis

Die Der Hersteller behält sich das Recht vor, jegliche, durch eine Weiterentwicklung der genannten Produkte bedingte Änderungen vornehmen zu können.

Verwenden Sie für Ihre Sicherheit, die Garantie, die Zuverlässigkeit und den Wert Ihrer machine originale Ersatzteile. **Für bestimmte Code nummer werden mindesten bestellungen verlangt.**



Achtung

Diese Betriebsanleitung ist Bestandteile des machine und muss bei seinem Weiterverkauf dem neuen Besitzer ausgehändigt werden.


Parti di ricambio

Spare Parts

Catalogues pièces

Plezas de recambis

Ersatzteile





Code DW 999XXXXXX **CL/Part**

Model DESCRIPTION

S/N DW A 1015770 **Type**


400V 3N 50HZ 8A
3500W 500W

  16A

Pressione Dinamica alimentazione idrica 200-500 kPa
Pression dynamique arrivée d'eau
Dynamic pressure water supply
Dynamischer Druck asserreinlauf


Pressione dinamica vapore saturo
Pression dynamique vapeur satueèè
Dymanischer Druck gesattigter Dampf
Pression Dinamica Vapor Saturado


TECHICAL SPECIFICATION

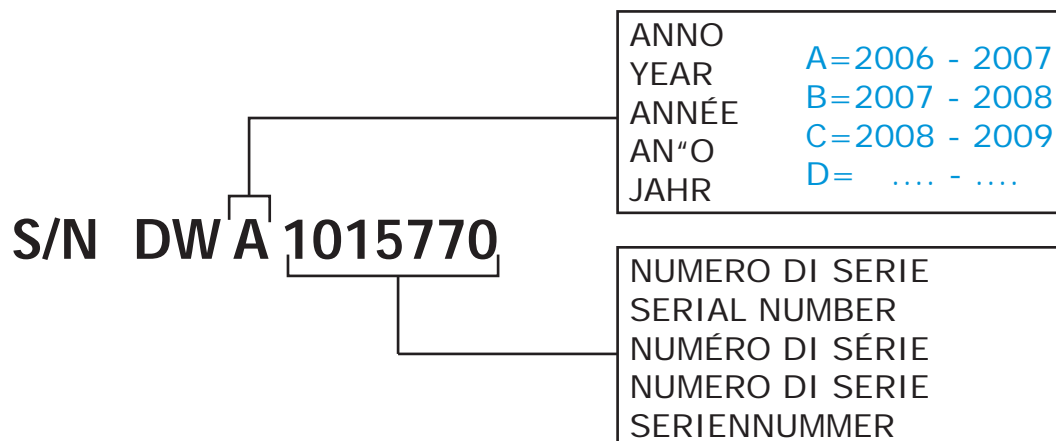
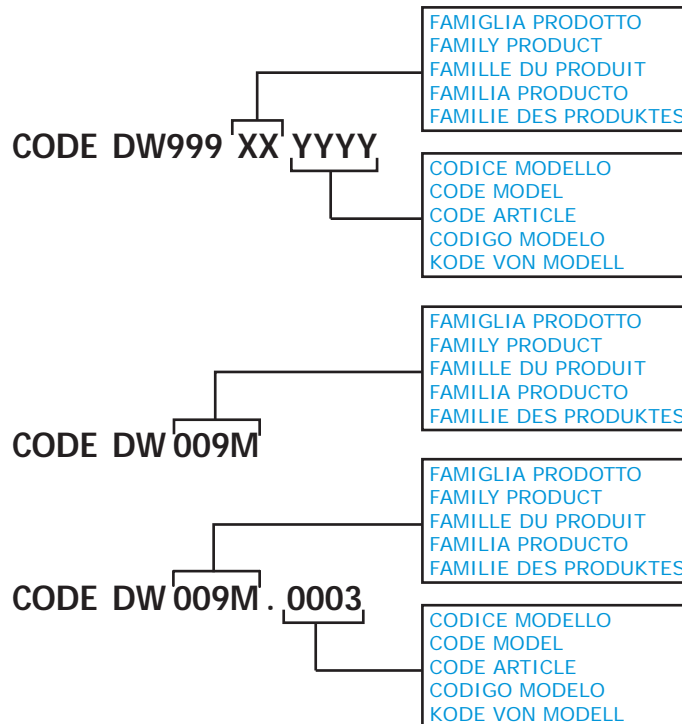


MADE IN ITALY

Temperatura massima acqua in ingresso 60°C
Temperature max eau a l'entre
Maximale Temperatur Wasseranschlu
Maximum Water temperature in-feeding

Model 

S/N 



POSIZIONE MATRICOLA / LOCATION OF SERIAL NUMBER / EMBLACEMENT DU NUMERO DE SERIE

MATRICOLA
SERIAL NUMBER
NUMERO DE DERIE

MATRICOLA
SERIAL NUMBER
NUMERO DE DERIE

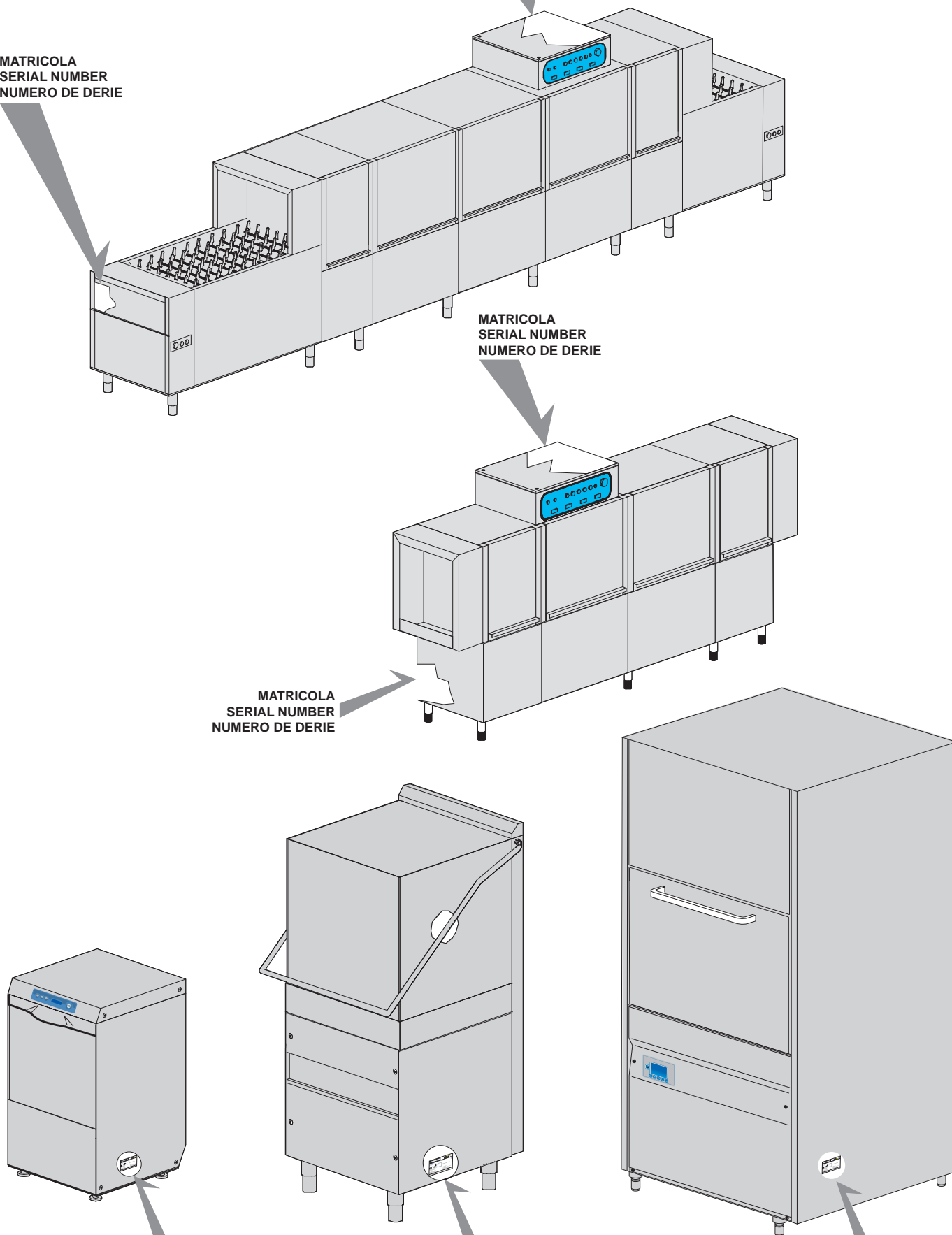
MATRICOLA
SERIAL NUMBER
NUMERO DE DERIE

MATRICOLA
SERIAL NUMBER
NUMERO DE DERIE

MATRICOLA
SERIAL NUMBER
NUMERO DE DERIE

MATRICOLA
SERIAL NUMBER
NUMERO DE DERIE

MATRICOLA
SERIAL NUMBER
NUMERO DE DERIE



1. Spare parts

| | |
|---|-----------|
| General body parts..... | 9 |
| Closing panelig..... | 11 |
| Control panel and switches..... | 13 |
| Electric control components..... | 15 |
| Solenoid valve group | 17 |
| Solenoid valve group | 19 |
| DVGW valve | 21 |
| Rinse aid dispenser group..... | 23 |
| Rinse aid dispenser group..... | 25 |
| Boiler group | 27 |
| 3 ways connection | 29 |

Wash pump group.....31

Dosing detergent / sanetizing group.... 33

Pressure switch group with air trap ...35

Turret group with rotating arms37

1.1 Voltage codes

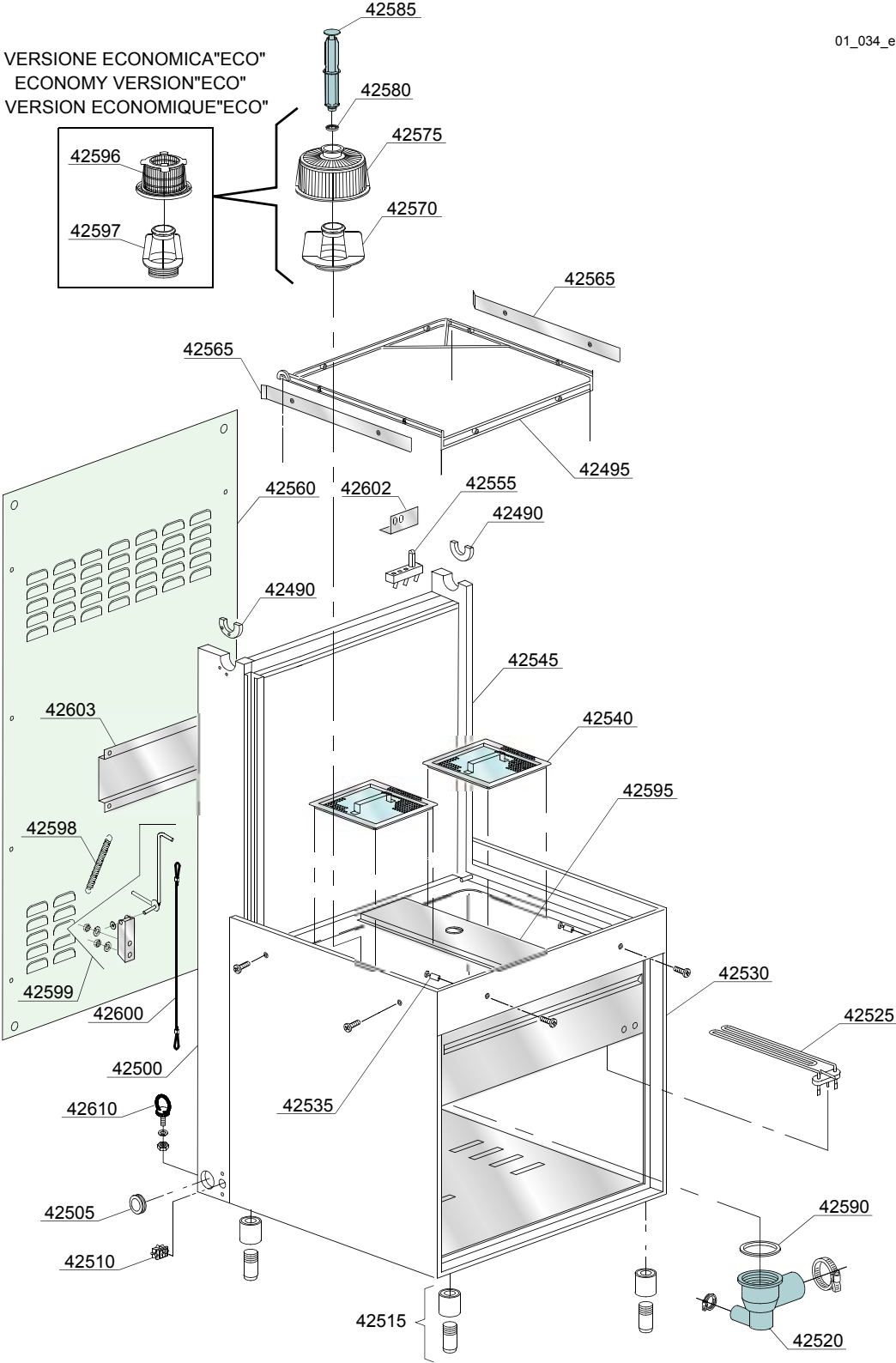
| Volt | Voltage code |
|------|-------------------------|
| A | 3/N/PE~380-400V 50-60Hz |
| D | 3/PE~200-210V 50-60Hz |
| F | 2/PE~220-240V 50-60Hz |
| G | 3/N/PE~415V 50-60Hz |
| H | 3/PE~220-230V 50-60Hz |
| K | 3/PE~380-400V 50-60Hz |
| L | 3/PE~415V 50-60Hz |
| M | 3/PE~440V 60Hz |
| P | 1/N/PE~220-230V 50-60Hz |
| R | 2/PE~220-240V 50-60Hz |
| U | 1/N/PE~240V 50-60Hz |
| V | 3/PE~240V 50-60Hz |
| W | 1/N/PE~100-110V 50-60Hz |

1.2 Product codes

| Product code | Full name |
|-----------------|----------------------------|
| Model codes | |
| em | ELECTROMECHANICAL SWITCHES |
| Type codes | |
| 110H | 110H |
| Accessory codes | |
| dvgw | DVGW |
| dd | DETERGENT DISPENSER |

Spare parts

01_034_e



Spare parts

| ID | P-code | SN from | SN to | Mod. | Acces. | Volt | Description |
|----------------------------------|----------|---------|-------|------|--------|------|--|
| Module:General body parts | | | | | | | |
| 42490 | 11600055 | | - | | | | Right/left slide bearing |
| 42495 | 11600001 | | - | | | | Rack frame |
| 42500 | 11600621 | | - | | | | Left guide rail support |
| 42505 | 13324 | | - | | | | Cable screw cap |
| 42510 | 15065/A | | - | | | | Cable-fastener with screw |
| 42515 | 15116 | | - | | | | Foot |
| 42520 | 500606 | | - | | | | Right side scrap tray |
| 42525 | 150047 | | - | | | | 2,7/2,94KW 230/240V heating element |
| 42530 | 76000 | | - | | | | Frame assembly |
| 42535 | 11600018 | | - | | | | Basket support holder pin M6 |
| 42540 | 11600907 | | - | | | | Strainer plate |
| 42545 | 11600620 | | - | | | | Right guide rail support |
| 42555 | 70305 | | - | | | | Hood switch |
| 42560 | 11600630 | | - | | | | Back panel |
| 42565 | 10600923 | | - | | | | Guide rail |
| 42570 | 500615 | | - | | | | Ferrule with filter |
| 42575 | 500616 | | - | | | | Suction filter |
| 42580 | 13021 | | - | | | | DEM 40 O-ring |
| 42585 | 500619 | | - | | | | Overflow pipe |
| 42590 | 80208 | | - | | | | 95x75x3 O-ring |
| 42595 | 76007 | | - | | | | Sleeper holder-filter |
| 42596 | 500600 | | - | | | | Interior filter with rack |
| 42597 | 500607 | | - | | | | Ferrule with filter |
| 42598 | 10700 | | - | | | | Spring |
| 42599 | 11600059 | | - | | | | Support for the security system assembly |
| 42600 | 76252 | | - | | | | Security system cord |
| 42601 | 11600058 | | - | | | | Passage ring for the security cord |

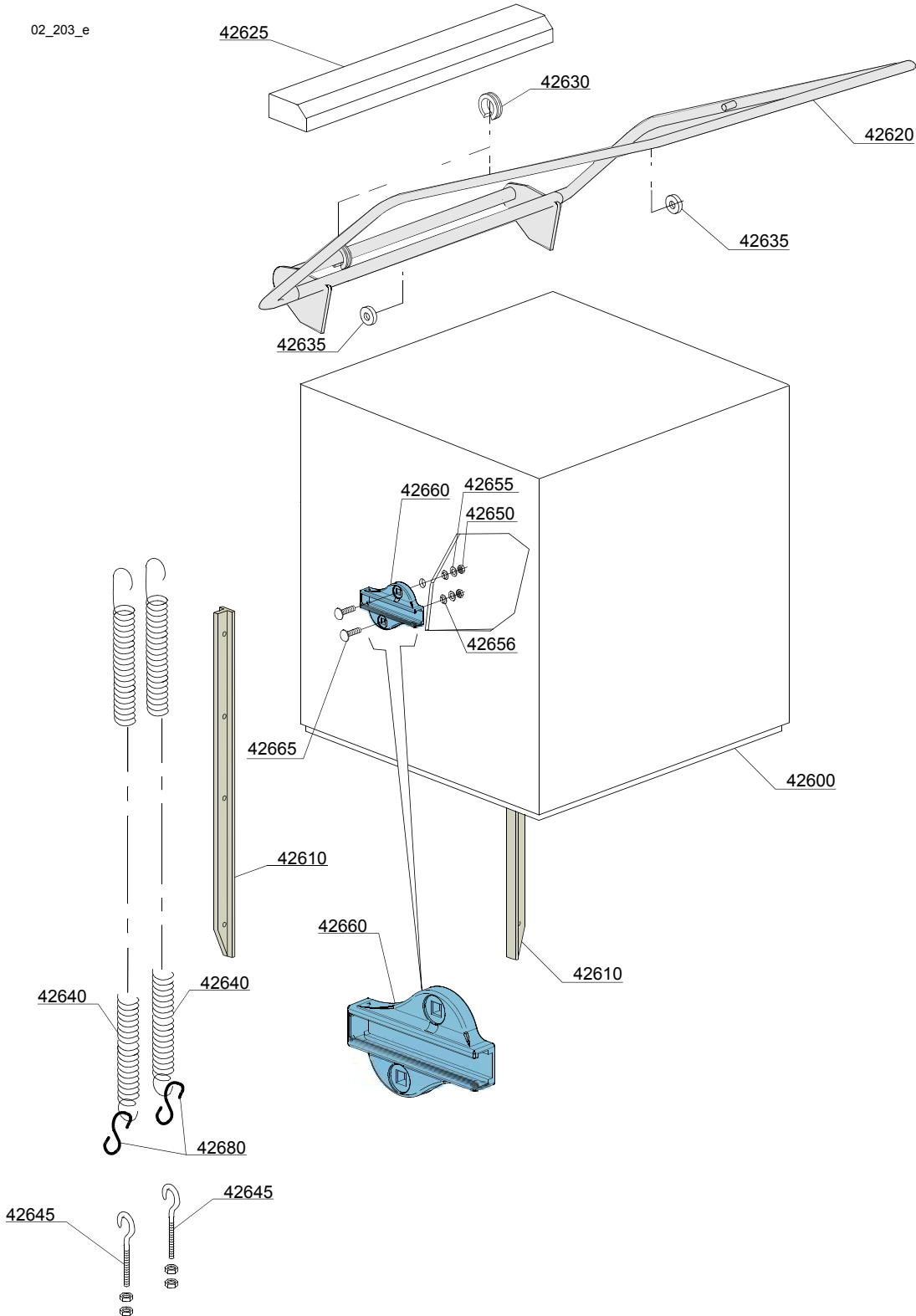
i=INSULATED HOOD, em=ELECTROMECHANICAL SWITCHES

110H=110H

bt=BREAK TANK, bp=BOOSTER PUMP, dvgw=DVGW, ws=WATER SOFTNER, dd=DETERGENT DISPENSER, dp=DRAIN PUMP

A=3/N/PE~380-400V 50-60Hz, D=3/PE~200-210V 50-60Hz, F=2/PE~220-240V 50-60Hz, G=3/N/PE~415V 50-60Hz, H=3/PE~220-230V 50-60Hz, K=3/PE~380-400V 50-60Hz, L=3/PE~415V 50-60Hz, M=3/PE~440V 60Hz, P=1/N/PE~220-230V 50-60Hz, R=2/PE~220-240V 50-60Hz, U=1/N/PE~240V 50-60Hz, V=3/PE~240V 50-60Hz, W=1/N/PE~100-110V 50-60Hz

Spare parts



Spare parts

| ID | P-code | SN from | SN to | Mod. | Acces. | Volt | Description |
|-------------------------------|----------|---------|-------|------|--------|------|-------------------------------------|
| Module:Closing panelig | | | | | | | |
| 42600 | 76001 | | - | | | | Hood, complete |
| 42610 | 76080 | | - | | | | Guide |
| 42620 | 76075 | | - | | | | Handle |
| 42625 | 11600913 | | - | | | | Spoiler |
| 42630 | 70306 | | - | | | | Spring hook joint |
| 42635 | 89919 | | - | | | | Bearing |
| 42640 | 75303 | | - | | | | Hood spring |
| 42645 | 10800210 | | - | | | | Hook screw |
| 42650 | 11718 | | - | | | | M8 stainless steel self-locking nut |
| 42655 | 11185 | | - | | | | 8x16 Stainless steel epring washer |
| 42656 | 76086 | | - | | | | Groove for hood |
| 42660 | 11600036 | | - | | | | Bearing holder (grey) |
| 42665 | 11325 | | - | | | | Inox screw M8x25 Uni 5731 |
| 42680 | 76253 | | - | | | | "S"Hook D6x65 |

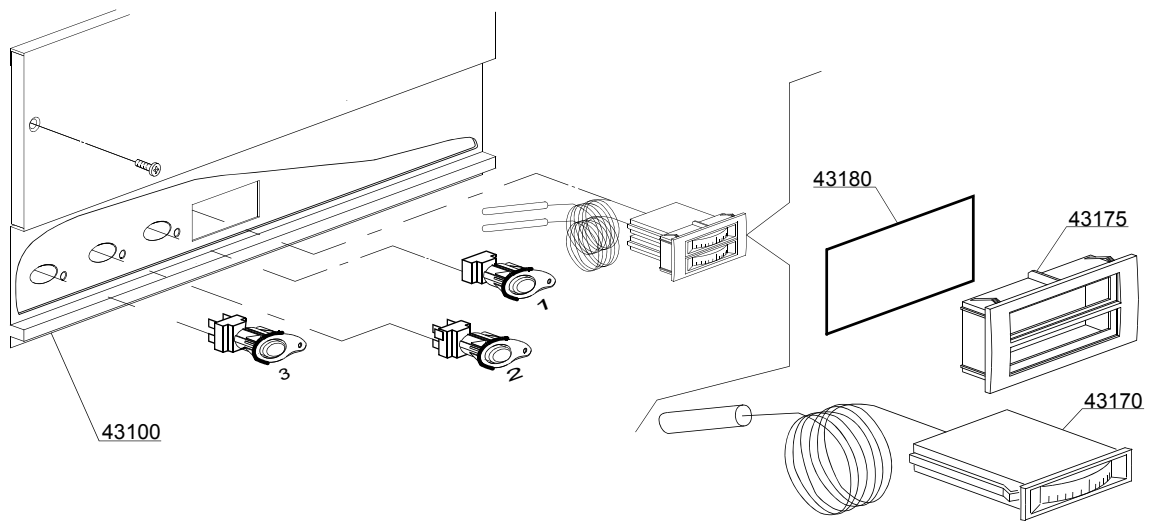
i=INSULATED HOOD, em=ELECTROMECHANICAL SWITCHES

110H=110H

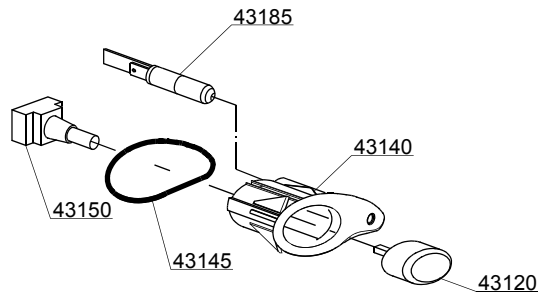
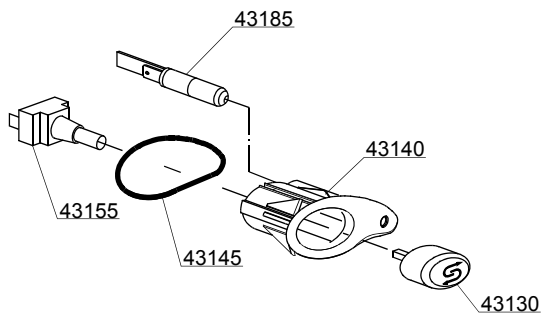
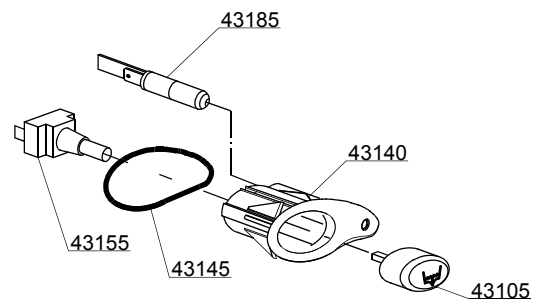
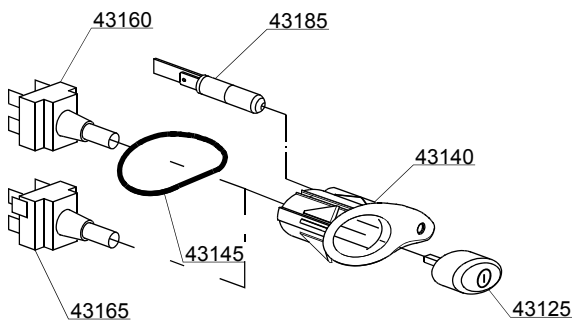
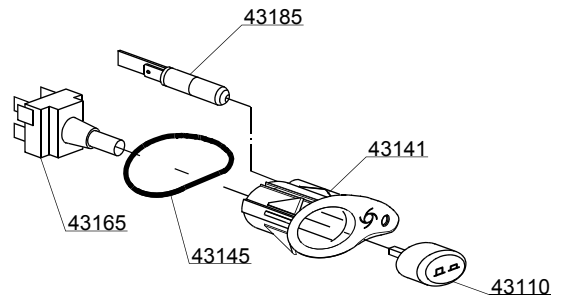
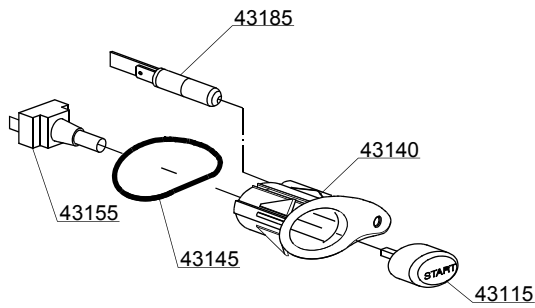
bt=BREAK TANK, bp=BOOSTER PUMP, dvgw=DVGW, ws=WATER SOFTNER, dd=DETERGENT DISPENSER, dp=DRAIN PUMP

A=3/N/PE~380-400V 50-60Hz, D=3/PE~200-210V 50-60Hz, F=2/PE~220-240V 50-60Hz, G=3/N/PE~415V 50-60Hz, H=3/PE~220-230V 50-60Hz, K=3/PE~380-400V 50-60Hz, L=3/PE~415V 50-60Hz, M=3/PE~440V 60Hz, P=1/N/PE~220-230V 50-60Hz, R=2/PE~220-240V 50-60Hz, U=1/N/PE~240V 50-60Hz, V=3/PE~240V 50-60Hz, W=1/N/PE~100-110V 50-60Hz

Spare parts



03_043_e



Spare parts

| ID | P-code | SN from | SN to | Mod. | Acces. | Volt | Description |
|--|----------|---------|-------|------|--------|------|----------------------------------|
| Module:Control panel and switches | | | | | | | |
| 43100 | 76019 | | | | | | Control panel |
| 43105 | 89343 | | - | em | dp | | Drain pump push button |
| 43110 | 89342 | | - | em | | | Time selector switch push button |
| 43115 | 89341 | | - | em | | | Start push button (optional) |
| 43120 | 89348 | | - | em | | | Blind push button |
| 43125 | 89340 | | - | em | | | ON-OFF push button |
| 43130 | 89345 | | - | em | ws | | Regeneration push button |
| 43140 | 86001 | | - | em | | | Cycle push button support |
| 43140 | 86002 | | - | em | | | Temperature push button support |
| 43141 | 86003 | | - | em | | | Push button support |
| 43145 | 86006 | | - | em | | | OR O-ring |
| 43150 | 15844 | | - | em | | | Push button support |
| 43155 | 15813 | | - | em | | | 16A unipolar switch |
| 43160 | 15800 | | - | em | | | 16A bipolar switch |
| 43160 | 15812 | | - | em | | | 16A switch |
| 43165 | 15811 | | - | em | | | 16A bipolar switch |
| 43165 | 15811/A | | - | em | | | 16A bipolar switch |
| 43170 | 10500011 | | - | em | | | Thermometer |
| 43175 | 89306 | | - | em | | | Double thermometer support |
| 43180 | 89331 | | - | em | | | OR O-ring |
| 43185 | 15826 | | - | em | | | Pilot lamp |

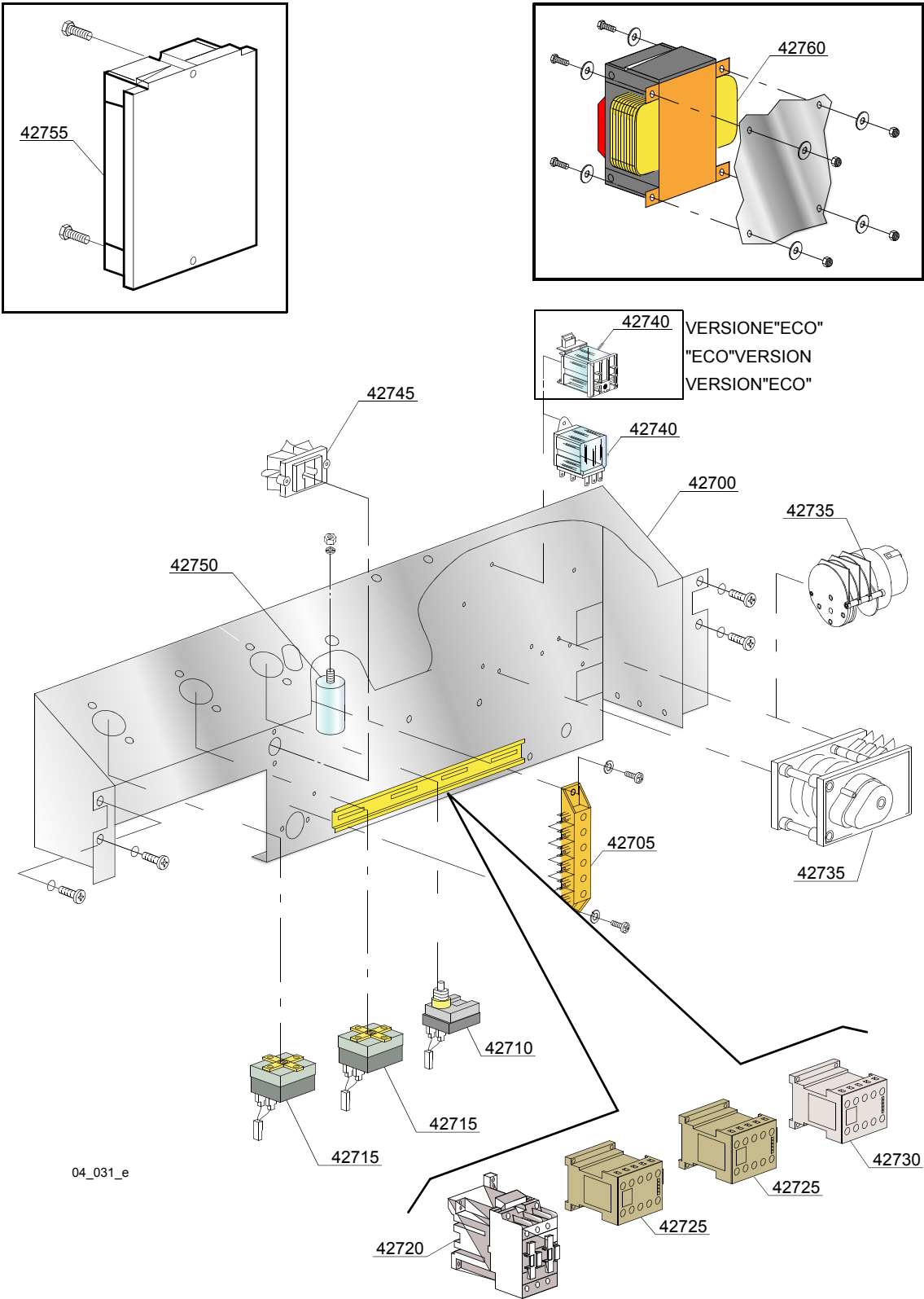
i=INSULATED HOOD, em=ELECTROMECHANICAL SWITCHES

110H=110H

bt=BREAK TANK, bp=BOOSTER PUMP, dvgw=DVGW, ws=WATER SOFTNER, dd=DETERGENT DISPENSER, dp=DRAIN PUMP

A=3/N/PE~380-400V 50-60Hz, D=3/PE~200-210V 50-60Hz, F=2/PE~220-240V 50-60Hz, G=3/N/PE~415V 50-60Hz, H=3/PE~220-230V 50-60Hz, K=3/PE~380-400V 50-60Hz, L=3/PE~415V 50-60Hz, M=3/PE~440V 60Hz, P=1/N/PE~220-230V 50-60Hz, R=2/PE~220-240V 50-60Hz, U=1/N/PE~240V 50-60Hz, V=3/PE~240V 50-60Hz, W=1/N/PE~100-110V 50-60Hz

Spare parts



Spare parts

| ID | P-code | SN from | SN to | Mod. | Acces. | Volt | Description |
|---|----------|---------|-------|------|--------|------|---|
| Module:Electric control components | | | | | | | |
| 42700 | 76002 | | - | | | | Electric component panel |
| 42705 | 500551 | | - | | | | 6 poles terminal board |
| 42710 | 2000430 | | - | | | | Safety thermostat |
| 42715 | 10707/1 | | - | | | | 0-90°C thermostat |
| 42720 | 10300050 | | - | | | | 25A/12A contactor - 230V 50/60HZ |
| 42720 | 10300052 | | - | | | | 36A/20A contactor - 230V 50/60HZ |
| 42720 | 10300054 | | - | | | | 25A/16A contactor - 230V 50/60HZ |
| 42725 | 15086 | | - | | | | Contactor 230V 50/60Hz 4C |
| 42725 | 15086/B | | - | | | | Contactor 240V 50Hz |
| 42730 | 10300391 | | - | | | | 3NA/1NC contactor 230V 50/60HZ |
| 42730 | 10300392 | | - | | | | 3NA/1NC contactor - 240Vac 50Hz |
| 42735 | 10300118 | | - | | | | 60/90/120" timer - 60Hz |
| 42735 | 10708/N | | - | | | | 90" timer with thermostop (economy version "ECO") |
| 42735 | 10300121 | | - | | | | 60/120/180" timer 50Hz |
| 42740 | 560301 | | - | | | | 230V 50/60 Hz Bipolar relay ("ECO"vers.) |
| 42740 | 15620 | | - | | | | Bipolar relay in deviation |
| 42745 | 15065/A | | - | | | | Cable-fastener with screw |
| 42750 | 15149 | | - | | | | Low noise filter |
| 42755 | 50553/A | | - | | | | 3 times electronic timer with regeneration |
| 42760 | 15381 | | - | | | | 0-230 160/230/400/415/440 VA Transformer |

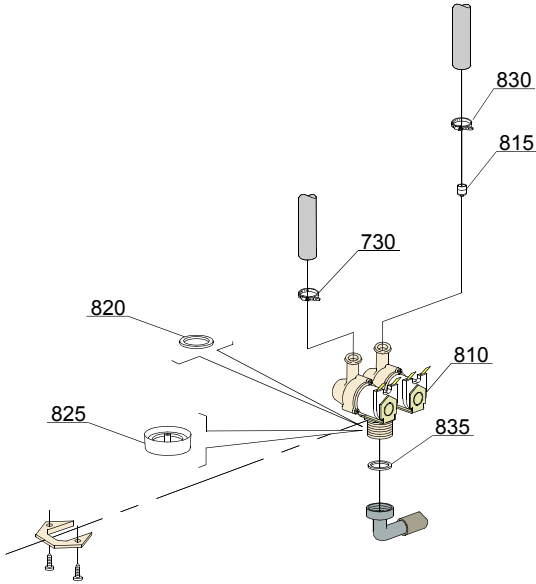
i=INSULATED HOOD, em=ELECTROMECHANICAL SWITCHES

110H=110H

bt=BREAK TANK, bp=BOOSTER PUMP, dvgw=DVGW, ws=WATER SOFTNER, dd=DETERGENT DISPENSER, dp=DRAIN PUMP

A=3/N/PE~380-400V 50-60Hz, D=3/PE~200-210V 50-60Hz, F=2/PE~220-240V 50-60Hz, G=3/N/PE~415V 50-60Hz, H=3/PE~220-230V 50-60Hz, K=3/PE~380-400V 50-60Hz, L=3/PE~415V 50-60Hz, M=3/PE~440V 60Hz, P=1/N/PE~220-230V 50-60Hz, R=2/PE~220-240V 50-60Hz, U=1/N/PE~240V 50-60Hz, V=3/PE~240V 50-60Hz, W=1/N/PE~100-110V 50-60Hz

Spare parts



05_003_e

Spare parts

| ID | P-code | SN from | SN to | Mod. | Acces. | Volt | Description |
|------------------------------------|--------|---------|-------|------|--------|------|-------------------------------|
| Module:Solenoid valve group | | | | | | | |
| 810 | 15098 | | - | i,em | ws | | Double solenoid valve - Ø10 |
| 815 | 15115 | | - | i,em | ws | | Green pression solenoid valve |
| 820 | N.C. | | - | i,em | ws | | Pression reducing valve |
| 825 | 15286 | | - | i,em | ws | | Pression reducing valve |

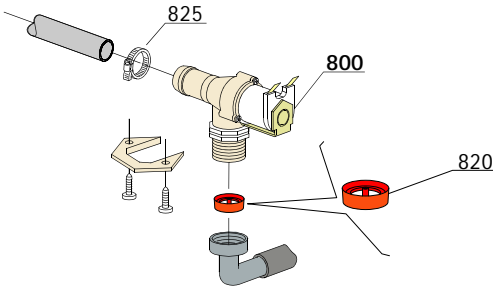
i=INSULATED HOOD, em=ELECTROMECHANICAL SWITCHES

110H=110H

bt=BREAK TANK, bp=BOOSTER PUMP, dvgw=DVGW, ws=WATER SOFTNER, dd=DETERGENT DISPENSER, dp=DRAIN PUMP

A=3/N/PE~380-400V 50-60Hz, D=3/PE~200-210V 50-60Hz, F=2/PE~220-240V 50-60Hz, G=3/N/PE~415V 50-60Hz, H=3/PE~220-230V 50-60Hz, K=3/PE~380-400V 50-60Hz, L=3/PE~415V 50-60Hz, M=3/PE~440V 60Hz, P=1/N/PE~220-230V 50-60Hz, R=2/PE~220-240V 50-60Hz, U=1/N/PE~240V 50-60Hz, V=3/PE~240V 50-60Hz, W=1/N/PE~100-110V 50-60Hz

Spare parts



05_005_e

Spare parts

| ID | P-code | SN from | SN to | Mod. | Acces. | Volt | Description |
|------------------------------------|----------|---------|-------|------|--------|------|-------------------------|
| Module:Solenoid valve group | | | | | | | |
| 800 | 30001000 | | - | i,em | | | Solenoid valve |
| 820 | 15286 | | - | i,em | | | Pression reducing valve |

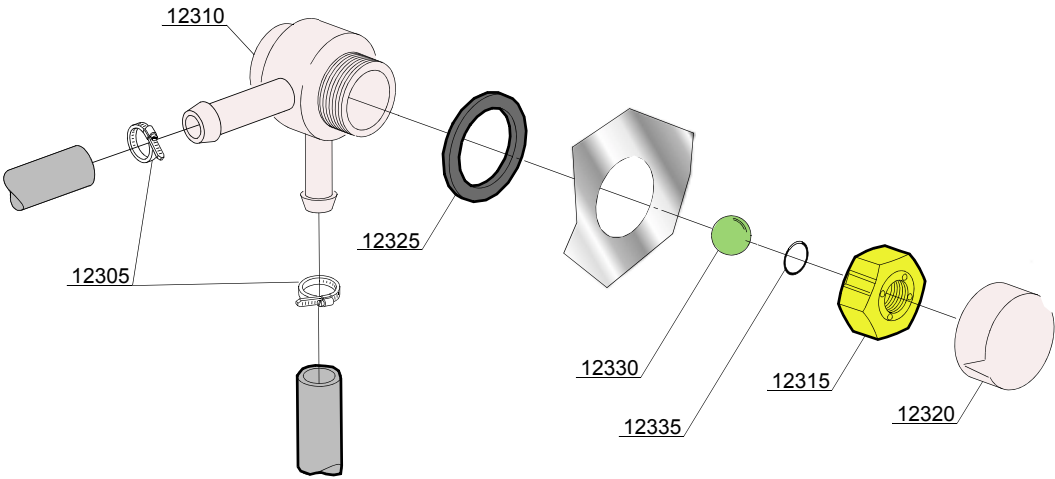
i=INSULATED HOOD, em=ELECTROMECHANICAL SWITCHES

110H=110H

bt=BREAK TANK, bp=BOOSTER PUMP, dvgw=DVGW, ws=WATER SOFTNER, dd=DETERGENT DISPENSER, dp=DRAIN PUMP

A=3/N/PE~380-400V 50-60Hz, D=3/PE~200-210V 50-60Hz, F=2/PE~220-240V 50-60Hz, G=3/N/PE~415V 50-60Hz, H=3/PE~220-230V 50-60Hz, K=3/PE~380-400V 50-60Hz, L=3/PE~415V 50-60Hz, M=3/PE~440V 60Hz, P=1/N/PE~220-230V 50-60Hz, R=2/PE~220-240V 50-60Hz, U=1/N/PE~240V 50-60Hz, V=3/PE~240V 50-60Hz, W=1/N/PE~100-110V 50-60Hz

Spare parts



08_005xe

Spare parts

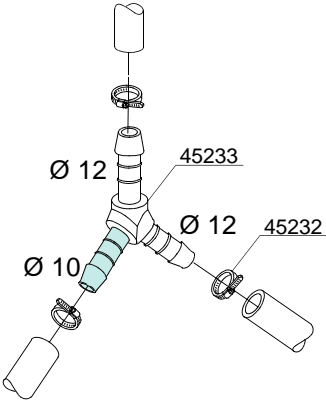
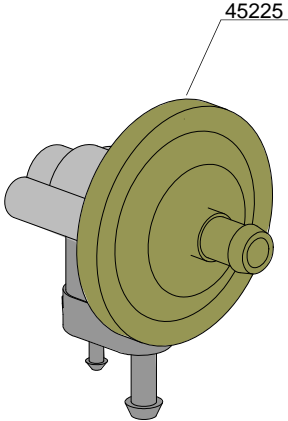
| ID | P-code | SN from | SN to | Mod. | Acces. | Volt | Description |
|--------------------------|--------|---------|-------|------|--------|------|---------------------|
| Module:DVGW valve | | | | | | | |
| 12305 | 11807 | | - | | dvgw | | Clamp aisi430 12/22 |
| 12310 | 15280 | | - | | dvgw | | Valve body center |
| 12315 | 15281 | | - | | dvgw | | Flat valve |
| 12320 | 15282 | | - | | dvgw | | Flat valve cover |
| 12325 | 15283 | | - | | dvgw | | Valve gasket |
| 12330 | 15284 | | - | | dvgw | | Sphere |
| 12335 | 15285 | | - | | dvgw | | O-ring 115 KTW |

i=INSULATED HOOD, em=ELECTROMECHANICAL SWITCHES

110H=110H

bt=BREAK TANK, bp=BOOSTER PUMP, dvgw=DVGW, ws=WATER SOFTNER, dd=DETERGENT DISPENSER, dp=DRAIN PUMP

A=3/N/PE~380-400V 50-60Hz, D=3/PE~200-210V 50-60Hz, F=2/PE~220-240V 50-60Hz, G=3/N/PE~415V 50-60Hz, H=3/PE~220-230V 50-60Hz, K=3/PE~380-400V 50-60Hz, L=3/PE~415V 50-60Hz, M=3/PE~440V 60Hz, P=1/N/PE~220-230V 50-60Hz, R=2/PE~220-240V 50-60Hz, U=1/N/PE~240V 50-60Hz, V=3/PE~240V 50-60Hz, W=1/N/PE~100-110V 50-60Hz



Spare parts

| ID | P-code | SN from | SN to | Mod. | Acces. | Volt | Description |
|--|---------|---------|-------|------|--------|------|--|
| Module: Rinse aid dispenser group | | | | | | | |
| 45225 | 10799/G | | - | em | | | Tecno Pro rinse aid dispenser |
| 45232 | 11807 | | - | em | | | Clamp 12/22 (min. 3 pz) |
| 45233 | 540104 | | - | em | | | Plastic 3 ways connection Ø 12-12-10mm |

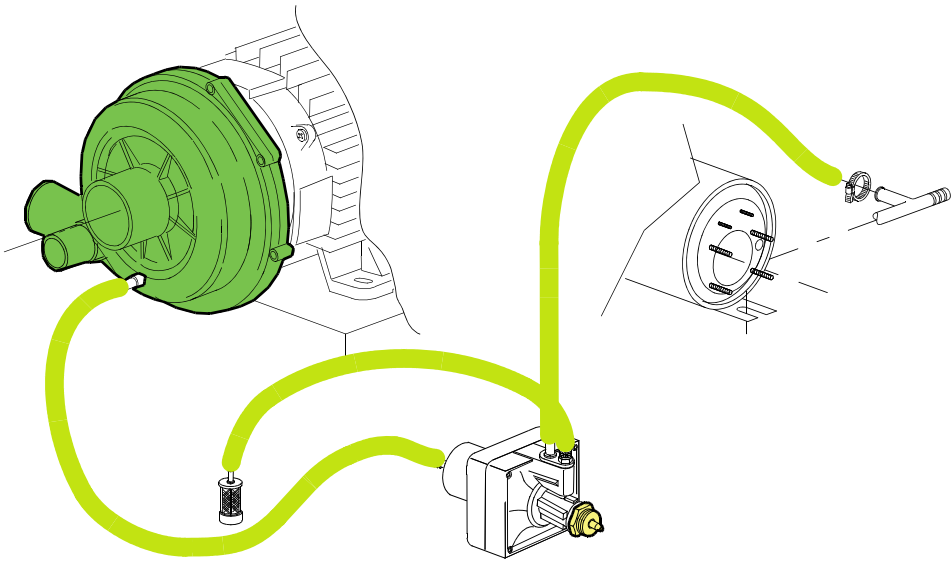
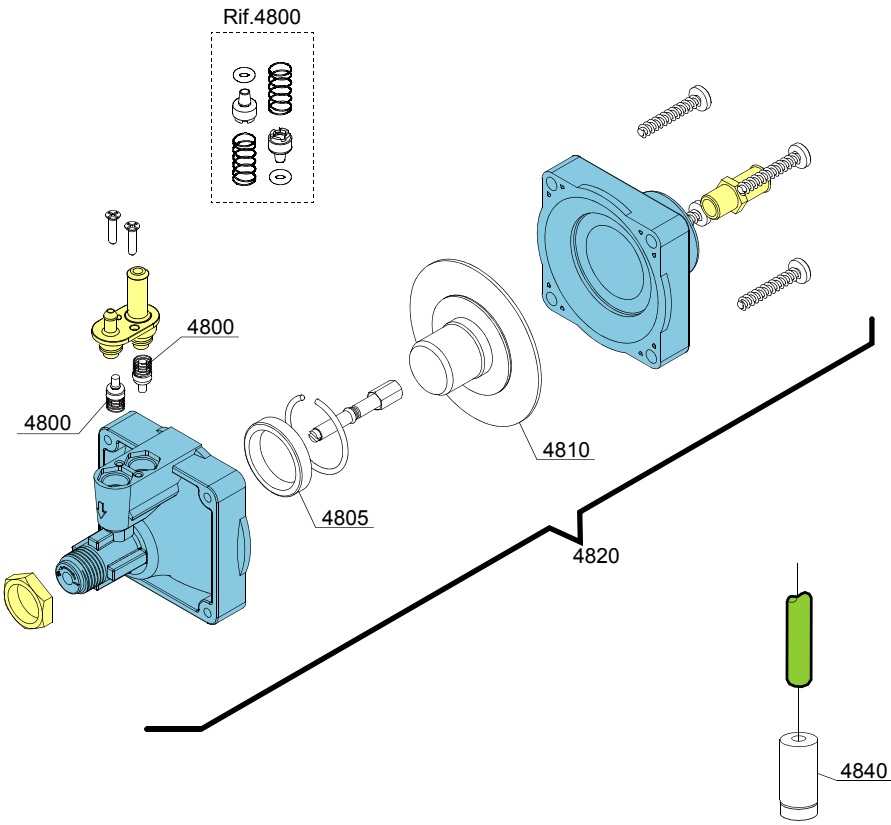
i=INSULATED HOOD, em=ELECTROMECHANICAL SWITCHES

110H=110H

bt=BREAK TANK, bp=BOOSTER PUMP, dvgw=DVGW, ws=WATER SOFTNER, dd=DETERGENT DISPENSER, dp=DRAIN PUMP

A=3/N/PE~380-400V 50-60Hz, D=3/PE~200-210V 50-60Hz, F=2/PE~220-240V 50-60Hz, G=3/N/PE~415V 50-60Hz, H=3/PE~220-230V 50-60Hz, K=3/PE~380-400V 50-60Hz, L=3/PE~415V 50-60Hz, M=3/PE~440V 60Hz, P=1/N/PE~220-230V 50-60Hz, R=2/PE~220-240V 50-60Hz, U=1/N/PE~240V 50-60Hz, V=3/PE~240V 50-60Hz, W=1/N/PE~100-110V 50-60Hz

Spare parts



Spare parts

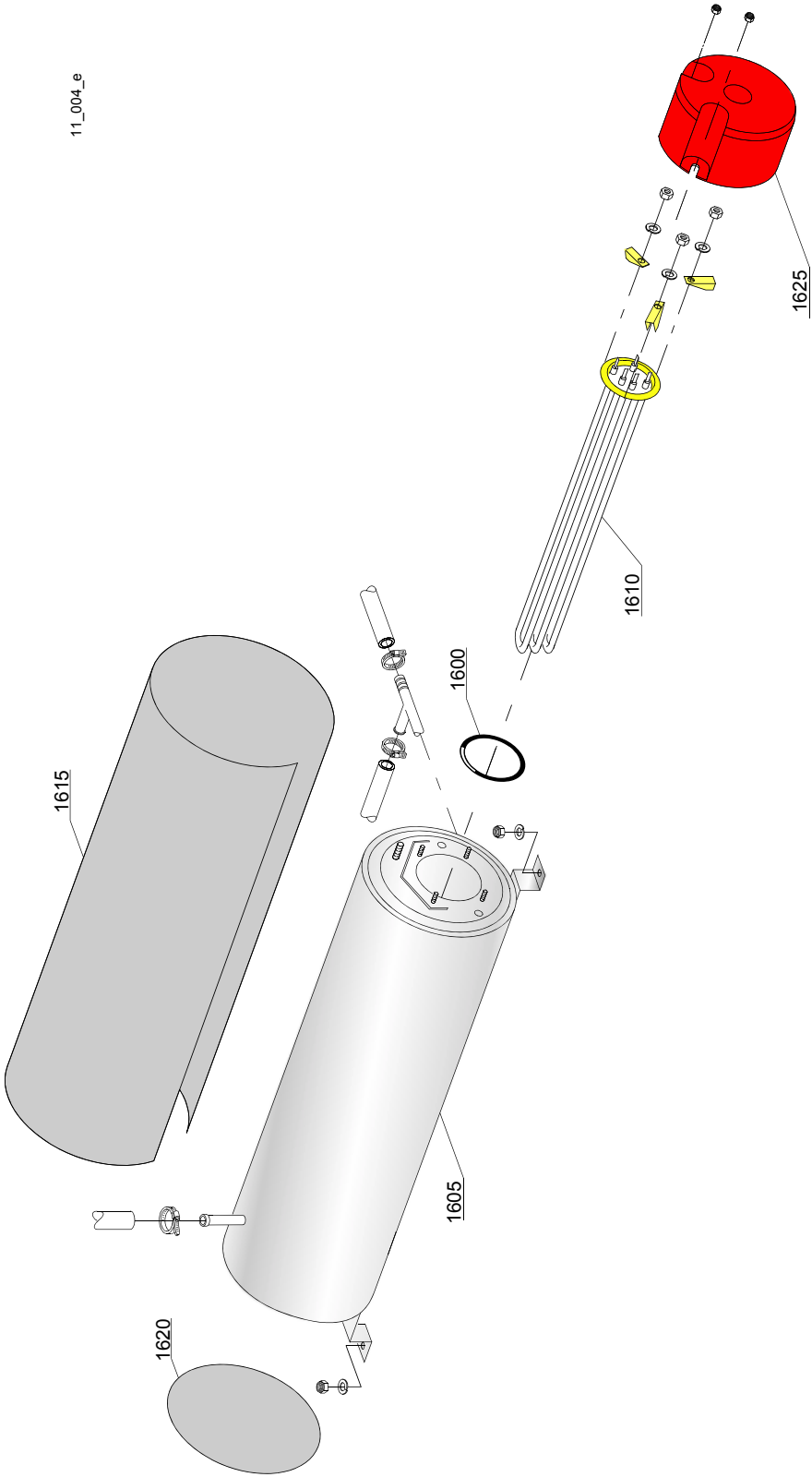
| ID | P-code | SN from | SN to | Mod. | Acces. | Volt | Description |
|--|--------|---------|-------|------|--------|------|---------------------------|
| Module: Rinse aid dispenser group | | | | | | | |
| 4800 | 10805 | | - | i | | | Tecnopro non return valve |
| 4805 | 10806 | | - | i | | | Ø22 O-ring |
| 4810 | 10807 | | - | i | | | Membrane |
| 4820 | 10799 | | - | i | | | Rinse aid dispenser |
| 4830 | 12525 | | - | i | | | Counter-weight |
| 4840 | 15058 | | - | i | | | Small filter |

i=INSULATED HOOD, em=ELECTROMECHANICAL SWITCHES

110H=110H

bt=BREAK TANK, bp=BOOSTER PUMP, dvgw=DVGW, ws=WATER SOFTNER, dd=DETERGENT DISPENSER, dp=DRAIN PUMP

A=3/N/PE~380-400V 50-60Hz, D=3/PE~200-210V 50-60Hz, F=2/PE~220-240V 50-60Hz, G=3/N/PE~415V 50-60Hz, H=3/PE~220-230V 50-60Hz, K=3/PE~380-400V 50-60Hz, L=3/PE~415V 50-60Hz, M=3/PE~440V 60Hz, P=1/N/PE~220-230V 50-60Hz, R=2/PE~220-240V 50-60Hz, U=1/N/PE~240V 50-60Hz, V=3/PE~240V 50-60Hz, W=1/N/PE~100-110V 50-60Hz



Spare parts

| ID | P-code | SN from | SN to | Mod. | Acces. | Volt | Description |
|----------------------------|------------|---------|-------|------|--------|------|---------------------------------------|
| Module:Boiler group | | | | | | | |
| 1600 | 13015 | | - | | | | O-ring |
| 1605 | 22002 | | - | | | | Boiler |
| 1605 | 75927 | | - | | | | AISI 316 boiler |
| 1610 | 30001010 | | - | | | | 6/6,53KW 230/240/3 heating element |
| 1610 | 30001011 | | - | | | | Element 9kW |
| 1610 | 30001011/A | | - | | | | 12/13,07KW 230/240V 3 heating element |
| 1615 | 30002030 | | - | | | | Insulation boiler |
| 1620 | 75205 | | - | | | | Ø160 end piece |
| 1625 | 75311 | | - | | | | Heating element cover |

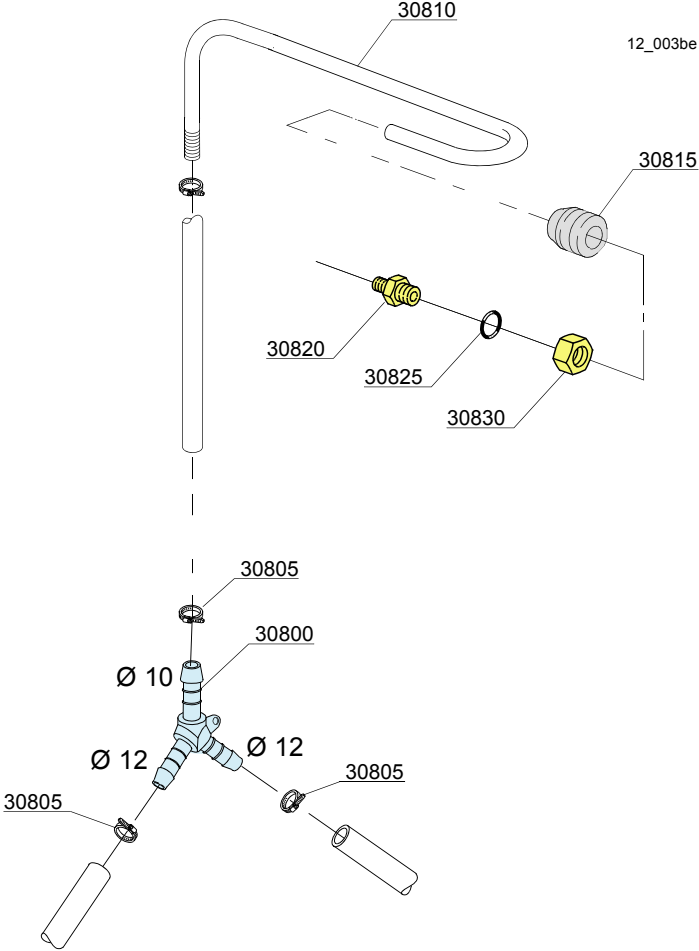
i=INSULATED HOOD, em=ELECTROMECHANICAL SWITCHES

110H=110H

bt=BREAK TANK, bp=BOOSTER PUMP, dvgw=DVGW, ws=WATER SOFTNER, dd=DETERGENT DISPENSER, dp=DRAIN PUMP

A=3/N/PE~380-400V 50-60Hz, D=3/PE~200-210V 50-60Hz, F=2/PE~220-240V 50-60Hz, G=3/N/PE~415V 50-60Hz, H=3/PE~220-230V 50-60Hz, K=3/PE~380-400V 50-60Hz, L=3/PE~415V 50-60Hz, M=3/PE~440V 60Hz, P=1/N/PE~220-230V 50-60Hz, R=2/PE~220-240V 50-60Hz, U=1/N/PE~240V 50-60Hz, V=3/PE~240V 50-60Hz, W=1/N/PE~100-110V 50-60Hz

Spare parts



Spare parts

| ID | P-code | SN from | SN to | Mod. | Acces. | Volt | Description |
|---------------------------------|---------|---------|-------|------|--------|------|---|
| Module:3 ways connection | | | | | | | |
| 30800 | 540104 | | - | i | | | Ø10-12-12 mm plastic 3 ways connection |
| 30805 | 11807 | | - | i | | | Clamp |
| 30810 | 76082 | | - | i | | | Rinse pipe |
| 30815 | 13304 | | - | i | | | Pipe |
| 30820 | 12006 | | - | i | | | Ø10 rinse pipe fitting |
| 30825 | 13003 | | - | i | | | OR 112 NBR O-ring |
| 30830 | 12006/A | | - | i | | | Ø10 pipe fitting 3/8x3,5 nut 19 hexagonal |

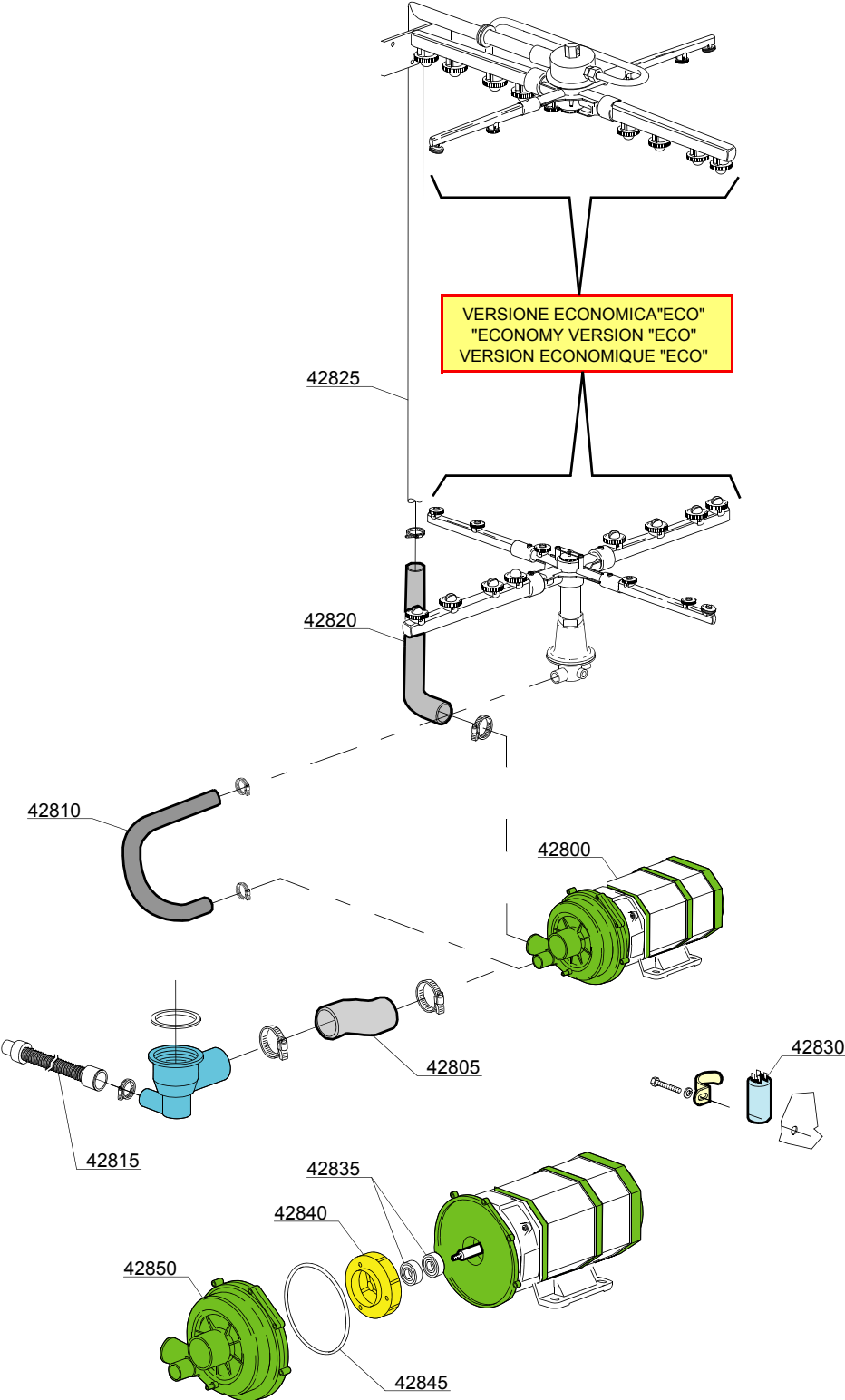
i=INSULATED HOOD, em=ELECTROMECHANICAL SWITCHES

110H=110H

bt=BREAK TANK, bp=BOOSTER PUMP, dvgw=DVGW, ws=WATER SOFTNER, dd=DETERGENT DISPENSER, dp=DRAIN PUMP

A=3/N/PE~380-400V 50-60Hz, D=3/PE~200-210V 50-60Hz, F=2/PE~220-240V 50-60Hz, G=3/N/PE~415V 50-60Hz, H=3/PE~220-230V 50-60Hz, K=3/PE~380-400V 50-60Hz, L=3/PE~415V 50-60Hz, M=3/PE~440V 60Hz, P=1/N/PE~220-230V 50-60Hz, R=2/PE~220-240V 50-60Hz, U=1/N/PE~240V 50-60Hz, V=3/PE~240V 50-60Hz, W=1/N/PE~100-110V 50-60Hz

Spare parts



13_124ae

Spare parts

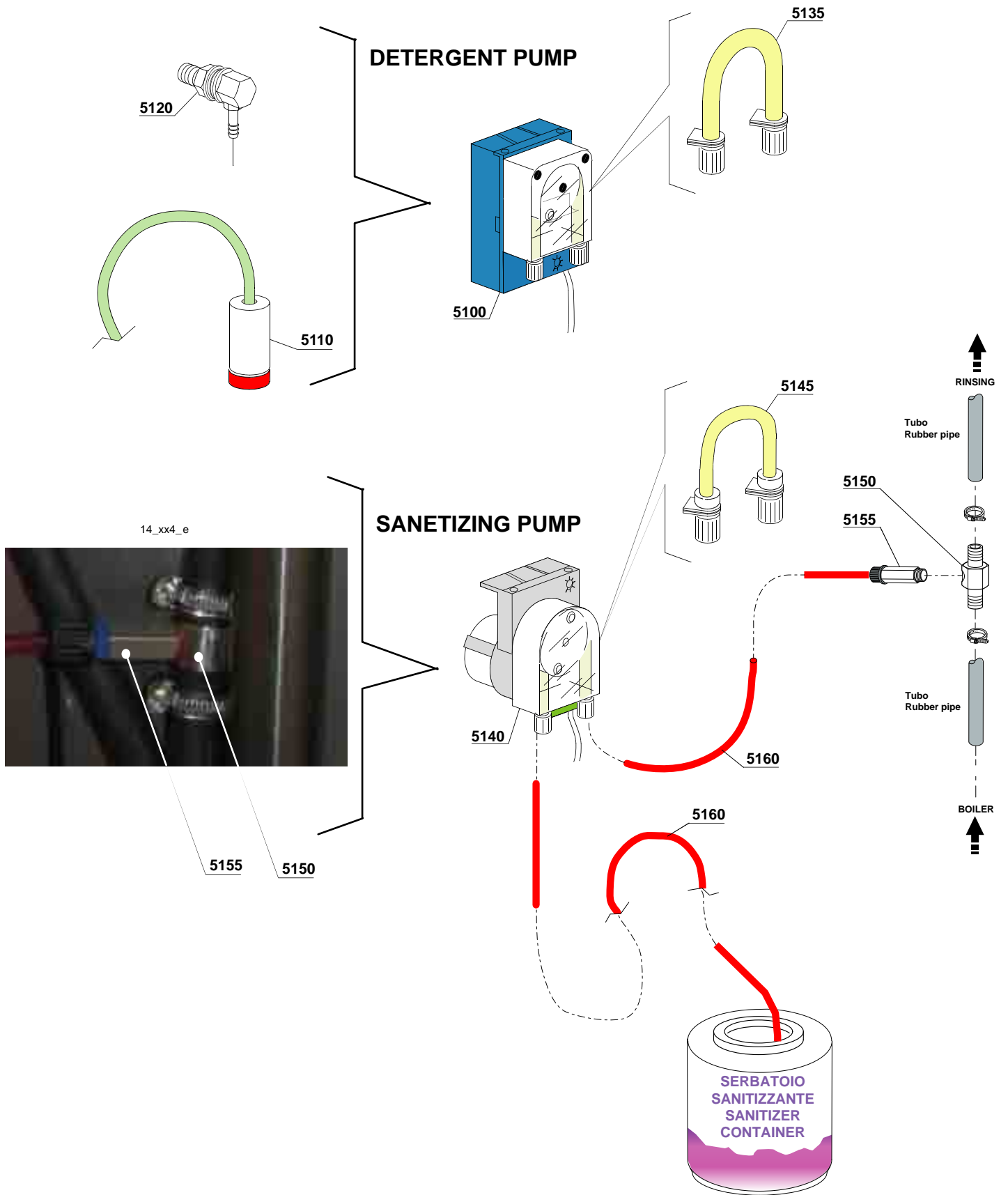
| ID | P-code | SN from | SN to | Mod. | Acces. | Volt | Description |
|--------------------------------|----------|---------|-------|------|--------|------|----------------------------|
| Module: Wash pump group | | | | | | | |
| 42800 | 15913 | | - | | | | wash pump 1,2Hp/0,9kW 50Hz |
| 42805 | 25032 | | - | | | | Suction pipe coupling |
| 42810 | 15033/A | | - | | | | Lower delivery wash pipe |
| 42815 | 10727 | | - | | | | Drain pipe |
| 42820 | 76078 | | - | | | | Top delivery pipe |
| 42825 | 11600103 | | - | | | | Wash ramp |
| 42830 | 15081/A | | - | | | | Condenser 16 uF |
| 42835 | 15080/E | | - | | | | Rotating seals |
| 42841 | 15079/I | | - | | | | Pump rotor |
| 42845 | 15080/A | | - | | | | O-ring |
| 42850 | 15078 | | - | | | | Scroll |

i=INSULATED HOOD, em=ELECTROMECHANICAL SWITCHES

110H=110H

bt=BREAK TANK, bp=BOOSTER PUMP, dvgw=DVGW, ws=WATER SOFTNER, dd=DETERGENT DISPENSER, dp=DRAIN PUMP

A=3/N/PE~380-400V 50-60Hz, D=3/PE~200-210V 50-60Hz, F=2/PE~220-240V 50-60Hz, G=3/N/PE~415V 50-60Hz, H=3/PE~220-230V 50-60Hz, K=3/PE~380-400V 50-60Hz, L=3/PE~415V 50-60Hz, M=3/PE~440V 60Hz, P=1/N/PE~220-230V 50-60Hz, R=2/PE~220-240V 50-60Hz, U=1/N/PE~240V 50-60Hz, V=3/PE~240V 50-60Hz, W=1/N/PE~100-110V 50-60Hz



Spare parts

| ID | P-code | SN from | SN to | Mod. | Acces. | Volt | Description |
|---|---------|---------|-------|------|--------|------|---|
| Module:Dosing detergent and sanitizing group | | | | | | | |
| 5100 | 15985 | | - | i | dd | | Detergent pump |
| 5110 | 15058 | | - | i | dd | | Small filter |
| 5120 | 15123 | | - | i | dd | | Complet Steel injector |
| 5135 | 15185 | | - | i | dd | | Thermoplastic pipe Ø 10 |
| 5140 | 15985/B | | - | i | dd | | Sanitizing pump |
| 5145 | 15186/T | | - | i | dd | | Thermoplastic pipe Ø 8 |
| 5150 | 3003906 | | - | i | dd | | Inox 3 ways connection - Sanitizing product |
| 5155 | 15122 | | - | i | dd | | 1/8 G (EPDM) no return valve |
| 5160 | 14511 | | - | i | dd | | PVC pipe 6x4 |
| | | | | | | | |

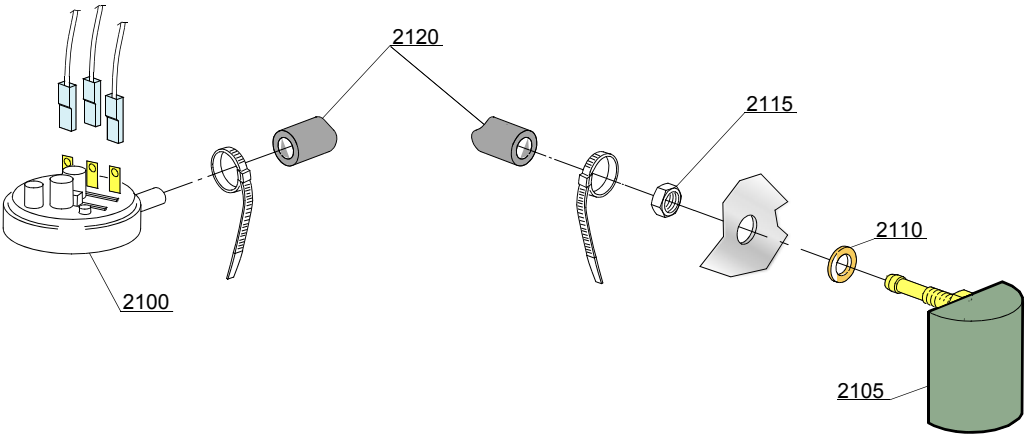
i=INSULATED HOOD, em=ELECTROMECHANICAL SWITCHES

110H=110H

bt=BREAK TANK, bp=BOOSTER PUMP, dvgw=DVGW, ws=WATER SOFTNER, dd=DETERGENT DISPENSER, dp=DRAIN PUMP

A=3/N/PE~380-400V 50-60Hz, D=3/PE~200-210V 50-60Hz, F=2/PE~220-240V 50-60Hz, G=3/N/PE~415V 50-60Hz, H=3/PE~220-230V 50-60Hz, K=3/PE~380-400V 50-60Hz, L=3/PE~415V 50-60Hz, M=3/PE~440V 60Hz, P=1/N/PE~220-230V 50-60Hz, R=2/PE~220-240V 50-60Hz, U=1/N/PE~240V 50-60Hz, V=3/PE~240V 50-60Hz, W=1/N/PE~100-110V 50-60Hz

Spare parts



16_001_e

Spare parts

| ID | P-code | SN from | SN to | Mod. | Acces. | Volt | Description |
|---|----------|---------|-------|------|--------|------|---------------------------------------|
| Module:Pressure switch group with air trap | | | | | | | |
| 2100 | 10706/A | | - | | | | 46-26 pressure switch |
| 2105 | 135911/B | | - | | | | Air trap |
| 2110 | 13301 | | - | i | | | Gasket |
| 2115 | 11702 | | - | i | | | Nut |
| 2120 | 14508 | | - | | | | 4,5x9 EPDM rubber hose (minimum 2 mt) |

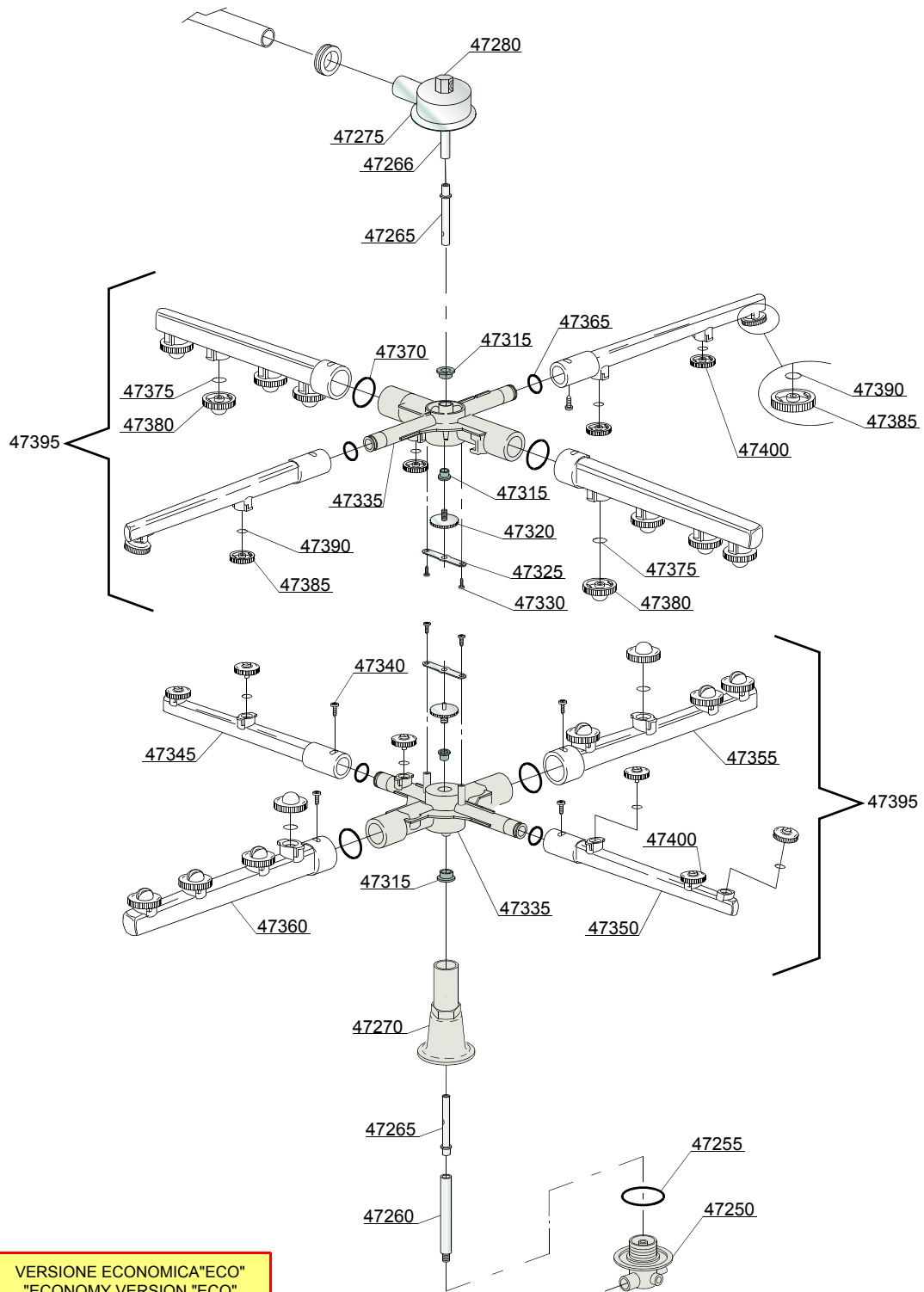
i=INSULATED HOOD, em=ELECTROMECHANICAL SWITCHES

110H=110H

bt=BREAK TANK, bp=BOOSTER PUMP, dvgw=DVGW, ws=WATER SOFTNER, dd=DETERGENT DISPENSER, dp=DRAIN PUMP

A=3/N/PE~380-400V 50-60Hz, D=3/PE~200-210V 50-60Hz, F=2/PE~220-240V 50-60Hz, G=3/N/PE~415V 50-60Hz, H=3/PE~220-230V 50-60Hz, K=3/PE~380-400V 50-60Hz, L=3/PE~415V 50-60Hz, M=3/PE~440V 60Hz, P=1/N/PE~220-230V 50-60Hz, R=2/PE~220-240V 50-60Hz, U=1/N/PE~240V 50-60Hz, V=3/PE~240V 50-60Hz, W=1/N/PE~100-110V 50-60Hz

Spare parts



17_139_e

Spare parts

| ID | P-code | SN from | SN to | Mod. | Acces. | Volt | Description |
|---|---------|---------|-------|------|--------|------|--|
| Module:Turret group with rotating arms | | | | | | | |
| 47250 | 500612 | | - | em | | | Top/lower turret |
| 47255 | 13015 | | - | em | | | 6225 OR 160 NBR O-ring |
| 47260 | 76084 | | - | em | | | Inferior rinse axle |
| 47265 | 15300 | | - | em | | | Ø10x51 lower/top rinse axle |
| 47266 | 76085 | | - | em | | | Top rinse axle |
| 47270 | 76077 | | - | em | | | Lower pipe coupling |
| 47275 | 76083 | | - | em | | | Stainless steel turret |
| 47280 | 75319 | | - | em | | | Rinse elbow |
| 47315 | 13319 | | - | em | | | Sliding washer (minimum 4 pieces) |
| 47320 | 11101/I | | - | em | | | Stainless steel group fixing screw |
| 47325 | 10260 | | - | em | | | Blocking ring nut rotor plaque (minimum 10 pieces) |
| 47330 | 11004 | | - | em | | | 4x10 TCB Ø8 spax toothed screw |
| 47335 | 500755 | | - | em | | | Under / upper turret wash rotor |
| 47340 | 11004 | | - | em | | | 4x10 TCB Ø8 spax toothed screw |
| 47345 | 500751 | | - | em | | | Right rinse arm |
| 47350 | 500752 | | - | em | | | Left rinse arm |
| 47355 | 500753 | | - | em | | | Right wash pipe |
| 47360 | 500754 | | - | em | | | Left wash pipe |
| 47365 | 13002 | | - | em | | | OR R6 NBR O-ring (minimum 10 pieces) |
| 47370 | 13025 | | - | em | | | OR 2081 O-ring (minimum 10 pieces) |
| 47375 | 13009 | | - | em | | | OR 2050 NBR O-ring (minimum 10 pieces) |
| 47380 | 10369 | | - | em | | | Opened wash nozzle (minimum 2 pieces) |
| 47385 | 10371 | | - | em | | | Open rinse nozzle |
| 47390 | 13002 | | - | em | | | OR R6 NBR O-ring (minimum 10 pieces) |
| 47395 | 500750 | | - | em | | | Grey wash/rinse lower/upper distributor |
| 47400 | 10372 | | - | em | | | Closer rinse nozzle |

i=INSULATED HOOD, em=ELECTROMECHANICAL SWITCHES

110H=110H

bt=BREAK TANK, bp=BOOSTER PUMP, dvgw=DVGW, ws=WATER SOFTNER, dd=DETERGENT DISPENSER, dp=DRAIN PUMP

A=3/N/PE~380-400V 50-60Hz, D=3/PE~200-210V 50-60Hz, F=2/PE~220-240V 50-60Hz, G=3/N/PE~415V 50-60Hz, H=3/PE~220-230V 50-60Hz, K=3/PE~380-400V 50-60Hz, L=3/PE~415V 50-60Hz, M=3/PE~440V 60Hz, P=1/N/PE~220-230V 50-60Hz, R=2/PE~220-240V 50-60Hz, U=1/N/PE~240V 50-60Hz, V=3/PE~240V 50-60Hz, W=1/N/PE~100-110V 50-60Hz