

# WAREWASHER

ELECTRONICAL SWITCHES  
DOUBLE BODY VERSION  
LOWER AND UPPER VERSION

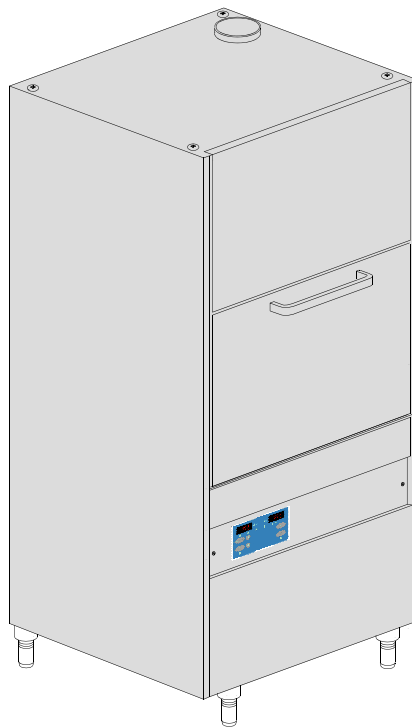
TYPE: 80E

Accessories  
BOOSTER PUMP  
DETERGENT DISPENSER  
DRAIN PUMP

---

## Spare Parts Manual

---



## INFORMAZIONI GENERALI

Questo catalogo serve per richiedere con esattezza le parti di ricambio

Nelle ordinazioni indicare:

1) il numero dei codici dei particolari seguito dalla descrizione e la quantità desiderata;

2) Il codice alfa-numerico presente nella seconda colonna della tabella ;

**I disegni delle parti di ricambio sono solo indicativi e non rappresentano il pezzo in oggetto.**

**I dati contenuti in questo catalogo sono indicativi e possono essere soggetti a modifiche senza impegno di preavviso.**

## ALLGEMEINE INFORMATIONEN

Dieser Ersatzteilkatalog dient zur genauen Angabe der Teile bei Ersatzteilbestellungen.

Bei Ersatzbestellung ist folgendes anzugeben:

1) Die Bestellnummer der Ersatzteile mit der entsprechenden Beschreibung genaue Menge;

2) Der alpha-numerischer Code auf der zweiten Reihe in dein Spalte;

**Die Zeichnungen der Ersatzteile sind nur als Hinweise gedacht und stellen nicht das betroffene Teil dar.**

**Bei den im Katalog angeführten Daten handelt es sich um Anhaltsdaten, die jederzeit, ohne Vorankündigung, geändert werden können.**

## GENERAL INFORMATION

The present spare parts order exactly the right spare parts

When ordering specify:

1) the part's code number followed by its description and quantity needed;

2) The alpha-numeric code is in the second column in the chart;

**Spare parts drawings are general and do not represent the part.**

**The contents of this catalogue are general and can undergo changes without prior notice.**

## INFORMACIONES GENERALES

El presente catálogo sirve para pedir con exactitud las partes de repuesto

En los pedidos se debe indicar:

1) el número de código de la parte y a continuación la descripción cantidad deseada;

2) El código alfanumerico presente en la signada columna de la tabla;

**Los diseños de las partes de recambio son solo indicativos y no representan la pieza en cuestión.**

**Los datos contenidos en el presente catálogo son indicativos y pueden modificarse sin aviso previo.**

## INFORMATIONS GENERALES

Ce catalogue permet de commander correctement les pièces détachées

Les commandes doivent être passées en indiquant:

1) le numero de code des pièces détachées suivi de leur description quantité désirée;

2) le code alphanumérique dans la deuxième colonne du tableau;

**Les plans des pièces détachées sont fournis seulement à titre indicatif et ne représentent pas la pièce concernée.**

**Les données de ce catalogue sont citées seulement à titre indicatif et peuvent être l'objet de modifications sans avis préalable.**

ESEMPIO  
EXAMPLE  
EXEMPLE  
BEISPIEL

| Rif.               | Codici  |
|--------------------|---------|
| MODULE:Particolari |         |
| 10505              | 540903  |
| 10510              | 540908  |
| 10515              | 15065/A |
| 10520              | 540086  |
| 10525              | 540028  |



## Note

Tutte le informazioni riportate si intendono aggiornate alla data di stampa. Il Produttore si riserva il diritto di apportare qualsiasi modifica richiesta dallo sviluppo evolutivo dei suddetti prodotti.

Per la sicurezza, la garanzia, l'affidabilità ed il valore della lavastoviglie usa solo ricambi originali. **Per alcuni codici, sono richieste quantità minime d'ordine.**



## Attenzione

Questo libretto è parte integrante della lavastoviglie e, in caso di passaggio di proprietà, deve essere consegnato al nuovo acquirente.



## Remarque

Toutes les informations contenues dans ce manuel s'entendent mises à jour à la date d'impression. En raison du développement constant de ses produits, usine se réserve le droit d'apporter à tout instant les modifications qu'elle jugera utiles.

Pour la sécurité, la garantie, la fiabilité et la valeur de votre lave-vaisselles n'utilisez que des pièces de rechange d'origine. **Pour quelque référence on demande un minimum de pièces par commande**



## Attention

Ce manuel doit être considéré comme partie intégrante de la lave-vaisselles, en cas de transfert de propriété, doit toujours être remis au nouveau propriétaire.



## Note

The information contained herein is valid at the time of going to print. The Company reserves the right to make any changes required by the future development of the above-mentioned products.

For your safety, as well as to preserve the warranty reliability and worth of your dishwashers, use original spare parts only. **For some codes a minimum quantity for order is required.**



## Warning

This manual forms an integral part of the dishwashers and - if a transfer of title occurs - must always be handed over to the new owner.



## Hinweis

Die Der Hersteller behält sich das Recht vor, jegliche, durch eine Weiterentwicklung der genannten Produkte bedingte Änderungen vornehmen zu können.

Verwenden Sie für Ihre Sicherheit, die Garantie, die Zuverlässigkeit und den Wert Ihrer machine originale Ersatzteile. **Für bestimmte Code nummer werden mindesten bestellungen verlangt.**



## Achtung

Diese Betriebsanleitung ist Bestandteil des machine und muss bei seinem Weiterverkauf dem neuen Besitzer ausgehändigt werden.



---

**Code** DW 999XXXXXX  
**Model DESCRIPTION**  
**S/N** DW A 1015770 Type .....

400V 3N 50HZ 8A 500W  
 3500W



**IPX3**

Pressione Dinamica alimentazione idrica 200-500 kPa  
 Pression dynamique arrivee d'eau  
 Dynamic pressure water supply  
 Dynamischer Druck asserreinlauf

Pressione dinamica vapore saturo  
 Pression dynamique vapeur satuee  
 Dymanischer Druck gesattigter Dampf  
 Pression Dinamica Vapor Saturado

**CL/Part**

(N)

**TECHICAL SPECIFICATION**

**MADE IN ITALY**

Temperatura massima acqua in ingresso 60°C  
 Temperature max eau a l'entre  
 Maximale Temperatur Wasseranschlu  
 Maximum Water temperature in-feeding

---

Model 

S/N 





## 1. Spare parts

|  |           |
|--|-----------|
| <b>General body parts.....</b>                 | <b>7</b>  |
| <b>Lockup system .....</b>                     | <b>9</b>  |
| <b>Control panel and switches.....</b>         | <b>11</b> |
| <b>Electronic control HACCP .....</b>          | <b>13</b> |
| <b>Electric control components.....</b>        | <b>15</b> |
| <b>Solenoid valve group .....</b>              | <b>17</b> |
| <b>Rinse with steady temperature.....</b>      | <b>19</b> |
| <b>Rinse aid dispenser group.....</b>          | <b>21</b> |
| <b>Wash pump .....</b>                         | <b>23</b> |
| <b>Dosing detergent group.....</b>             | <b>25</b> |
| <b>Drain pump group.....</b>                   | <b>27</b> |
| <b>Pressure switch group with air trap ...</b> | <b>29</b> |
| <b>Turret group with rotating arms .....</b>   | <b>31</b> |

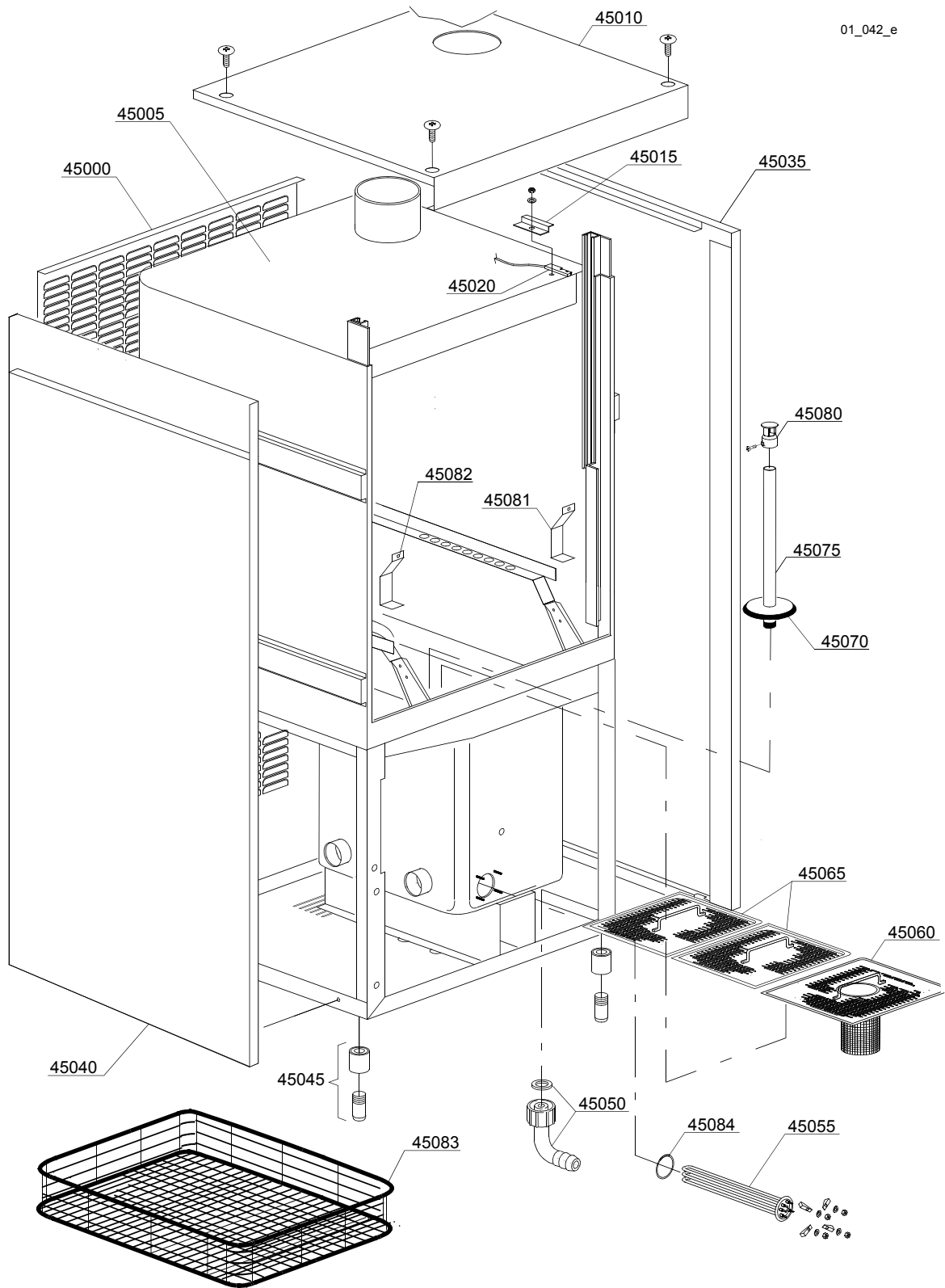


## 1.1 Voltage codes

| Volt | Voltage code            |
|------|-------------------------|
| A    | 3/N/PE~380-400V 50-60Hz |
| D    | 3/PE~200-210V 50-60Hz   |
| F    | 2/PE~220-240V 50-60Hz   |
| G    | 3/N/PE~415V 50-60Hz     |
| H    | 3/PE~220-230V 50-60Hz   |
| K    | 3/PE~380-400V 50-60Hz   |
| L    | 3/PE~415V 50-60Hz       |
| M    | 3/PE~440V 60Hz          |
| P    | 1/N/PE~220-230V 50-60Hz |
| R    | 2/PE~220-240V 50-60Hz   |
| U    | 1/N/PE~240V 50-60Hz     |
| V    | 3/PE~240V 50-60Hz       |
| W    | 1/N/PE~100-110V 50-60Hz |

## 1.2 Product codes

| Product code    | Full name               |
|-----------------|-------------------------|
| Model codes     |                         |
| e               | ELECTRONICAL SWITCHES   |
| dc              | DOUBLE BODY VERSION     |
| uw              | LOWER AND UPPER VERSION |
| Type codes      |                         |
| 80E             | 80E                     |
| Accessory codes |                         |
| bp              | BOOSTER PUMP            |
| dd              | DETERGENT DISPENCER     |
| dp              | DRAIN PUMP              |





## Spare parts

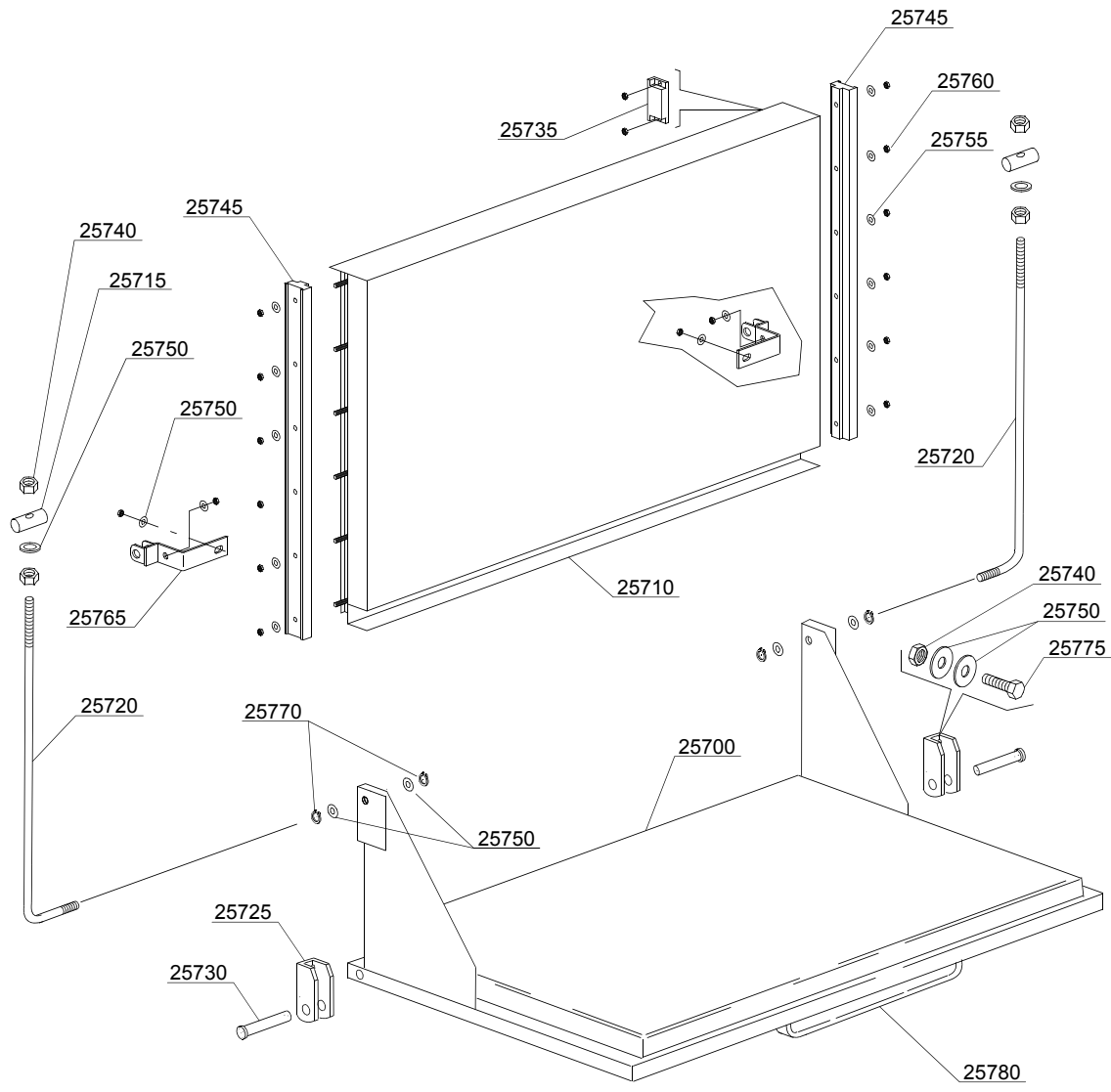
| ID                               | P-code   | SN from | SN to | Mod. | Acces. | Volt            | Description                           |
|----------------------------------|----------|---------|-------|------|--------|-----------------|---------------------------------------|
| <b>Module:General body parts</b> |          |         |       |      |        |                 |                                       |
| 45000                            | 91004    |         | -     | e,dc |        |                 | Back panel                            |
| 45005                            | 91000    |         | -     | e,dc |        |                 | Body with complete door               |
| 45010                            | 91005    |         | -     | e,dc |        |                 | Tank                                  |
| 45015                            | 3009112  |         | -     | e,dc |        |                 | Support microswitch                   |
| 45020                            | 3003112  |         | -     | e,dc |        |                 | Door microswitch                      |
| 45035                            | 91002    |         | -     | e,dc |        |                 | Right lower panel                     |
| 45040                            | 91003    |         | -     | e,dc |        |                 | Left lower panel                      |
| 45045                            | 15116    |         | -     | e,dc |        |                 | Foot                                  |
| 45050                            | 15613    |         | -     | e,dc |        |                 | Elbow 1¼"                             |
| 45055                            | 30001010 |         | -     | e,dc |        | A,H,K,L,P,R,U,V | Heating element 6000/6530W 230/240V 3 |
| 45060                            | 11600906 |         | -     | e,dc |        |                 | Front surface filter                  |
| 45065                            | 11600907 |         | -     | e,dc |        |                 | Back surface filter                   |
| 45070                            | 11600002 |         | -     | e,dc |        |                 | Packing to flange                     |
| 45075                            | 91101    |         | -     | e,dc |        |                 | Overflow pipe tube                    |
| 45080                            | 11600019 |         | -     | e,dc |        |                 | End overflow pipe tube                |
| 45081                            | 80936    |         | -     | e,dc |        |                 | Right splash guard                    |
| 45082                            | 80937    |         | -     | e,dc |        |                 | Left splash guard                     |
| 45083                            | 91100    |         | -     | e,dc |        |                 | Inox rack 700x700                     |
| 45084                            | 13015    |         | -     | e,dc |        |                 | O-ring 6225 OR 160 NBR                |

e=ELECTRONICAL SWITCHES, dc=DOUBLE BODY VERSION, uw=LOWER AND UPPER VERSION  
80E=80E

bp=BOOSTER PUMP, dd=DETERGENT DISPENCER, dp=DRAIN PUMP

A=3/N/PE~380-400V 50-60Hz, D=3/PE~200-210V 50-60Hz, F=2/PE~220-240V 50-60Hz, G=3/N/PE~415V 50-60Hz,  
H=3/PE~220-230V 50-60Hz, K=3/PE~380-400V 50-60Hz, L=3/PE~415V 50-60Hz, M=3/PE~440V 60Hz, P=1/N/PE~220-  
230V 50-60Hz, R=2/PE~220-240V 50-60Hz, U=1/N/PE~240V 50-60Hz, V=3/PE~240V 50-60Hz, W=1/N/PE~100-110V  
50-60Hz

02\_130\_e



## Spare parts

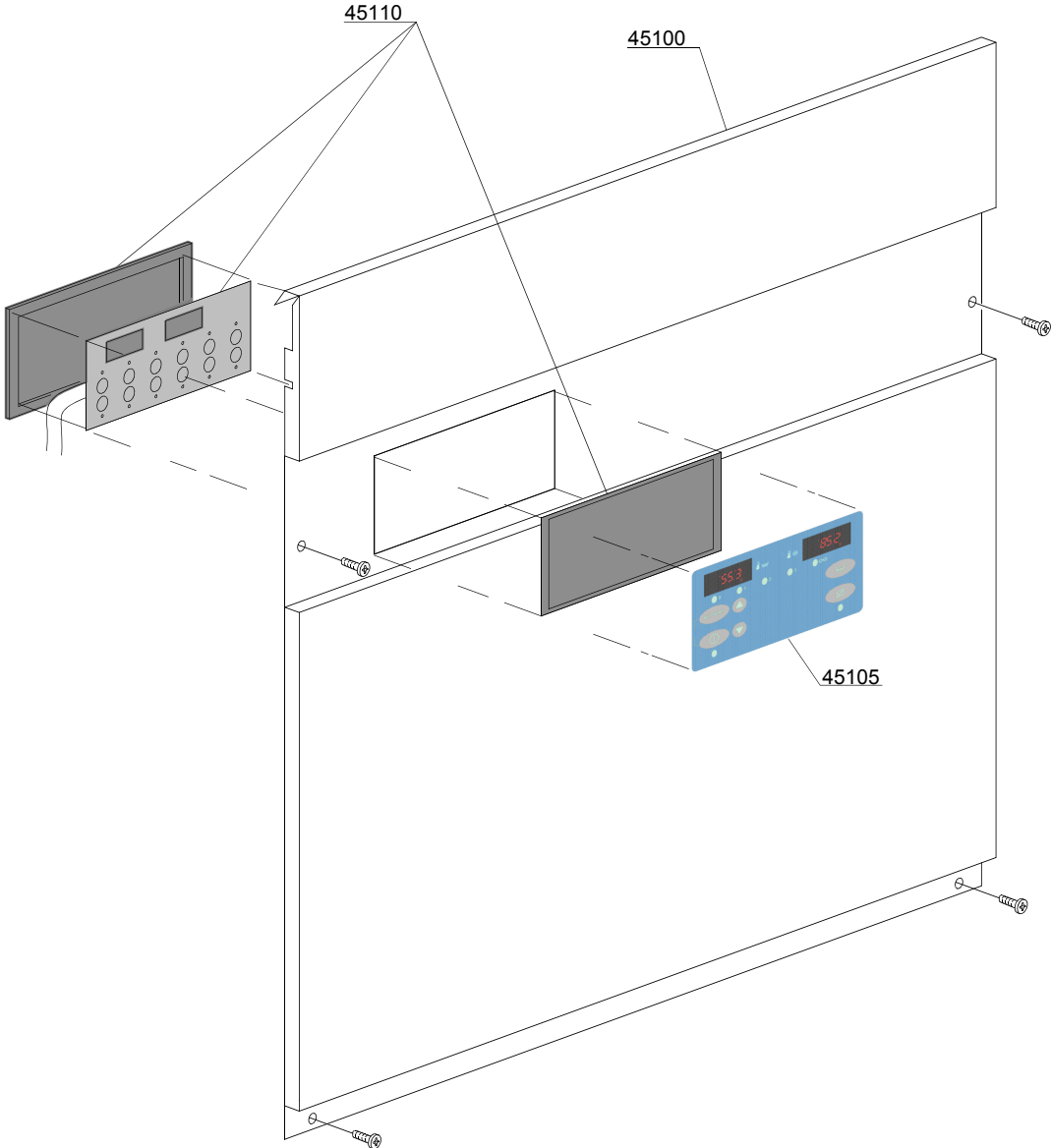
| ID                           | P-code  | SN from | SN to | Mod. | Acces. | Volt | Description                                     |
|------------------------------|---------|---------|-------|------|--------|------|---|
| <b>Module: Lockup system</b> |         |         |       |      |        |      |   |
| 25700                        | 91000/A |         | -     | e    |        |      | Door with steel handle                          |
| 25710                        | 91000/B |         | -     | e    |        |      | Upper door                                      |
| 25715                        | 22219   |         | -     | e    |        |      | Door rod pin                                    |
| 25720                        | 22220   |         | -     | e    |        |      | Door rod  |
| 25725                        | 22206/B |         | -     | e    |        |      | Door hinge                                      |
| 25730                        | 22220/A |         | -     | e    |        |      | Pin for door                                    |
| 25735                        | 80232   |         | -     | e    |        |      | Reed magnet                                     |
| 25740                        | 11721   |         | -     | e    |        |      | Nut (minmum 10 pieces)                          |
| 25745                        | 90024   |         | -     | e    |        |      | Slide for door                                  |
| 25750                        | 11177   |         | -     | e    |        |      | Ø6x12 Plain washer (minimum 10 pieces)          |
| 25755                        | 11176   |         | -     | e    |        |      | Ø 5 Plain washer (minimum 20 pieces)            |
| 25760                        | 11169   |         | -     | e    |        |      | M5 inox-nut (minmum 10 pieces)                  |
| 25765                        | 90916   |         | -     | e    |        |      | Door movement support                           |
| 25770                        | 11815   |         | -     | e    |        |      | Ø8 stainless steel snap ring (minimum 5 pieces) |
| 25775                        | 11104/B |         | -     | e    |        |      | M6x16 stainless steel screw (minimum 5 pieces)  |
| 25780                        | 80750   |         | -     | e    |        |      | Stainless steel handle                          |

e=ELECTRONICAL SWITCHES, dc=DOUBLE BODY VERSION, uw=LOWER AND UPPER VERSION

80E=80E

bp=BOOSTER PUMP, dd=DETERGENT DISPENCER, dp=DRAIN PUMP

A=3/N/PE~380-400V 50-60Hz, D=3/PE~200-210V 50-60Hz, F=2/PE~220-240V 50-60Hz, G=3/N/PE~415V 50-60Hz, H=3/PE~220-230V 50-60Hz, K=3/PE~380-400V 50-60Hz, L=3/PE~415V 50-60Hz, M=3/PE~440V 60Hz, P=1/N/PE~220-230V 50-60Hz, R=2/PE~220-240V 50-60Hz, U=1/N/PE~240V 50-60Hz, V=3/PE~240V 50-60Hz, W=1/N/PE~100-110V 50-60Hz



03\_064\_e

## Spare parts

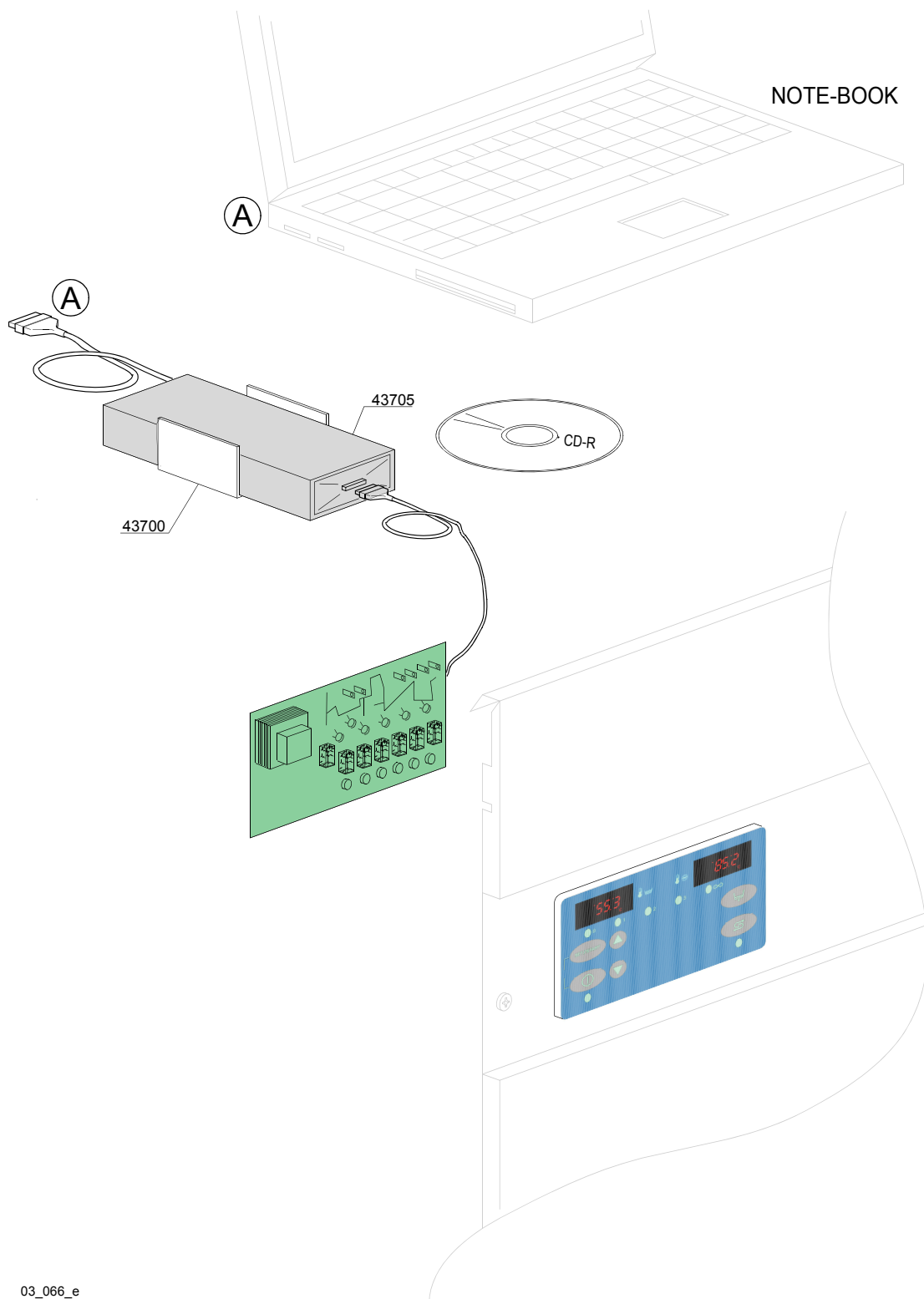
| ID                                       | P-code  | SN from | SN to | Mod | Acces. | Volt | Description   |
|--|---------|---------|-------|-----|--------|------|---|
| <b>Module:Control panel and switches</b> |         |         |       |     |        |      |   |
| 45100                                    | 91006   |         | -     | e   |        |      | Control panel   |
| 45105                                    | 50571   |         | -     | e   |        |      | Silkscreen processed grill membrane push button-driver dp+ws(D)         |
| 45105                                    | 50575   |         | -     | e   |        |      | Neutral silkscreen processed grill membrane push button-driver dp+ws(N) |
| 45105                                    | 50578   |         | -     | e   |        |      | Silkscreen processed grill membrane push button-driver dp+ws(K)         |
| 45110                                    | 50570/D |         | -     | e   |        |      | Compleat membrane push button-driver PLUS                               |
| 45110                                    | 50570/A |         | -     | e   |        |      | Compleat membrane push button-driver PLUS [ Steam version ]             |

e=ELECTRONICAL SWITCHES, dc=DOUBLE BODY VERSION, uw=LOWER AND UPPER VERSION

80E=80E

bp=BOOSTER PUMP, dd=DETERGENT DISPENCER, dp=DRAIN PUMP

A=3/N/PE~380-400V 50-60Hz, D=3/PE~200-210V 50-60Hz, F=2/PE~220-240V 50-60Hz, G=3/N/PE~415V 50-60Hz, H=3/PE~220-230V 50-60Hz, K=3/PE~380-400V 50-60Hz, L=3/PE~415V 50-60Hz, M=3/PE~440V 60Hz, P=1/N/PE~220-230V 50-60Hz, R=2/PE~220-240V 50-60Hz, U=1/N/PE~240V 50-60Hz, V=3/PE~240V 50-60Hz, W=1/N/PE~100-110V 50-60Hz



03\_066\_e

## Spare parts

---

| ID                                     | P-code   | SN from | SN to | Mod. | Acces. | Volt | Description              |
|--|----------|---------|-------|------|--------|------|--------------------------|
| <b>Module:Electronic control HACCP</b> |          |         |       |      |        |      |                          |
| 43700                                  | 3060200  |         | -     | e    |        |      | Support DATA-LOGGER      |
| 43705                                  | 99910217 |         | -     | e    |        |      | Kit remote control HACCP |

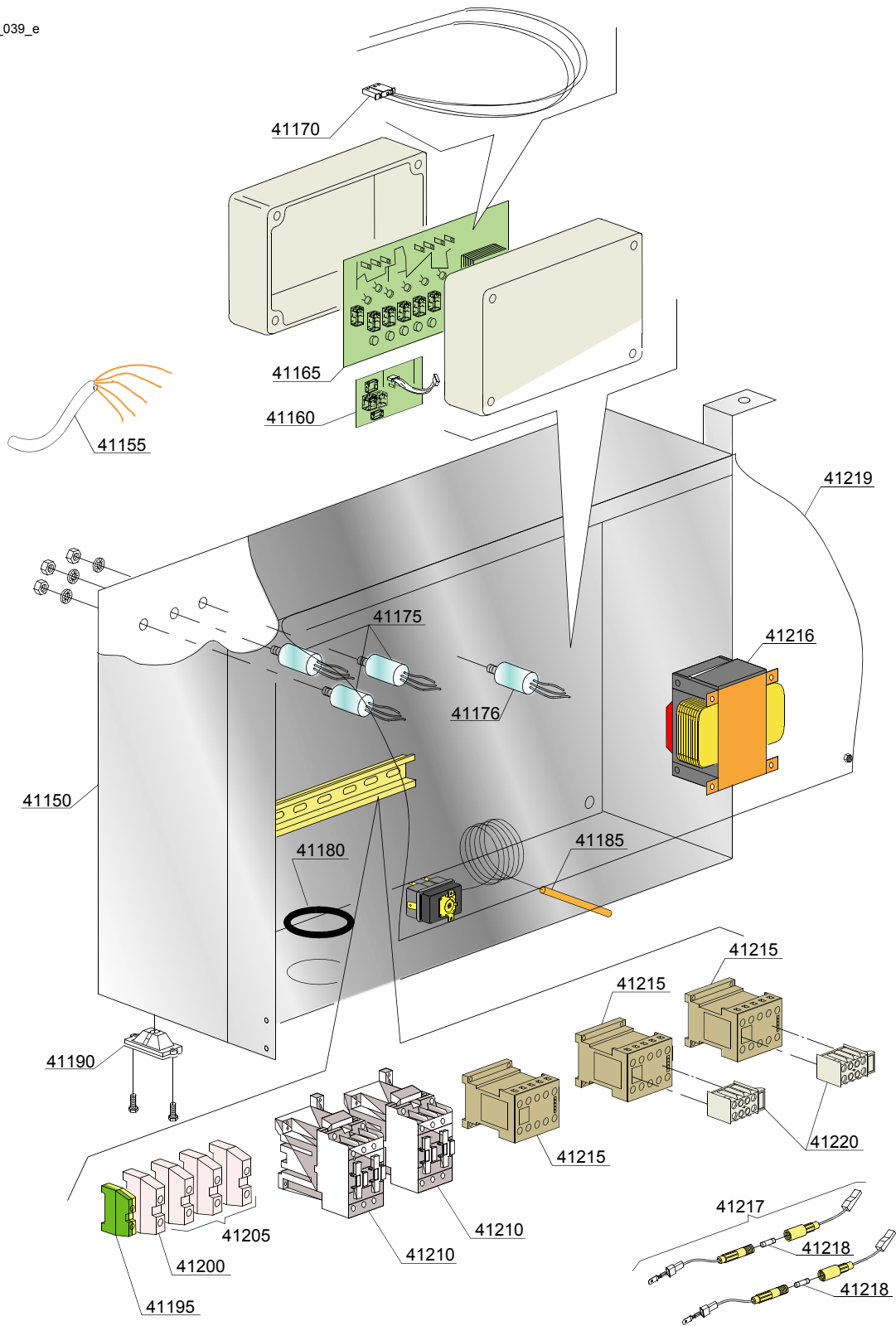
e=ELECTRONICAL SWITCHES, dc=DOUBLE BODY VERSION, uw=LOWER AND UPPER VERSION

80E=80E

bp=BOOSTER PUMP, dd=DETERGENT DISPENCER, dp=DRAIN PUMP

A=3/N/PE~380-400V 50-60Hz, D=3/PE~200-210V 50-60Hz, F=2/PE~220-240V 50-60Hz, G=3/N/PE~415V 50-60Hz, H=3/PE~220-230V 50-60Hz, K=3/PE~380-400V 50-60Hz, L=3/PE~415V 50-60Hz, M=3/PE~440V 60Hz, P=1/N/PE~220-230V 50-60Hz, R=2/PE~220-240V 50-60Hz, U=1/N/PE~240V 50-60Hz, V=3/PE~240V 50-60Hz, W=1/N/PE~100-110V 50-60Hz

04\_039\_e





## Spare parts

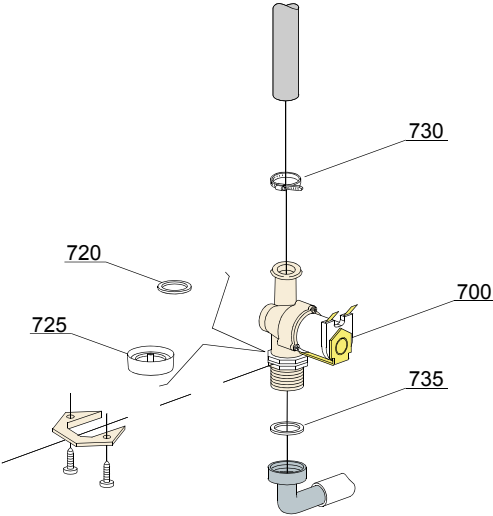
| ID  | P-code   | SN from | SN to | Mod. | Acces. | Volt        | Description  |
|---|----------|---------|-------|------|--------|-------------|--|
| <b>Module:Electric control components</b> |          |         |       |      |        |             |  |
| 41150                                     | 91001    |         | -     | e    |        |             | Electrical control panell                            |
| 41155                                     | 80200    |         | -     | e    |        | A,G         | Power supply cable 5x4x3400                          |
| 41155                                     | 75359    |         | -     | e    |        | A,G         | Power supply cable anti-flame 4x6x3400               |
| 41160                                     | 50559    |         | -     | e    |        |             | Electronic Timer optional+On-Board EXP-PS            |
| 41165                                     | 50569    |         | -     | e    |        |             | Fiche sans chip                                      |
| 41170                                     | 50562    |         | -     | e    |        |             | DIHR ECO-2 Sensor                                    |
| 41175                                     | 15149    |         | -     | e    |        | A,H,K,P     | Filter F3 (0,33 mF)                                  |
| 41176                                     | 15187    |         | -     | e    |        | A,H,K,P     | Filter F3 440 VaC 3                                  |
| 41180                                     | 13324    |         | -     | e    |        |             | Lead through rubber Ø46x50                           |
| 41185                                     | 2000430  |         | -     | e    |        | A,H,K,P     | 90/110 1500 PVC Thermostat                           |
| 41190                                     | 15065/A  |         | -     | e    |        |             | Cable press with lives                               |
| 41195                                     | 10300401 |         | -     | e    |        |             | 6/8mm2 yellow/green terminal                         |
| 41200                                     | 3006155  |         | -     | e    |        |             | Blu neutral terminal                                 |
| 41205                                     | 3006082  |         | -     | e    |        |             | Terminal 16mm2 SL-16                                 |
| 41210                                     | 10300050 |         | -     | e    |        | A,F,H,K,P,R | Contacteur 25A/12A 4NA 230V                          |
| 41215                                     | 15086    |         | -     | e    |        |             | Contacteur 230 V                                     |
| 41216                                     | 15384    |         | -     | e    |        |             | 0-230V 160/230/400/415/440 Va Transformer            |
| 41217                                     | 3006147  |         | -     | e    |        |             | 5x10 Fuse holder                                     |
| 41218                                     | 15160    |         | -     | e    |        |             | 5x20 10A Fuse  |
| 41219                                     | 11600039 |         | -     | e    |        |             | Transparent protection for members electrical workes |
| 41220                                     | 3006068  |         | -     | e    |        |             | MC9.10 24V 1NA-1NO auxillary contact                 |

e=ELECTRONICAL SWITCHES, dc=DOUBLE BODY VERSION, uw=LOWER AND UPPER VERSION

80E=80E

bp=BOOSTER PUMP, dd=DETERGENT DISPENCER, dp=DRAIN PUMP

A=3/N/PE~380-400V 50-60Hz, D=3/PE~200-210V 50-60Hz, F=2/PE~220-240V 50-60Hz, G=3/N/PE~415V 50-60Hz, H=3/PE~220-230V 50-60Hz, K=3/PE~380-400V 50-60Hz, L=3/PE~415V 50-60Hz, M=3/PE~440V 60Hz, P=1/N/PE~220-230V 50-60Hz, R=2/PE~220-240V 50-60Hz, U=1/N/PE~240V 50-60Hz, V=3/PE~240V 50-60Hz, W=1/N/PE~100-110V 50-60Hz



05\_002\_e

## Spare parts

| ID                                 | P-code | SN from | SN to | Mod. | Acces. | Volt | Description                    |
|------------------------------------|--------|---------|-------|------|--------|------|--------------------------------|
| <b>Module:Solenoid valve group</b> |        |         |       |      |        |      |                                |
| 700                                | 10703  |         | -     | e,dc |        |      | Single solenoid valve - 230Vac |
| 730                                | 11807  |         | -     | e,dc |        |      | 12/22 clamp (minimum 3 pieces) |
| 735                                | 13307  |         | -     | e,dc |        |      | 3/4 gasket                     |

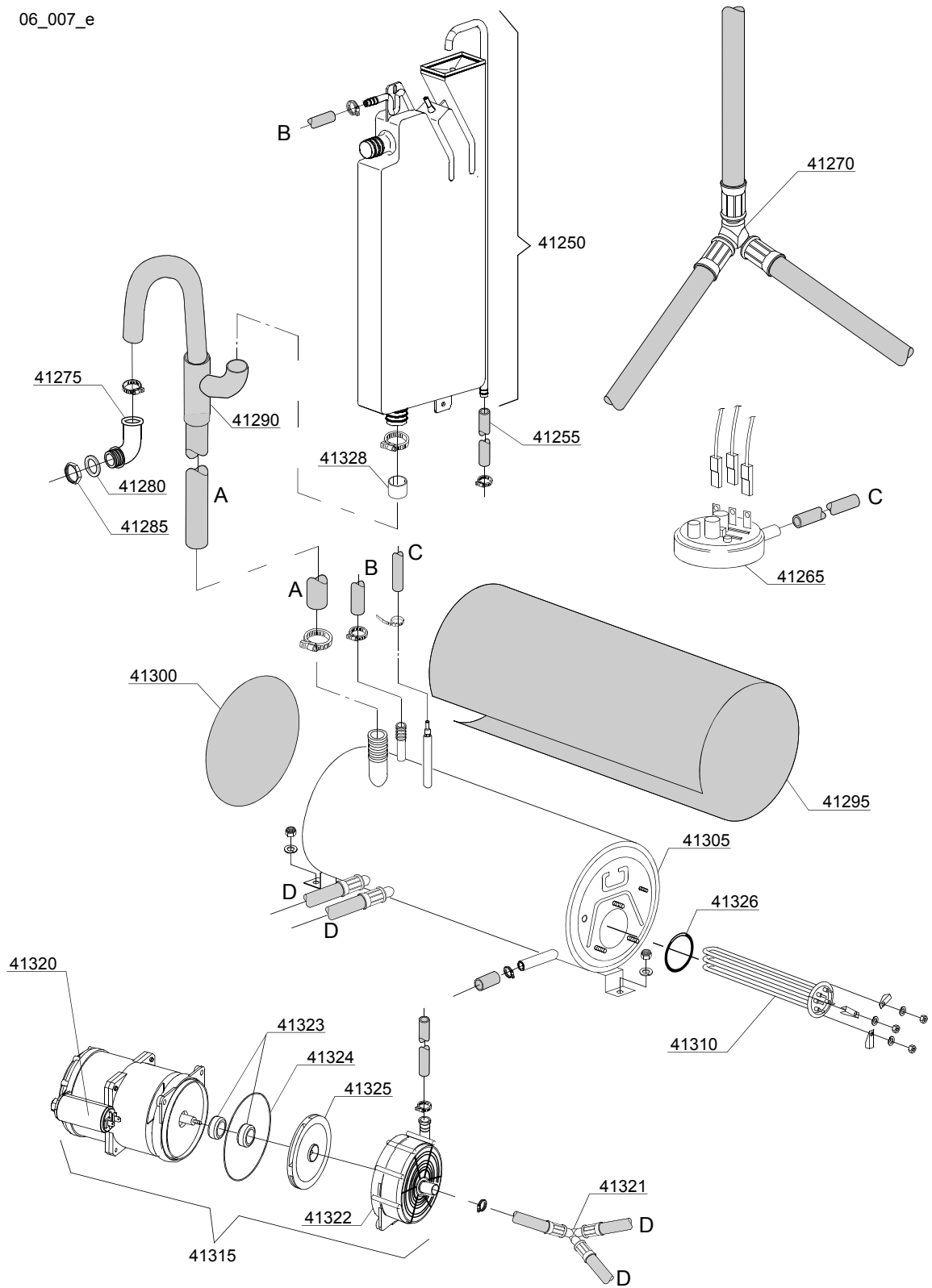
e=ELECTRONICAL SWITCHES, dc=DOUBLE BODY VERSION, uw=LOWER AND UPPER VERSION

80E=80E

bp=BOOSTER PUMP, dd=DETERGENT DISPENCER, dp=DRAIN PUMP

A=3/N/PE~380-400V 50-60Hz, D=3/PE~200-210V 50-60Hz, F=2/PE~220-240V 50-60Hz, G=3/N/PE~415V 50-60Hz, H=3/PE~220-230V 50-60Hz, K=3/PE~380-400V 50-60Hz, L=3/PE~415V 50-60Hz, M=3/PE~440V 60Hz, P=1/N/PE~220-230V 50-60Hz, R=2/PE~220-240V 50-60Hz, U=1/N/PE~240V 50-60Hz, V=3/PE~240V 50-60Hz, W=1/N/PE~100-110V 50-60Hz

06\_007\_e



## Spare parts

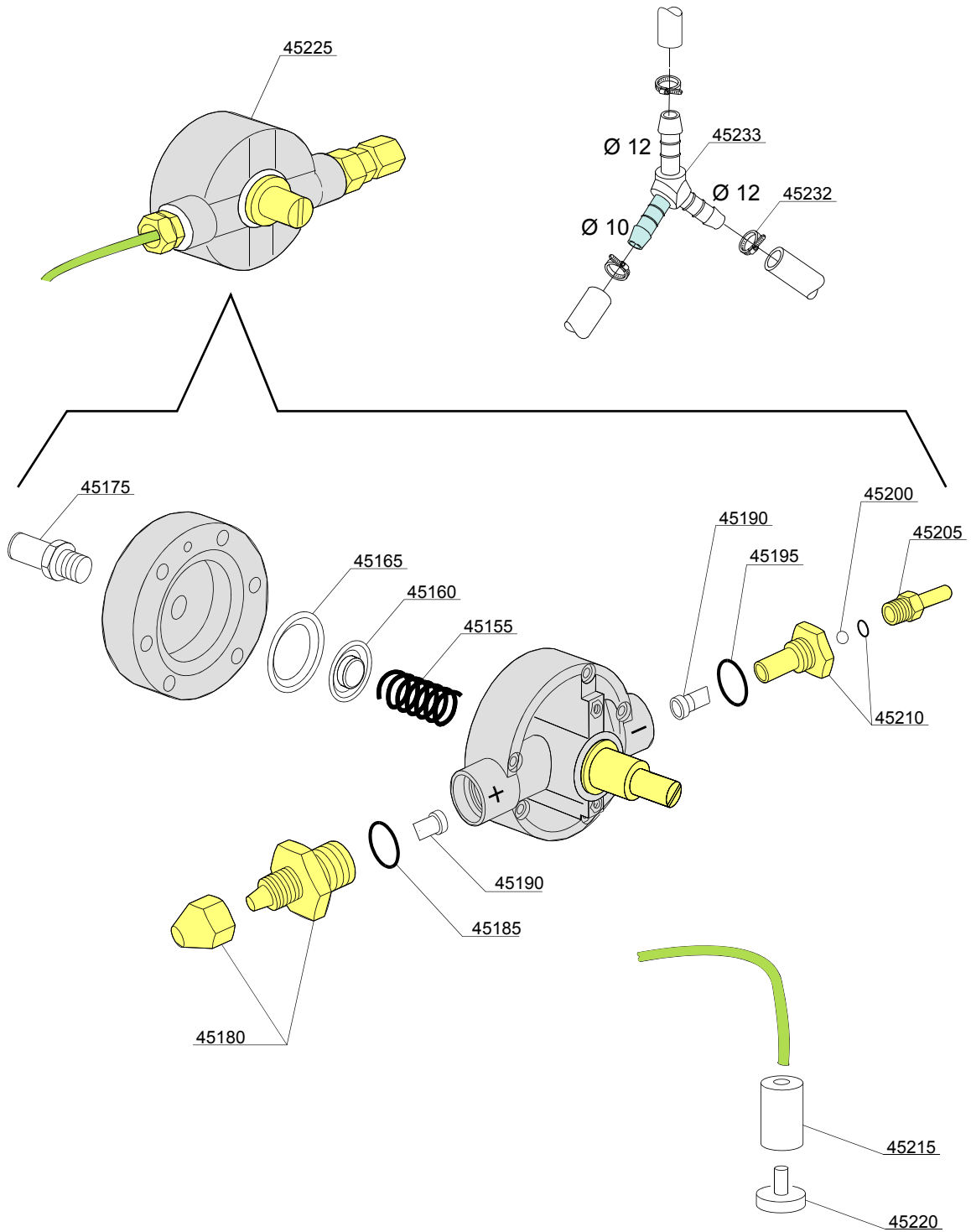
| ID   | P-code   | SN from | SN to | Mod. | Acces. | Volt | Description                            |
|--|----------|---------|-------|------|--------|------|--|
| <b>Module: Rinse with steady temperature</b> |          |         |       |      |        |      |  |
| 41250  | 15720    |         | -     | e,dc |        |      | Break tank assembly                    |
| 41255  | 2907352  |         | -     | e,dc |        |      | PVC WRAS rubber hose                   |
| 41265  | 10706/A  |         | -     | e,dc |        |      | 47-27 pressure switch                  |
| 41270  | 91110    |         | -     | e,dc |        |      | Ø12 mm plastic 3 ways connection       |
| 41275  | 10701    |         | -     | e,dc |        |      | Drain elbow                            |
| 41280  | 13305    |         | -     | e,dc |        |      | 44x32x3 O-ring (minimum 5 pieces)      |
| 41285  | 11701/A  |         | -     | e,dc |        |      | Stainless steel nut                    |
| 41290  | 91112    |         | -     | e,dc |        |      | Muff of emergency                      |
| 41295  | 91116    |         | -     | e,dc |        |      | Insulation boiler 600x680              |
| 41300  | 91115    |         | -     | e,dc |        |      | Ø190x3 end piece                       |
| 41305  | 91104    |         | -     | e,dc |        |      | Atmospheric Boiler AISI-316            |
| 41310  | 30001011 |         | -     | e,dc |        |      | Element 9,0 kW 230/240 VaC 3           |
| 41315  | 15100/DO |         | -     | e,dc |        |      | Rinsing pump / booster pump 220/240V   |
| 41320  | 10702    |         | -     | e,dc |        |      | 5 uF condenser                         |
| 41321  | 91111    |         | -     | e,dc |        |      | Ø12 mm plastic 3 ways connection       |
| 41322  | 15100/V  |         | -     | e,dc |        |      | Scroll                                 |
| 41323  | 15100/S  |         | -     | e,dc |        |      | Rotating seals                         |
| 41324  | 15100/T  |         | -     | e,dc |        |      | OR O-ring                              |
| 41325  | 15100/U  |         | -     | e,dc |        |      | Pump rotor                             |
| 41326  | 13015    |         | -     | e,dc |        |      | O-ring 6225 OR 160 NBR                 |
| 41328  | 12533    |         | -     | e,dc |        |      | Reinforce for pipe exit ( break tank ) |

e=ELECTRONICAL SWITCHES, dc=DOUBLE BODY VERSION, uw=LOWER AND UPPER VERSION  
80E=80E

bp=BOOSTER PUMP, dd=DETERGENT DISPENCER, dp=DRAIN PUMP

A=3/N/PE~380-400V 50-60Hz, D=3/PE~200-210V 50-60Hz, F=2/PE~220-240V 50-60Hz, G=3/N/PE~415V 50-60Hz, H=3/PE~220-230V 50-60Hz, K=3/PE~380-400V 50-60Hz, L=3/PE~415V 50-60Hz, M=3/PE~440V 60Hz, P=1/N/PE~220-230V 50-60Hz, R=2/PE~220-240V 50-60Hz, U=1/N/PE~240V 50-60Hz, V=3/PE~240V 50-60Hz, W=1/N/PE~100-110V 50-60Hz

10\_001be



## Spare parts

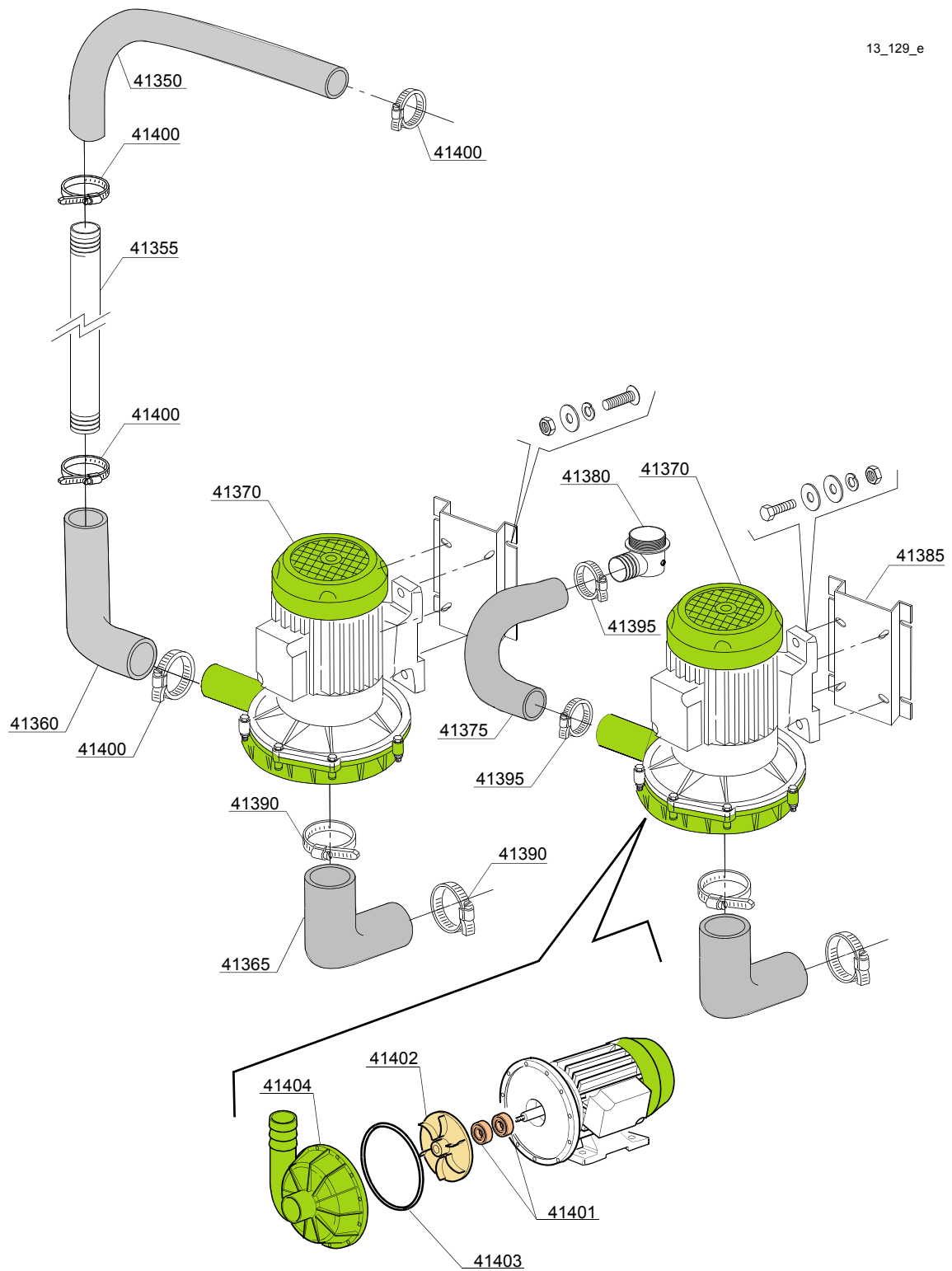
| ID                                       | P-code  | SN from | SN to | Mod. | Acces. | Volt | Description                            |
|--|---------|---------|-------|------|--------|------|--|
| <b>Module: Rinse aid dispenser group</b> |         |         |       |      |        |      |  |
| 45155                                    | 10705/M |         | -     | e,dc |        |      | Spring                                 |
| 45160                                    | 10705/N |         | -     | e,dc |        |      | Disc to membrane                       |
| 45165                                    | 10750/O |         | -     | e,dc |        |      | Membrane                               |
| 45175                                    | 12506   |         | -     | e,dc |        |      | Rubber-holder Ø 10mm                   |
| 45180                                    | 10705/G |         | -     | e,dc |        |      | Pipe fitting                           |
| 45185                                    | 10705/C |         | -     | e,dc |        |      | OR-gasket                              |
| 45190                                    | 10705/D |         | -     | e,dc |        |      | Silicone valve                         |
| 45195                                    | 10705/C |         | -     | e,dc |        |      | OR-gasket                              |
| 45200                                    | 10705/T |         | -     | e,dc |        |      | Sphere made of Teflon                  |
| 45205                                    | 10705/R |         | -     | e,dc |        |      | Brass pipe fitting                     |
| 45210                                    | 10705/E |         | -     | e,dc |        |      | OR-gasket Guide valve                  |
| 45215                                    | 12525   |         | -     | e,dc |        |      | Ballast                                |
| 45220                                    | 15058   |         | -     | e,dc |        |      | Small filter (minimum 3 pieces)        |
| 45225                                    | 10799/G |         | -     | e,dc |        |      | GERMAC rinse aid dispenser             |
| 45232                                    | 11807   |         | -     | e,dc |        |      | Clamp 12-22 (minimum 3 pieces)         |
| 45233                                    | 540105  |         | -     | e,dc |        |      | Ø12-10-12 mm plastic 3 ways connection |

e=ELECTRONICAL SWITCHES, dc=DOUBLE BODY VERSION, uw=LOWER AND UPPER VERSION

80E=80E

bp=BOOSTER PUMP, dd=DETERGENT DISPENSER, dp=DRAIN PUMP

A=3/N/PE~380-400V 50-60Hz, D=3/PE~200-210V 50-60Hz, F=2/PE~220-240V 50-60Hz, G=3/N/PE~415V 50-60Hz, H=3/PE~220-230V 50-60Hz, K=3/PE~380-400V 50-60Hz, L=3/PE~415V 50-60Hz, M=3/PE~440V 60Hz, P=1/N/PE~220-230V 50-60Hz, R=2/PE~220-240V 50-60Hz, U=1/N/PE~240V 50-60Hz, V=3/PE~240V 50-60Hz, W=1/N/PE~100-110V 50-60Hz





## Spare parts

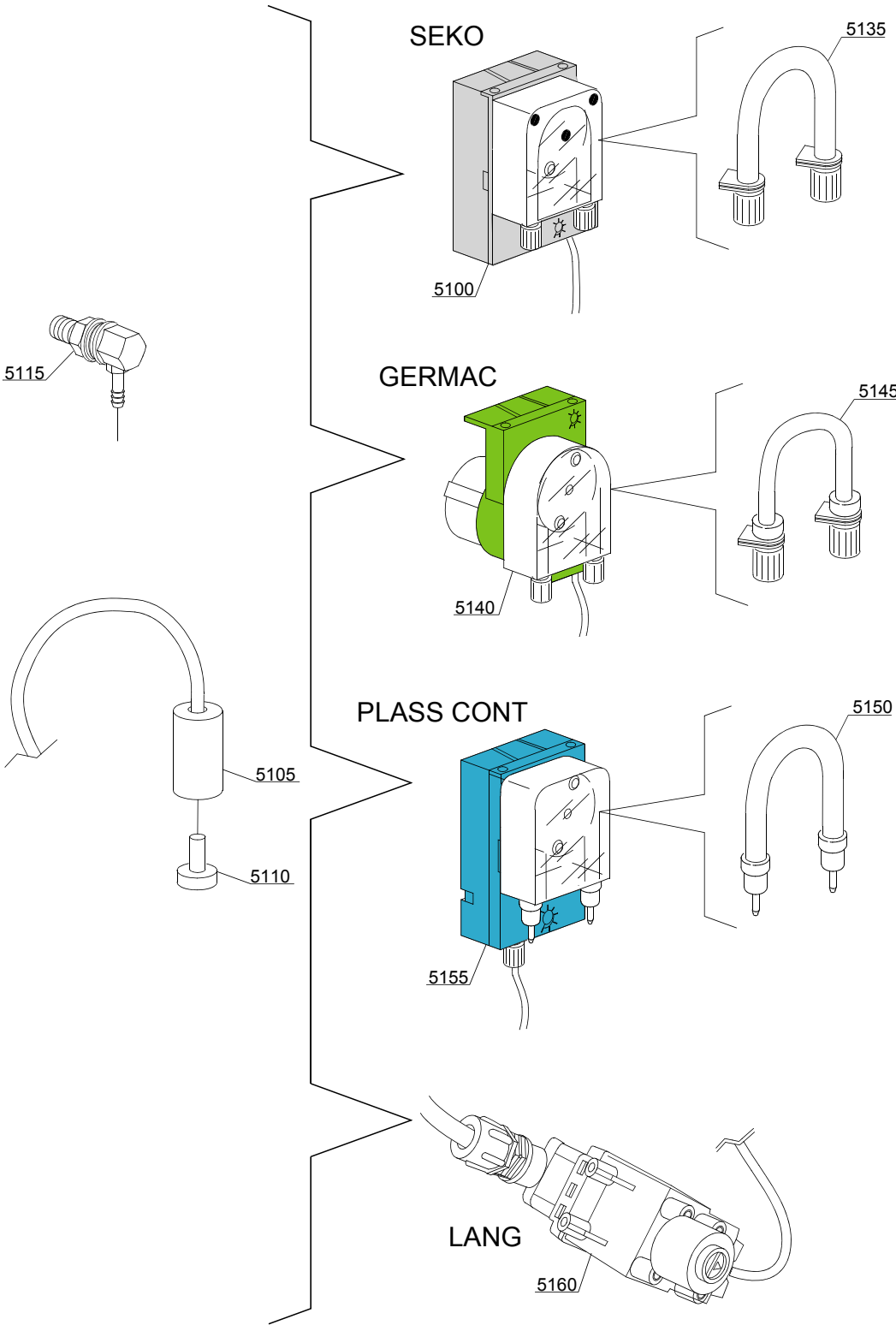
| ID                       | P-code   | SN from | SN to | Mod. | Acces. | Volt | Description                             |
|--------------------------|----------|---------|-------|------|--------|------|---|
| <b>Module: Wash pump</b> |          |         |       |      |        |      |   |
| 41350                    | 91106    |         | -     | uw   |        |      | Top delivery pipe                       |
| 41355                    | 91105    |         | -     | uw   |        |      | Wash ramp                               |
| 41360                    | 91106    |         | -     | uw   |        |      | Low delivery pipe                       |
| 41365                    | 30002020 |         | -     | uw   |        |      | Suction elbow                           |
| 41370                    | 22043    |         | -     | uw   |        |      | Inox pump 2-HP / 220-240 / 380-415 50Hz |
| 41370                    | 22037    |         | -     | uw   |        |      | Pump 2-HP / 220-240 / 380-415 50Hz      |
| 41375                    | 91108    |         | -     | uw   |        |      | Lower delivery wash pipe                |
| 41380                    | 90008    |         | -     | uw   |        |      | Lower / Upper turret                    |
| 41385                    | 11600623 |         | -     | uw   |        |      | Pump support                            |
| 41390                    | 2902481  |         | -     | uw   |        |      | 60-80 clamp (minimum 2 pieces)          |
| 41395                    | 11824    |         | -     | uw   |        |      | 50/70 clamp (minimum 2 pieces)          |
| 41400                    | 11810    |         | -     | uw   |        |      | 40/60 clamp (minimum 2 pieces)          |
| 41401                    | 15080    |         | -     | uw   |        |      | Rotating seals                          |
| 41402                    | 22045    |         | -     | uw   |        |      | Pump rotor 2-HP (mod.1226)              |
| 41403                    | 10200290 |         | -     | uw   |        |      | O-ring 1225                             |
| 41404                    | 10200222 |         | -     | uw   |        |      | Scroll                                  |

e=ELECTRONICAL SWITCHES, dc=DOUBLE BODY VERSION, uw=LOWER AND UPPER VERSION

80E=80E

bp=BOOSTER PUMP, dd=DETERGENT DISPENCER, dp=DRAIN PUMP

A=3/N/PE~380-400V 50-60Hz, D=3/PE~200-210V 50-60Hz, F=2/PE~220-240V 50-60Hz, G=3/N/PE~415V 50-60Hz, H=3/PE~220-230V 50-60Hz, K=3/PE~380-400V 50-60Hz, L=3/PE~415V 50-60Hz, M=3/PE~440V 60Hz, P=1/N/PE~220-230V 50-60Hz, R=2/PE~220-240V 50-60Hz, U=1/N/PE~240V 50-60Hz, V=3/PE~240V 50-60Hz, W=1/N/PE~100-110V 50-60Hz



14\_004\_e

## Spare parts

| ID                                   | P-code   | SN from | SN to | Mod. | Acces. | Volt | Description                       |
|--------------------------------------|----------|---------|-------|------|--------|------|-----------------------------------|
| <b>Module:Dosing detergent group</b> |          |         |       |      |        |      |                                   |
| 5100                                 | 15985    |         | -     |      | dd     |      | Seko detergent pump               |
| 5105                                 | 12525    |         | -     |      | dd     |      | Counter-weight                    |
| 5110                                 | 15058    |         | -     |      | dd     |      | Suction filter (minimum 3 pieces) |
| 5120                                 | 15123    |         | -     |      | dd     |      | Steel injector                    |
| 5125                                 | 15159    |         | -     |      | dd     |      | OR O-ring (minimum 2 pieces)      |
| 5130                                 | 10200205 |         | -     |      | dd     |      | Nut m12x1 (minimum 2 pieces)      |
| 5135                                 | 15185    |         | -     |      | dd     |      | Ø 10 Seko thermoplastic pipe      |
| 5140                                 | 15985    |         | -     |      | dd     |      | Germac detergent pump             |
| 5145                                 | 15108/E  |         | -     |      | dd     |      | Ø 8 Germac thermoplastic pipe     |
| 5150                                 | 15985/A  |         | -     |      | dd     |      | Ø 10 PLAS CONT thermoplastic pipe |
| 5155                                 | 15985    |         | -     |      | dd     |      | PLAS CONT detergent pump          |
| 5160                                 | 15108/L  |         | -     |      | dd     |      | LANG detergent pump               |

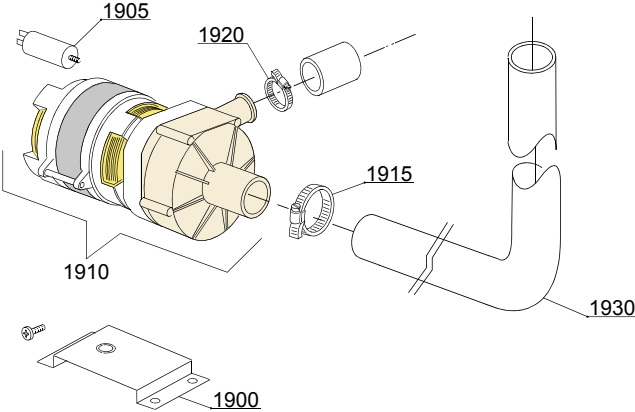
e=ELECTRONICAL SWITCHES, dc=DOUBLE BODY VERSION, uw=LOWER AND UPPER VERSION

80E=80E

bp=BOOSTER PUMP, dd=DETERGENT DISPENCER, dp=DRAIN PUMP

A=3/N/PE~380-400V 50-60Hz, D=3/PE~200-210V 50-60Hz, F=2/PE~220-240V 50-60Hz, G=3/N/PE~415V 50-60Hz, H=3/PE~220-230V 50-60Hz, K=3/PE~380-400V 50-60Hz, L=3/PE~415V 50-60Hz, M=3/PE~440V 60Hz, P=1/N/PE~220-230V 50-60Hz, R=2/PE~220-240V 50-60Hz, U=1/N/PE~240V 50-60Hz, V=3/PE~240V 50-60Hz, W=1/N/PE~100-110V 50-60Hz

15\_006\_e



## Spare parts

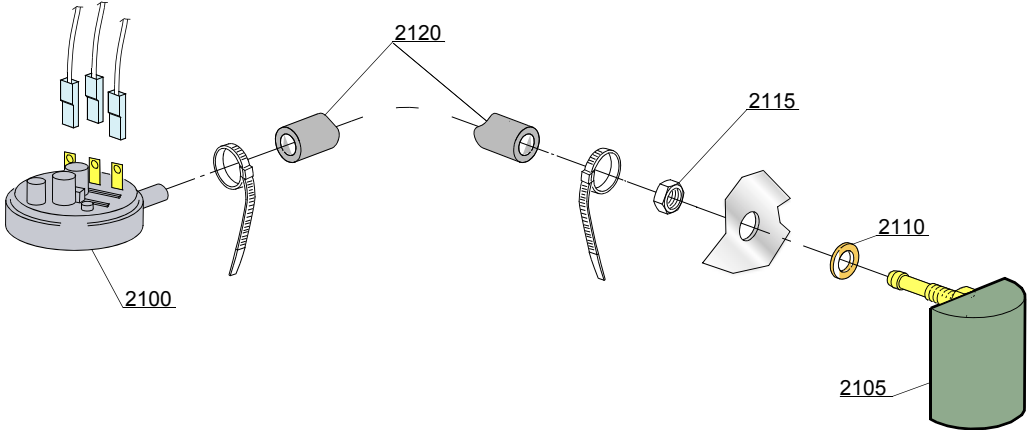
| ID                              | P-code  | SN from | SN to | Mod. | Acces. | Volt                | Description                      |
|---------------------------------|---------|---------|-------|------|--------|---------------------|----------------------------------|
| <b>Module: Drain pump group</b> |         |         |       |      |        |                     |                                  |
| 1900                            | 440122  |         | -     |      | dp     |                     | Pump support                     |
| 1905                            | 10702   |         | -     |      | dp     |                     | 5 uF condenser                   |
| 1910                            | 10501/A |         | -     |      | dp     | A,F,G,H,K,L,P,R,U,V | Drain pump 0,10Hp/190W 230V 50Hz |
| 1915                            | 11806   |         | -     |      | dp     |                     | 25/40 clamp (minimum 2 pieces)   |
| 1920                            | 11836   |         | -     |      | dp     |                     | 20/32 clamp (minimum 2 pieces)   |
| 1925                            | 11809   |         | -     |      | dp     |                     | 30/45 clamp (minimum 2 pieces)   |
| 1930                            | 18044   |         | -     |      | dp     |                     | Ø28 top wash pipe                |

e=ELECTRONICAL SWITCHES, dc=DOUBLE BODY VERSION, uw=LOWER AND UPPER VERSION

80E=80E

bp=BOOSTER PUMP, dd=DETERGENT DISPENCER, dp=DRAIN PUMP

A=3/N/PE~380-400V 50-60Hz, D=3/PE~200-210V 50-60Hz, F=2/PE~220-240V 50-60Hz, G=3/N/PE~415V 50-60Hz, H=3/PE~220-230V 50-60Hz, K=3/PE~380-400V 50-60Hz, L=3/PE~415V 50-60Hz, M=3/PE~440V 60Hz, P=1/N/PE~220-230V 50-60Hz, R=2/PE~220-240V 50-60Hz, U=1/N/PE~240V 50-60Hz, V=3/PE~240V 50-60Hz, W=1/N/PE~100-110V 50-60Hz



16\_001\_e

## Spare parts

| ID  | P-code | SN from | SN to | Mod. | Acces. | Volt | Description                         |
|---|--------|---------|-------|------|--------|------|-------------------------------------|
| <b>Module:Pressure switch group with air trap</b> |        |         |       |      |        |      |                                     |
| 2100  | 88110  |         | -     | dc   |        |      | Pressure switch                     |
| 2105  | 135911 |         | -     | dc   |        |      | Air trap                            |
| 2110  | 13301  |         | -     | dc   |        |      | Gasket 14x8x1,5 (minimum 10 pieces) |
| 2115  | 11702  |         | -     | dc   |        |      | Nut M8 (minimum 10 pieces)          |
| 2116  | 14508  |         | -     | dc   |        |      | Pressure tube EPDM 4,5x9            |

e=ELECTRONICAL SWITCHES, dc=DOUBLE BODY VERSION, uw=LOWER AND UPPER VERSION

80E=80E

bp=BOOSTER PUMP, dd=DETERGENT DISPENCER, dp=DRAIN PUMP

A=3/N/PE~380-400V 50-60Hz, D=3/PE~200-210V 50-60Hz, F=2/PE~220-240V 50-60Hz, G=3/N/PE~415V 50-60Hz, H=3/PE~220-230V 50-60Hz, K=3/PE~380-400V 50-60Hz, L=3/PE~415V 50-60Hz, M=3/PE~440V 60Hz, P=1/N/PE~220-230V 50-60Hz, R=2/PE~220-240V 50-60Hz, U=1/N/PE~240V 50-60Hz, V=3/PE~240V 50-60Hz, W=1/N/PE~100-110V 50-60Hz





## Spare parts

| ID  | P-code  | SN from | SN to | Mod. | Acces. | Volt | Description                                  |
|---|---------|---------|-------|------|--------|------|--|
| <b>Module:Turret group with rotating arms</b> |         |         |       |      |        |      |  |
| 41420   | 91102   |         | -     | uw   |        |      | Upper/lower wash rotor                       |
| 41425   | 13023   |         | -     | uw   |        |      | OR 131 (4093) NBR O-ring (minimum 10 pieces) |
| 41430   | 3003029 |         | -     | uw   |        |      | Plug   |
| 41435   | 75316   |         | -     | uw   |        |      | Hub for rotor                                |
| 41440   | 75317   |         | -     | uw   |        |      | Nut for wash arm bearing                     |
| 41445   | 90008   |         | -     | uw   |        |      | Lower turret                                 |
| 41450   | 80208   |         | -     | uw   |        |      | OR 2050 NBR O-ring (minimum 40 pieces)       |
| 41455   | 90009   |         | -     | uw   |        |      | Turret fixing hub                            |
| 41465   | 90010   |         | -     | uw   |        |      | Top rinse axle                               |
| 41470   | 91103   |         | -     | uw   |        |      | Top/lower rinse arm complete                 |
| 41475   | 10652   |         | -     | uw   |        |      | Stainless steel group fixing screw           |
| 41480   | 10651   |         | -     | uw   |        |      | Rinse axle                                   |
| 41485   | 10650   |         | -     | uw   |        |      | Rinse arm                                    |
| 41490   | 91103/D |         | -     | uw   |        |      | Right rinse arm - stainless steel nozzle     |
| 41495   | 91103/S |         | -     | uw   |        |      | Left rinse arm - stainless steel nozzle      |
| 41500   | 560018  |         | -     | uw   |        |      | Stainless steel rinse nozzle                 |
| 41505   | 560017  |         | -     | uw   |        |      | Rinse arm plug                               |
| 41506   | 90031   |         | -     | uw   |        |      | Sliding washer (mat.ARNITE)                  |

e=ELECTRONICAL SWITCHES, dc=DOUBLE BODY VERSION, uw=LOWER AND UPPER VERSION

80E=80E

bp=BOOSTER PUMP, dd=DETERGENT DISPENCER, dp=DRAIN PUMP

A=3/N/PE~380-400V 50-60Hz, D=3/PE~200-210V 50-60Hz, F=2/PE~220-240V 50-60Hz, G=3/N/PE~415V 50-60Hz, H=3/PE~220-230V 50-60Hz, K=3/PE~380-400V 50-60Hz, L=3/PE~415V 50-60Hz, M=3/PE~440V 60Hz, P=1/N/PE~220-230V 50-60Hz, R=2/PE~220-240V 50-60Hz, U=1/N/PE~240V 50-60Hz, V=3/PE~240V 50-60Hz, W=1/N/PE~100-110V 50-60Hz