

# DISHWASHER

ELECTROMECHANICAL SWITCHES  
LOWER WASHING  
LOWER AND UPPER WASHING

TYPE: 102K

Accessories  
BOOSTER PUMP  
DVGW  
COLD RINSE  
WATER SOFTNER  
DETERGENT DISPENSER  
DRAIN PUMP

---

## Spare Parts Manual

---



## INFORMAZIONI GENERALI

Questo catalogo serve per richiedere con esattezza le parti di ricambio

Nelle ordinazioni indicare:

1) il numero dei codici dei particolari seguito dalla descrizione e la quantità desiderata;

2) Il codice alfa-numerico presente nella seconda colonna della tabella ;

**I disegni delle parti di ricambio sono solo indicativi e non rappresentano il pezzo in oggetto.**

**I dati contenuti in questo catalogo sono indicativi e possono essere soggetti a modifiche senza impegno di preavviso.**

## ALLGEMEINE INFORMATIONEN

Dieser Ersatzteilkatalog dient zur genauen Angabe der Teile bei Ersatzteilbestellungen.

Bei Ersatzbestellung ist folgendes anzugeben:

1) Die Bestellnummer der Ersatzteile mit der entsprechenden Beschreibung genaue Menge;

2) Der alpha-numerischer Code auf der zweiten Reihe in dein Spalte;

**Die Zeichnungen der Ersatzteile sind nur als Hinweise gedacht und stellen nicht das betroffene Teil dar.**

**Bei den im Katalog angeführten Daten handelt es sich um Anhaltsdaten, die jederzeit, ohne Vorankündigung, geändert werden können.**

## GENERAL INFORMATION

The present spare parts order exactly the right spare parts

When ordering specify:

1) the part's code number followed by its description and quantity needed;

2) The alpha-numeric code is in the second column in the chart;

**Spare parts drawings are general and do not represent the part.**

**The contents of this catalogue are general and can undergo changes without prior notice.**

## INFORMACIONES GENERALES

El presente catálogo sirve para pedir con exactitud las partes de repuesto

En los pedidos se debe indicar:

1) el número de código de la parte y a continuación la descripción cantidad deseada;

2) El código alfanumerico presente en la signada columna de la tabla;

**Los diseños de las partes de recambio son solo indicativos y no representan la pieza en cuestión.**

**Los datos contenidos en el presente catálogo son indicativos y pueden modificarse sin aviso previo.**

## INFORMATIONS GENERALES

Ce catalogue permet de commander correctement les pièces détachées

Les commandes doivent être passées en indiquant:

1) le numero de code des pièces détachées suivi de leur description quantité désirée;

2) le code alphanumérique dans la deuxième colonne du tableau;

**Les plans des pièces détachées sont fournis seulement à titre indicatif et ne représentent pas la pièce concernée.**

**Les données de ce catalogue sont citées seulement à titre indicatif et peuvent être l'objet de modifications sans avis préalable.**

ESEMPIO  
EXAMPLE  
EXEMPLE  
BEISPIEL

| Rif.               | Codici  |
|--------------------|---------|
| MODULE:Particolari |         |
| 10505              | 540903  |
| 10510              | 540908  |
| 10515              | 15065/A |
| 10520              | 540086  |
| 10525              | 540028  |



## Note

Tutte le informazioni riportate si intendono aggiornate alla data di stampa. Il Produttore si riserva il diritto di apportare qualsiasi modifica richiesta dallo sviluppo evolutivo dei suddetti prodotti.

Per la sicurezza, la garanzia, l'affidabilità ed il valore della lavastoviglie usa solo ricambi originali. **Per alcuni codici, sono richieste quantità minime d'ordine.**



## Attenzione

Questo libretto è parte integrante della lavastoviglie e, in caso di passaggio di proprietà, deve essere consegnato al nuovo acquirente.



## Remarque

Toutes les informations contenues dans ce manuel s'entendent mises à jour à la date d'impression. En raison du développement constant de ses produits, usine se réserve le droit d'apporter à tout instant les modifications qu'elle jugera utiles.

Pour la sécurité, la garantie, la fiabilité et la valeur de votre lave-vaisselles n'utilisez que des pièces de rechange d'origine. **Pour quelque référence on demande un minimum de pièces par commande**



## Attention

Ce manuel doit être considéré comme partie intégrante de la lave-vaisselles, en cas de transfert de propriété, doit toujours être remis au nouveau propriétaire.



## Note

The information contained herein is valid at the time of going to print. The Company reserves the right to make any changes required by the future development of the above-mentioned products.

For your safety, as well as to preserve the warranty reliability and worth of your dishwashers, use original spare parts only. **For some codes a minimum quantity for order is required.**



## Warning

This manual forms an integral part of the dishwashers and - if a transfer of title occurs - must always be handed over to the new owner.



## Hinweis

Die Der Hersteller behält sich das Recht vor, jegliche, durch eine Weiterentwicklung der genannten Produkte bedingte Änderungen vornehmen zu können.

Verwenden Sie für Ihre Sicherheit, die Garantie, die Zuverlässigkeit und den Wert Ihrer machine originale Ersatzteile. **Für bestimmte Code nummer werden mindesten bestellungen verlangt.**



## Achtung

Diese Betriebsanleitung ist Bestandteil des machine und muss bei seinem Weiterverkauf dem neuen Besitzer ausgehändigt werden.



---

**Code** DW 999XXXXXX

**Model DESCRIPTION**

**S/N** DW A 1015770 Type .....

**CL/Part**



400V 3N 50HZ 8A  
3500W 500W



16A

**IPX3**

**TECHICAL SPECIFICATION**

200-500 kPa



Pressione Dinamica alimentazione idrica  
Pression dynamique arrivee d'eau  
Dynamic pressure water supply  
Dynamischer Druck asserreinlauf

Pressione dinamica vapore saturo  
Pression dynamique vapeur satuee  
Dymanischer Druck gesattigter Dampf  
Pression Dinamica Vapor Saturado

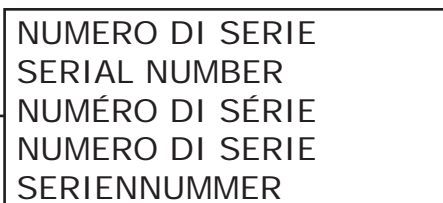
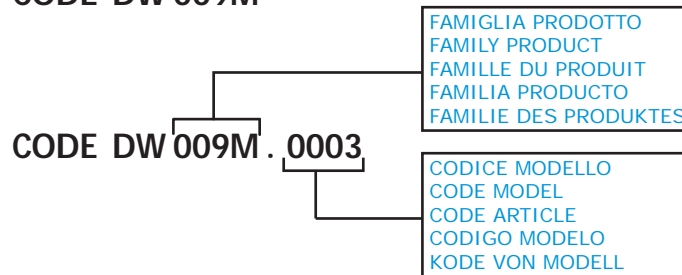
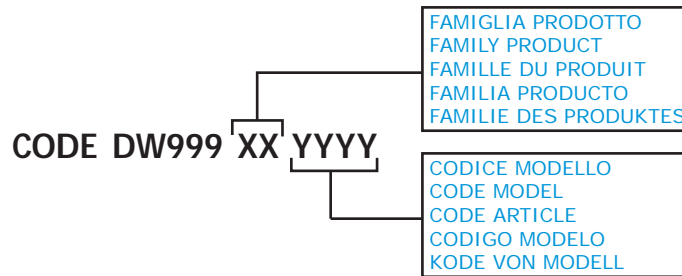
**MADE IN ITALY**

Temperatura massima acqua in ingresso 60°C  
Temperature max eau a l'entre  
Maximale Temperatur Wasseranschlu  
Maximum Water temperature in-feeding

---

Model 

S/N 





## 1. Spare parts

|                                  |    |
|----------------------------------|----|
| General body parts.....          | 9  |
| Lockup system .....              | 11 |
| Control panel and switches.....  | 13 |
| Electric control components..... | 15 |
| Solenoid valve group .....       | 17 |
| Solenoid valve group .....       | 19 |
| Booster pump.....                | 21 |
| DVGW valve .....                 | 23 |
| Water softner group.....         | 25 |
| Rinse aid dispenser group.....   | 27 |
| Boiler group .....               | 29 |
| 3 ways connection .....          | 31 |
| 4 ways connection .....          | 33 |
| Wash pump .....                  | 35 |
| Dosing detergent group.....      | 37 |
| Drain pump group.....            | 39 |

**Pressure switch group with air trap ...41**

**Turret group with rotating arms .....43**

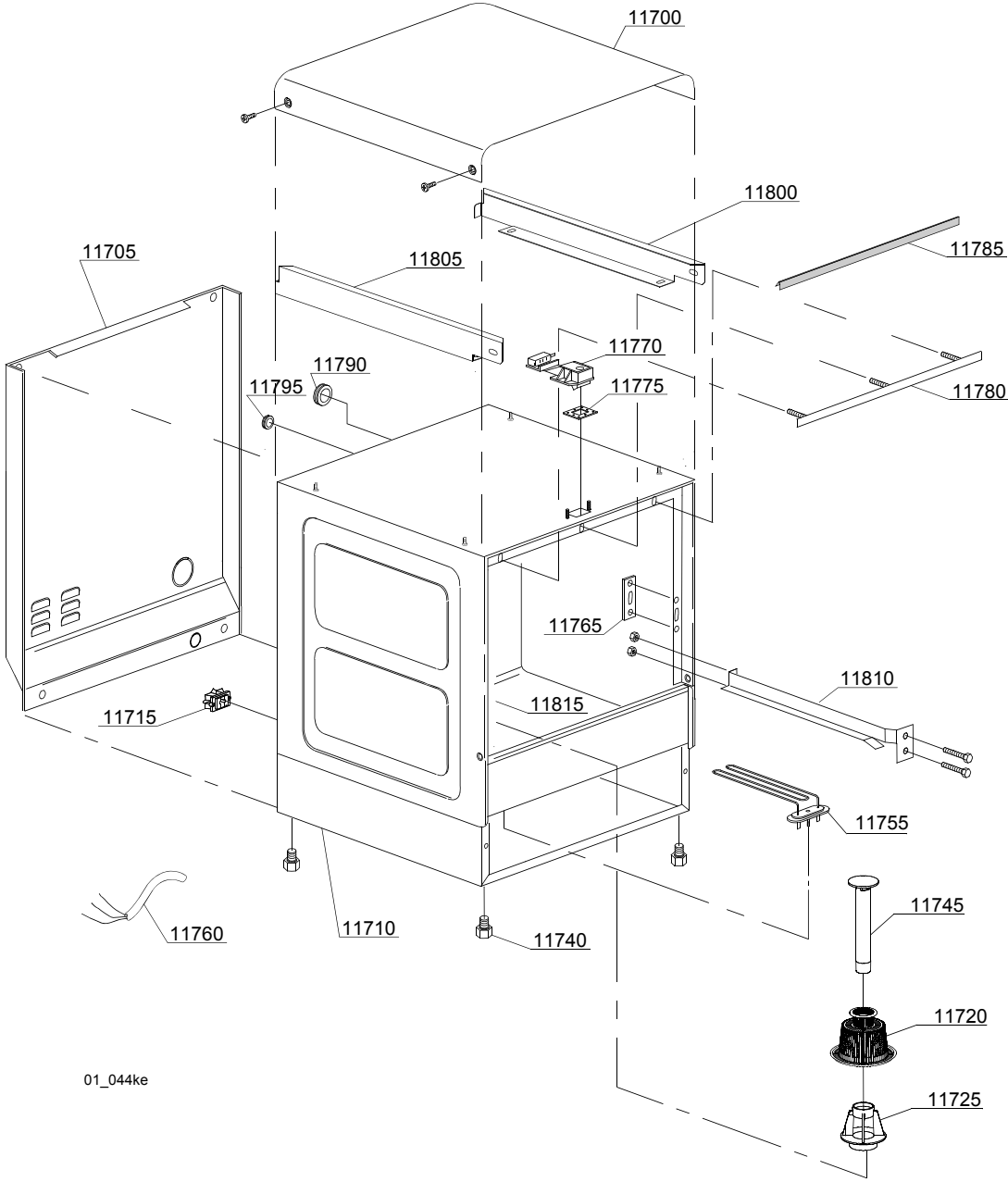
**Turret group with rotating arms .....45**

## 1.1 Voltage codes

| Volt | Voltage code            |
|------|-------------------------|
| A    | 3/N/PE~380-400V 50-60Hz |
| D    | 3/PE~200-210V 50-60Hz   |
| F    | 2/PE~220-240V 50-60Hz   |
| G    | 3/N/PE~415V 50-60Hz     |
| H    | 3/PE~220-230V 50-60Hz   |
| K    | 3/PE~380-400V 50-60Hz   |
| L    | 3/PE~415V 50-60Hz       |
| M    | 3/PE~440V 60Hz          |
| P    | 1/N/PE~220-230V 50-60Hz |
| R    | 2/PE~220-240V 50-60Hz   |
| U    | 1/N/PE~240V 50-60Hz     |
| V    | 3/PE~240V 50-60Hz       |
| W    | 1/N/PE~100-110V 50-60Hz |

## 1.2 Product codes

| Product code    | Full name                  |
|-----------------|----------------------------|
| Model codes     |                            |
| em              | ELECTROMECHANICAL SWITCHES |
| lw              | LOWER WASHING              |
| uw              | LOWER AND UPPER WASHING    |
| Type codes      |                            |
| 102K            | 102K                       |
| Accessory codes |                            |
| bp              | BOOSTER PUMP               |
| dvgw            | DVGW                       |
| cr              | COLD RINSE                 |
| ws              | WATER SOFTNER              |
| dd              | DETERGENT DISPENSER        |
| dp              | DRAIN PUMP                 |





## Spare parts

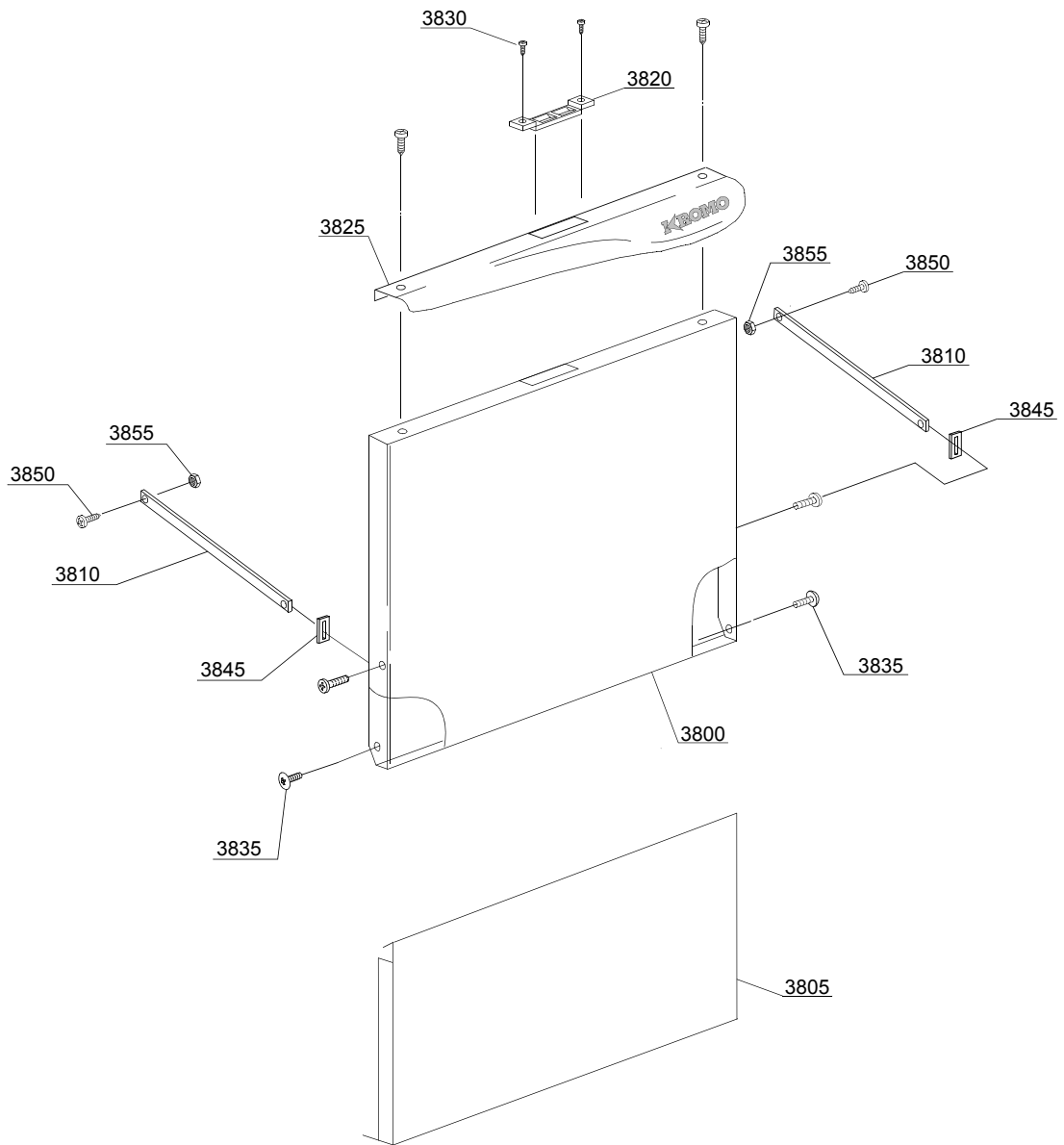
| ID                               | P-code  | SN from | SN to | Mod. | Acces. | Volt | Description                                   |
|----------------------------------|---------|---------|-------|------|--------|------|---|
| <b>Module:General body parts</b> |         |         |       |      |        |      |   |
| 11700                            | 270033  |         | -     |      |        |      | Cover   |
| 11705                            | 270015  |         | -     |      |        |      | Back panel                                    |
| 11710                            | 270600  |         | -     |      |        |      | Body  |
| 11710                            | 270601  |         | -     |      | ws     |      | Body  |
| 11715                            | 15065/A |         | -     |      |        |      | Cable-fastener with screw                     |
| 11720                            | 25003   |         | -     |      |        |      | Pump filter                                   |
| 11725                            | 25002   |         | -     |      |        |      | Top filter body                               |
| 11740                            | 10850   |         | -     |      |        |      | M10x25 Ø40 black foot (minimum 4 pieces)      |
| 11745                            | 25004   |         | -     |      |        |      | Overflow pipe                                 |
| 11755                            | 16035/A |         | -     |      |        |      | 1,85/2,02 KW 230/240V 50Hz heating element    |
| 11755                            | 16035/B |         | -     |      |        |      | 1,65 KW 110V 60Hz heating element             |
| 11760                            | 10713   |         | -     |      |        |      | 3x2,5x2500 cable                              |
| 11765                            | 150401  |         | -     |      |        |      | Door rod slide (minimum 4 pieces)             |
| 11770                            | 150402  |         | -     |      |        |      | Door jack assembly                            |
| 11775                            | 150403  |         | -     |      |        |      | Door jack O-ring (minimum 5 pieces)           |
| 11780                            | 270004  |         | -     |      |        |      | Door O-ring angular                           |
| 11785                            | 135205  |         | -     |      |        |      | Door O-ring                                   |
| 11790                            | 13317   |         | -     |      |        |      | D.40mm unloading pipe pass (minimum 2 pieces) |
| 11795                            | 13323   |         | -     |      |        |      | D.13mm dosing pipe pass (minimum 2 pieces)    |
| 11800                            | 270018  |         | -     |      |        |      | Left cover back support                       |
| 11805                            | 270019  |         | -     |      |        |      | Right cover back support                      |
| 11810                            | 270002  |         | -     |      |        |      | Right/left internal slide                     |
| 11815                            | 270003  |         | -     |      |        |      | Right/left internal slide                     |

em=ELECTROMECHANICAL SWITCHES, lw=LOWER WASHING, uw=LOWER AND UPPER WASHING

102K=102K

bp=BOOSTER PUMP, dvgw=DVGW, cr=COLD RINSE, ws=WATER SOFTNER, dd=DETERGENT DISPENSER, dp=DRAIN PUMP

A=3/N/PE~380-400V 50-60Hz, D=3/PE~200-210V 50-60Hz, F=2/PE~220-240V 50-60Hz, G=3/N/PE~415V 50-60Hz, H=3/PE~220-230V 50-60Hz, K=3/PE~380-400V 50-60Hz, L=3/PE~415V 50-60Hz, M=3/PE~440V 60Hz, P=1/N/PE~220-230V 50-60Hz, R=2/PE~220-240V 50-60Hz, U=1/N/PE~240V 50-60Hz, V=3/PE~240V 50-60Hz, W=1/N/PE~100-110V 50-60Hz



02\_103ke

## Spare parts

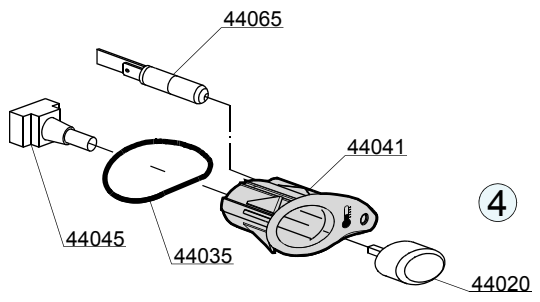
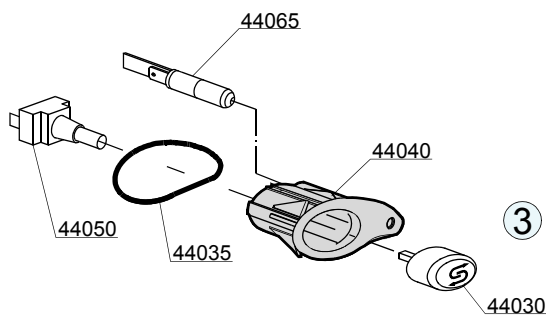
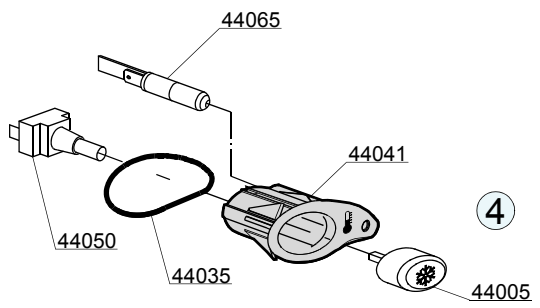
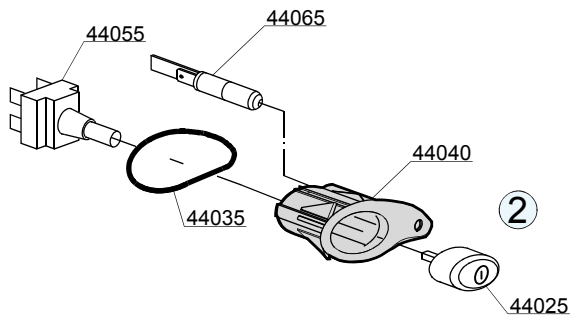
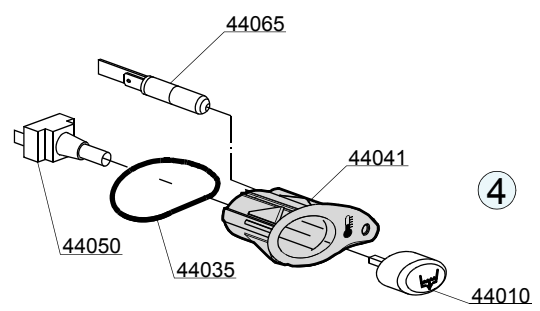
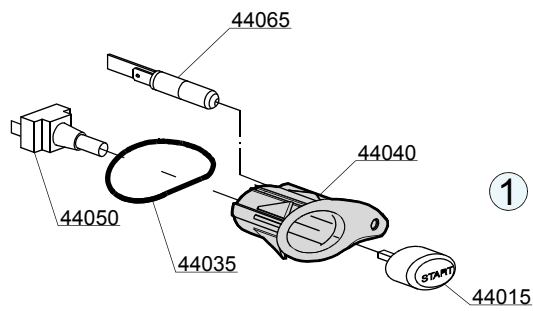
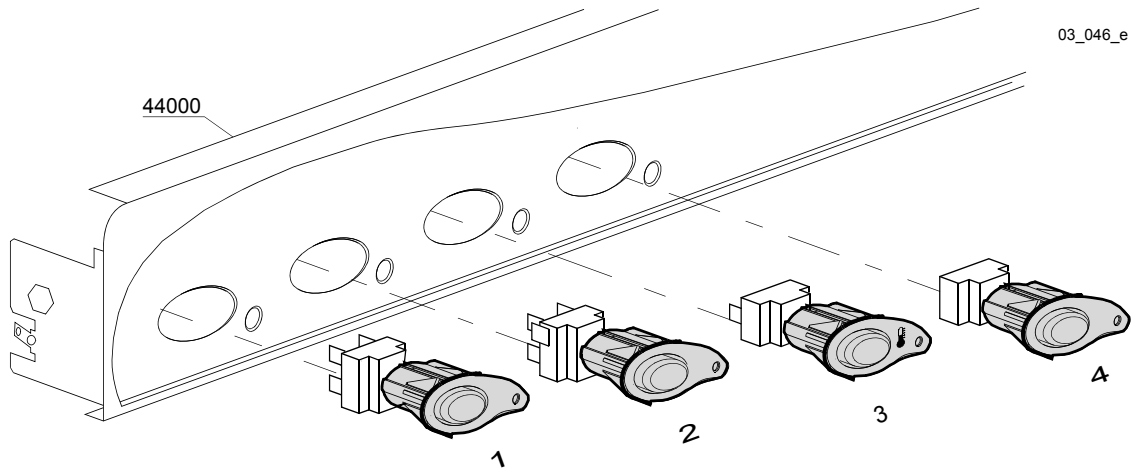
| ID                           | P-code   | SN from | SN to | Mod. | Acces. | Volt | Description                    |
|------------------------------|----------|---------|-------|------|--------|------|--------------------------------|
| <b>Module: Lockup system</b> |          |         |       |      |        |      |                                |
| 3800                         | 270005   |         | -     |      |        |      | Door                           |
| 3805                         | 270016   |         | -     |      |        |      | Lower door                     |
| 3810                         | 250041   |         | -     |      |        |      | Right/left door rod            |
| 3820                         | 150402/D |         | -     |      |        |      | Door jack                      |
| 3825                         | 270011   |         | -     |      |        |      | Stainless steel handle         |
| 3830                         | 11139    |         | -     |      |        |      | Stainless steel screw          |
| 3835                         | 11219    |         | -     |      |        |      | M5x25 stainless steel screw    |
| 3845                         | 250042   |         | -     |      |        |      | Hinge door rod                 |
| 3850                         | 11121    |         | -     |      |        |      | M4x8 screw (minimum 20 pieces) |
| 3855                         | 11703    |         | -     |      |        |      | M4 inox Plated nut             |

em=ELECTROMECHANICAL SWITCHES, lw=LOWER WASHING, uw=LOWER AND UPPER WASHING

102K=102K

bp=BOOSTER PUMP, dvgw=DVGW, cr=COLD RINSE, ws=WATER SOFTNER, dd=DETERGENT DISPENSER, dp=DRAIN PUMP

A=3/N/PE~380-400V 50-60Hz, D=3/PE~200-210V 50-60Hz, F=2/PE~220-240V 50-60Hz, G=3/N/PE~415V 50-60Hz, H=3/PE~220-230V 50-60Hz, K=3/PE~380-400V 50-60Hz, L=3/PE~415V 50-60Hz, M=3/PE~440V 60Hz, P=1/N/PE~220-230V 50-60Hz, R=2/PE~220-240V 50-60Hz, U=1/N/PE~240V 50-60Hz, V=3/PE~240V 50-60Hz, W=1/N/PE~100-110V 50-60Hz



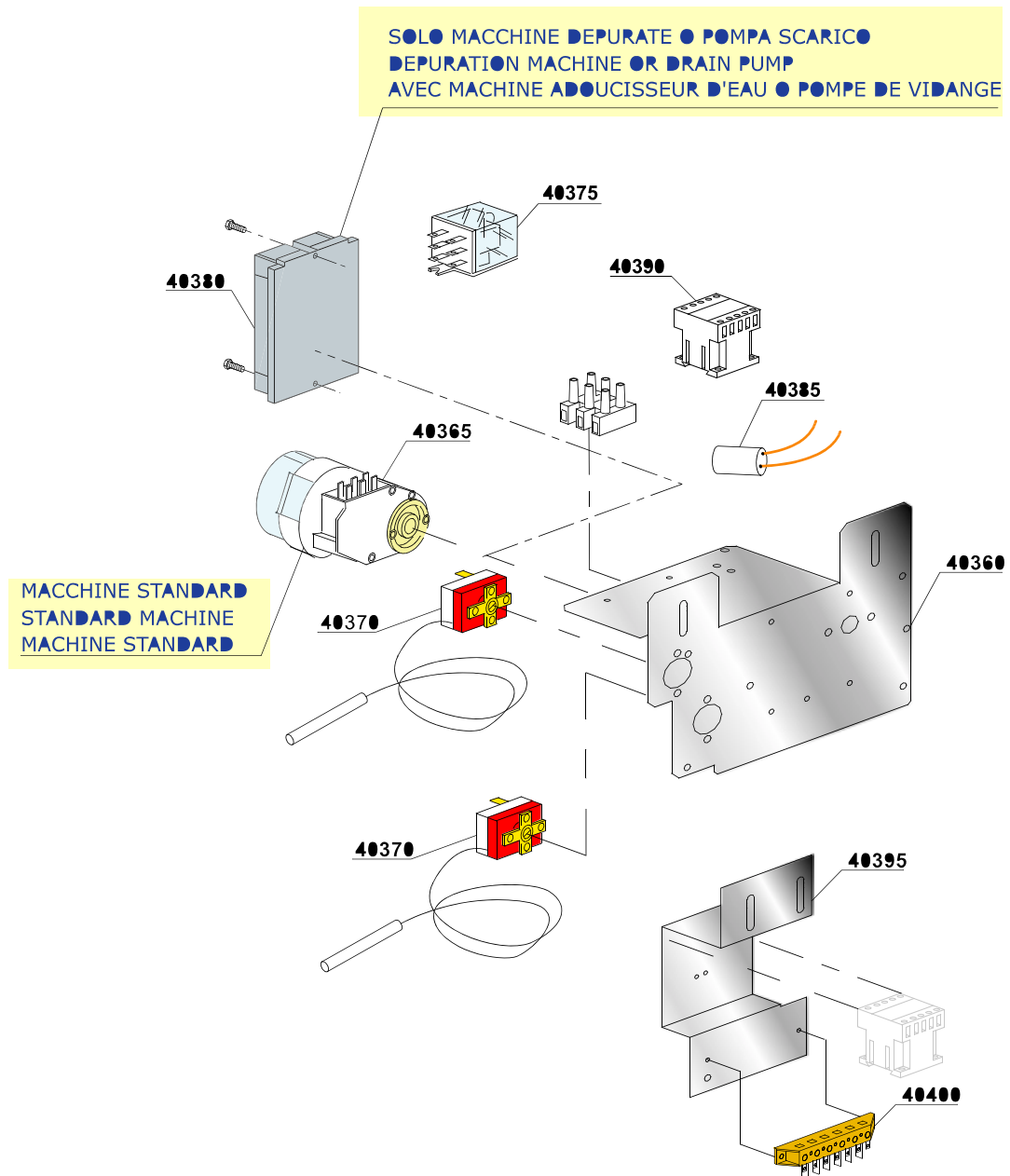
## Spare parts

| ID                                       | P-code  | SN from | SN to | Mod. | Acces. | Volt | Description                         |
|--|---------|---------|-------|------|--------|------|-------------------------------------|
| <b>Module:Control panel and switches</b> |         |         |       |      |        |      |                                     |
| 44000                                    | 270030  |         | -     | em   |        |      | Control panel                       |
| 44005                                    | 89344   |         | -     | em   | cr     |      | Touche chaud/froid                  |
| 44010                                    | 89343   |         | -     | em   | dp     |      | Drain pump push button (OPTIONAL)   |
| 44015                                    | 89341   |         | -     | em   |        |      | START push button                   |
| 44020                                    | 89348   |         | -     | em   |        |      | Blind push button                   |
| 44025                                    | 89340   |         | -     | em   |        |      | ON-OFF push button                  |
| 44030                                    | 89345   |         | -     | em   | ws     |      | Regeneration push button (OPTIONAL) |
| 44035                                    | 86006   |         | -     | em   |        |      | OR 2100 O-ring                      |
| 44040                                    | 86001   |         | -     | em   |        |      | Push button support                 |
| 44041                                    | 86002   |         | -     | em   |        |      | Temperature push button support     |
| 44045                                    | 15844   |         | -     | em   |        |      | Push button support                 |
| 44050                                    | 15813   |         | -     | em   |        |      | 16A unipolar switch                 |
| 44055                                    | 15812   |         | -     | em   |        |      | 16A bipolar switch                  |
| 44055                                    | 15800   |         | -     | em   |        |      | 16A switch                          |
| 44060                                    | 15811   |         | -     | em   |        |      | 16A bipolar switch                  |
| 44060                                    | 15811/A |         | -     | em   |        |      | 16A bipolar switch                  |
| 44065                                    | 15826   |         | -     | em   |        |      | Pilot light 220V                    |

em=ELECTROMECHANICAL SWITCHES, lw=LOWER WASHING, uw=LOWER AND UPPER WASHING  
102K=102K

bp=BOOSTER PUMP, dvgw=DVGW, cr=COLD RINSE, ws=WATER SOFTNER, dd=DETERGENT DISPENSER,  
dp=DRAIN PUMP

A=3/N/PE~380-400V 50-60Hz, D=3/PE~200-210V 50-60Hz, F=2/PE~220-240V 50-60Hz, G=3/N/PE~415V 50-60Hz,  
H=3/PE~220-230V 50-60Hz, K=3/PE~380-400V 50-60Hz, L=3/PE~415V 50-60Hz, M=3/PE~440V 60Hz, P=1/N/PE~220-  
230V 50-60Hz, R=2/PE~220-240V 50-60Hz, U=1/N/PE~240V 50-60Hz, V=3/PE~240V 50-60Hz, W=1/N/PE~100-110V  
50-60Hz



04\_043\_e

## Spare parts

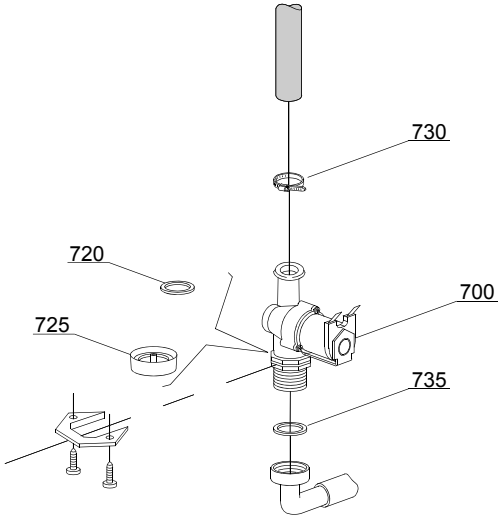
| ID  | P-code  | SN from | SN to | Mod.  | Acces. | Volt | Description                                |
|---|---------|---------|-------|-------|--------|------|--|
| <b>Module:Electric control components</b> |         |         |       |       |        |      |  |
| 40360                                     | 25020   |         | -     | em,uw |        |      | Electric component panel                   |
| 40365                                     | 10708/T |         | -     | em,uw | ws     |      | Timer 120" with thermostop - 230Vac 50Hz   |
| 40365                                     | 10708/E |         | -     | em,uw | ws     |      | Timer 120" with thermostop - 110Vac 60Hz   |
| 40370                                     | 10707/1 |         | -     | em,uw |        |      | 0-90°C thermostat                          |
| 40375                                     | 16047   |         | -     | em,uw |        |      | Tripolar relay 16A - 230Vac 50/60 Hz       |
| 40375                                     | 560303  |         | -     | em,uw |        |      | Finder relay 16A - 110V                    |
| 40375                                     | 15620   |         | -     | em,uw | dp     |      | 16A bipolar relay in deviation             |
| 40380                                     | 50553   |         | -     | em,uw | ws,dp  |      | 3 times electronic timer with regeneration |
| 40385                                     | 15146   |         | -     | em,uw |        |      | Low noise filter F3                        |
| 40390                                     | 15158   |         | -     | em,uw |        |      | Contactator 110V                           |
| 40395                                     | 401019  |         | -     | em,uw |        |      | Contactator support for extra power        |
| 40400                                     | 500551  |         | -     | em,uw |        |      | 6 poles terminal board                     |

em=ELECTROMECHANICAL SWITCHES, lw=LOWER WASHING, uw=LOWER AND UPPER WASHING

102K=102K

bp=BOOSTER PUMP, dvgw=DVGW, cr=COLD RINSE, ws=WATER SOFTNER, dd=DETERGENT DISPENSER, dp=DRAIN PUMP

A=3/N/PE~380-400V 50-60Hz, D=3/PE~200-210V 50-60Hz, F=2/PE~220-240V 50-60Hz, G=3/N/PE~415V 50-60Hz, H=3/PE~220-230V 50-60Hz, K=3/PE~380-400V 50-60Hz, L=3/PE~415V 50-60Hz, M=3/PE~440V 60Hz, P=1/N/PE~220-230V 50-60Hz, R=2/PE~220-240V 50-60Hz, U=1/N/PE~240V 50-60Hz, V=3/PE~240V 50-60Hz, W=1/N/PE~100-110V 50-60Hz



05\_002\_e



## Spare parts

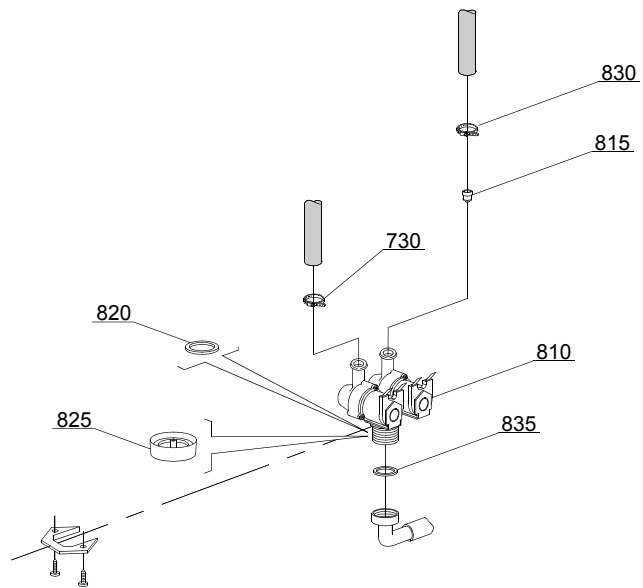
| ID                                 | P-code  | SN from | SN to | Mod. | Acces. | Volt | Description  |
|------------------------------------|---------|---------|-------|------|--------|------|--|
| <b>Module:Solenoid valve group</b> |         |         |       |      |        |      |  |
| 700                                | 10703   |         | -     | em   |        |      | Single solenoid valve - 230Vac                         |
| 700                                | 10703/A |         | -     | em   |        |      | Single solenoid valve - 110Vac                         |
| 720                                | N.C.    |         | -     | em   |        |      | Pression reducing valve                                |
| 725                                | 15315   |         | -     | em   |        |      | Red pression reducing valve support (minimum 2 pieces) |
| 730                                | 11807   |         | -     | em   |        |      | 12/22 clamp (minimum 3 pieces)                         |
| 735                                | 13307   |         | -     | em   |        |      | 3/4 gasket   |

em=ELECTROMECHANICAL SWITCHES, lw=LOWER WASHING, uw=LOWER AND UPPER WASHING

102K=102K

bp=BOOSTER PUMP, dvgw=DVGW, cr=COLD RINSE, ws=WATER SOFTNER, dd=DETERGENT DISPENSER, dp=DRAIN PUMP

A=3/N/PE~380-400V 50-60Hz, D=3/PE~200-210V 50-60Hz, F=2/PE~220-240V 50-60Hz, G=3/N/PE~415V 50-60Hz, H=3/PE~220-230V 50-60Hz, K=3/PE~380-400V 50-60Hz, L=3/PE~415V 50-60Hz, M=3/PE~440V 60Hz, P=1/N/PE~220-230V 50-60Hz, R=2/PE~220-240V 50-60Hz, U=1/N/PE~240V 50-60Hz, V=3/PE~240V 50-60Hz, W=1/N/PE~100-110V 50-60Hz



05\_003\_€

## Spare parts

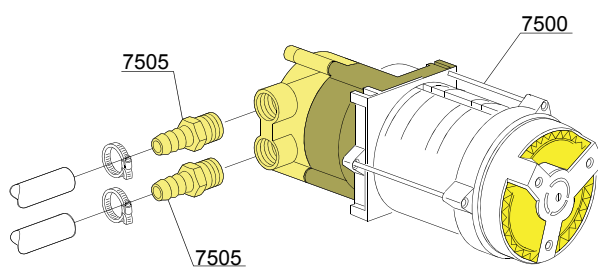
| ID                                 | P-code  | SN from | SN to | Mod. | Acces. | Volt | Description   |
|------------------------------------|---------|---------|-------|------|--------|------|---|
| <b>Module:Solenoid valve group</b> |         |         |       |      |        |      |   |
| 810                                | 15098   |         | -     | em   | cr,ws  |      | Double solenoid valve - Ø10 - 230Vac                              |
| 810                                | 15098/A |         | -     | em   | cr     |      | Double solenoid valve - 110Vac                                    |
| 815                                | 15115   |         | -     | em   | cr,ws  |      | Green pression solenoid valve for regeneration (minimum 2 pieces) |
| 820                                | N.C.    |         | -     | em   | cr,ws  |      | Pression reducing valve   |
| 825                                | 15315   |         | -     | em   | cr,ws  |      | Red pression reducing valve support (minimum 2 pieces)            |
| 825                                | 15315/A |         | -     | em   |        |      | Brown pression reducing valve support                             |
| 830                                | 11807   |         | -     | em   |        |      | 12/22 clamp (minimum 3 pieces)                                    |
| 835                                | 13307   |         | -     | em   |        |      | 3/4 gasket  |

em=ELECTROMECHANICAL SWITCHES, lw=LOWER WASHING, uw=LOWER AND UPPER WASHING  
102K=102K

bp=BOOSTER PUMP, dvgw=DVGW, cr=COLD RINSE, ws=WATER SOFTNER, dd=DETERGENT DISPENSER,  
dp=DRAIN PUMP

A=3/N/PE~380-400V 50-60Hz, D=3/PE~200-210V 50-60Hz, F=2/PE~220-240V 50-60Hz, G=3/N/PE~415V 50-60Hz,  
H=3/PE~220-230V 50-60Hz, K=3/PE~380-400V 50-60Hz, L=3/PE~415V 50-60Hz, M=3/PE~440V 60Hz, P=1/N/PE~220-  
230V 50-60Hz, R=2/PE~220-240V 50-60Hz, U=1/N/PE~240V 50-60Hz, V=3/PE~240V 50-60Hz, W=1/N/PE~100-110V  
50-60Hz

07\_003pe



VERSIONE STANDARD / VERSIONE POMPA AUM. PRESSIONE  
STANDARD VERSION / BOOSTER PUMP VERSION  
VERSION STANDARD / VERSION POMPE AUGMENT. PRESSION

## Spare parts

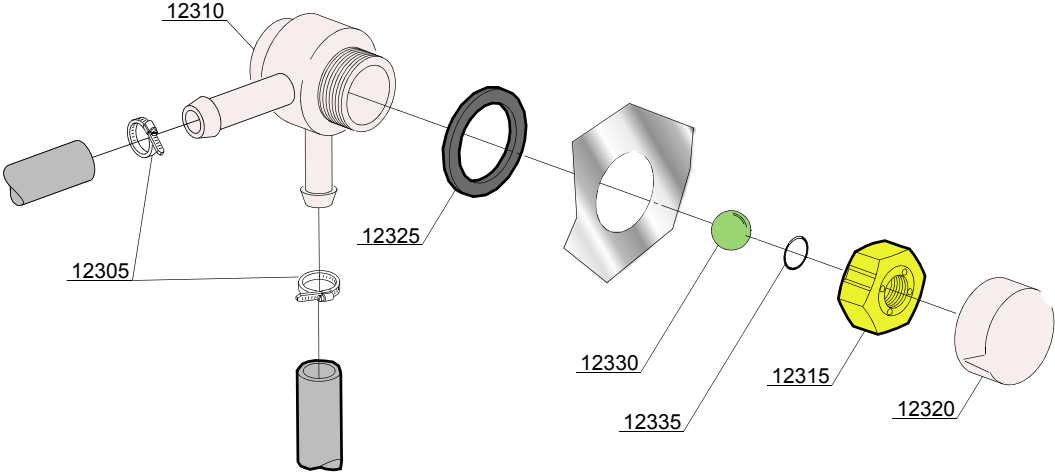
| ID                         | P-code   | SN from | SN to | Mod. | Acces. | Volt | Description                                 |
|----------------------------|----------|---------|-------|------|--------|------|---|
| <b>Module:Booster pump</b> |          |         |       |      |        |      |   |
| 7500                       | 15100/D  |         | -     | em   | bp     |      | Booster pump 220/240V - body pumps in brass |
| 7505                       | 10221311 |         | -     | em   | bp     |      | Rubber holder Ø 12 3/8G                     |

em=ELECTROMECHANICAL SWITCHES, lw=LOWER WASHING, uw=LOWER AND UPPER WASHING

102K=102K

bp=BOOSTER PUMP, dvgw=DVGW, cr=COLD RINSE, ws=WATER SOFTNER, dd=DETERGENT DISPENSER, dp=DRAIN PUMP

A=3/N/PE~380-400V 50-60Hz, D=3/PE~200-210V 50-60Hz, F=2/PE~220-240V 50-60Hz, G=3/N/PE~415V 50-60Hz, H=3/PE~220-230V 50-60Hz, K=3/PE~380-400V 50-60Hz, L=3/PE~415V 50-60Hz, M=3/PE~440V 60Hz, P=1/N/PE~220-230V 50-60Hz, R=2/PE~220-240V 50-60Hz, U=1/N/PE~240V 50-60Hz, V=3/PE~240V 50-60Hz, W=1/N/PE~100-110V 50-60Hz



08\_005xe

## Spare parts

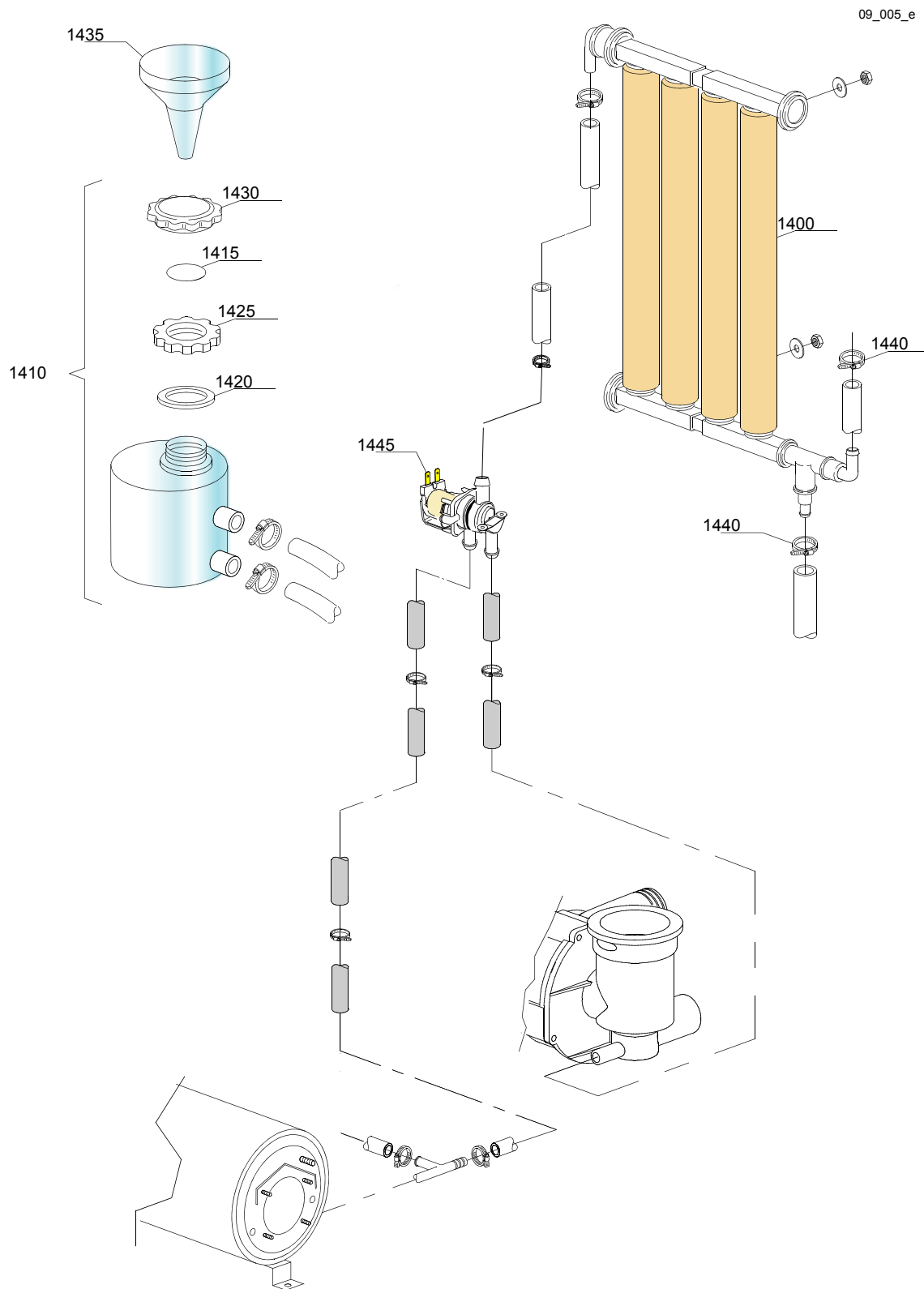
| ID                       | P-code | SN from | SN to | Mod. | Acces. | Volt | Description         |
|--------------------------|--------|---------|-------|------|--------|------|---------------------|
| <b>Module:DVGW valve</b> |        |         |       |      |        |      |                     |
| 12305                    | 11807  |         | -     |      | dvgw   |      | Clamp aisi430 12/22 |
| 12310                    | 15286  |         | -     |      | dvgw   |      | Valve body center   |
| 12315                    | 15281  |         | -     |      | dvgw   |      | Flat valve          |
| 12320                    | 15282  |         | -     |      | dvgw   |      | Flat valve cover    |
| 12325                    | 15283  |         | -     |      | dvgw   |      | Valve gasket        |
| 12330                    | 15284  |         | -     |      | dvgw   |      | Sphere              |
| 12335                    | 15285  |         | -     |      | dvgw   |      | O-ring 115 KTW      |

em=ELECTROMECHANICAL SWITCHES, lw=LOWER WASHING, uw=LOWER AND UPPER WASHING

102K=102K

bp=BOOSTER PUMP, dvgw=DVGW, cr=COLD RINSE, ws=WATER SOFTNER, dd=DETERGENT DISPENSER, dp=DRAIN PUMP

A=3/N/PE~380-400V 50-60Hz, D=3/PE~200-210V 50-60Hz, F=2/PE~220-240V 50-60Hz, G=3/N/PE~415V 50-60Hz, H=3/PE~220-230V 50-60Hz, K=3/PE~380-400V 50-60Hz, L=3/PE~415V 50-60Hz, M=3/PE~440V 60Hz, P=1/N/PE~220-230V 50-60Hz, R=2/PE~220-240V 50-60Hz, U=1/N/PE~240V 50-60Hz, V=3/PE~240V 50-60Hz, W=1/N/PE~100-110V 50-60Hz





## Spare parts

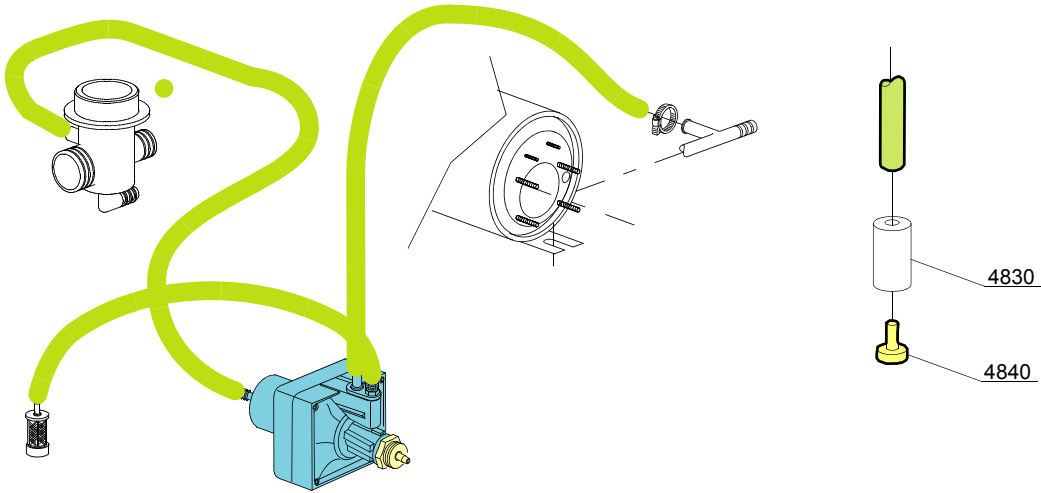
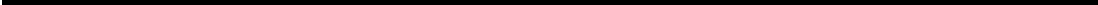
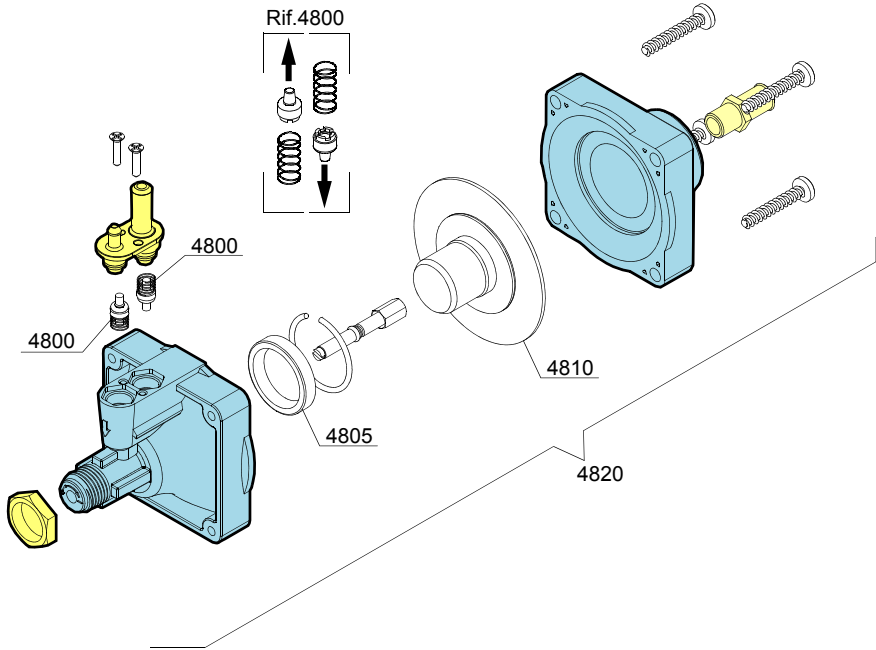
| ID                                 | P-code  | SN from | SN to | Mod. | Acces. | Volt | Description                    |
|------------------------------------|---------|---------|-------|------|--------|------|--------------------------------|
| <b>Module: Water softner group</b> |         |         |       |      |        |      |                                |
| 1400                               | 16066   |         | -     | em   | ws     |      | 4 elements water softner       |
| 1410                               | 16065   |         | -     | em   | ws     |      | Salt container                 |
| 1415                               | 16067/A |         | -     | em   | ws     |      | OR O-ring                      |
| 1420                               | 16067/B |         | -     | em   | ws     |      | O-ring                         |
| 1425                               | 16067/C |         | -     | em   | ws     |      | Ring nut                       |
| 1430                               | 16067/D |         | -     | em   | ws     |      | Plug                           |
| 1435                               | 16082   |         | -     | em   | ws     |      | Funnel                         |
| 1440                               | 11807   |         | -     | em   | ws     |      | 12/22 clamp (minimum 3 pieces) |
| 1445                               | 15213   |         | -     | em   | ws     |      | Single solenoid valve          |

em=ELECTROMECHANICAL SWITCHES, lw=LOWER WASHING, uw=LOWER AND UPPER WASHING

102K=102K

bp=BOOSTER PUMP, dvgw=DVGW, cr=COLD RINSE, ws=WATER SOFTNER, dd=DETERGENT DISPENSER, dp=DRAIN PUMP

A=3/N/PE~380-400V 50-60Hz, D=3/PE~200-210V 50-60Hz, F=2/PE~220-240V 50-60Hz, G=3/N/PE~415V 50-60Hz, H=3/PE~220-230V 50-60Hz, K=3/PE~380-400V 50-60Hz, L=3/PE~415V 50-60Hz, M=3/PE~440V 60Hz, P=1/N/PE~220-230V 50-60Hz, R=2/PE~220-240V 50-60Hz, U=1/N/PE~240V 50-60Hz, V=3/PE~240V 50-60Hz, W=1/N/PE~100-110V 50-60Hz



10\_006\_e

## Spare parts

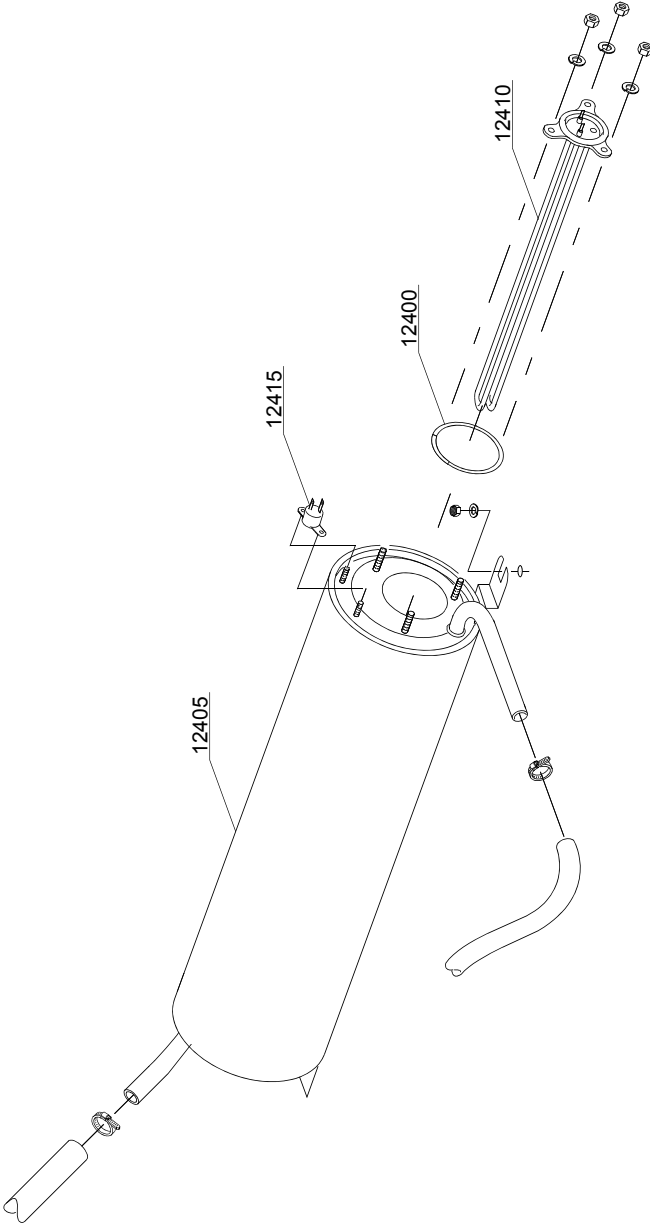
| ID                                       | P-code | SN from | SN to | Mod. | Acces. | Volt | Description                     |
|--|--------|---------|-------|------|--------|------|---------------------------------|
| <b>Module: Rinse aid dispenser group</b> |        |         |       |      |        |      |                                 |
| 4800                                     | 10805  |         | -     | em   |        |      | Tecnopro non return valve       |
| 4805                                     | 10806  |         | -     | em   |        |      | Ø22 O-ring                      |
| 4810                                     | 10807  |         | -     | em   |        |      | Membrane                        |
| 4820                                     | 10799  |         | -     | em   |        |      | TECNO PRO rinse aid dispenser   |
| 4830                                     | 12525  |         | -     | em   |        |      | Ballast                         |
| 4840                                     | 15058  |         | -     | em   |        |      | Small filter (minimum 3 pieces) |

em=ELECTROMECHANICAL SWITCHES, lw=LOWER WASHING, uw=LOWER AND UPPER WASHING

102K=102K

bp=BOOSTER PUMP, dvgw=DVGW, cr=COLD RINSE, ws=WATER SOFTNER, dd=DETERGENT DISPENSER, dp=DRAIN PUMP

A=3/N/PE~380-400V 50-60Hz, D=3/PE~200-210V 50-60Hz, F=2/PE~220-240V 50-60Hz, G=3/N/PE~415V 50-60Hz, H=3/PE~220-230V 50-60Hz, K=3/PE~380-400V 50-60Hz, L=3/PE~415V 50-60Hz, M=3/PE~440V 60Hz, P=1/N/PE~220-230V 50-60Hz, R=2/PE~220-240V 50-60Hz, U=1/N/PE~240V 50-60Hz, V=3/PE~240V 50-60Hz, W=1/N/PE~100-110V 50-60Hz



11\_007pe

## Spare parts

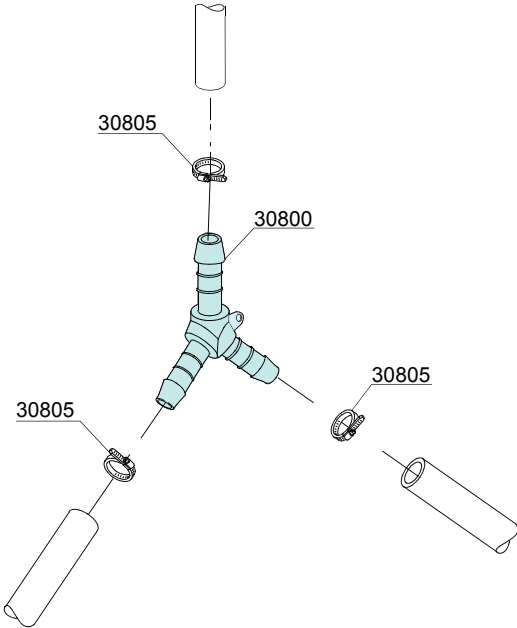
| ID                         | P-code  | SN from | SN to | Mod. | Acces. | Volt | Description                          |
|----------------------------|---------|---------|-------|------|--------|------|--------------------------------------|
| <b>Module:Boiler group</b> |         |         |       |      |        |      |                                      |
| 12400                      | 13010   |         | -     | em   |        |      | OR O-ring (minimum 5 pieces)         |
| 12405                      | 140905  |         | -     | em   |        |      | Boiler                               |
| 12410                      | 18206/B |         | -     | em   |        |      | 2,4/2,61KW 110V heating element      |
| 12410                      | 18206   |         | -     | em   |        |      | 2,4/2,61KW 230/240V heating element  |
| 12410                      | 18206/D |         | -     | em   |        |      | 2,8/3,05KW 230/240V heating element  |
| 12410                      | 16035/A |         | -     | em   |        |      | 1,85/2,61KW 230/240V heating element |
| 12415                      | 15550   |         | -     | em   |        |      | Safety thermostat                    |

em=ELECTROMECHANICAL SWITCHES, lw=LOWER WASHING, uw=LOWER AND UPPER WASHING

102K=102K

bp=BOOSTER PUMP, dvgw=DVGW, cr=COLD RINSE, ws=WATER SOFTNER, dd=DETERGENT DISPENSER, dp=DRAIN PUMP

A=3/N/PE~380-400V 50-60Hz, D=3/PE~200-210V 50-60Hz, F=2/PE~220-240V 50-60Hz, G=3/N/PE~415V 50-60Hz, H=3/PE~220-230V 50-60Hz, K=3/PE~380-400V 50-60Hz, L=3/PE~415V 50-60Hz, M=3/PE~440V 60Hz, P=1/N/PE~220-230V 50-60Hz, R=2/PE~220-240V 50-60Hz, U=1/N/PE~240V 50-60Hz, V=3/PE~240V 50-60Hz, W=1/N/PE~100-110V 50-60Hz



12\_003pe

## Spare parts

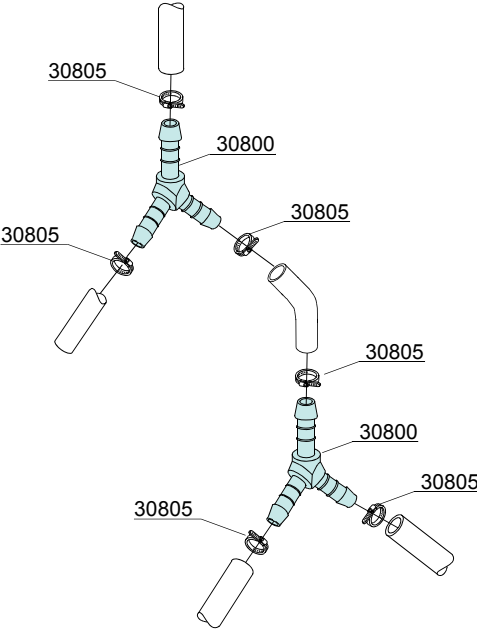
| ID                              | P-code | SN from | SN to | Mod. | Acces. | Volt | Description                      |
|---------------------------------|--------|---------|-------|------|--------|------|----------------------------------|
| <b>Module:3 ways connection</b> |        |         |       |      |        |      |                                  |
| 30800                           | 540090 |         | -     | em   |        |      | Ø10 mm plastic 3 ways connection |
| 30805                           | 11807  |         | -     | em   |        |      | 12/22 clamp (minimum 3 pieces)   |

em=ELECTROMECHANICAL SWITCHES, lw=LOWER WASHING, uw=LOWER AND UPPER WASHING

102K=102K

bp=BOOSTER PUMP, dvgw=DVGW, cr=COLD RINSE, ws=WATER SOFTNER, dd=DETERGENT DISPENSER, dp=DRAIN PUMP

A=3/N/PE~380-400V 50-60Hz, D=3/PE~200-210V 50-60Hz, F=2/PE~220-240V 50-60Hz, G=3/N/PE~415V 50-60Hz, H=3/PE~220-230V 50-60Hz, K=3/PE~380-400V 50-60Hz, L=3/PE~415V 50-60Hz, M=3/PE~440V 60Hz, P=1/N/PE~220-230V 50-60Hz, R=2/PE~220-240V 50-60Hz, U=1/N/PE~240V 50-60Hz, V=3/PE~240V 50-60Hz, W=1/N/PE~100-110V 50-60Hz



12\_010pe



## Spare parts

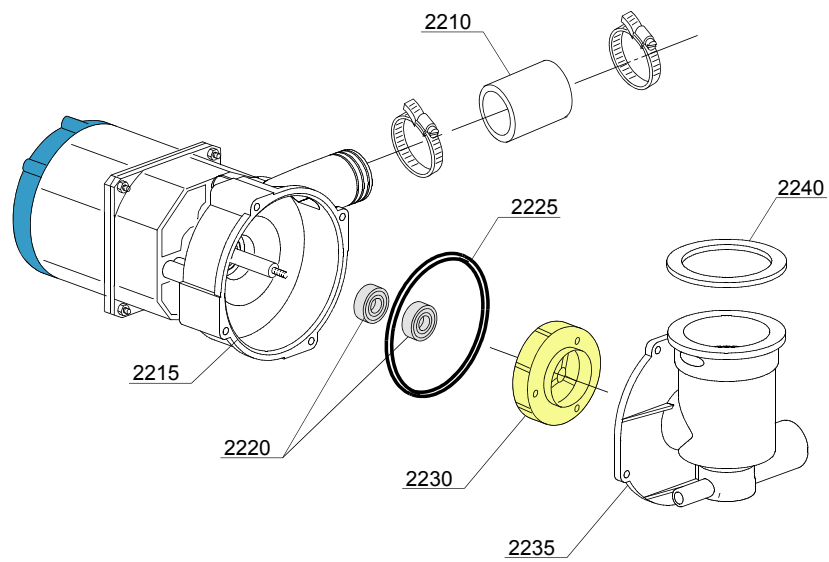
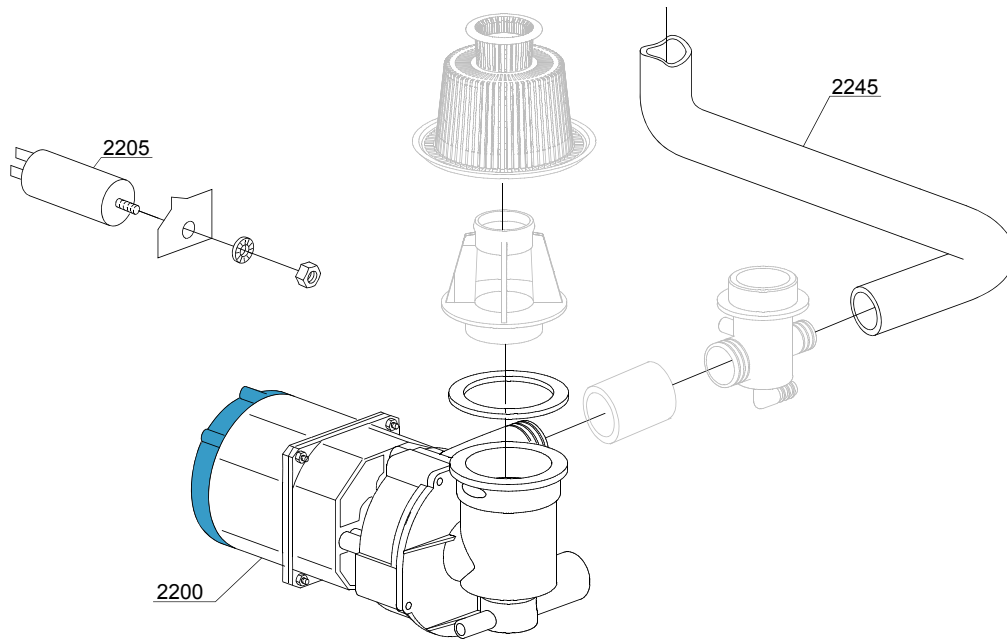
| ID                              | P-code | SN from | SN to | Mod. | Acces. | Volt | Description                      |
|---------------------------------|--------|---------|-------|------|--------|------|----------------------------------|
| <b>Module:4 ways connection</b> |        |         |       |      |        |      |                                  |
| 30800                           | 540090 |         | -     | em   | cr     |      | Ø10 mm plastic 3 ways connection |
| 30805                           | 11807  |         | -     | em   | cr     |      | 12/22 clamp (minimum 3 pieces)   |

em=ELECTROMECHANICAL SWITCHES, lw=LOWER WASHING, uw=LOWER AND UPPER WASHING

102K=102K

bp=BOOSTER PUMP, dvgw=DVGW, cr=COLD RINSE, ws=WATER SOFTNER, dd=DETERGENT DISPENSER, dp=DRAIN PUMP

A=3/N/PE~380-400V 50-60Hz, D=3/PE~200-210V 50-60Hz, F=2/PE~220-240V 50-60Hz, G=3/N/PE~415V 50-60Hz, H=3/PE~220-230V 50-60Hz, K=3/PE~380-400V 50-60Hz, L=3/PE~415V 50-60Hz, M=3/PE~440V 60Hz, P=1/N/PE~220-230V 50-60Hz, R=2/PE~220-240V 50-60Hz, U=1/N/PE~240V 50-60Hz, V=3/PE~240V 50-60Hz, W=1/N/PE~100-110V 50-60Hz



13\_132\_e

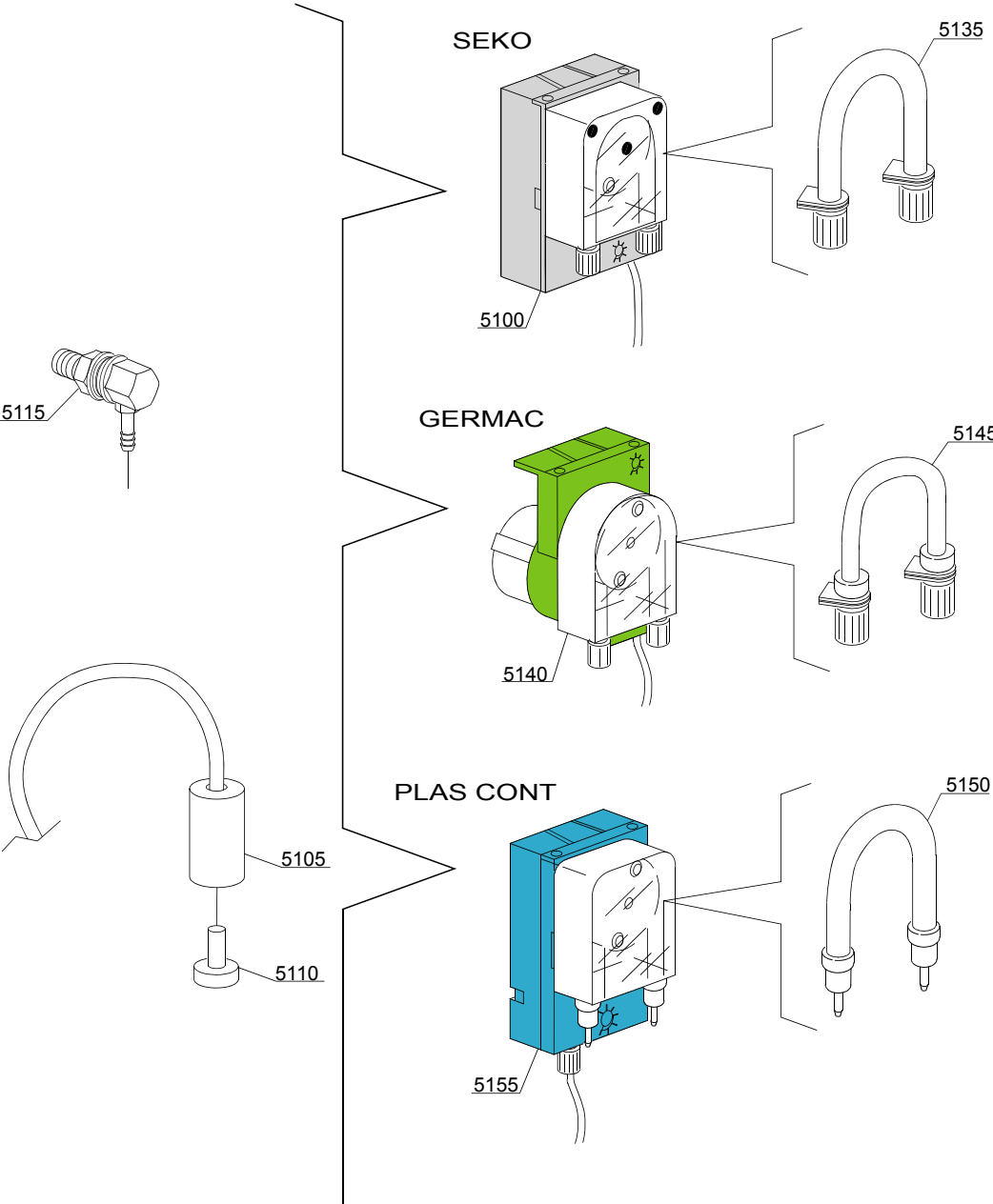
## Spare parts

| ID                       | P-code  | SN from | SN to | Mod. | Acces. | Volt | Description                               |
|--------------------------|---------|---------|-------|------|--------|------|---|
| <b>Module: Wash pump</b> |         |         |       |      |        |      |   |
| 2200                     | 25024   |         | -     | lw   |        |      | 250W wash pump - 230V 50Hz                |
| 2200                     | 25025   |         | -     | lw   |        |      | 250W wash pump - 220V 60Hz                |
| 2200                     | 25026   |         | -     | lw   |        |      | 250W wash pump - 110V 60Hz                |
| 2205                     | 10702   |         | -     | lw   |        |      | 5 uF condenser - 450V                     |
| 2210                     | 25019   |         | -     | lw   |        |      | Pump-turret pipe coupling                 |
| 2215                     | 25000   |         | -     | lw   |        |      | Back Flange RL/09                         |
| 2220                     | 15080   |         | -     | lw   |        |      | Pump shaft O-rings                        |
| 2225                     | 25029   |         | -     | lw   |        |      | 85x1,5 RL/09 OR O-ring                    |
| 2230                     | 25024/A |         | -     | lw   |        |      | Pump rotor (50Hz)                         |
| 2230                     | 25024/B |         | -     | lw   |        |      | Pump rotor (60Hz)                         |
| 2235                     | 25001   |         | -     | lw   |        |      | Front flange RL/09                        |
| 2240                     | 25009   |         | -     | lw   |        |      | Water trap gasket                         |
| 2245                     | 25018   |         | -     | lw   |        |      | Connecting pipe to the upper washing arms |

em=ELECTROMECHANICAL SWITCHES, lw=LOWER WASHING, uw=LOWER AND UPPER WASHING  
102K=102K

bp=BOOSTER PUMP, dvgw=DVGW, cr=COLD RINSE, ws=WATER SOFTNER, dd=DETERGENT DISPENSER,  
dp=DRAIN PUMP

A=3/N/PE~380-400V 50-60Hz, D=3/PE~200-210V 50-60Hz, F=2/PE~220-240V 50-60Hz, G=3/N/PE~415V 50-60Hz,  
H=3/PE~220-230V 50-60Hz, K=3/PE~380-400V 50-60Hz, L=3/PE~415V 50-60Hz, M=3/PE~440V 60Hz, P=1/N/PE~220-  
230V 50-60Hz, R=2/PE~220-240V 50-60Hz, U=1/N/PE~240V 50-60Hz, V=3/PE~240V 50-60Hz, W=1/N/PE~100-110V  
50-60Hz



14\_004pe

## Spare parts

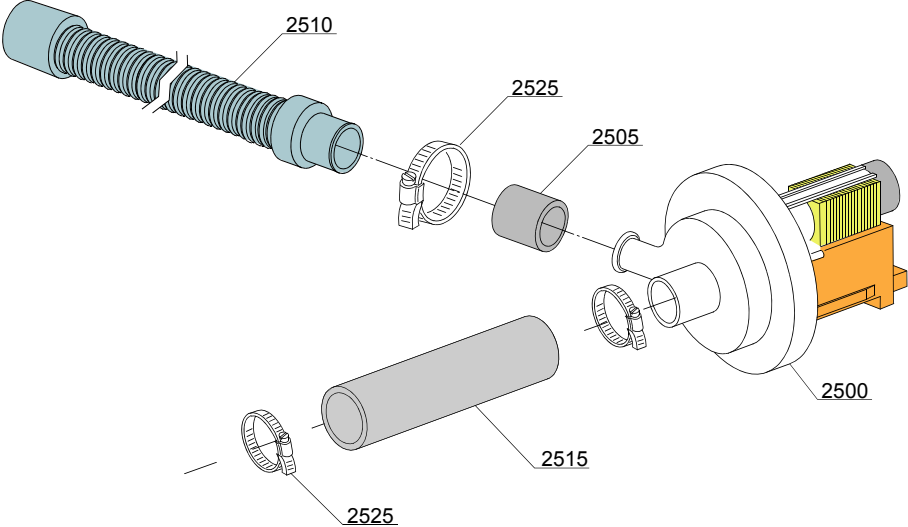
| ID                                   | P-code  | SN from | SN to | Mod. | Acces. | Volt | Description                     |
|--------------------------------------|---------|---------|-------|------|--------|------|---------------------------------|
| <b>Module:Dosing detergent group</b> |         |         |       |      |        |      |                                 |
| 5100                                 | 15985   |         | -     | em   | dd     |      | Seko detergent pump             |
| 5105                                 | 12525   |         | -     | em   | dd     |      | Ballast                         |
| 5110                                 | 15058   |         | -     | em   | dd     |      | Small filter (minimum 3 pieces) |
| 5115                                 | 15123   |         | -     | em   | dd     |      | Compleat plastic injector       |
| 5135                                 | 15185   |         | -     | em   | dd     |      | Seko thermoplastic pipe         |
| 5140                                 | 15985   |         | -     | em   | dd     |      | Germac detergent pump           |
| 5145                                 | 15108/E |         | -     | em   | dd     |      | Germac thermoplastic pipe       |
| 5150                                 | 15985/A |         |       | em   | dd     |      | Plas Cont thermoplastic pipe    |
| 5155                                 | 15985   |         |       | em   | dd     |      | Plas Cont detergent pump        |

em=ELECTROMECHANICAL SWITCHES, lw=LOWER WASHING, uw=LOWER AND UPPER WASHING

102K=102K

bp=BOOSTER PUMP, dvgw=DVGW, cr=COLD RINSE, ws=WATER SOFTNER, dd=DETERGENT DISPENSER, dp=DRAIN PUMP

A=3/N/PE~380-400V 50-60Hz, D=3/PE~200-210V 50-60Hz, F=2/PE~220-240V 50-60Hz, G=3/N/PE~415V 50-60Hz, H=3/PE~220-230V 50-60Hz, K=3/PE~380-400V 50-60Hz, L=3/PE~415V 50-60Hz, M=3/PE~440V 60Hz, P=1/N/PE~220-230V 50-60Hz, R=2/PE~220-240V 50-60Hz, U=1/N/PE~240V 50-60Hz, V=3/PE~240V 50-60Hz, W=1/N/PE~100-110V 50-60Hz



15\_004ce

## Spare parts

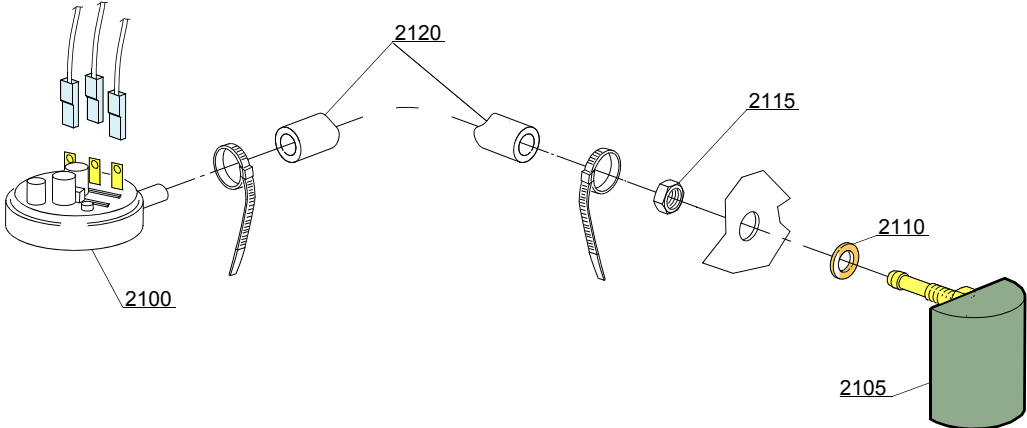
| ID                             | P-code  | SN from | SN to | Mod. | Acces. | Volt | Description                     |
|--------------------------------|---------|---------|-------|------|--------|------|---------------------------------|
| <b>Module:Drain pump group</b> |         |         |       |      |        |      |                                 |
| 2500                           | 15101   |         | -     | em   | dp     |      | Drain pump 220/240V 50Hz        |
| 2500                           | 15101/B |         | -     | em   | dp     |      | Drain pump 220V 60Hz            |
| 2505                           | 15101/D |         | -     | em   | dp     |      | Pipe fitting (minimum 3 pieces) |
| 2510                           | 10727   |         | -     | em   | dp     |      | Drain pipe                      |
| 2515                           | 18044   |         | -     | em   | dp     |      | Ø28 top wash pipe               |
| 2525                           | 11806   |         | -     | em   | dp     |      | 25/40 clamp (minimum 2 pieces)  |

em=ELECTROMECHANICAL SWITCHES, lw=LOWER WASHING, uw=LOWER AND UPPER WASHING

102K=102K

bp=BOOSTER PUMP, dvgw=DVGW, cr=COLD RINSE, ws=WATER SOFTNER, dd=DETERGENT DISPENSER, dp=DRAIN PUMP

A=3/N/PE~380-400V 50-60Hz, D=3/PE~200-210V 50-60Hz, F=2/PE~220-240V 50-60Hz, G=3/N/PE~415V 50-60Hz, H=3/PE~220-230V 50-60Hz, K=3/PE~380-400V 50-60Hz, L=3/PE~415V 50-60Hz, M=3/PE~440V 60Hz, P=1/N/PE~220-230V 50-60Hz, R=2/PE~220-240V 50-60Hz, U=1/N/PE~240V 50-60Hz, V=3/PE~240V 50-60Hz, W=1/N/PE~100-110V 50-60Hz



16\_001\_e



## Spare parts

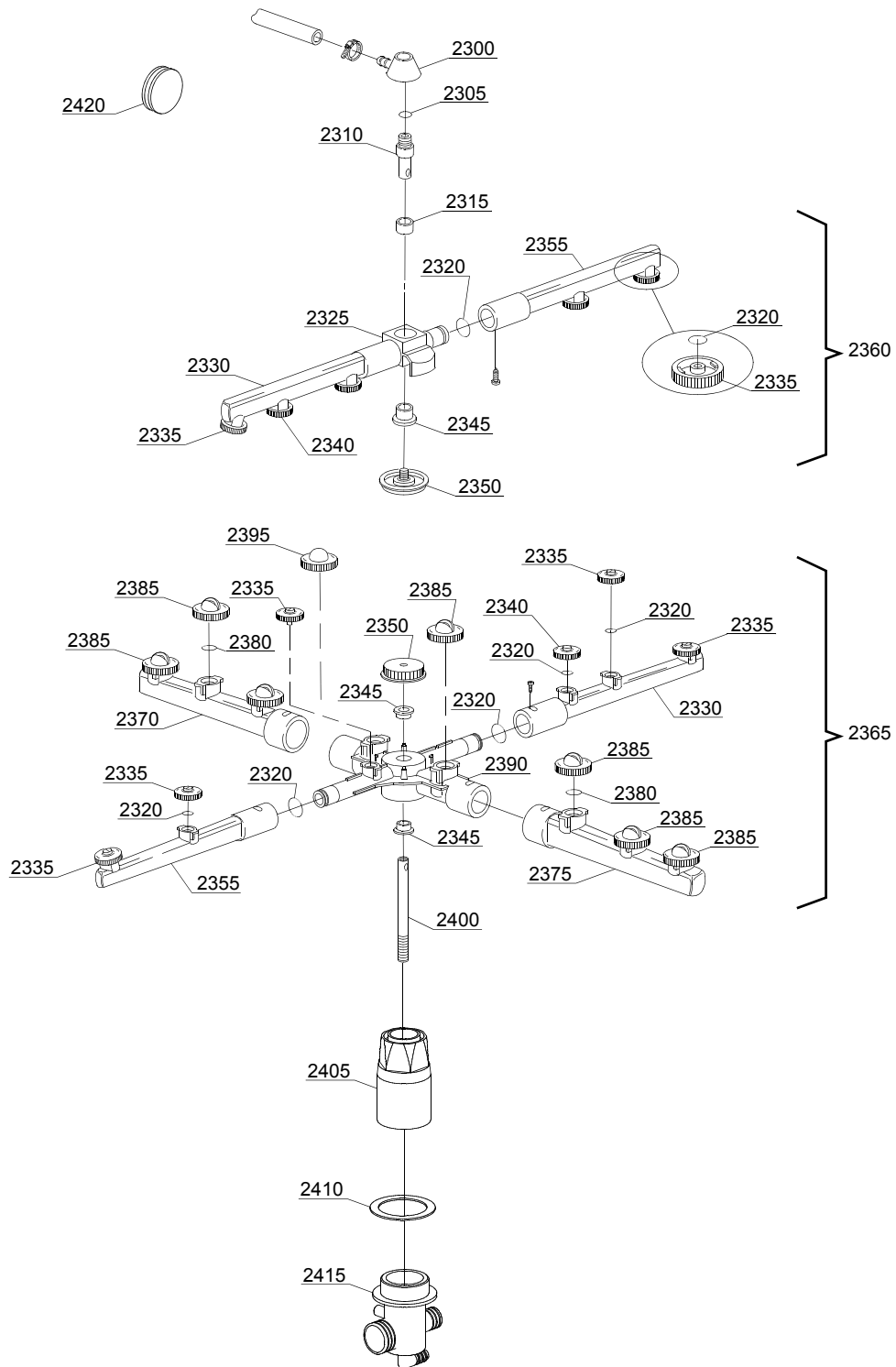
| ID  | P-code   | SN from | SN to | Mod. | Acces. | Volt | Description                                |
|---|----------|---------|-------|------|--------|------|--|
| <b>Module:Pressure switch group with air trap</b> |          |         |       |      |        |      |  |
| 2100  | 10706/A  |         | -     | em   |        |      | 47-27 pressure switch                      |
| 2105  | 135911/C |         | -     | em   |        |      | Grey air trap assembly                     |
| 2110  | 13301    |         | -     | em   |        |      | O-ring (minimum 10 pieces) - D14x8x1,5     |
| 2115  | 11702    |         | -     | em   |        |      | M8 stainless steel nut (minimum 10 pieces) |
| 2120  | 14508    |         | -     | em   |        |      | 4,5X9 EPDM rubber hose (minimum 2mt)       |

em=ELECTROMECHANICAL SWITCHES, lw=LOWER WASHING, uw=LOWER AND UPPER WASHING

102K=102K

bp=BOOSTER PUMP, dvgw=DVGW, cr=COLD RINSE, ws=WATER SOFTNER, dd=DETERGENT DISPENSER, dp=DRAIN PUMP

A=3/N/PE~380-400V 50-60Hz, D=3/PE~200-210V 50-60Hz, F=2/PE~220-240V 50-60Hz, G=3/N/PE~415V 50-60Hz, H=3/PE~220-230V 50-60Hz, K=3/PE~380-400V 50-60Hz, L=3/PE~415V 50-60Hz, M=3/PE~440V 60Hz, P=1/N/PE~220-230V 50-60Hz, R=2/PE~220-240V 50-60Hz, U=1/N/PE~240V 50-60Hz, V=3/PE~240V 50-60Hz, W=1/N/PE~100-110V 50-60Hz



17\_139\_e

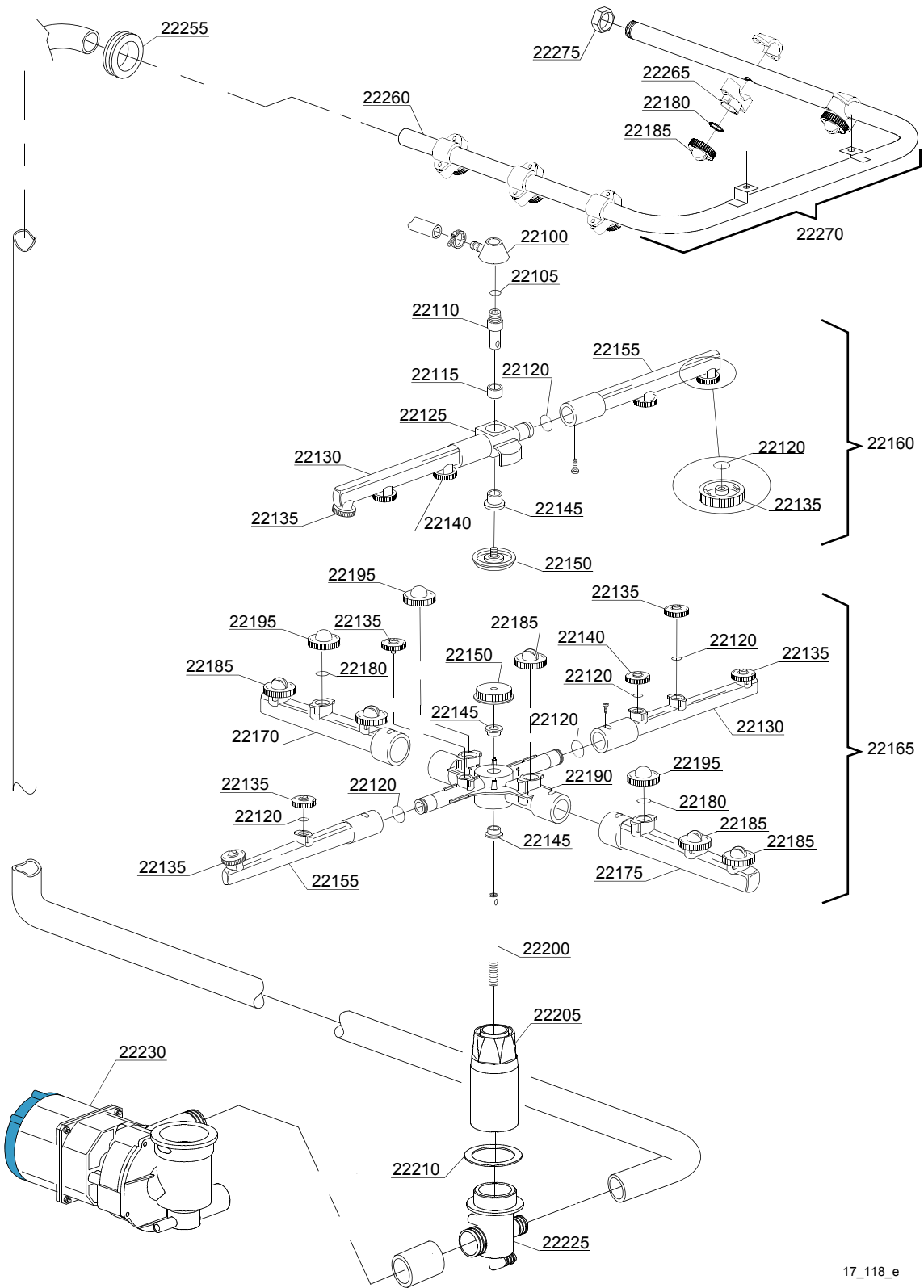
## Spare parts

| ID  | P-code | SN from | SN to | Mod. | Acces. | Volt | Description                             |
|---|--------|---------|-------|------|--------|------|---|
| <b>Module:Turret group with rotating arms</b> |        |         |       |      |        |      |   |
| 2300  | 350402 |         | -     | lw   |        |      | Top turret rinse hub                    |
| 2305  | 13003  |         | -     | lw   |        |      | OR 112 NBR O-ring (minimum 10 pieces)   |
| 2310  | 350401 |         | -     | lw   |        |      | Upper axle rinse hub                    |
| 2315  | 13320  |         | -     | lw   |        |      | Sliding washer (minimum 3 pieces)       |
| 2320  | 13002  |         | -     | lw   |        |      | OR R6 NBR O-ring (minimum 10 pieces)    |
| 2325  | 10373  |         | -     | lw   |        |      | Top hub for rotor                       |
| 2330  | 10375  |         | -     | lw   |        |      | Left rinse pipe                         |
| 2335  | 10371  |         | -     | lw   |        |      | Opened rinse nozzle (minimum 5 pieces)  |
| 2340  | 10372  |         | -     | lw   |        |      | Closed rinse nozzle (minimum 2 pieces)  |
| 2345  | 13319  |         | -     | lw   |        |      | Sliding washer (minimum 2 pieces)       |
| 2350  | 10377  |         | -     | lw   |        |      | Handle with insert                      |
| 2355  | 10374  |         | -     | lw   |        |      | Right rinse pipe                        |
| 2360  | 10997  |         | -     | lw   |        |      | Top rinse group                         |
| 2365  | 10999  |         | -     | lw   |        |      | Wash/rinse group                        |
| 2370  | 10367  |         | -     | lw   |        |      | Right wash pipe                         |
| 2375  | 10368  |         | -     | lw   |        |      | Left wash pipe                          |
| 2380  | 13009  |         | -     | lw   |        |      | OR 2050 NBR O-ring (minimum 40 pieces)  |
| 2385  | 10369  |         | -     | lw   |        |      | Opened rinse nozzle (minimum 2 pieces)  |
| 2390  | 10376  |         | -     | lw   |        |      | Wash rotor                              |
| 2395  | 10370  |         | -     | lw   |        |      | Closed wash nozzle (minimum 2 pieces)   |
| 2400  | 25011  |         | -     | lw   |        |      | Lower stainless steel ground axle RL/09 |
| 2405  | 25008  |         | -     | lw   |        |      | Bell-shape RL/09                        |
| 2410  | 25010  |         | -     | lw   |        |      | RL/09 O-ring (minimum 5 pieces)         |
| 2415  | 25005  |         | -     | lw   |        |      | Lower grey wash turret RL/09            |
| 2420  | 25013  |         | -     | lw   |        |      | O-ring closed RL/09                     |

em=ELECTROMECHANICAL SWITCHES, lw=LOWER WASHING, uw=LOWER AND UPPER WASHING  
102K=102K

bp=BOOSTER PUMP, dvgw=DVGW, cr=COLD RINSE, ws=WATER SOFTNER, dd=DETERGENT DISPENSER,  
dp=DRAIN PUMP

A=3/N/PE~380-400V 50-60Hz, D=3/PE~200-210V 50-60Hz, F=2/PE~220-240V 50-60Hz, G=3/N/PE~415V 50-60Hz,  
H=3/PE~220-230V 50-60Hz, K=3/PE~380-400V 50-60Hz, L=3/PE~415V 50-60Hz, M=3/PE~440V 60Hz, P=1/N/PE~220-  
230V 50-60Hz, R=2/PE~220-240V 50-60Hz, U=1/N/PE~240V 50-60Hz, V=3/PE~240V 50-60Hz, W=1/N/PE~100-110V  
50-60Hz



17\_118\_e

## Spare parts

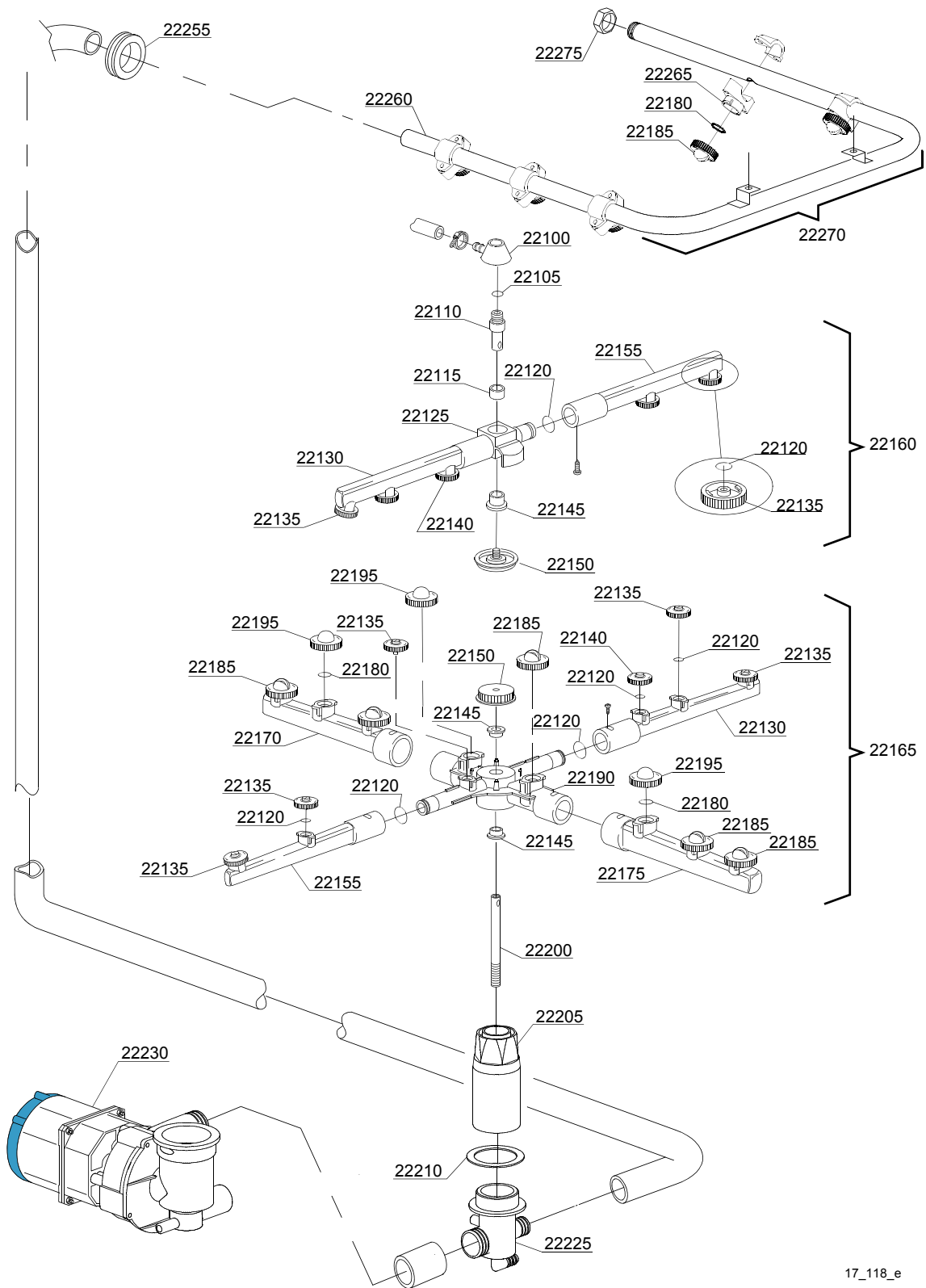
| ID  | P-code | SN from | SN to | Mod. | Acces. | Volt | Description                                 |
|---|--------|---------|-------|------|--------|------|---|
| <b>Module:Turret group with rotating arms</b> |        |         |       |      |        |      |   |
| 22100   | 350402 |         | -     | uw   |        |      | Top turret rinse hub                        |
| 22105   | 13003  |         | -     | uw   |        |      | OR 112 NBR O-ring (minimum 10 pieces)       |
| 22110   | 350401 |         | -     | uw   |        |      | Lower axle rinse hub                        |
| 22115   | 13320  |         | -     | uw   |        |      | Sliding washer (minimum 3 pieces)           |
| 22120   | 13002  |         | -     | uw   |        |      | OR R6 NBR O-ring (minimum 10 pieces)        |
| 22125   | 10373  |         | -     | uw   |        |      | Top hub for rotor                           |
| 22130   | 10375  |         | -     | uw   |        |      | Left rinse pipe                             |
| 22135   | 10371  |         | -     | uw   |        |      | Opened head rinse nozzle (minimum 5 pieces) |
| 22140   | 10372  |         | -     | uw   |        |      | Closed head rinse nozzle (minimum 2 pieces) |
| 22145   | 13319  |         | -     | uw   |        |      | Sliding washer (minimum 2 pieces)           |
| 22150   | 10377  |         | -     | uw   |        |      | Handle with insert                          |
| 22155   | 10374  |         | -     | uw   |        |      | Right rinse pipe                            |
| 22160   | 10997  |         | -     | uw   |        |      | Top rinse group                             |
| 22165   | 18996  |         | -     | uw   |        |      | Lower wash/rinse group                      |
| 22170   | 10367  |         | -     | uw   |        |      | Right wash pipe                             |
| 22175   | 10368  |         | -     | uw   |        |      | Left wash pipe                              |
| 22180   | 13009  |         | -     | uw   |        |      | OR 2050 NBR O-ring (minimum 40 pieces)      |
| 22185   | 10378  |         | -     | uw   |        |      | Opened head wash nozzle (minimum 2 pieces)  |
| 22190   | 540043 |         | -     | uw   |        |      | Wash rotor                                  |
| 22195   | 10370  |         | -     | uw   |        |      | Closed head wash nozzle (minimum 2 pieces)  |
| 22200   | 25012  |         | -     | uw   |        |      | Stainless steel ground axle                 |
| 22205   | 25007  |         | -     | uw   |        |      | Bell-shape RL/09                            |
| 22210   | 25010  |         | -     | uw   |        |      | O-ring (minimum 5 pieces)                   |
| 22225   | 25006  |         | -     | uw   |        |      | Lower wash turret LS                        |
| 22230   | 25024  |         | -     | uw   |        |      | 250W wash pump - 230V 50Hz                  |
| 22230   | 25025  |         | -     | uw   |        |      | 250W wash pump - 220V 60Hz                  |
| 22230   | 25026  |         | -     | uw   |        |      | 250W wash pump - 110V 60Hz                  |
| 22555   | 25014  |         | -     | uw   |        |      | Top wash ramp O-ring                        |

em=ELECTROMECHANICAL SWITCHES, lw=LOWER WASHING, uw=LOWER AND UPPER WASHING

102K=102K

bp=BOOSTER PUMP, dvgw=DVGW, cr=COLD RINSE, ws=WATER SOFTNER, dd=DETERGENT DISPENSER, dp=DRAIN PUMP

A=3/N/PE~380-400V 50-60Hz, D=3/PE~200-210V 50-60Hz, F=2/PE~220-240V 50-60Hz, G=3/N/PE~415V 50-60Hz, H=3/PE~220-230V 50-60Hz, K=3/PE~380-400V 50-60Hz, L=3/PE~415V 50-60Hz, M=3/PE~440V 60Hz, P=1/N/PE~220-230V 50-60Hz, R=2/PE~220-240V 50-60Hz, U=1/N/PE~240V 50-60Hz, V=3/PE~240V 50-60Hz, W=1/N/PE~100-110V 50-60Hz



17\_118\_e

## Spare parts

| ID  | P-code | SN from | SN to | Mod. | Acces. | Volt | Description    |
|---|--------|---------|-------|------|--------|------|----------------|
| <b>Module:Turret group with rotating arms</b> |        |         |       |      |        |      |                |
| 22265   | 10275  |         | -     | uw   |        |      | Wash nozzle    |
| 22270   | 25015  |         | -     | uw   |        |      | Top wash group |
| 22275   | 12503  |         | -     | uw   |        |      | Plug           |

em=ELECTROMECHANICAL SWITCHES, lw=LOWER WASHING, uw=LOWER AND UPPER WASHING

102K=102K

bp=BOOSTER PUMP, dvgw=DVGW, cr=COLD RINSE, ws=WATER SOFTNER, dd=DETERGENT DISPENSER, dp=DRAIN PUMP

A=3/N/PE~380-400V 50-60Hz, D=3/PE~200-210V 50-60Hz, F=2/PE~220-240V 50-60Hz, G=3/N/PE~415V 50-60Hz, H=3/PE~220-230V 50-60Hz, K=3/PE~380-400V 50-60Hz, L=3/PE~415V 50-60Hz, M=3/PE~440V 60Hz, P=1/N/PE~220-230V 50-60Hz, R=2/PE~220-240V 50-60Hz, U=1/N/PE~240V 50-60Hz, V=3/PE~240V 50-60Hz, W=1/N/PE~100-110V 50-60Hz