

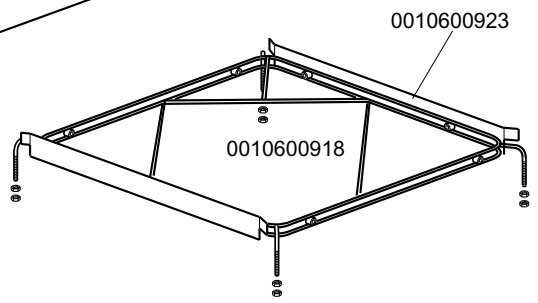
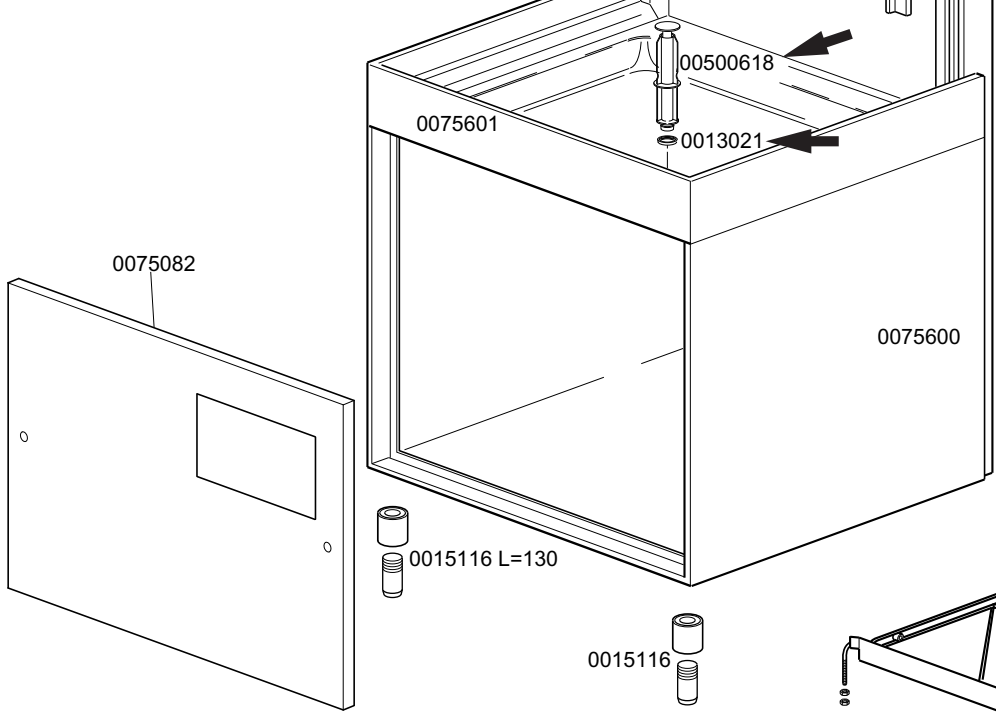
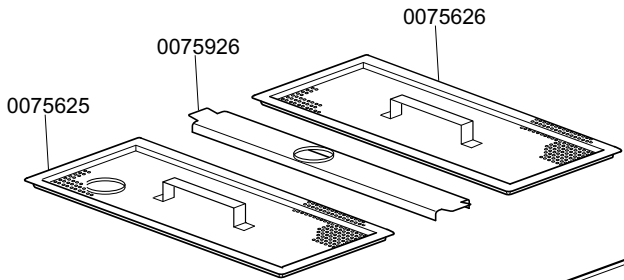
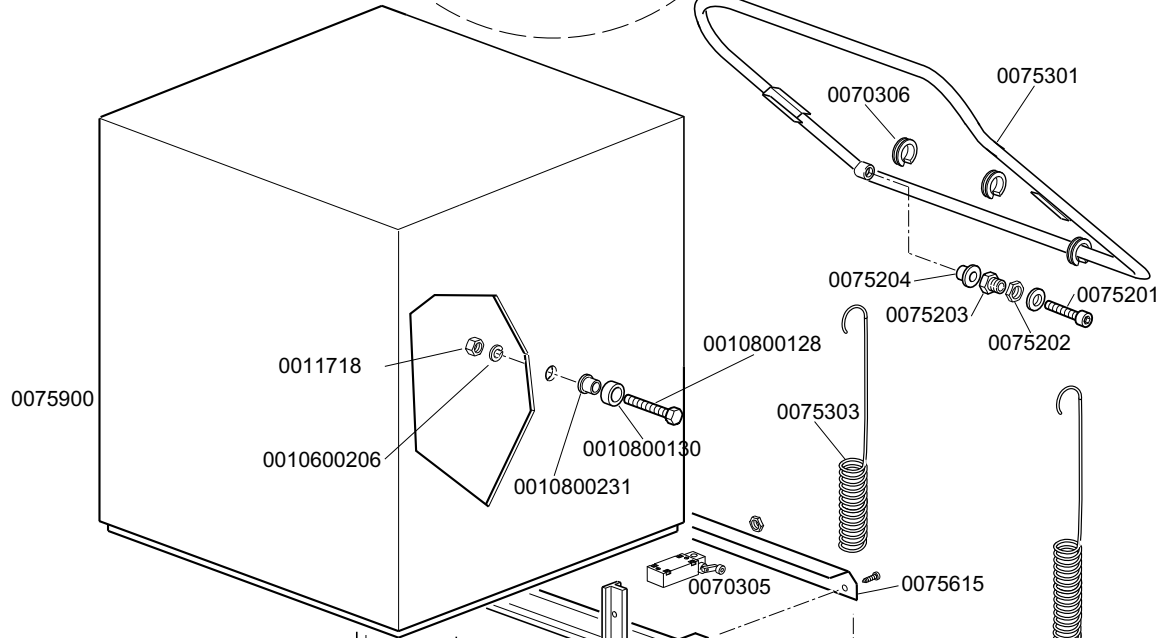
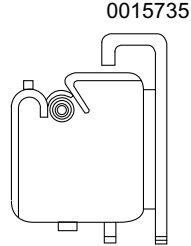
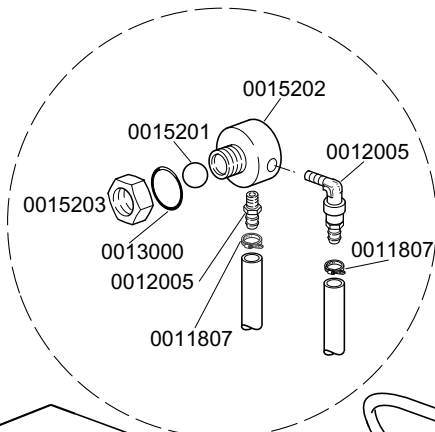
KROMO

**TABLE
KI1410**

**REV
04**

DISHWASHER K 100

From srial Nr.01026498 on



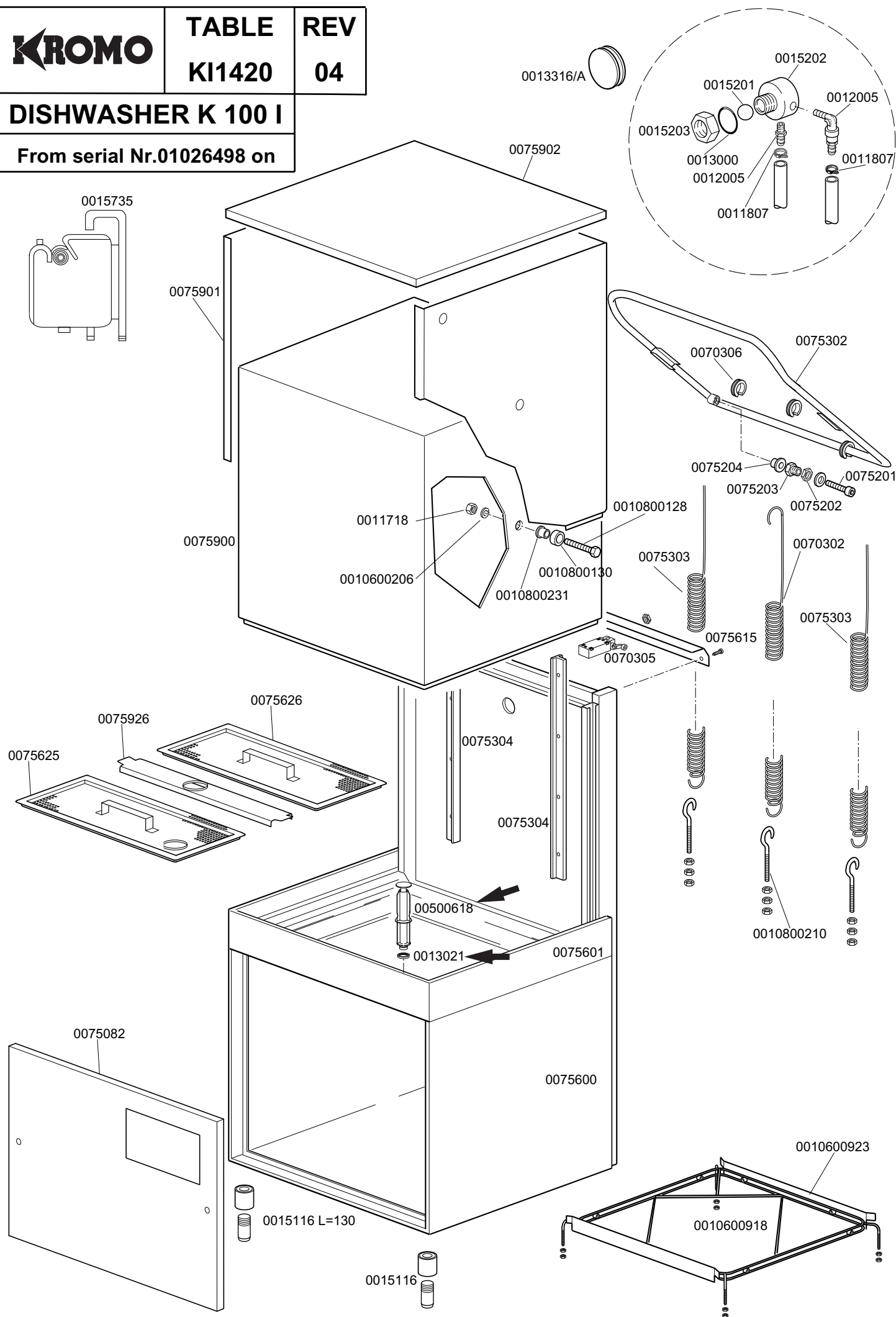
KROMO

**TABLE
KI1420**

**REV
04**

DISHWASHER K 100 I

From serial Nr.01026498 on

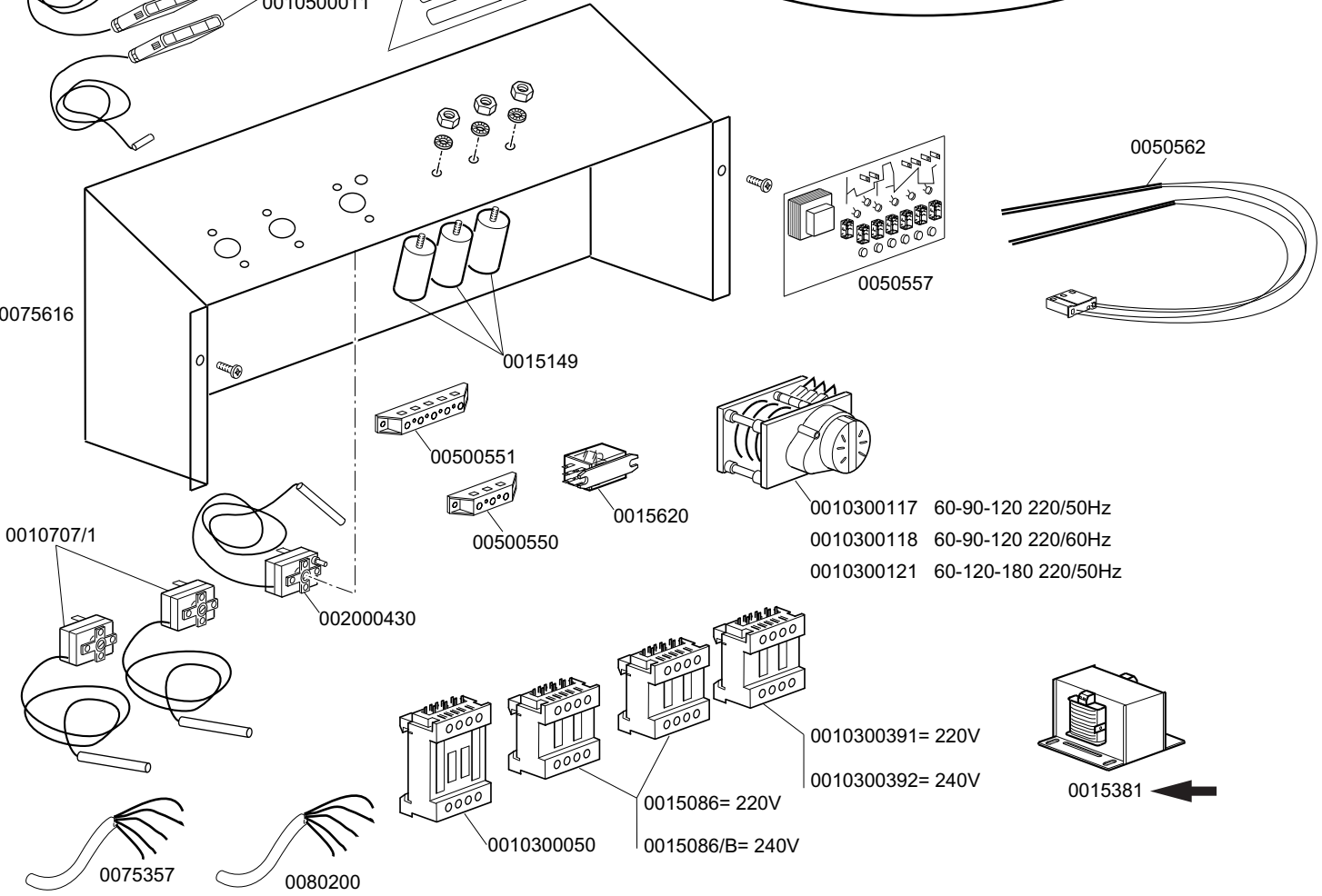
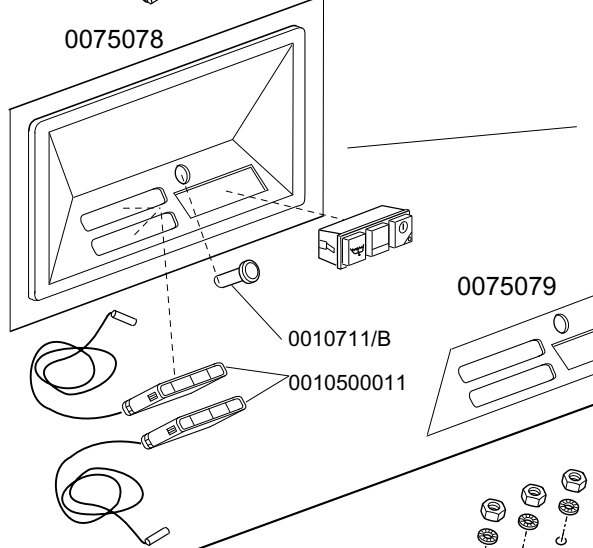
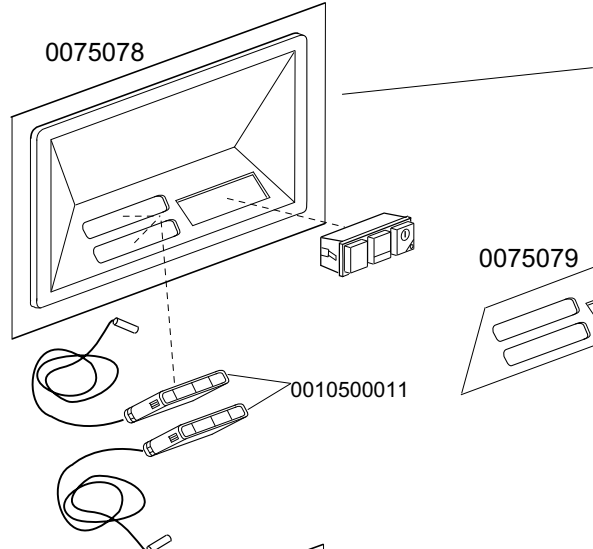
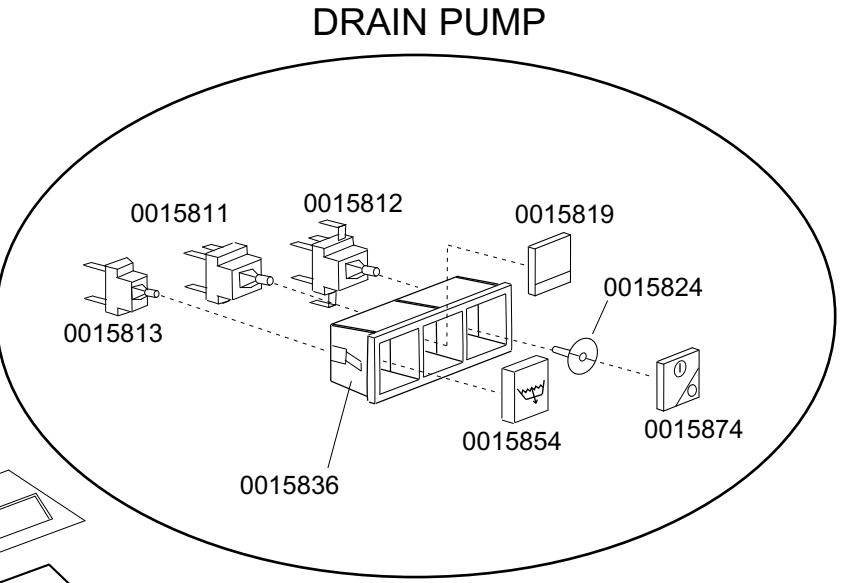
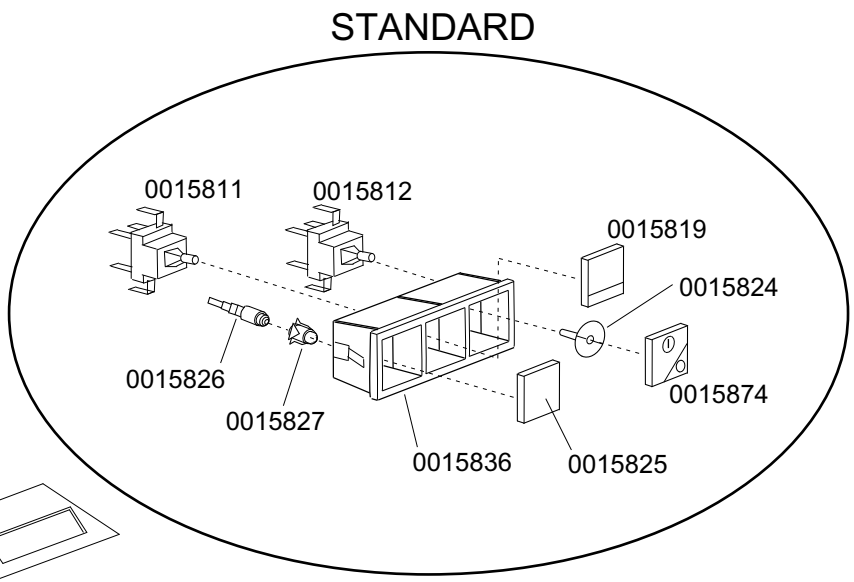


DISHWASHER K 100 I

TABLE
KI1420

CODE	DESCRIPTION	CODE	DESCRIPTION
0010600206	8 d. nylon ring		
0010600918	AISI basket support		
0010600923	Basket edge K 100		
0010800128	L40 fixing pin		
0010800130	14x10 insulated spacer		
0010800210	M10x60 tie rod screw with hook		
0010800231	Bush for door roller		
0011718	self locking nut M8		
0011807	12/20 stainless steel clamps		
0012005	1/4 rubber-holder for 10 d. pipe		
0013000	OR 3125 gasket		
→ 0013021	DEM-40gasket		
0013316/A	Blind gasket for DVGW hole		
0015116	H.130/180 complete 2" small foot		
0015201	17 d. teflon DVGW safety valve sphere		
0015202	40x33 d. DVGW brass pipe fitting		
0015203	30 DVGW brass nut for pipe fitting		
0015735	Break tank 2,7 Lt		
→ 00500618	Overflow device		
0070302	Rear spring		
0070305	Switch for roller conveyor		
0070306	Spring hook-joint		
0075082	Lower door K 100		
0075201	M14x39 TCEI stainless steel bolt		
0075202	M18 brass nut		
0075203	M18 brass bush		
0075204	22x13 d. nylon bush		
0075302	Handle for K 100 insulated		
0075303	Back spring		
0075304	Top runner		
0075600	Complete base K 100		
0075601	Complete basin K 100		
0075615	Back cross		
0075625	Filter with hole		
0075626	Filter		
0075900	Toop hood		
0075901	Counter-cover thermic insulation		
0075902	Cover thermic insulation		
0075926	Axis double filter holder		

KROMO	TABLE	REV
	KI1425	05
DISHWASHER K 100		



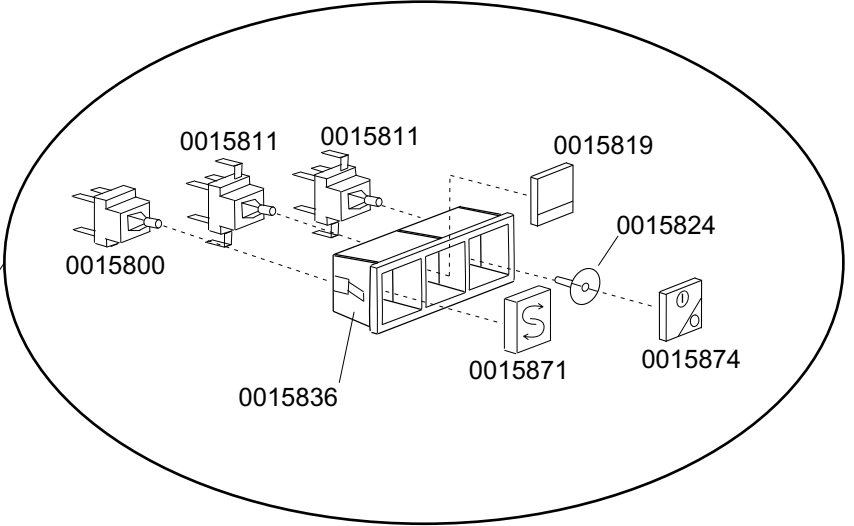
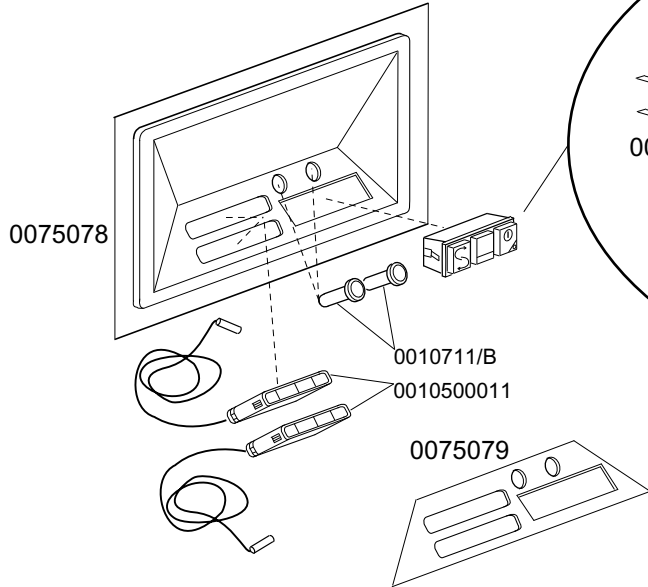
DISHWASHER K 100

TABLE KI1425

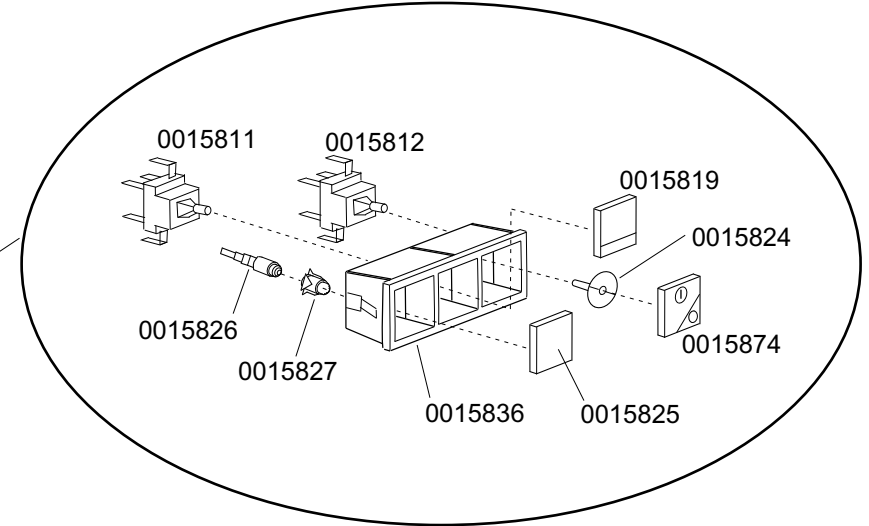
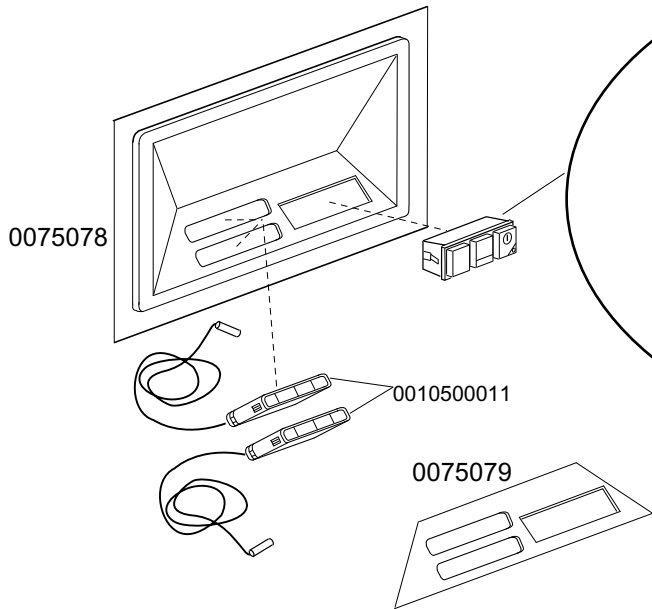
CODE	DESCRIPTION	CODE	DESCRIPTION
0010300050	25A 4NA 220V 50Hz remote control switch		
0010300117	60-90-120 220V 50Hz timer		
0010300118	60-90-120 220V 60Hz timer		
0010300121	60-120-180 220V 50Hz timer		
0010300391	240V 3NA1NC auxiliary remote control switch		
0010300392	240v 50hz remote control switch		
0010500011	Thermometer		
0010707/1	Thermostat		
0010711/B	Small temp signal green pilot light		
0015086	230V 50/60HZ remote control switch		
0015086/B	20A 240V remote control switch		
0015149	Low noise filter F3		
0015381	150VA 0/230V - 0/400-415-440V Trsf.		
0015620	16A bipolar relay		
0015811	Deviator switch 16A		
0015812	16A starter electric component		
0015813	16A unipolar switch electri component		
0015819	Q7 Yellow push button		
0015824	Green-orange cam		
0015825	Q green cover		
0015826	220V lamp		
0015827	Lamp holder		
0015836	Grey SQ3 support		
0015854	Q5 push button for DRAI PUMP		
0015874	Q6 green main switch 0/1		
002000430	Conveyor safety thermostat		
00500550	3 poles FV110 terminal board		
00500551	6 poles FV122 terminal board		
0050557	60-100-180 ECO2 electronic timer		
0050562	Thermostat probe		
0075078	Inox control panel		
0075079	Silk-screen processed grill		
0075357	3x6x3500 cable		
0075616	Component holder K 100		
0080200	5x4x3400 cable		

KROMO	TABLE	REV
	KI1425-A	02
DISHWASHER K 100		

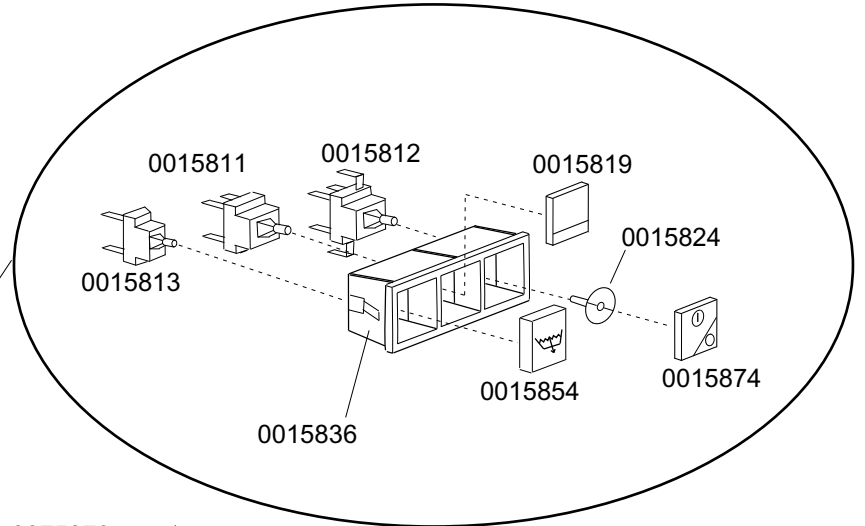
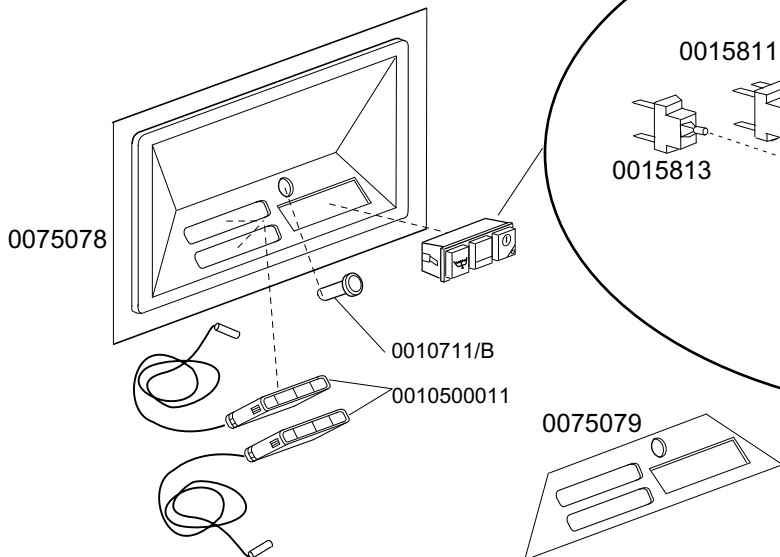
REGENERATION



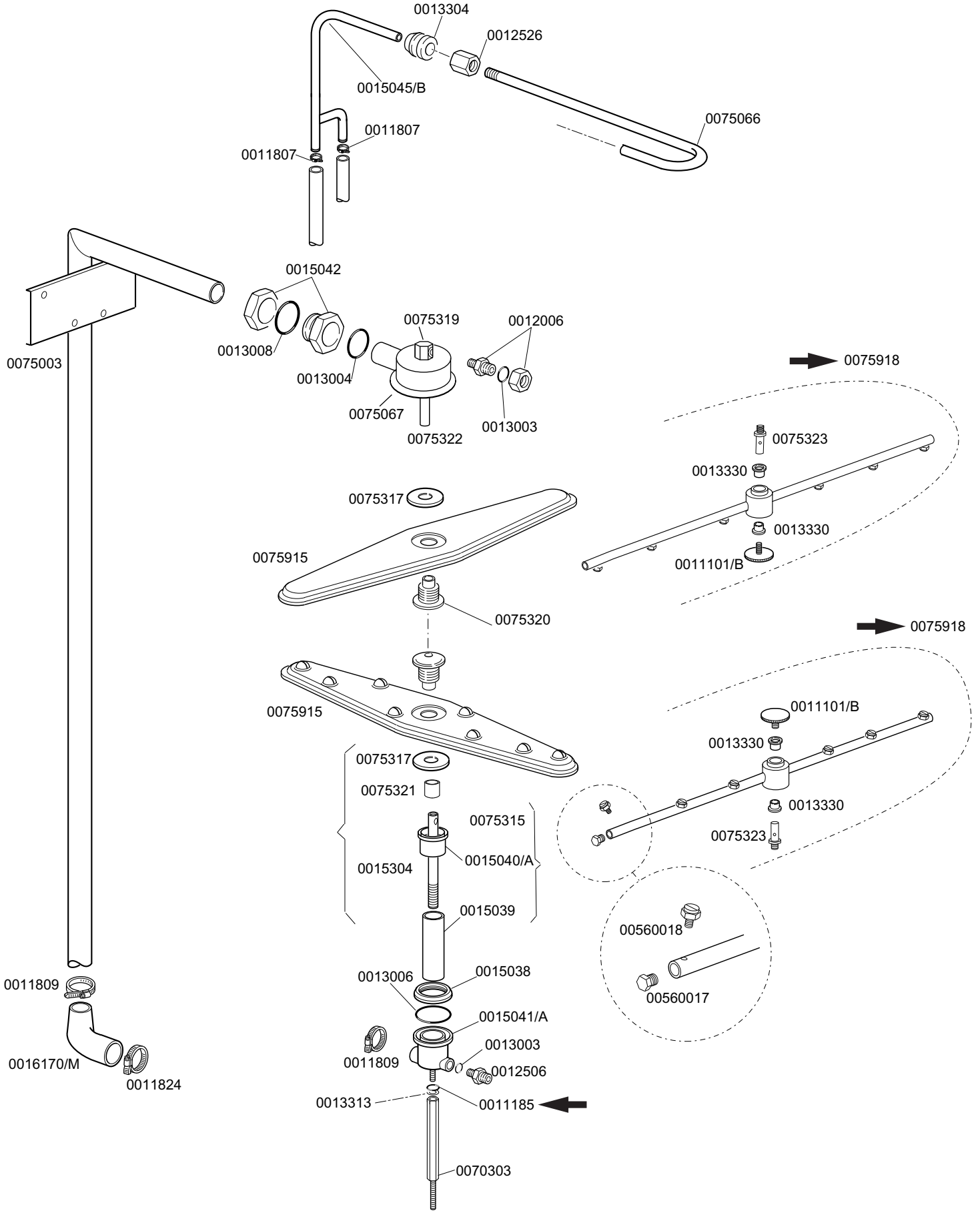
STANDARD



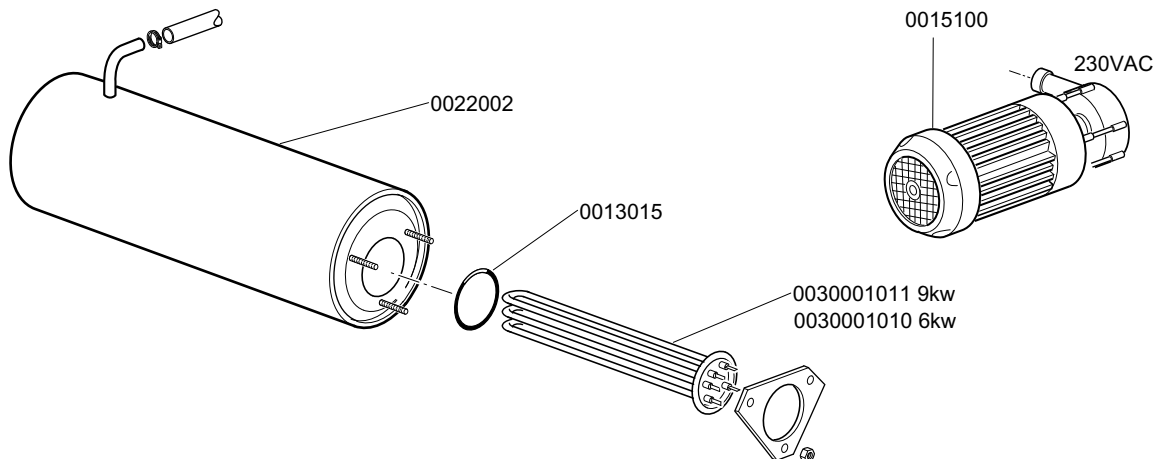
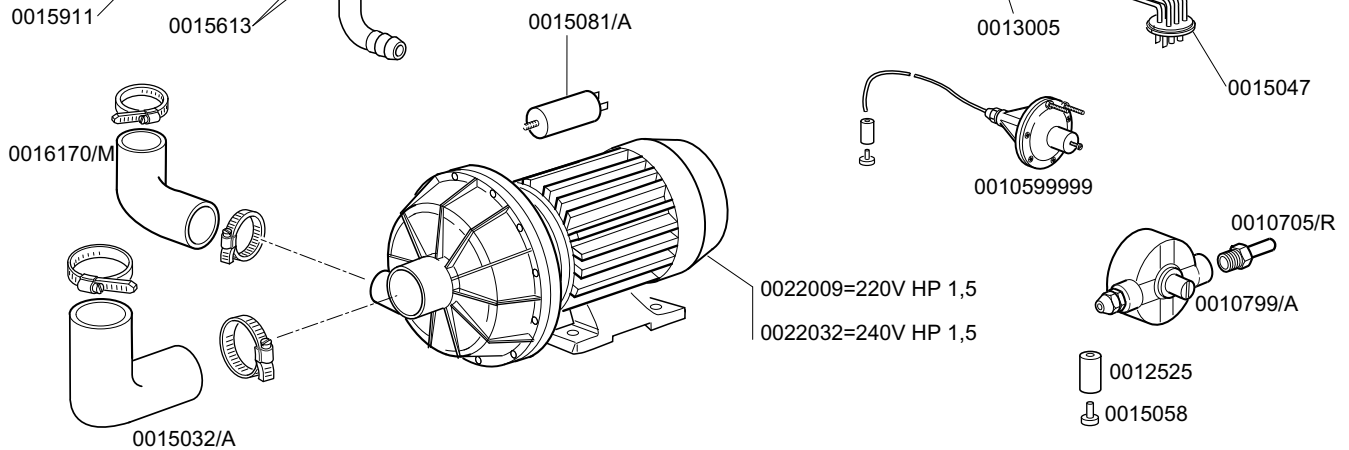
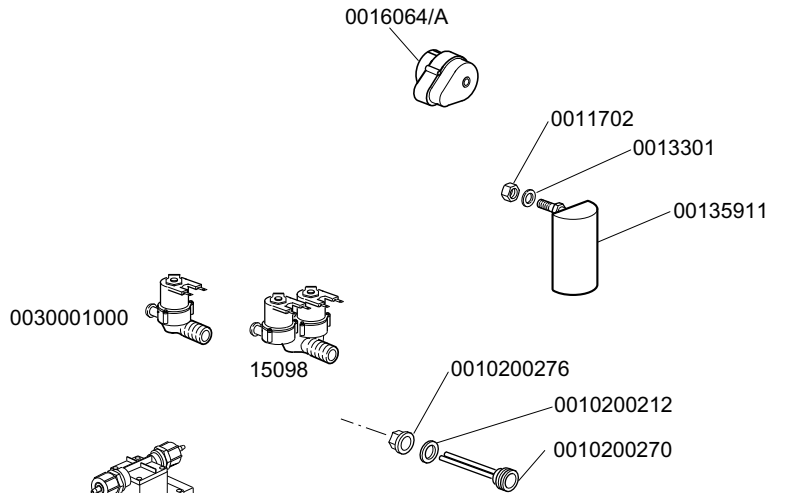
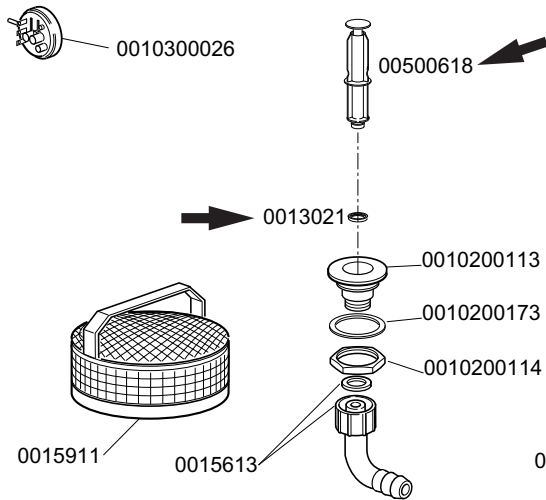
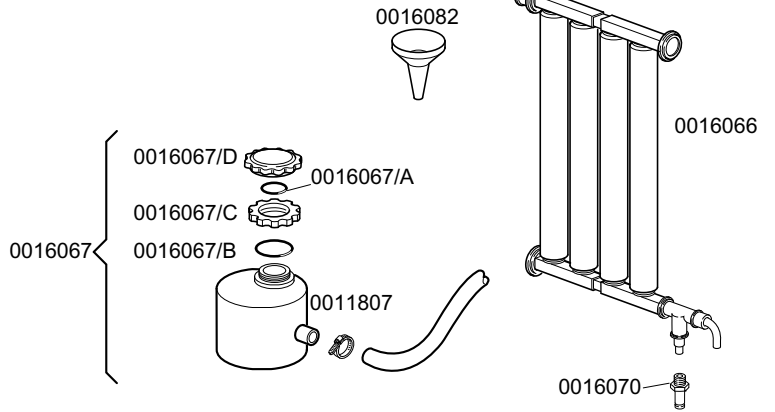
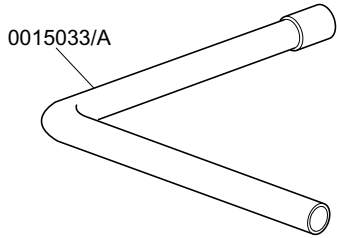
DRAIN PUMP



KROMO	TABLE	REV
	KI1430	02
DISHWASHER K 100		



KROMO	TABLE	REV
	KI1440	03
DISHWASHER K 100		



DISHWASHER K 100

TABLE KI1440

CODE	DESCRIPTION	CODE	DESCRIPTION
0010200113	Floor drain		
0010200114	Drain pipe fitting nut		
0010200173	75x58x2 gasket		
0010200212	31x21x2 rubber gasket		
0010200270	Double sheath		
0010200276	1/2 inch. nut for probe		
0010300026	Pressure switch		
0010599999	Shining product dosing device		
0010705/R	8 D. pipe fitting		
0010799/A	Shining product dosing device		
0011702	M8 stainless steel nut		
0011807	12/20 stainless steel clamps		
0012525	Counter weight for small filter		
0013005	OR 151 for heating element		
0013015	Boiler heating element OR gasket		
0013021	DEM-40 gasket		
0013301	14x8x1.5 d. gasket		
00135911	Complete filter for suction type 50		
0015032/A	50d. EPDM suction pipe		
0015033/A	Lower EPDM wash delivery pipe		
0015047	3 KW tub heating element		
0015058	Small shining product suction filter		
0015081/A	16x450V condenser		
0015098	Double solenoid valve		
0015100	Booster pump		
0015108/L	Lang dosing device		
0015613	1"1/4x30 nylon elbow		
0015911	Complete filter		
0016064/A	Timer 18' CDC		
0016065	Salt container		
0016066	1 liter 4 element decalcifier		
0016067/A	OR for salt container plug		
0016067/B	Salt container gasket		
0016067/C	Salt container ferrule		
0016067/D	Salt container plug		
0016070	CFD complete non-return valve		
0016082	Funnel		
0016170/M	50/30 coupling		
0022002	140x490 1000 mod. boiler		
0022009	1.5 HP 220v. pump		
0022032	1.5 HP 240v. pump		
0030001000	Single solenoid valve		
0030001010	6Kw boiler heating element		
0030001011	9Kw boiler heating element		
00500618	K 100 overflow		