

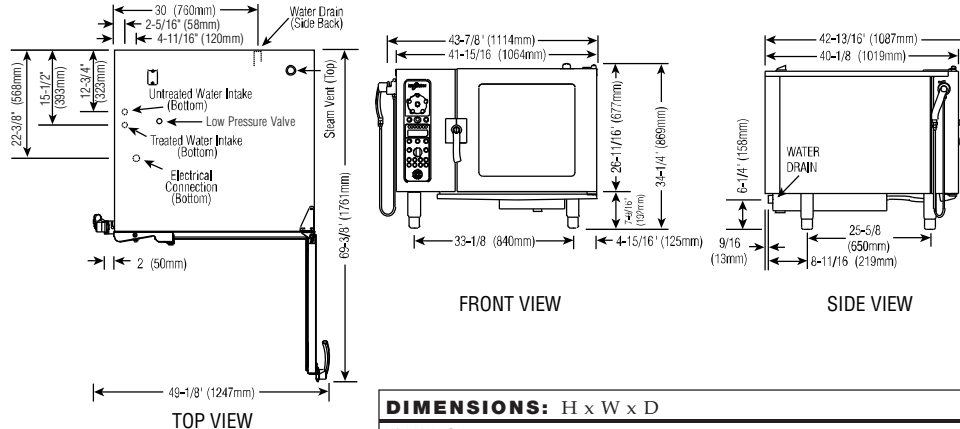
SECTION CONTENTS

Technical Data.....	204
Parts Information	205
Door Assembly.....	205
Recessed Door Assembly.....	206
Directional Panel Assembly.....	207
Pressure Box Assembly	208
Wiring and Ladder Diagrams	209
208-240V 3PH 50/60 Hz Wiring	209
208-240V 3PH 50/60 Hz Ladder.....	210
440-480V 3PH 50/60 Hz Wiring	211
440-480V 3PH 50/60 Hz Ladder.....	212
380-415V 3PH 50 Hz Wiring	213
380-415V 3PH 50 Hz Ladder	214
208-240V 1PH 50/60 Hz Wiring	215
208-240V 1PH 50/60 Hz Ladder.....	216
Return to Main Table of Contents	3

TECHNICAL DATA



7 • 14 esi SPECIFICATIONS



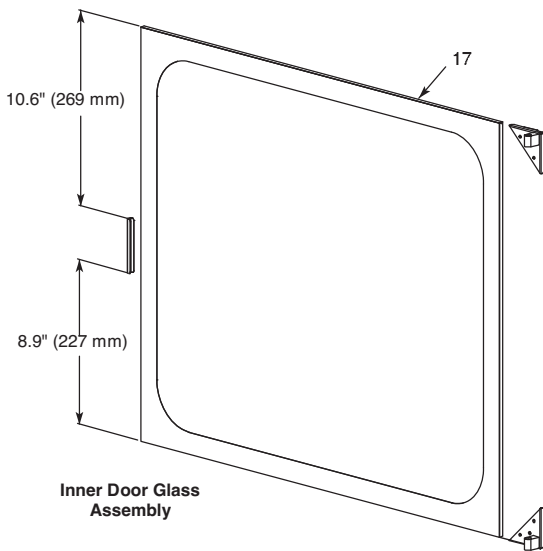
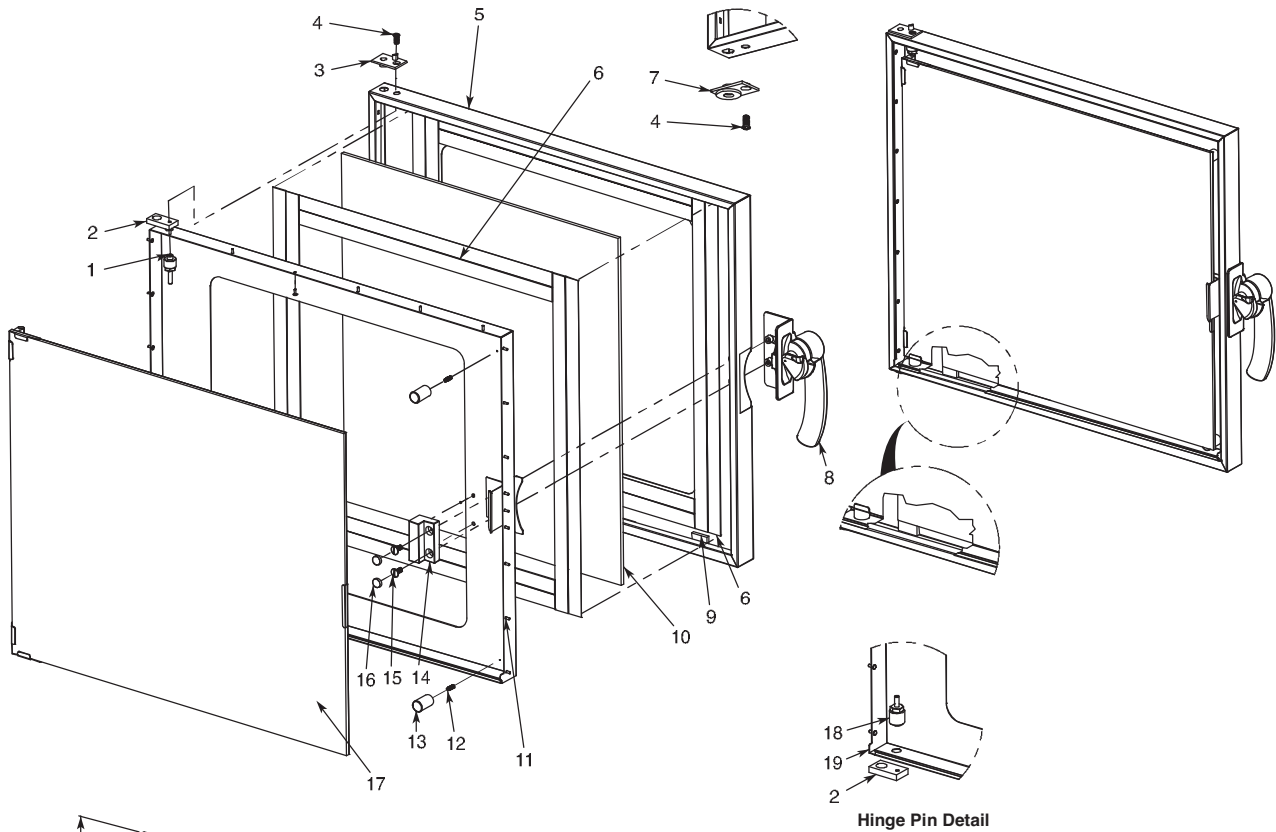
INSTALLATION REQUIREMENTS		DIMENSIONS: H x W x D																			
Oven must be installed level. Hood installation is required. Water supply shut-off valve and back-flow preventer.		EXTERIOR: 34-1/4" x 43-7/8" x 42-13/16" (869mm x 1114mm x 1087mm)																			
		EXTERIOR WITH RETRACTABLE DOOR: 34-1/4" x 47-7/8" x 42-13/16" (869mm x 1216mm x 1087mm)																			
		INTERIOR: 20-5/16" x 23-1/2" x 28-7/16" (515mm x 596mm x 722mm)																			
WATER REQUIREMENTS		WATER QUALITY MINIMUM STANDARDS																			
TWO (2) COLD WATER INLETS - DRINKING QUALITY ONE (1) TREATED WATER INLET: 3/4" NPT* ONE (1) UNTREATED WATER INLET: 3/4" NPT* LINE PRESSURE: 30 to 90 psi 2.8 to 6.2 bar WATER DRAIN: 1-1/2" CONNECTION WITH AIR GAP * Can manifold off of one 3/4" line.		USING A WATER SUPPLY NOT MEETING ALTO-SHAAM'S MINIMUM WATER QUALITY STANDARDS WILL VOID THIS WARRANTY. It is the responsibility of the purchaser to ensure that incoming water supply is compliant with the specifications listed through adequate treatment measures. Installation of the CombiGuard™ Water Filtration System is recommended, but this system may not address all water quality issues present.																			
CLEARANCE REQUIREMENTS		<table border="0"> <tr> <td>Contaminant</td> <td>Inlet Water Requirements (untreated water)</td> </tr> <tr> <td>Free Chlorine</td> <td>Less than 0.1 ppm (mg/L)</td> </tr> <tr> <td>Hardness</td> <td>Less than 3 gpg (52 ppm)</td> </tr> <tr> <td>Chloride</td> <td>Less than 30 ppm (mg/L)</td> </tr> <tr> <td>pH</td> <td>7.0 to 8.5</td> </tr> <tr> <td>Alkalinity</td> <td>Less than 50 ppm (mg/L)</td> </tr> <tr> <td>Silica</td> <td>Less than 12 ppm (mg/L)</td> </tr> <tr> <td>Total Dissolved Solids (tds)</td> <td>Less than 60 ppm</td> </tr> </table>				Contaminant	Inlet Water Requirements (untreated water)	Free Chlorine	Less than 0.1 ppm (mg/L)	Hardness	Less than 3 gpg (52 ppm)	Chloride	Less than 30 ppm (mg/L)	pH	7.0 to 8.5	Alkalinity	Less than 50 ppm (mg/L)	Silica	Less than 12 ppm (mg/L)	Total Dissolved Solids (tds)	Less than 60 ppm
Contaminant	Inlet Water Requirements (untreated water)																				
Free Chlorine	Less than 0.1 ppm (mg/L)																				
Hardness	Less than 3 gpg (52 ppm)																				
Chloride	Less than 30 ppm (mg/L)																				
pH	7.0 to 8.5																				
Alkalinity	Less than 50 ppm (mg/L)																				
Silica	Less than 12 ppm (mg/L)																				
Total Dissolved Solids (tds)	Less than 60 ppm																				
LEFT: 6" (152mm) PLUS SERVICE ACCESS: 18" (457mm) RECOMMENDED 20" (508mm) FROM HEAT PRODUCING EQUIPMENT RIGHT: 4" (102mm) TOP: 20" (508mm) FOR AIR MOVEMENT BACK: 4" (102mm) BOTTOM: 5-1/8" (130mm) FOR LEGS COUNTER-TOP INSTALLATIONS MUST MAINTAIN 4" (102mm) MINIMUM CLEARANCE FROM COUNTER SURFACE.																					
ELECTRICAL		7 • 14 esi		7 • 14 esi/sk																	
VOLTAGE	PHASE	CYCLE/HZ	AWG	AMPS	kW	AMPS	kW														
208-240	1*	50/60	2 Wire plus ground	67.0	13.9	69.2	14.4														
			AWG 3	77.0	18.4	79.0	18.9														
208-240	3	50/60	3 Wire plus ground	38.6/ph	13.9	40.0/ph	14.4														
			AWG 6	44.3/ph	18.4	45.5/ph	18.9														
380-415	3	50/60	4 Wire plus ground	21.1/ph	13.9	22.0/ph	14.4														
			AWG 10	25.6/ph	18.4	26.3/ph	18.9														
440-480	3*	50/60	3 Wire plus ground	20.0/ph	15.4	21.0/ph	15.9														
			AWG 8	22.0/ph	18.4	23.0/ph	18.9														
* ELECTRICAL SERVICE CHARGE APPLIES																					
WEIGHT		CAPACITY																			
NET	436 lb (198 kg)	FULL-SIZE PANS: 20" x 12" x 2-1/2" GN 1/1: 530 x 325 x 65mm GN 2/1: 650 x 530 x 65mm		Fourteen (14) Fourteen (14) Seven (7)	Twelve (12) Twelve (12) Five (5)																
SHIP	560 lb (254 kg)	FULL-SIZE SHEET PANS:* 18" x 26" x 1" ON WIRE SHELVES ONLY		Seven (7)	Six (6)																
CRATE	42" x 50" x 46" EST.	168 lb (76 kg) MAXIMUM																			
DIMENSIONS: (1067 x 1270 x 1168mm)		VOLUME MAXIMUM: 105 QUARTS (133 LITERS)																			

* ADDITIONAL WIRE SHELVES REQUIRED FOR MAXIMUM CAPACITY

ELECTRIC COMBITHERM — INSTALLATION MANUAL #7001

PARTS INFORMATION

DOOR ASSEMBLY

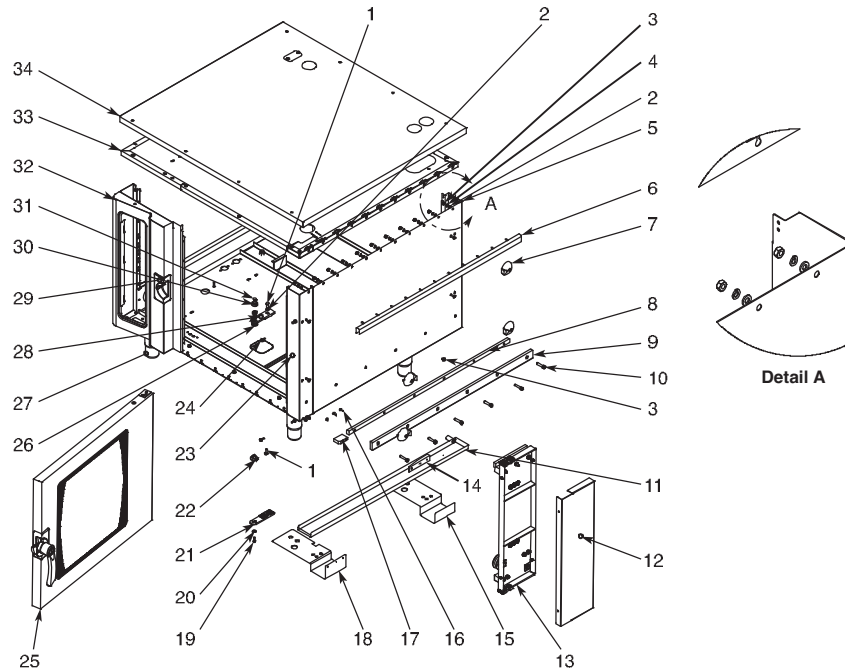


Item	Part	Description	Qty.
1	PI-26973	Pin, Upper	1
2	HG-25078	Hinge, CT, Anchor, ML Combis	2
3	HG-25077	Hinge, CT, Top Stop, ML Combi	1
4	SC-22282	Screw, CT, 1.0X 16 mm, PH Oval, HD N/S 18-8, DIN # 966A	2
5	1005957	Outer Panel, Door	1
6	TA-25125	Tape, Double Sided	2
7	HG-25079	Hinge, CT, Upper Ratchet, Combi	1
8	HD-26966	Handle, Door, Right, Combi '06	1
9	BM-27116	Bumper	2
10	GL-27110	Glass, Outer Door, 7.14 EP	1
11	RI-27108	Rivet, Sealed	22
12	SC-25091	Screw, CT, M5X16, DIN 551, A2 S/S, SLTD Set Screw Flat PT	2
13	BM-27146	Bumper Stop/Inner Door	2
14	SP-27212	Spacer, Window Latch	1
15	SC-27125	Screw, Truss Head, S/S	2
16	PG-24789	Plug, 15 mm	2
17	5005090	Inner Door, Glass Assembly	1
18	PI-26974	Pin, Lower	1
19	5005089	Inner Door Spot RH	1
*	CL-27854	Inner Door Latch	1

*Item Not Shown

PARTS INFORMATION

RECESSED DOOR ASSEMBLY

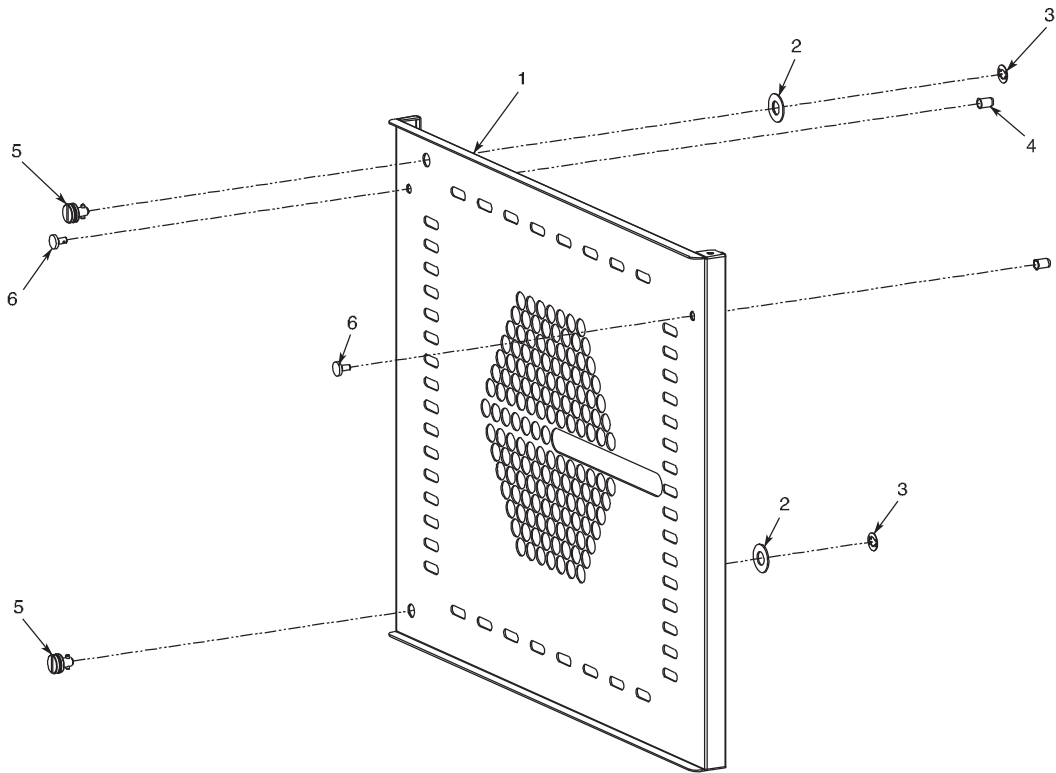


Item	Part	Description	Qty.
1	SC-22924	M6 x 20 Hex Trim HD	2
2	WS-22297	Washer, Flat, M6, DIN 125	14
3	NU-22291	M6-1.0 x Hex S/S Nut 18-8	12
4	WS-22302	Washer, Lock, M6, DIN 127B	12
5	5008015	Right Side Assembly	1
6	5007897	Channel Assembly	1
7	BK-27412	Recessed Door Block	4
8	RA-28207	Rail, Top	1
9	RA-28208	Rail, Bottom	1
10	SC-24388	Screw, SHC M8 x 35 S/S	6
11	5007893	Drip Pan Assembly	1
12	1008869	Cover, Trolley	1
13	5008001	Trolley Assembly	1
14	BK-22100	White Teflon, Cart Guide Block	1
15	1008505	Rear Bracket, Recessed	1
16	SC-22281	Screw, M5 x 16 Flat Head CSink	2
17	BK-28252	Block, Guide	1

Item	Part	Description	Qty.
18	1008506	Front Bracket Recessed	1
19	SC-22284	Screw, M6 x 16 Hex S/S HD	1
20	WS-22298	Washer, M8, 18-8	1
21	HG-28040	Hinge	1
22	HG-25101	Hinge, Lower Ratchet	1
23	5008014	Front Corner Assembly	1
24	SC-26060	M5 x 16 Hex Head	4
25	5008004	Door Assembly Recessed	1
26	WS-25124	Eccesntric Washer	1
27	LG-26867	Legs, Combi	4
28	HG-28041	Hinge	1
29	LT-26968	Latch, Door, Right	1
30	WS-25127	Covering Washer, For Hinge	1
31	PG-25132	M12, (Black or Natural)	1
32	PE-27559	Front Panel Weld Assembly	1
33	5005065	Fill In Cover Assembly	1
34	5007895	Outer Cover Assembly	1

PARTS INFORMATION

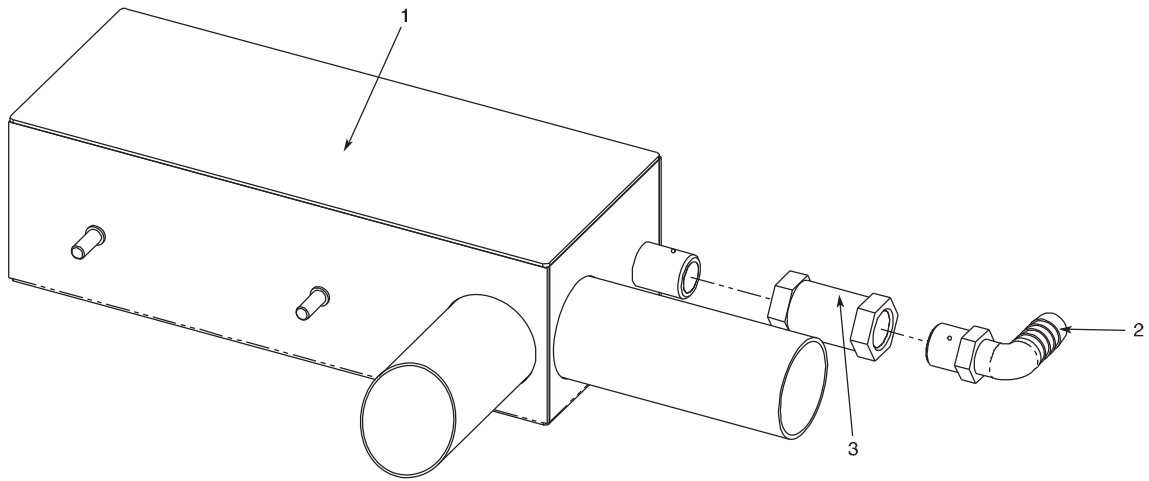
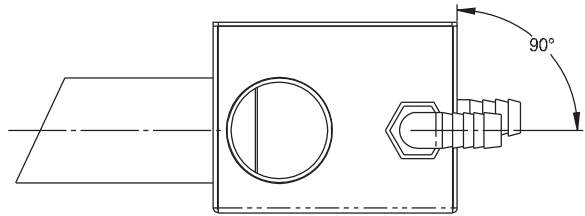
DIRECTIONAL PANEL ASSEMBLY



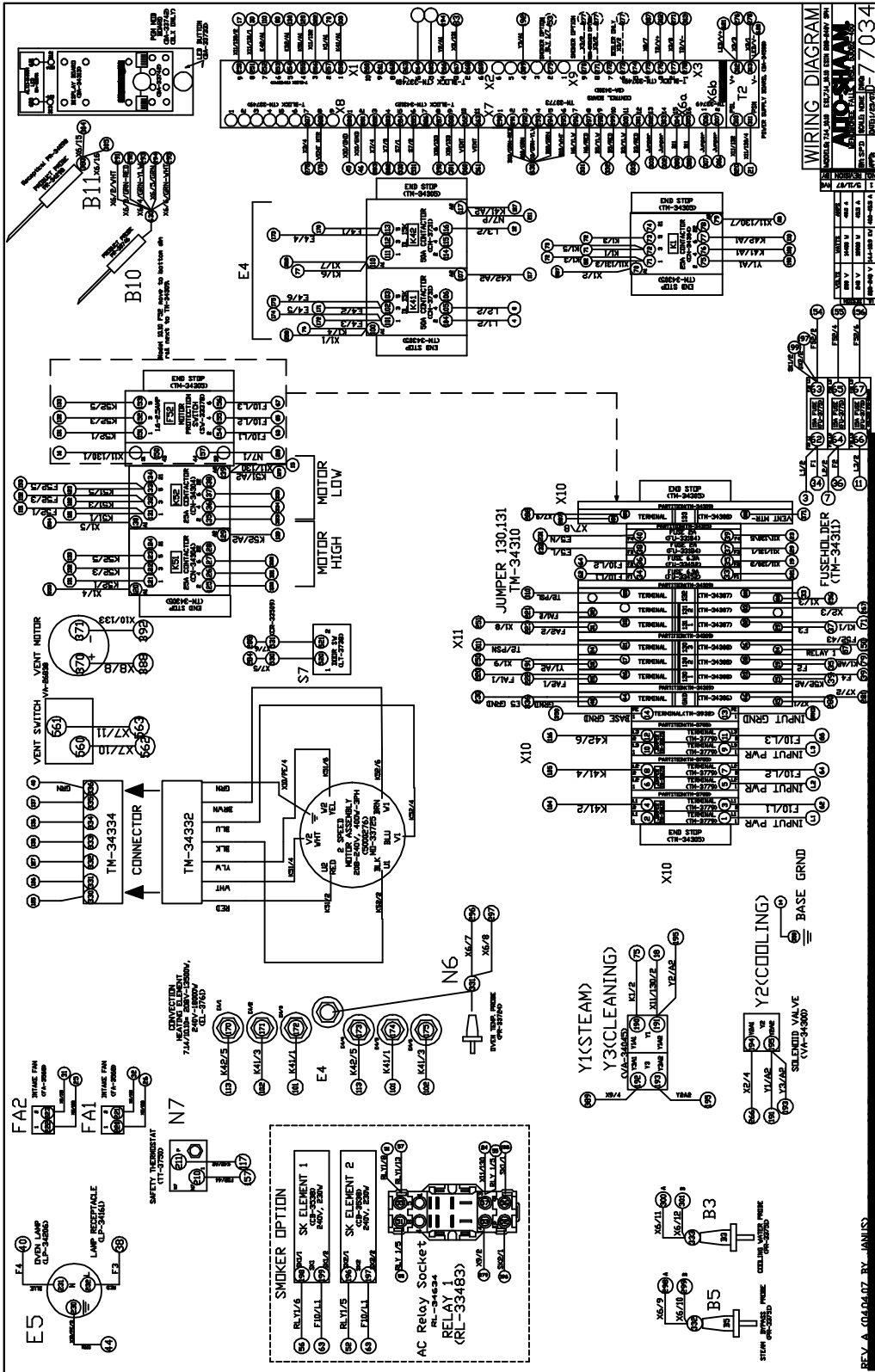
Item	Part	Description	Qty.
1	1006361	Directional Panel, 7.14 I	1
2	1006601	Directional Panel Spacer, 16 GA	2
3	WS-24090	Holding (Lock Clip), All Combitherm's ML	2
4	NU-22770	Nut, Threaded Insert, M6	2
5	CL-24089	Clip, CT, ML, Lock, W/3 Washers	2
6	SC-22753	Screw, SS Round, Hanging Rack	2

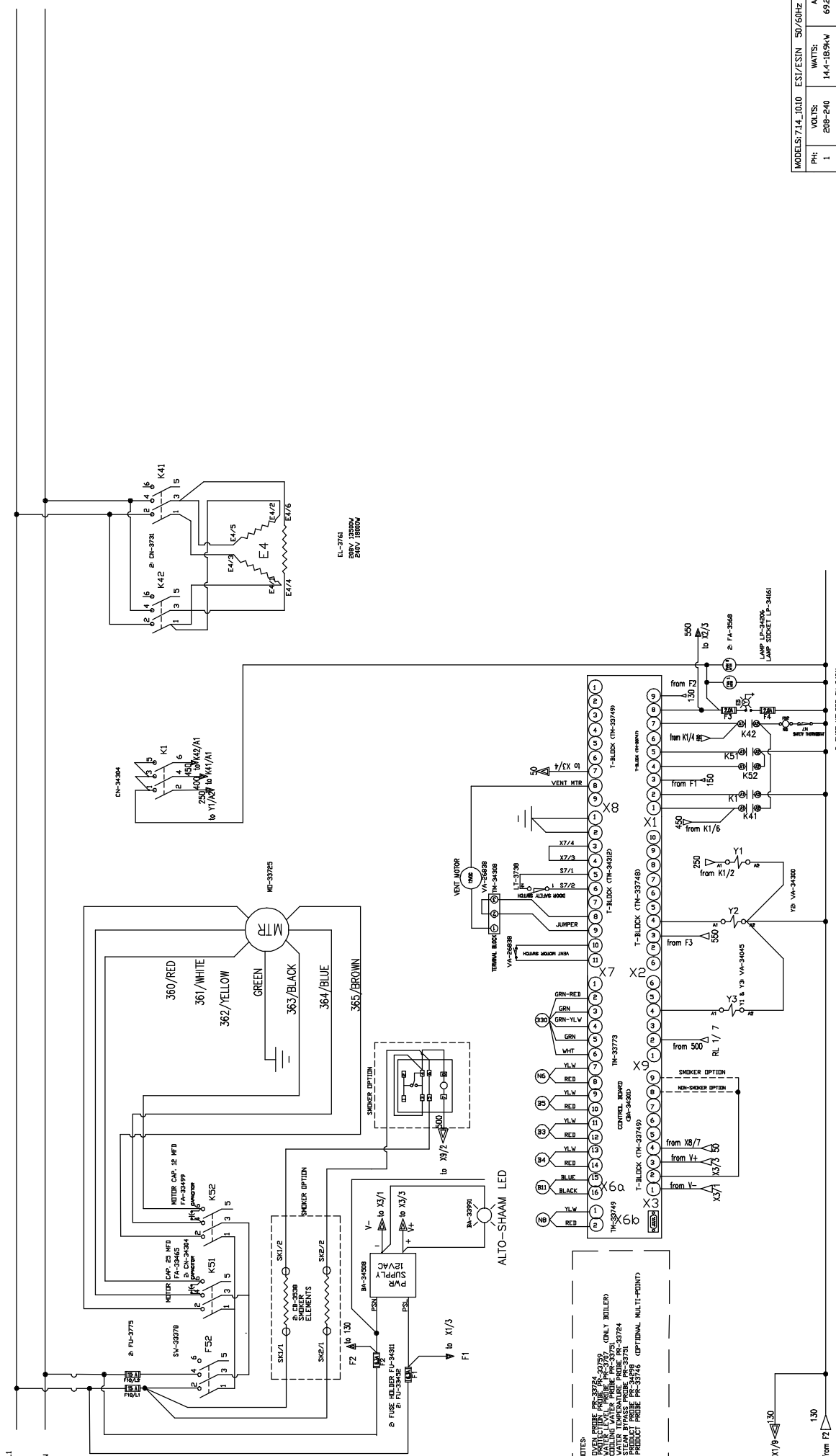
PARTS INFORMATION

PRESSURE BOX ASSEMBLY



Item	Part	Description	Qty.
1	5005009	Pressure Box	1
2	EB-25551	Elbow, Nylon, 1/2" x 3/8"	1
3	VA-25549	Valve, 3/8", Flow Control, 0.12 GPM	1





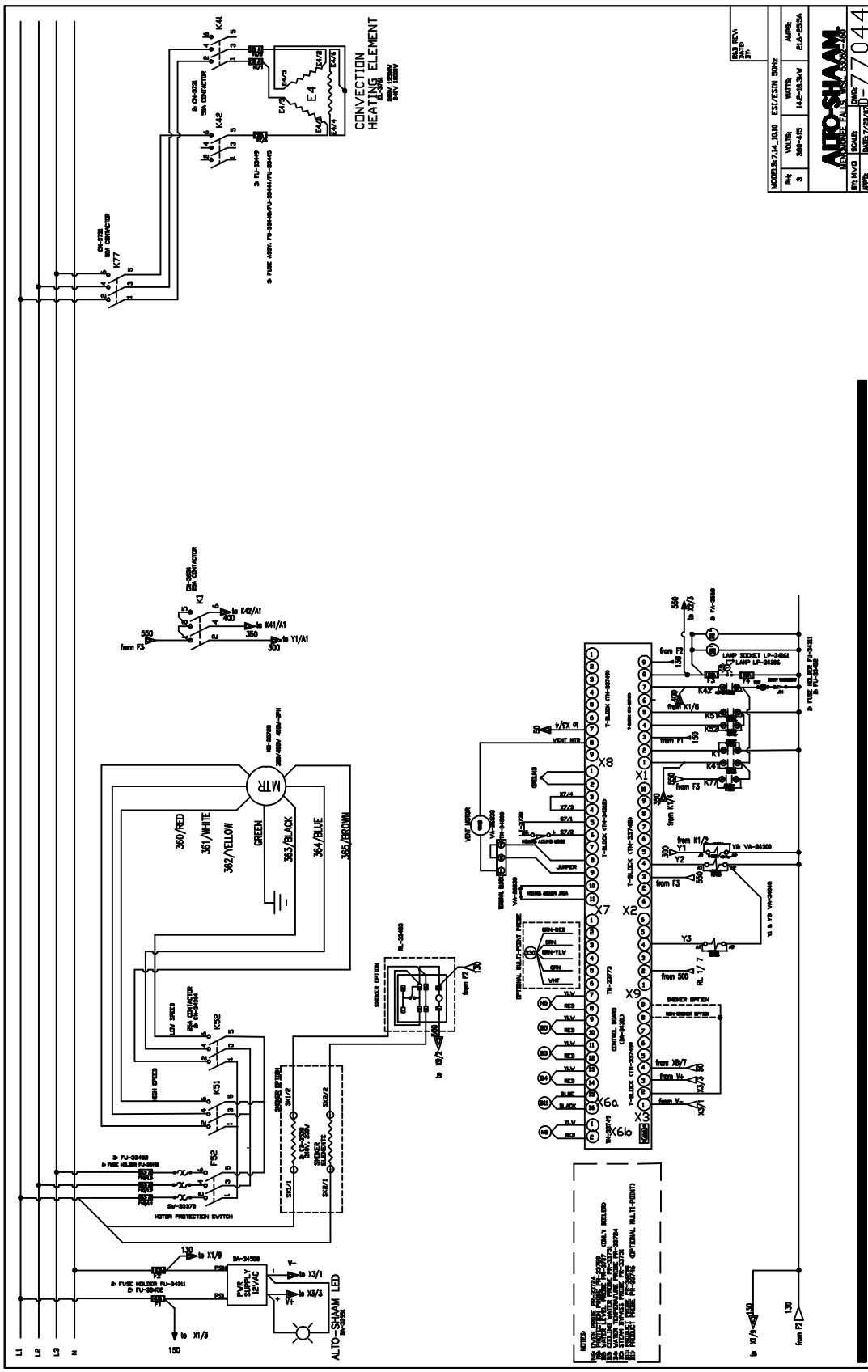
EL-3761
 200V 1350W
 240V 1800W

NOTES:
 1. DRY PROBE PR-3374
 2. WATER PROBE PR-3375 (ONLY BOLLERS)
 3. CHILLING WATER PROBE PR-3376
 4. STEAM PRESSURE PROBE PR-3377
 5. STEAM PRESSURE PROBE PR-3378
 6. PRODUCT PROBE PR-3379 (OPTIONAL MULTI-POINT)

MODELS: 714, 1010	ESI/ESIN	50/60HZ
PH: 1	VOLTS: 208-240	WATTS: 14.4-18.9kW
		AMPS: 69.2-79.0A

AUTO-SHAM
 MCNOMINEE FALLS, WISC. 53052-1450

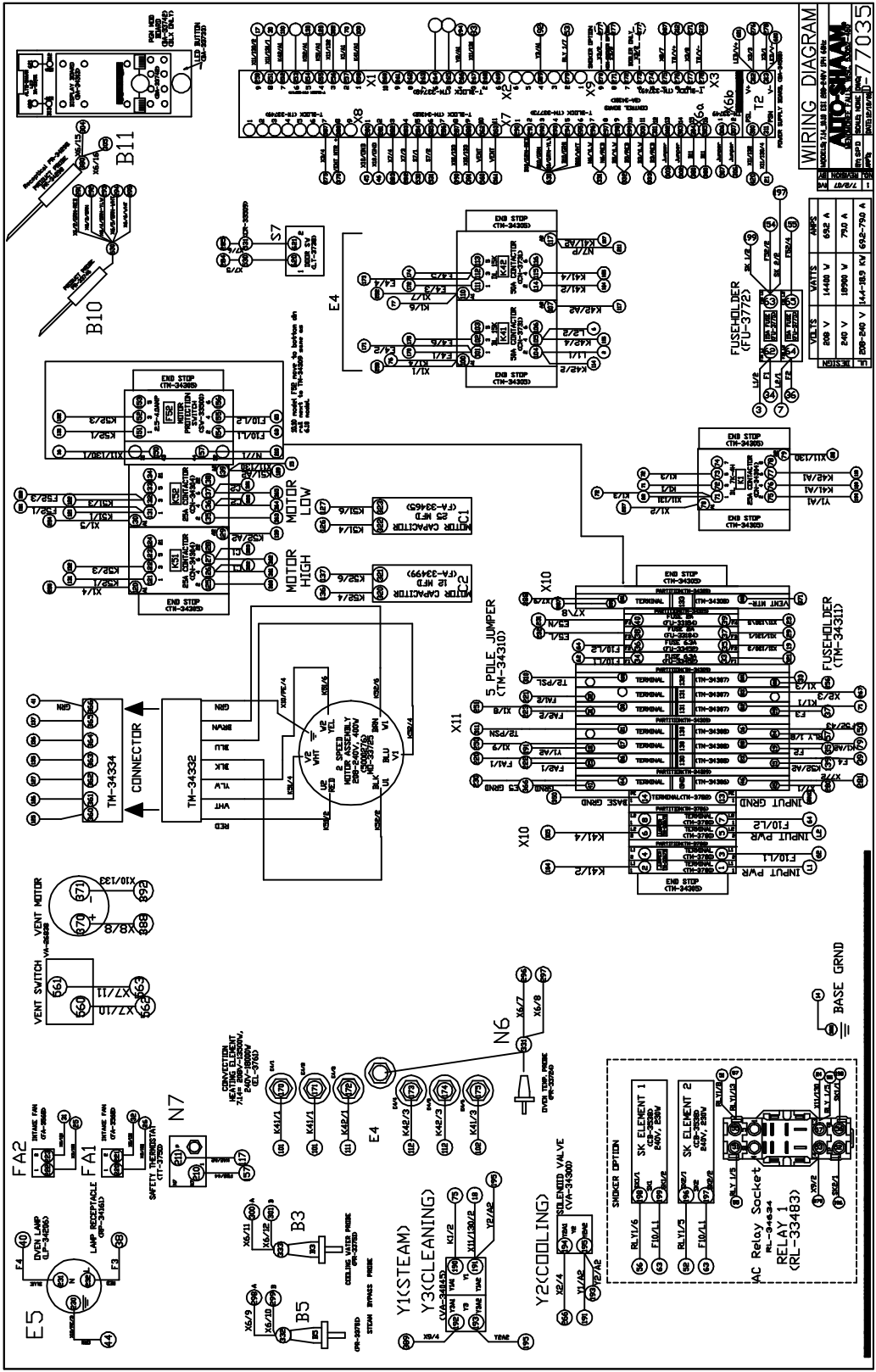
BY: M.V.G. SCALE: DATE: 7/20/07 DWG: 77035



MODEL	714-2010	EST/ISSN	03/25
PH	3	VOLTS	208-240V
AMPER		WATTS	142-1830W
DATE	03/25	REV	01

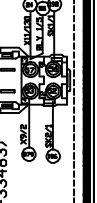
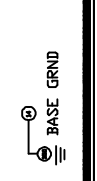
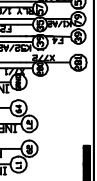
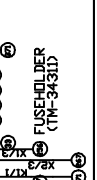
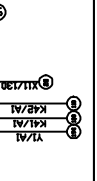
ALTO-SHAAM
 WATER HEATER
 MODEL 714-2010

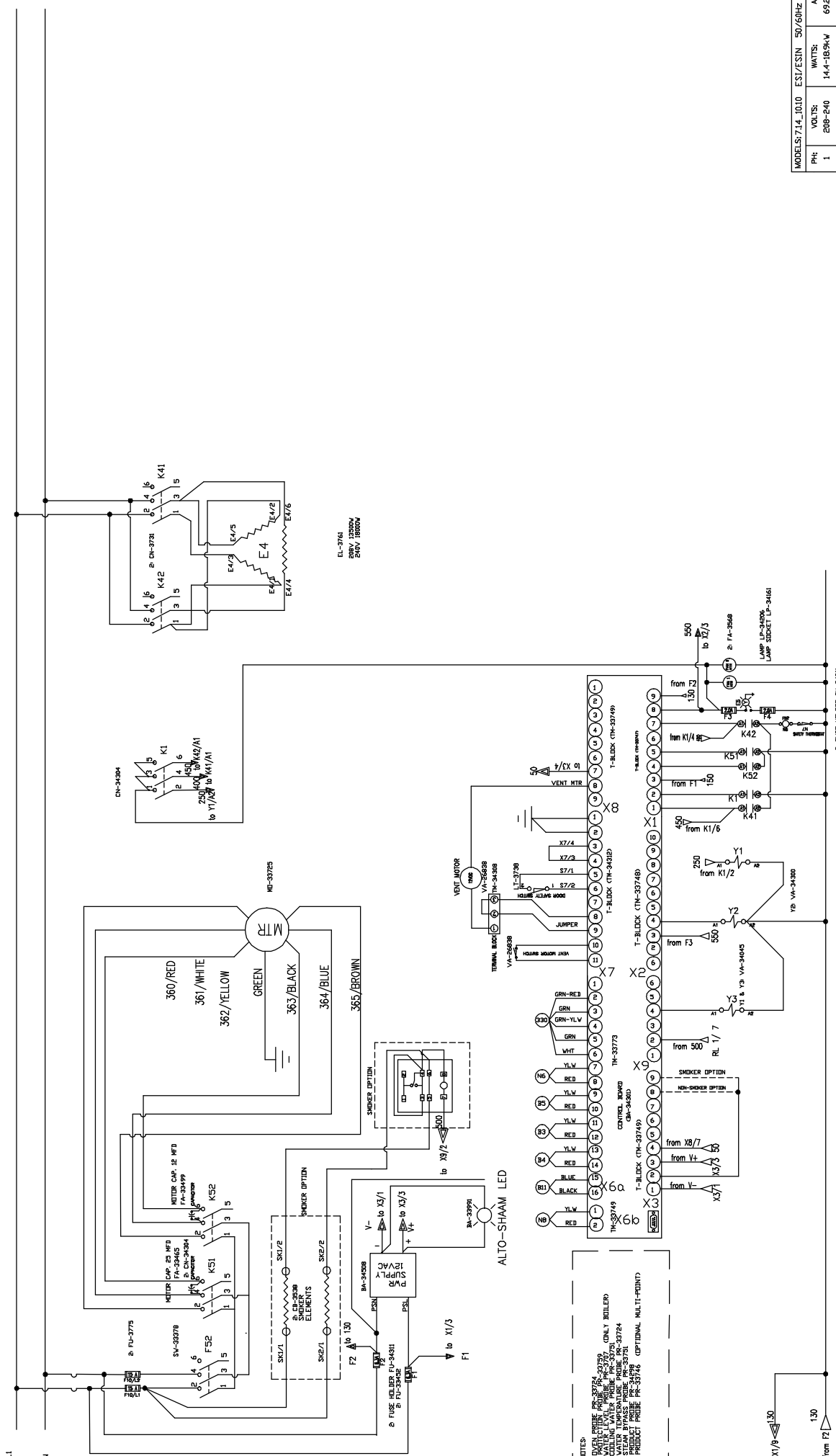
DATE: 03/25/2010
 REV: 01
 77044



WIRING DIAGRAM
 MODEL 74 LAB SET 68-200 P1 ONE
ALCOHOL
 PART NO. 74035
 DATE 12/8/72

VOLTS	AMPS
1440 V	60E A
240 V	1000E V
240 V	144-183 MV
240 V	69E-790 A





EL-3761
 200V 1350W
 240V 1800W

NOTES:
 1. DRYER PROBE PR-33724
 2. WATER TIGHT PROBE PR-33729 (ONLY BOLLERS)
 3. CHILLING WATER PROBE PR-33740
 4. STEAM PRESSURE PROBE PR-33741
 5. STEAM PRESSURE PROBE PR-33742
 6. STEAM PRESSURE PROBE PR-33743
 7. PRODUCT PROBE PR-33746 (OPTIONAL MULTI-POINT)

MODELS: 714, 1010	ESI/ESIN	50/60HZ
PH: 1	VOLTS: 208-240	WATTS: 144-189kW
		AMPS: 692-790A
BY: M.V.G	SCALE:	DWG: S0057-150
APPD:	DATE: 7/20/07	D-77035

AUTO-SHAAM
 MCLENNAN FALLS, WISC. 53052-1450