

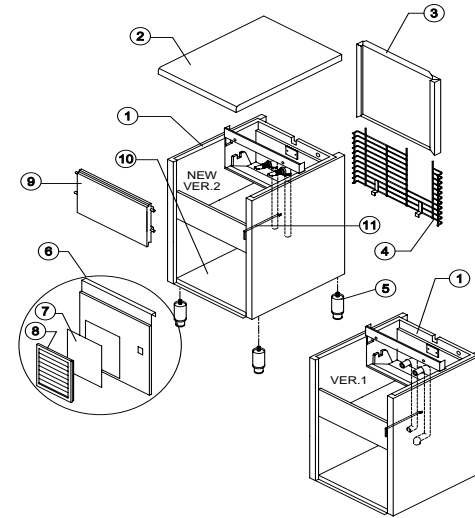


CB 316

LIST OF THE EXPLODED VIEWS



SHELL ASSY

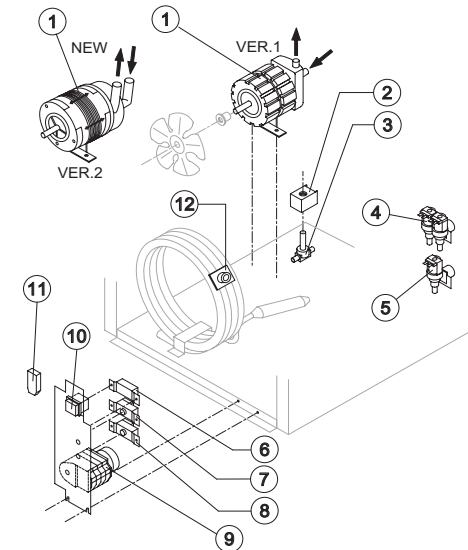
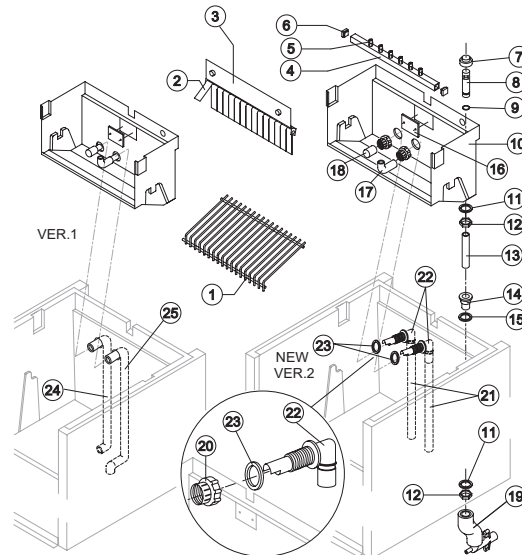
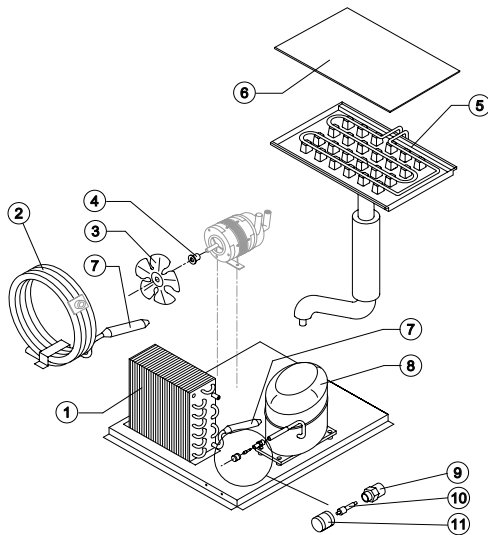


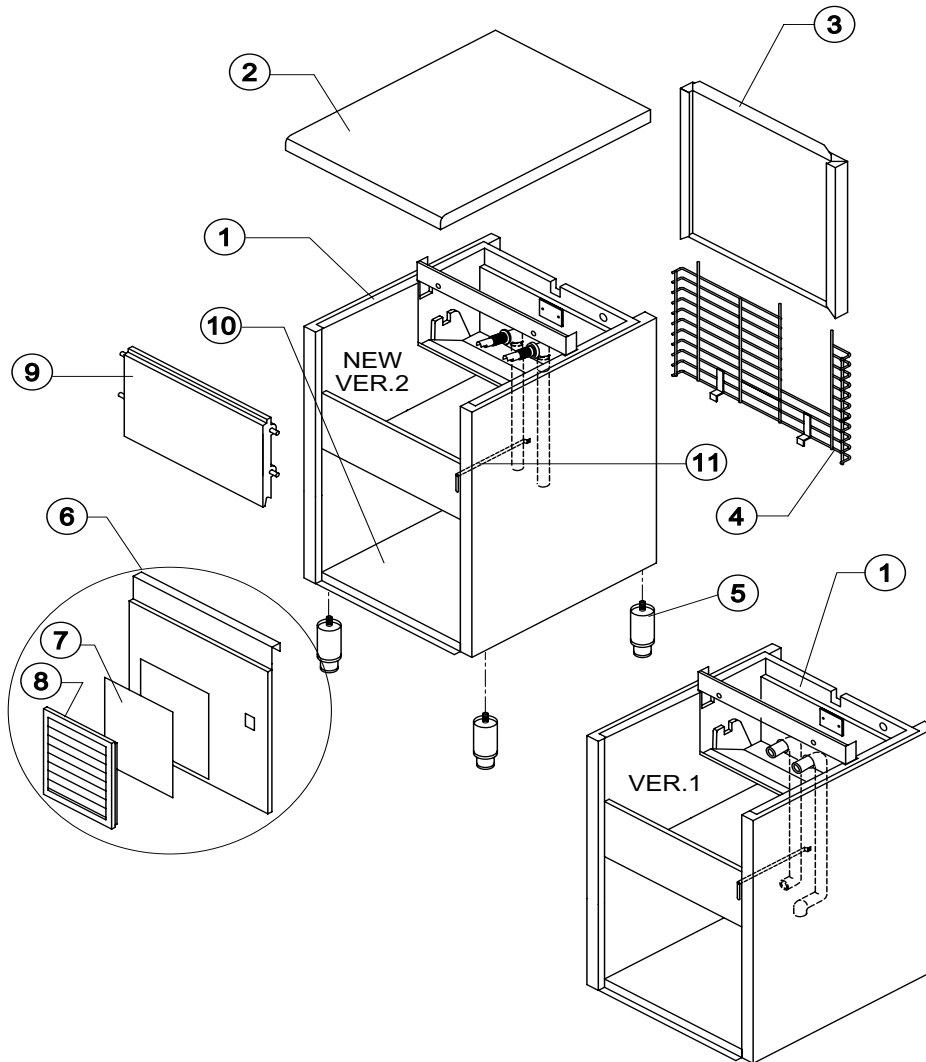
COOLING SYSTEM

HYDRAULIC CIRCUIT

ELECTRIC PARTS

Rev. 2 - 10/2/2003





Rev. 2 - 10/2/2003

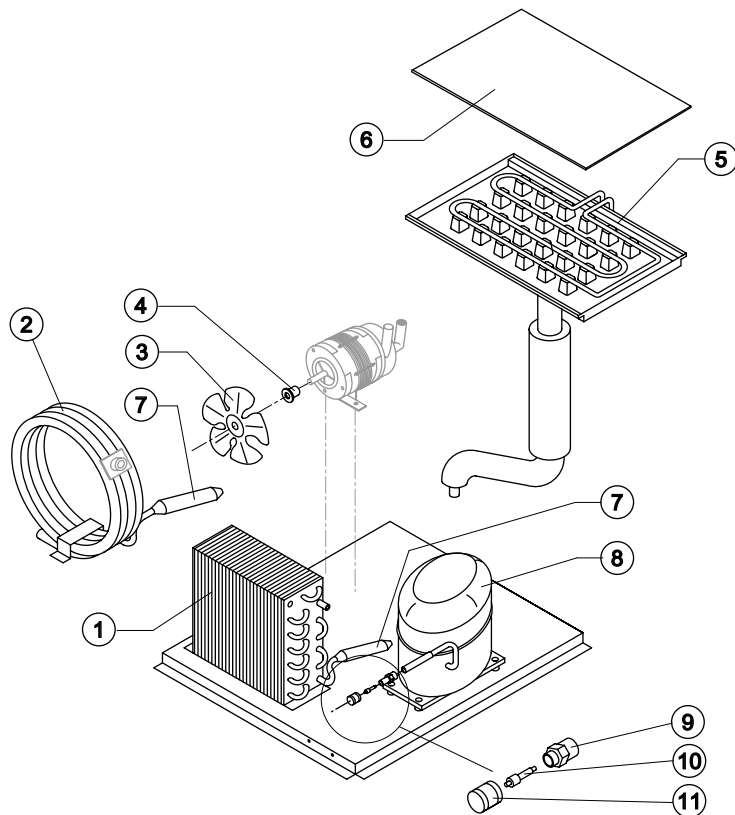
Ref.	Spare Description	Code
1	Foamed Cabinet Assy	See Table
2	Top Assembly	C22692
3	Back Panel Assembly	C22129
4	Rear Grid	D12006
5	Stainless Steel Foot Adjustable	Current Version
5	ABS Foot	Till s/n. 141256
6	Front Grid Panel	Current Version
6	Front Panel	Till s/n. 28687
7	Filtering Panel	18106
8	Grid + Frame	C10205
9	Door Assy	C10297
10	Base Plate	Current Version
10	Base Plate	Till s/n. 141256
11	Bulb Thermostat Tube	Current Version
11	Bulb Thermostat Tube	Till s/n. 94730

Ref. 1 - Foamed Cabinet Assy
Version 1

Kind of Cube	Code
18 g. (Standard)	C11004/E
33 g. (Big)	C11004/E
13 g. (Small)	C11004/ED

Ref. 1 - Foamed Cabinet Assy
Version 2

Condensation	Code
Air	C11004A
Water	C11004W



Common Parts

Ref.	Spare Description	Code
3	Suction Impeller	10213
4	Hub+Washer+Screw	10014
5	Evaporator	See Table
6	Evaporator Cover	10023
7	Molecular Drier	14009
8	Compressor	See Table
9	Vacuum-Charge Valve Body	14007
10	Vacuum-Charge Valve Device	14005
11	Vacuum-Charge Valve Plug	14006

Parts for Air-Cooled Version Only

Ref.	Spare Description	Code
1	Air Condenser	20283

Parts for Water-Cooled Version Only

Ref.	Spare Description	Code	
2	Water Condenser	Current Version	14014
2	Water Condenser	Till s/n. 28572	14002

Ref. 5 - Evaporator

Kind of Cube	Code
18 g. (Standard)	D10046
33 g. (Big)	D10089
13 g. (Small)	D10417

Ref. 8 - Compressor

Tension	Refr. R404A	Refr. R22
220/240V 50 Hz	23441	23313
220/230V 60 Hz	23494	23345
110/115V 60 Hz	23446	23369

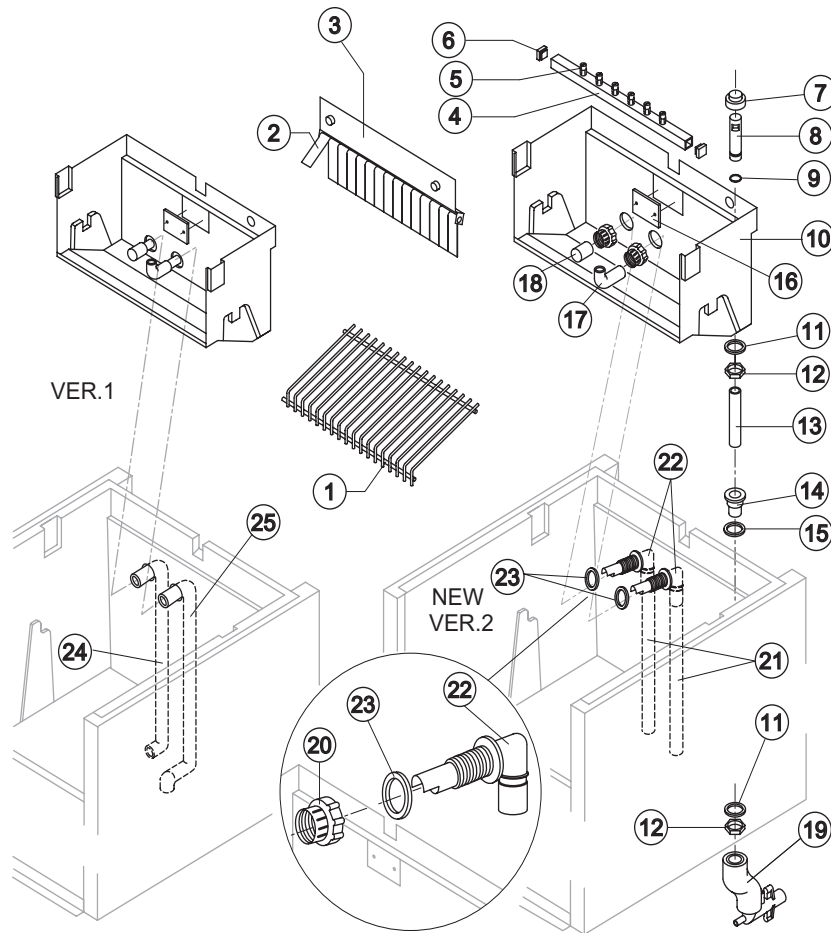


Ref. 5 - For ice makers made in version 1 (for "small size" ice cube only) ask, beside the Evaporator, also the Evaporator Support.



CB 316

HYDRAULIC CIRCUIT



Ref. 1 - Ice Cubes Slide

Kind of Cube	Code
18 g. (Standard)	D12008
33 g. (Big)	D12030
13 g. (Small)	D12038

Ref. 4 - Sprayers Bar

Kind of Cube	Code
18 g. (Standard)	C20029
33 g. (Big)	C20155
13 g. (Small)	C20189

Common Parts

Ref.	Spare Description	Code
1	Ices Cube Slide	See Table
2	Flag	10005
3	Flags Support Assy	C22035
4	Sprayers Bar Assembly	See Table
5	Sprayer	D20002
6	Sprayers Bar Plug	10012
7	Overflow Cap	10305
8	Overflow Pipe	10133
9	Or Gasket for Overflow Pipe	20233
10	Inner Basin	10253
11	Semirigid Polyethylene gasket	13007
12	Bin Discharge Nut	10096
13	Overflow Pipe	Current Version
13	Overflow pipe	Till s/n. 64147
14	Plastic Nipple Water Outlet	10007
15	Silicone Gasket	13006
16	Slide Keep Plate	10009
17	Sprayers Feeding Pipe	13005
18	Pump Suction Filter	20005
20	Fittings Locking Ring	Version 2
20	Fittings Locking Ring	10405
21	Pump Suction/Delivery Pipe	Version 2
21	Pump Suction/Delivery Pipe	13138
22	Fitting of the Pump Suction/Delivery Pipes	Version 2
22	Fitting of the Pump Suction/Delivery Pipes	10404
23	Gasket for Suction Line/Pump Delivery	Versio n 2
23	Gasket for Suction Line/Pump Delivery	13143
24	Pump Suction Pipe	Versio n 1
24	Pump Suction Pipe	13013
25	Pump Delivery Pipe	Version 1
25	Pump Delivery Pipe	13014

Parts for Air Cooled Version Only

Ref.	Spare Description	Code
19	Discharges Manifold	C10006

Parts for Water Cooled Version Only

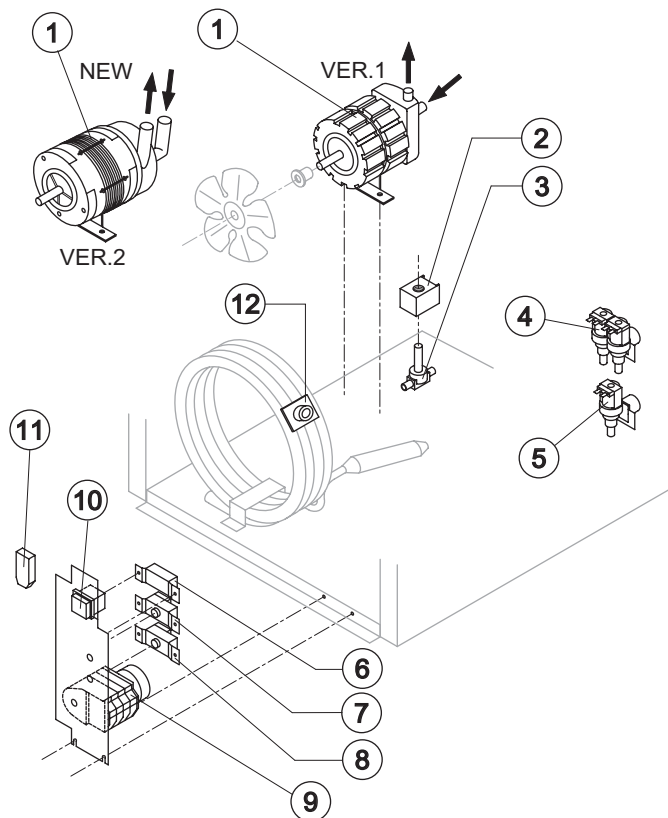
Ref.	Spare Description	Code
19	Discharges Manifold	C26452

Rev. 2 - 10/2/2003



CB 316

ELECTRIC PARTS



Common Parts

Ref.	Spare Description	Code
1	Pump	See Table
2	Hot Gas Coil	See Table
3	Hot Gas Valve Body	20410
7	Bin Thermostat	23005
8	Evaporator Thermostat	23591
9	Timer	See Table
10	Green Light Switch	23327

Parts for Air-Cooled Version Only

Ref.	Spare Description	Code
5	Inlet Watervlve 1 Way	See Table

Parts for Water-Cooled Version Only

Ref.	Spare Description	Code
4	Inlet Watervlve 1 Way	See Table
6	Condenser	23175
11	Anti Radio Interference Filter	Only 220V 50 Hz
12	Safety Thermostat	C23114

Ref. 1 - Pump

Tension	Version 1	Version 2
220/240V 50 Hz	23002	23377
220/230V 60 Hz	23002	23377
110/115V 60 Hz	23264	23663

Ref. 2 - Hot Gas Coil

Tension	Code
220/240V 50 Hz	23091
220/230V 60 Hz	23091
110/115V 60 Hz	23256

Ref. 9 - Timer

Tension	18 g Cube	33 g Cube	13 g Cube
220/240V 50 Hz	23222	23248	23247
220/230V 60 Hz	23248	23396	23247
110/115V 60 Hz	23259	23397	23258

Ref. 5 - Inlet Watervlve 1 Way

Tension	Code
220/240V 50 Hz	23115
220/230V 60 Hz	23115
110/115V 60 Hz	23410

Ref. 4 - Inlet Watervlve 2 Ways

Tension	Code
220/240V 50 Hz	23116
220/230V 60 Hz	23116
110/115V 60 Hz	23322

Rev. 2 - 10/2/2003