

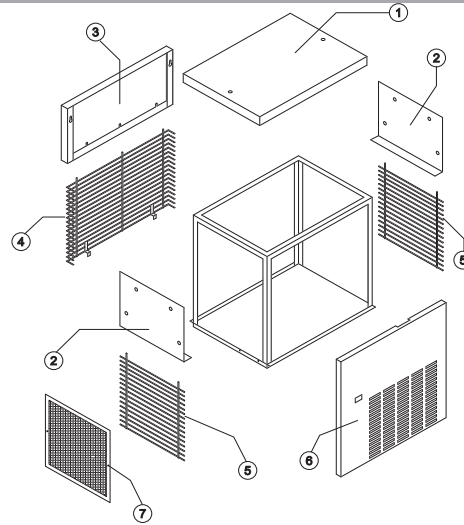


# G 500

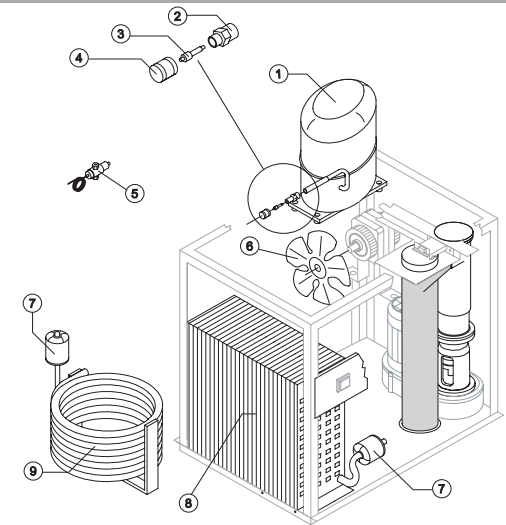
## LIST OF THE EXPLODED VIEWS



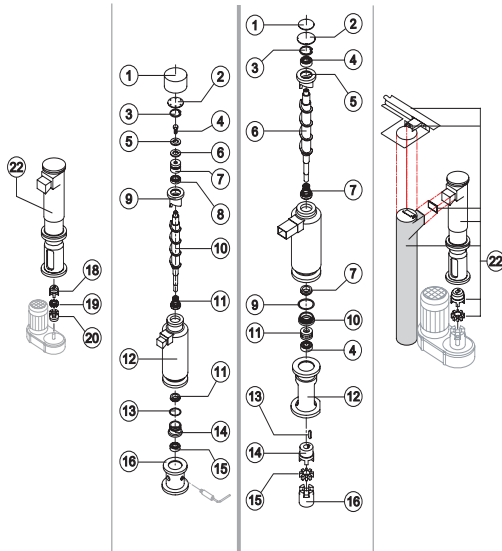
### SHELL ASSY



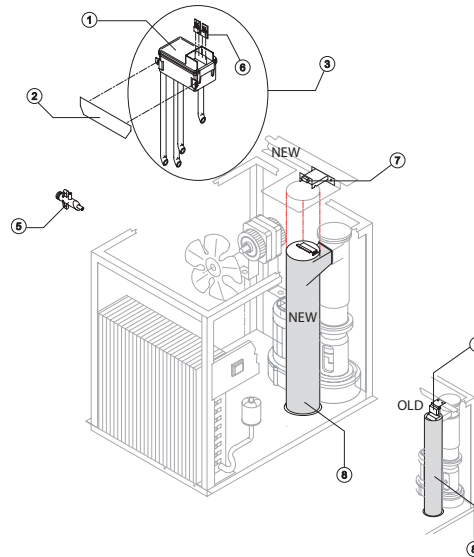
### COOLING SYSTEM



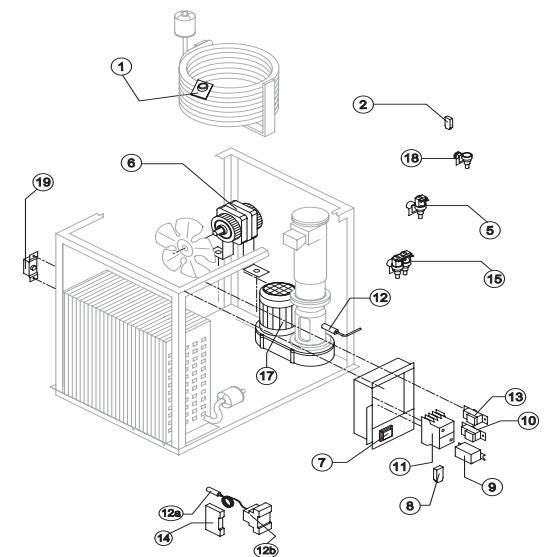
### EVAPORATOR



### HYDRAULIC CIRCUIT



### ELECTRIC PARTS

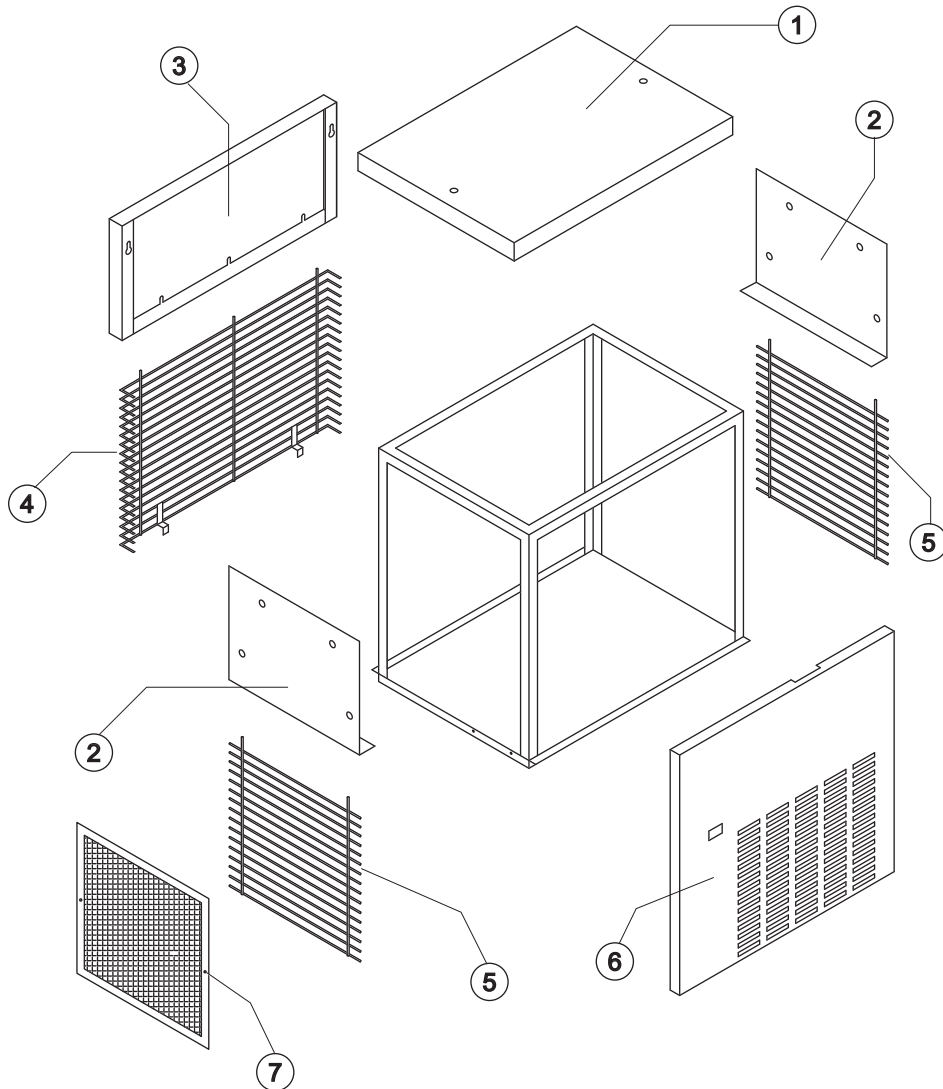


Rev. 5 - 19/04/2004b



# G 500

# SHELL ASSY



### Common Parts

Ref.	Spare Description	Code
1	Top	22667
2	Right/Left Panel	22663
3	Back Panel	22665
4	Back Grid	D12060
5	Lateral Grid	D12061
6	Front Panel Assembly	C22662B

### Parts for Air-Cooled Version Only

Ref.	Spare Description	Code
7	Filter	18163

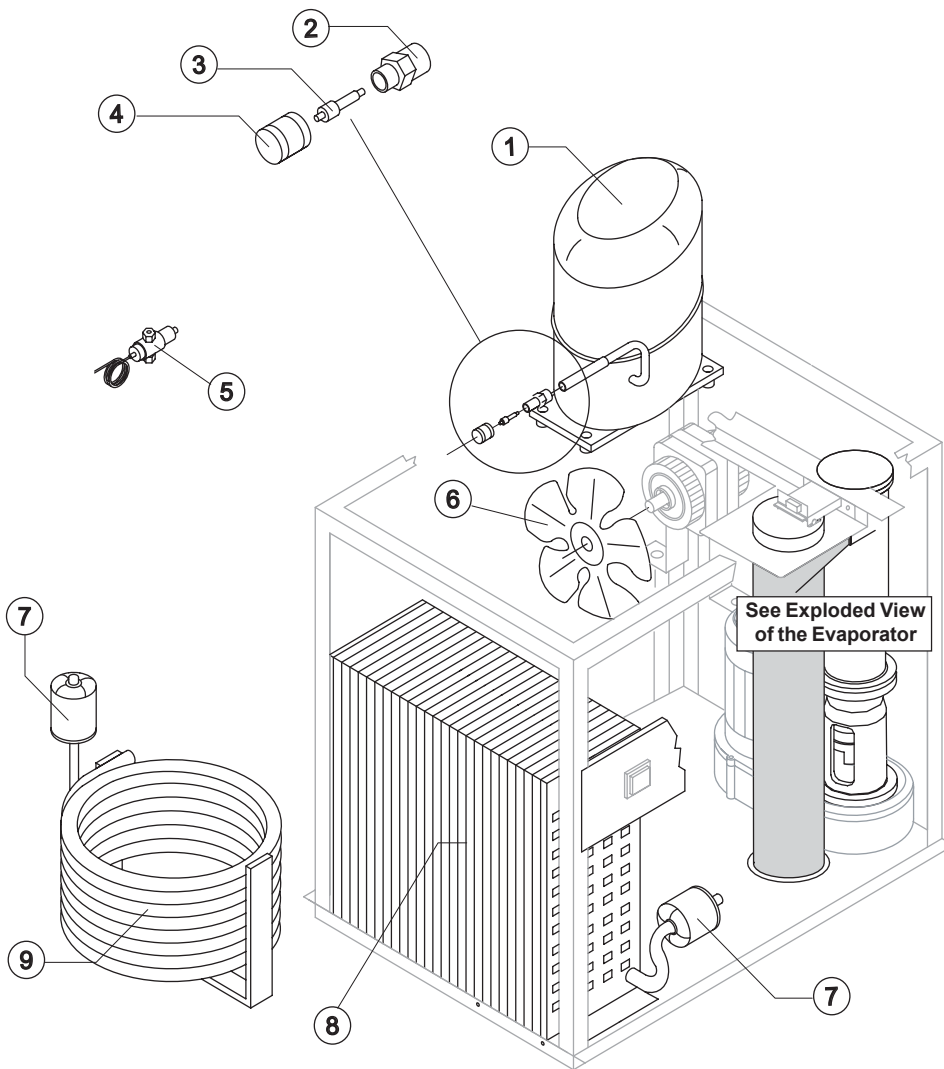
Rev. 5 - 19/04/2004b



# G 500

## COOLING SYSTEM

Rev. 5 - 19/04/2004b



### Common Parts

Ref.	Spare Description	Code
1	Compressor	See Table
2	Vacuum-Charge Valve Body	14007
3	Vacuum-Charge Valve Device	14005
4	Vacuum-Charge Valve Plug	14006
7	Solid Core Drier	14084

### Parts for Air-Cooled Version Only

Ref.	Spare Description	Code
6	Suction Fan	20407
8	Air Condenser	Current Version
8	Air Condenser Assy	Till s/n. 194938

### Parts for Water-Cooled Version Only

Ref.	Spare Description	Code
5	Pressure Valve	20210
6	Suction Impeller	10213
9	Water Condenser	14212

### Ref. 1 - Compressor

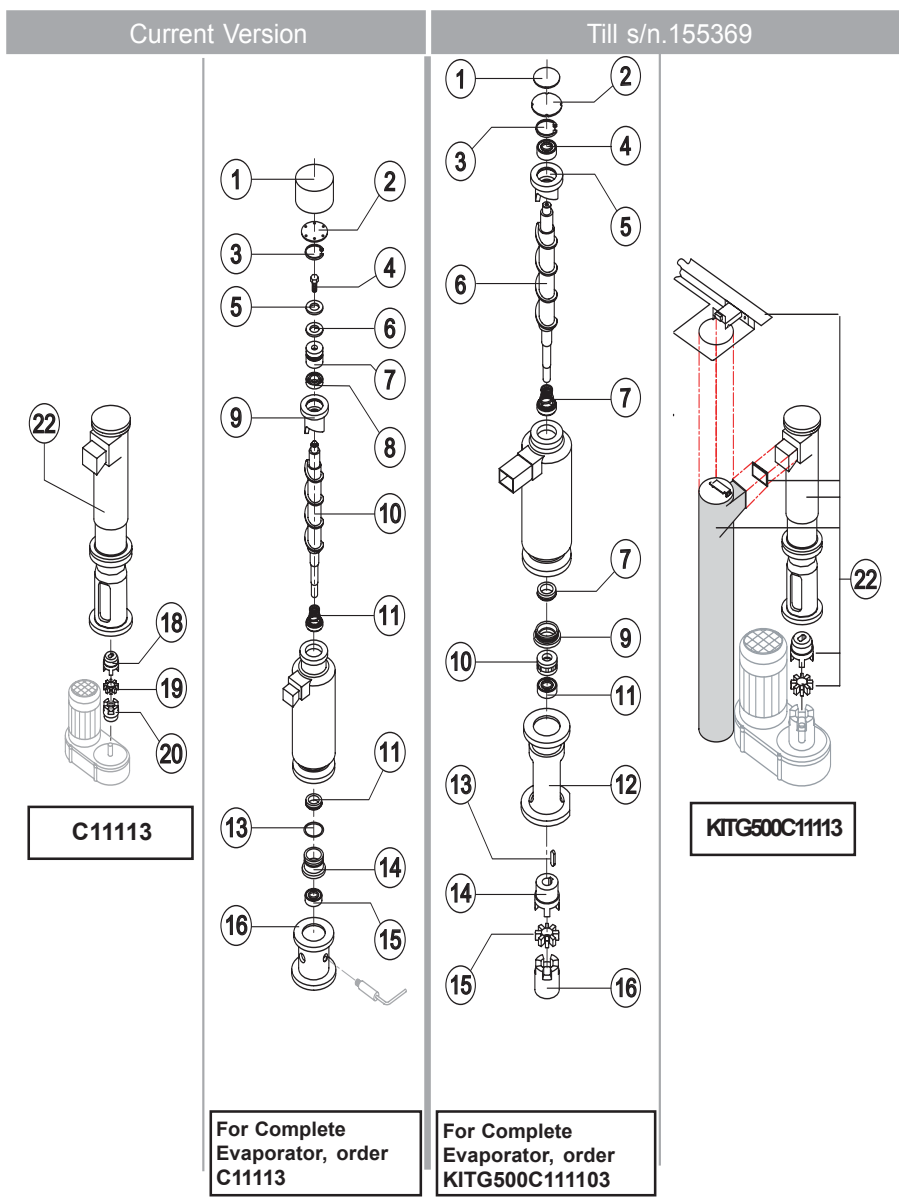
Tension	Code	Notes
220/240V 50 Hz	23543	
220/230V 60 Hz	23642	
400V 3N 50 Hz	23588	Current Version
400V 3N 50 Hz	23589	Till s/n. 188963



# G 500

# EVAPORATOR

Rev. 5 - 19/04/2004b



For Complete Evaporator, order C11113

For Complete Evaporator, order KITG500C111103

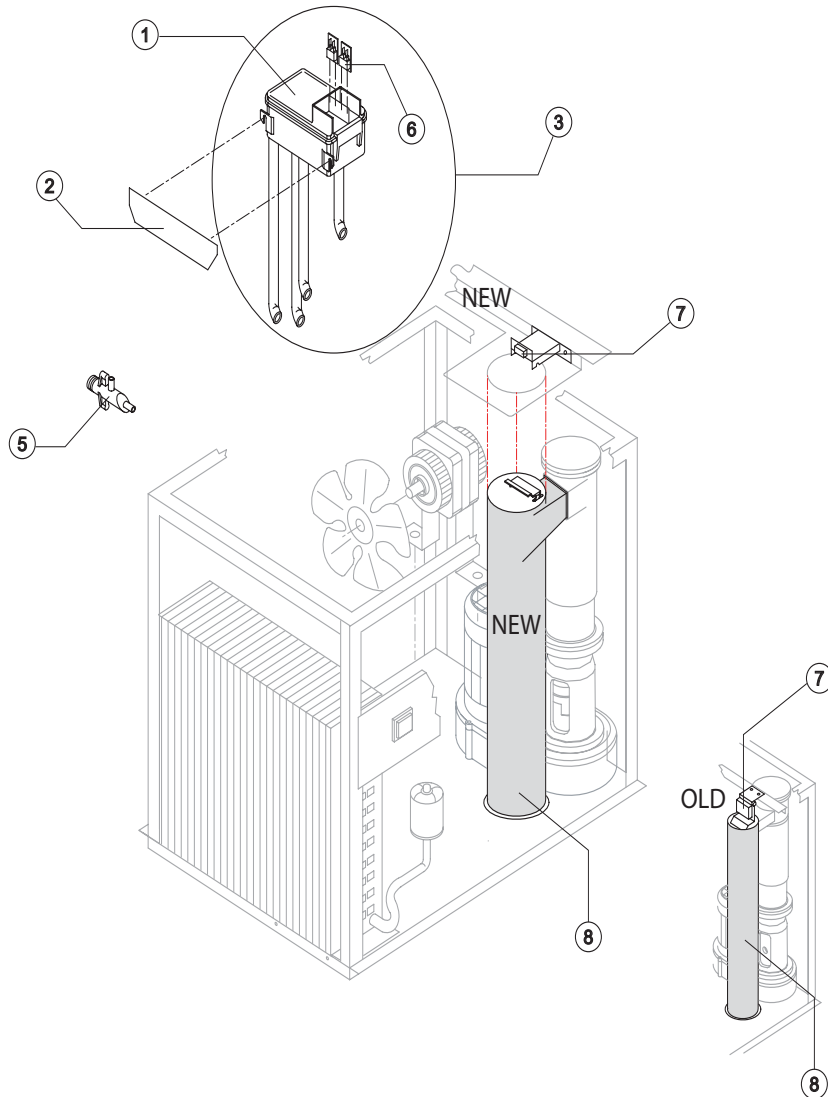
Ref.	Spare Description (Current Version)	Code
1	Insulating Top Panel	18165
2	Closing Disk	22670
3	Seeger	20116
4	Inox Screw	Current Version 20664
4	Inox Screw	Till s/n. 169028 15094
5	Shimming Disk	22829
6	Self-Lubricating Disk	20639
7	Stainless Steel Thrust Bearing	Current Version 20685
7	Stainless Steel Thrust Bearing	Till s/n. 205975 20648
8	OR Gasket 4137	Current Version 20689
8	Seal Ring	Till s/n. 205975 20640
9	Ice Breaker	Current Version 20781
9	Ice Breaker	Till s/n. 219167 20645
10	Auger	Currente Version 20780
10	Auger with Screw	Till s/n. 219167 C20646
11	Ceramic Seal	20643
13	OR Gasket 4312 NBR	20205
14	Reduction Ring	20647
15	INOX Bearing	20113
16	Flange	20644
18	Semi-Joint Upper	D20642
19	Vibration-Damping Elastomer	20494
20	Semi-Joint Lower	D20493
22	Evaporator Assy	Current Version C11113
22	Evaporator Assy	Till s/n. 230442 KITG500C11113

Ref.	Spare Description (Till s/n.155369)	Code
1	Insulating Cover	18125
2	Closing Disk	22670
3	Seeger	20116
4	Inox Bearing	20113
5	Ice Breaker	20503
6	Auger	20516
7	Ceramic Seal	20110
9	OR Gasket 4312 NBR	20205
10	Ring for Ceramic Seal	20504
11	Stainless Steel Thrust Bearing	20111
12	Flange	20482
13	Key	20431
14	Semi-Joint Upper	Current Version D20517
14	Semi-Joint Upper	Till s/n. 81178 D20493
15	Vibration-Damping Elastomer	20494
16	Semi-Joint Lower	D20493
22	Evaporator Assy	ex C11106 KITG500C11113



# G 500

## HYDRAULIC CIRCUIT



### Common Parts

Ref.	Spare Description	Code
1	Double Switch Basin	10145
2	Basin Support Plate	21133
3	Double Switch Basin Assembly	C10314
6	Microswitch	23055
7	Bin Level Control Microswitch	Current Version 23196
7	Bin Level Control Switch	Till s/n. 230442 C22099
8	Assembled Ice Outlet Pipe	Current Version C10460
8	Assembled Ice Outlet Pipe	Till s/n. 230442 C13115

### Parts for Air-Cooled Version Only

Ref.	Spare Description	Code
5	Discharges Manifold	C10052

### Parts for Water-Cooled Version Only

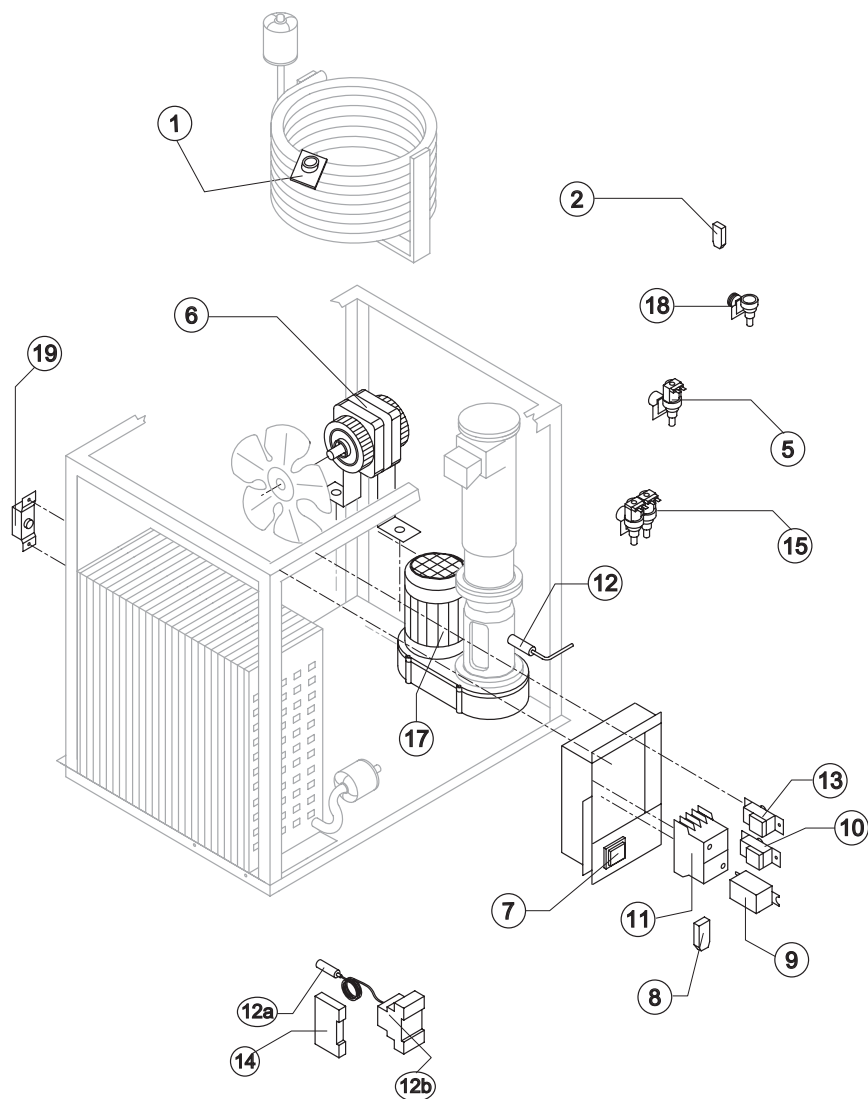
Ref.	Spare Description	Code
5	Discharges Manifold	C10053

Rev. 5 - 19/04/2004b



# G 500

## ELECTRIC PARTS



### Common Parts

Ref.	Spare Description	Code
2	Anti Radio Interference Filter	220/240V 50 Hz and 400V 3N 50 Hz C23457
5	Inlet Watervalue 1 Way	23115
7	Green Light Switch	23327
10	Evaporator Thermostat	R23034
11	Contactor	23147
12	Rotation Sensor	Current Version 23676
12a	Probe of the Rotation-Sensor Electrical Control Block	Till s/n. 188580 23634
12b	Rotation Sensor Switchboard	Till s/n. 188580 23633
13	Bin Thermostat	R23421
14	Electronic Timer	Till s/n. 155369 23560
17	Gearmotor	Current Version 23638
17	Gearmotor	Till s/n. 155369 23571
19	Safety Thermostat	23342

### Parts for Air-Cooled Version Only

Ref.	Spare Description	Code
6	Fan Motor	23121
8	Anti Radio Interference Filter	220/240V 50 Hz and 400V 3N 50 Hz C23459
9	Condenser Pressure Switch	23175

### Parts for Water-Cooled Version Only

Ref.	Spare Description	Code
1	Safety Thermostat	Till s/n. 138027 C23114
6	Fan Motor	23029
15	Inlet Watervalue 2 Ways	Till s/n. 123470 C23192
18	1 Way Inlet Water Nipple	10368

Rev. 5 - 19/04/2004b