

# DISHWASHER

ELECTROMECHANICAL SWITCHES  
LOWER AND UPPER WASHING  
INSULATED MODEL

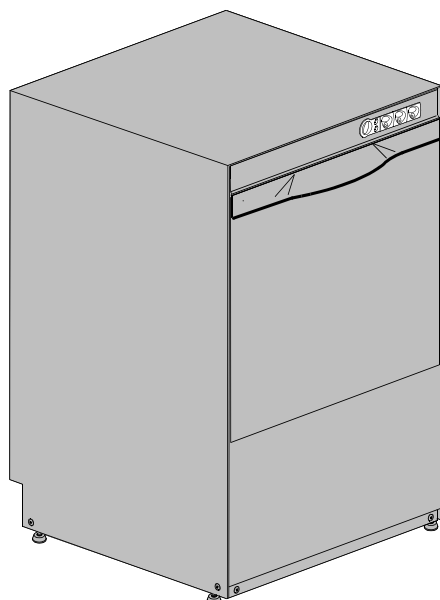
TYPE: 86U

Accessories  
BREAK TANK  
BOOSTER PUMP  
DVGW  
COLD RINSE  
WATER SOFTNER  
DETERGENT DISPENSER  
DRAIN PUMP

---

## Spare Parts Manual

---



## INFORMAZIONI GENERALI

Questo catalogo serve per richiedere con esattezza le parti di ricambio

Nelle ordinazioni indicare:

1) il numero dei codici dei particolari seguito dalla descrizione e la quantità desiderata;

2) Il codice alfa-numerico presente nella seconda colonna della tabella ;

**I disegni delle parti di ricambio sono solo indicativi e non rappresentano il pezzo in oggetto.**

**I dati contenuti in questo catalogo sono indicativi e possono essere soggetti a modifiche senza impegno di preavviso.**

## ALLGEMEINE INFORMATIONEN

Dieser Ersatzteilkatalog dient zur genauen Angabe der Teile bei Ersatzteilbestellungen.

Bei Ersatzbestellung ist folgendes anzugeben:

1) Die Bestellnummer der Ersatzteile mit der entsprechenden Beschreibung genaue Menge;

2) Der alpha-numerischer Code auf der zweiten Reihe in dein Spalte;

**Die Zeichnungen der Ersatzteile sind nur als Hinweise gedacht und stellen nicht das betroffene Teil dar.**

**Bei den im Katalog angeführten Daten handelt es sich um Anhaltsdaten, die jederzeit, ohne Vorankündigung, geändert werden können.**

## GENERAL INFORMATION

The present spare parts order exactly the right spare parts

When ordering specify:

1) the part's code number followed by its description and quantity needed;

2) The alpha-numeric code is in the second column in the chart;

**Spare parts drawings are general and do not represent the part.**

**The contents of this catalogue are general and can undergo changes without prior notice.**

## INFORMACIONES GENERALES

El presente catálogo sirve para pedir con exactitud las partes de repuesto

En los pedidos se debe indicar:

1) el número de código de la parte y a continuación la descripción cantidad deseada;

2) El código alfanumerico presente en la signada columna de la tabla;

**Los diseños de las partes de recambio son solo indicativos y no representan la pieza en cuestión.**

**Los datos contenidos en el presente catálogo son indicativos y pueden modificarse sin aviso previo.**

## INFORMATIONS GENERALES

Ce catalogue permet de commander correctement les pièces détachées

Les commandes doivent être passées en indiquant:

1) le numero de code des pièces détachées suivi de leur description quantité désirée;

2) le code alphanumérique dans la deuxième colonne du tableau;

**Les plans des pièces détachées sont fournis seulement à titre indicatif et ne représentent pas la pièce concernée.**

**Les données de ce catalogue sont citées seulement à titre indicatif et peuvent être l'objet de modifications sans avis préalable.**

ESEMPIO  
EXAMPLE  
EXEMPLE  
BEISPIEL

Rif.	Codici
MODULE:Particolari	
10505	540903
10510	540908
10515	15065/A
10520	540086
10525	540028

**Note**

Tutte le informazioni riportate si intendono aggiornate alla data di stampa. Il Produttore si riserva il diritto di apportare qualsiasi modifica richiesta dallo sviluppo evolutivo dei suddetti prodotti.

Per la sicurezza, la garanzia, l'affidabilità ed il valore della lavastoviglie usa solo ricambi originali. **Per alcuni codici, sono richieste quantità minime d'ordine.**

**Attenzione**

Questo libretto è parte integrante della lavastoviglie e, in caso di passaggio di proprietà, deve essere consegnato al nuovo acquirente.

**Remarque**

Toutes les informations contenues dans ce manuel s'entendent mises à jour à la date d'impression. En raison du développement constant de ses produits, usine se réserve le droit d'apporter à tout instant les modifications qu'elle jugera utiles.

Pour la sécurité, la garantie, la fiabilité et la valeur de votre lave-vaisselles n'utilisez que des pièces de rechange d'origine. **Pour quelque référence on demande un minimum de pièces par commande**

**Attention**

Ce manuel doit être considéré comme partie intégrante de la lave-vaisselles, en cas de transfert de propriété, doit toujours être remis au nouveau propriétaire.

**Note**

The information contained herein is valid at the time of going to print. The Company reserves the right to make any changes required by the future development of the above-mentioned products.

For your safety, as well as to preserve the warranty reliability and worth of your dishwashers, use original spare parts only. **For some codes a minimum quantity for order is required.**

**Warning**

This manual forms an integral part of the dishwashers and - if a transfer of title occurs - must always be handed over to the new owner.

**Hinweis**

Die Der Hersteller behält sich das Recht vor, jegliche, durch eine Weiterentwicklung der genannten Produkte bedingte Änderungen vornehmen zu können.

Verwenden Sie für Ihre Sicherheit, die Garantie, die Zuverlässigkeit und den Wert Ihrer machine originale Ersatzteile. **Für bestimmte Code nummer werden mindesten bestellungen verlangt.**

**Achtung**

Diese Betriebsanleitung ist Bestandteil des machine und muss bei seinem Weiterverkauf dem neuen Besitzer ausgehändigt werden.



---

**Code** 999XYYYY

**Model DESCRIPTION**

**S/N** 04012345    **Type** .....

**CL/Part**



400VAC3N    50HZ    8A

3500W                      500W




16A

**TECHICAL SPECIFICATION**

**200-500**

**MADE IN ITALY**

Pressione Dinamica alimentazione idrica    200-500

Pression dynamique arrivee d'eau

Dynamic pressure water supply

Dynamischer Druck asserreinlauf

Pressione dinamica vapore saturo

Pression dynamique vapeur satueeè

Dymanischer Druck gesattigter Dampf

Pression Dinamica Vapor Saturado


Temperatura massima acqua in ingresso **60°C**


Temperature max eau a l'entre

Maximale Temperatur Wasseranschlu

Maximum Water temperature in-feeding

---

Model 

S/N 

**CODE 999 XX YYYY**

FAMIGLIA PRODOTTO

FAMILY PRODUCT

FAMILLE DU PRODUIT

FAMILIA PRODUCTO

FAMILIE DES PRODUKTES

CODICE MODELLO

CODE MODEL

CODE ARTICLE

CODIGO MODELO

KODE VON MODELL

**S/N 04 012345**

ANNO

YEAR

ANNÉE

AN<sup>o</sup>

JAHR

NUMERO DI SERIE

SERIAL NUMBER

NUMÉRO DI SÉRIE

NUMERO DI SERIE

SERIENNUMMER



## 1. Spare parts

General body parts.....	5
Lockup system .....	7
Control panel and switches.....	9
Electric control components.....	11
Solenoid valve group .....	13
Solenoid valve group .....	15
Break Tank .....	17
DVGW .....	19
Water softner group.....	21
Rinse aid dispenser group.....	23
Rinse aid dispenser group.....	25
Boiler group .....	27
3 ways connection .....	29
Wash pump .....	31
Dosing detergent group.....	33
Drain pump group.....	35

**Pressure switch group with air trap ...37**

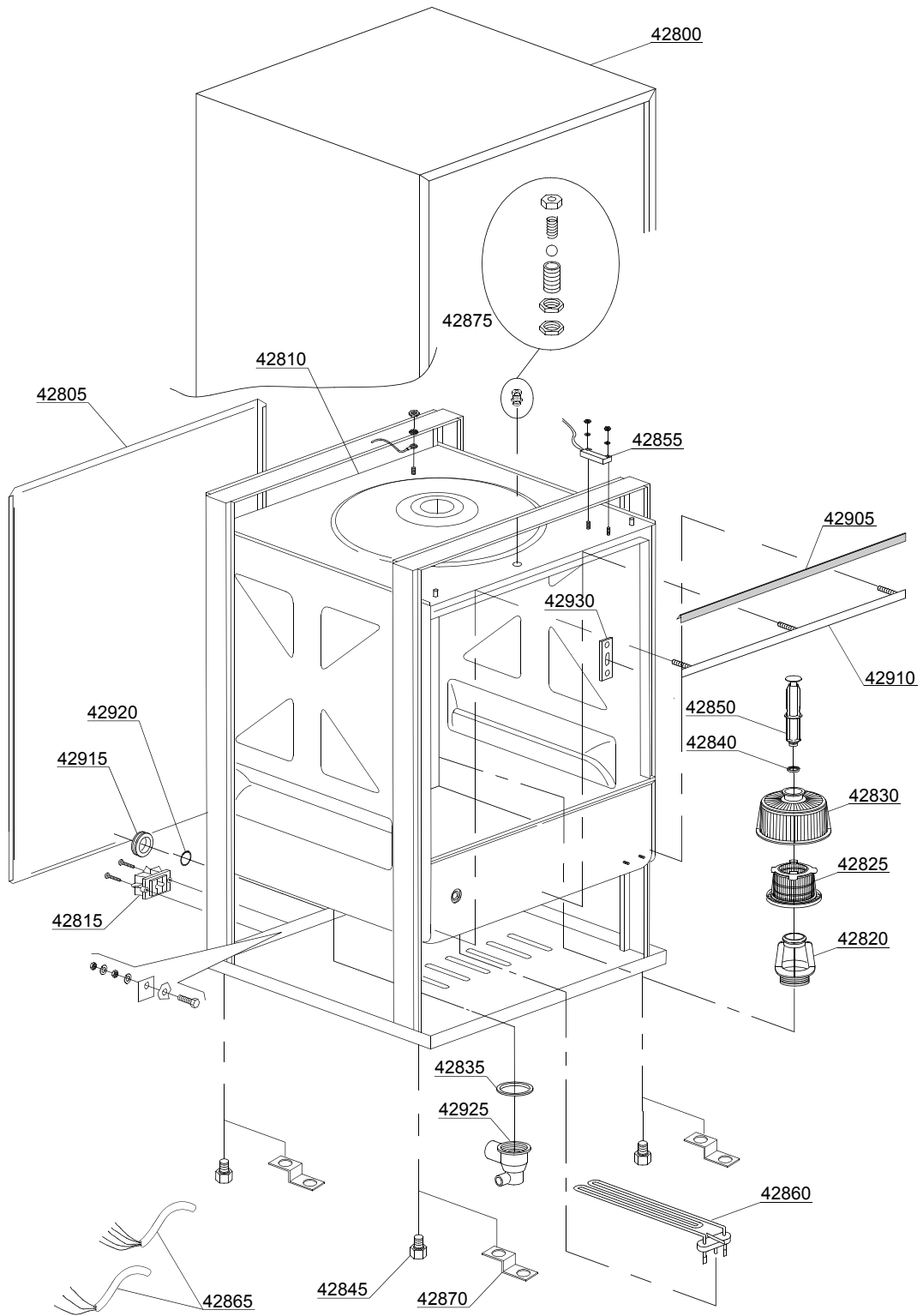
**Turret group with rotating arms .....39**

## 1.1 Voltage codes

Volt	Voltage code
A	3/N/PE~380-400V 50-60Hz
D	3/PE~200-210V 50-60Hz
F	2/PE~220-240V 50-60Hz
G	3/N/PE~415V 50-60Hz
H	3/PE~220-230V 50-60Hz
K	3/PE~380-400V 50-60Hz
L	3/PE~415V 50-60Hz
M	3/PE~440V 60Hz
P	1/N/PE~220-230V 50-60Hz
R	2/PE~220-240V 50-60Hz
U	1/N/PE~240V 50-60Hz
V	3/PE~240V 50-60Hz
W	1/N/PE~100-110V 50-60Hz

## 1.2 Product codes

Product code	Full name
Model codes	
em	ELECTROMECHANICAL SWITCHES
uw	LOWER AND UPPER WASHING
i	INSULATED MODEL
Type codes	
86U	86U
Accessory codes	
bt	BREAK TANK
bp	BOOSTER PUMP
dvgw	DVGW
cr	COLD RINSE
ws	WATER SOFTNER
dd	DETERGENT DISPENSER
dp	DRAIN PUMP



01\_038\_e



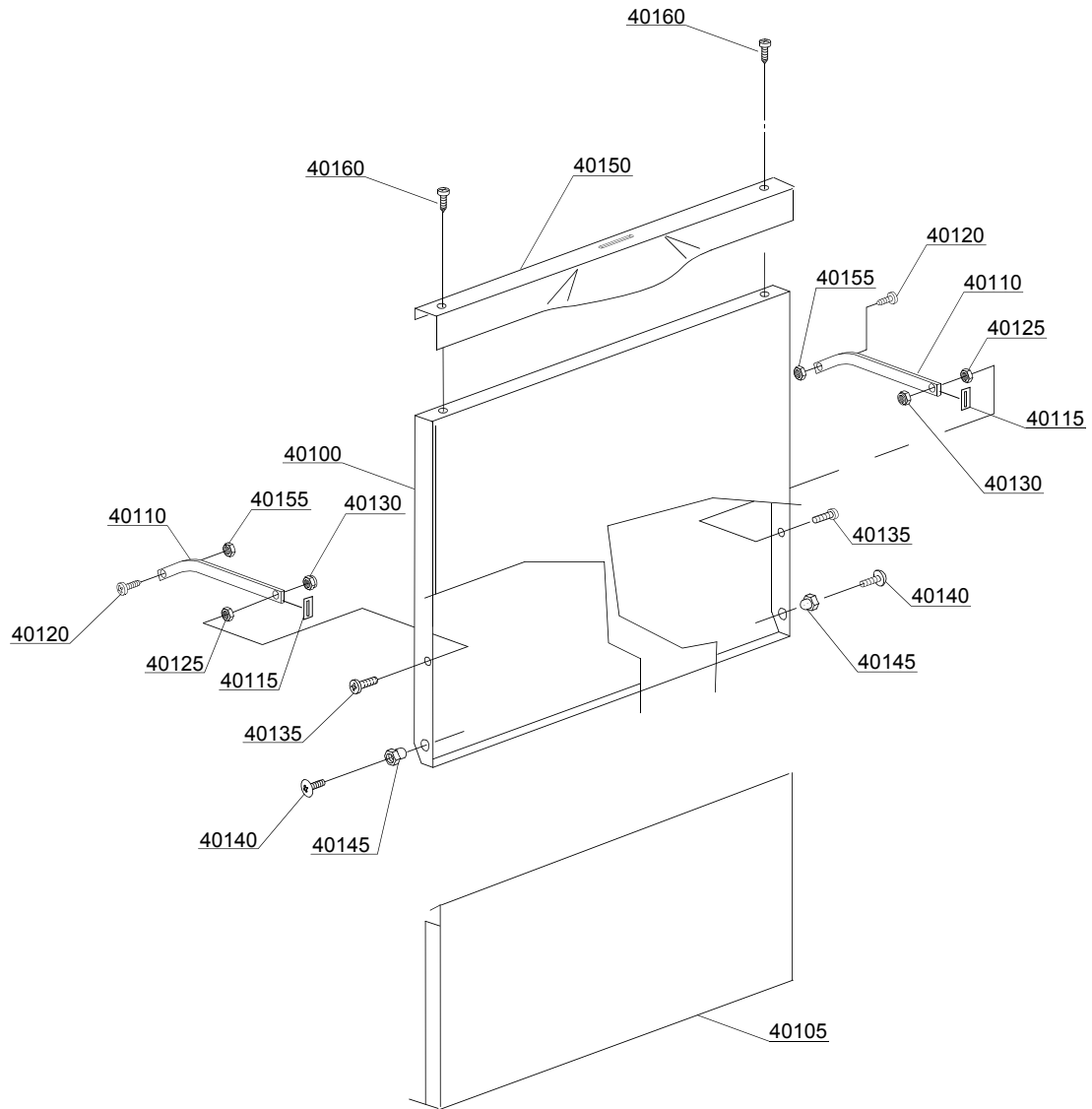
## Spare parts

ID	P-code	SN from	SN to	Mod.	Acces.	Volt	Description
<b>Module:General body parts</b>							
42800	451004		-				Cover
42805	451005		-				Back panel
42810	451000		-		ws		Body
42810	451001		-		ws		Depuration Body
42815	15065/A		-				Cable-fastener with screw
42820	500607		-				Ferrule with filter
42825	500600		-				Internal filter with rack
42830	500616		-				Suction filter
42835	80208		-				95x75x3 O-ring (minimum 2 pieces)
42840	13021		-				DEM 40 O-ring (minimum 2 pieces)
42845	10851		-				High foot (minimum 4 pieces)
42850	500618		-				Overflow pipe
42855	10778		-				Reed magnet
42860	150047		-				2,7/2,94KW 230/240V heating element
42860	16035/A		-				1850/2020W 230/240V 50Hz heating element
42865	15118		-				5x2,5x2500 cable
42865	15104/B		-				3x4x2500 cable
42865	10713		-				3x2,5x2500 cable
42875	10775		-				Door jack assembly
42905	135205		-				Door O-ring
42910	451006		-				Door O-ring angular
42915	13317		-				D.40mm unloading pipe pass (minimum 2 pieces)
42920	13323		-				D.13mm dosing pipe pass (minimum 2 pieces)
42925	500606		-				Right side scrap tray
42930	150401		-				Door rod slide (minimum 4 pieces)

em=ELECTROMECHANICAL SWITCHES, uw=LOWER AND UPPER WASHING, i=INSULATED MODEL  
86U=86U

bt=BREAK TANK, bp=BOOSTER PUMP, dvgw=DVGW, cr=COLD RINSE, ws=WATER SOFTNER, dd=DETERGENT DISPENSER, dp=DRAIN PUMP

A=3/N/PE~380-400V 50-60Hz, D=3/PE~200-210V 50-60Hz, F=2/PE~220-240V 50-60Hz, G=3/N/PE~415V 50-60Hz, H=3/PE~220-230V 50-60Hz, K=3/PE~380-400V 50-60Hz, L=3/PE~415V 50-60Hz, M=3/PE~440V 60Hz, P=1/N/PE~220-230V 50-60Hz, R=2/PE~220-240V 50-60Hz, U=1/N/PE~240V 50-60Hz, V=3/PE~240V 50-60Hz, W=1/N/PE~100-110V 50-60Hz



02\_302ce

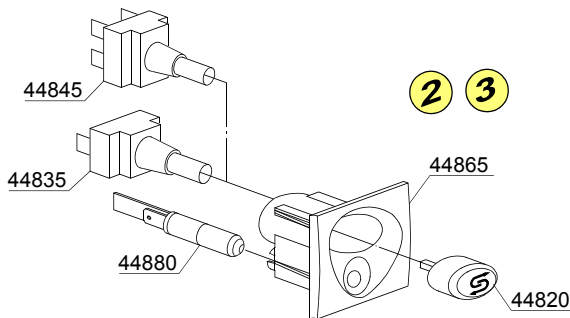
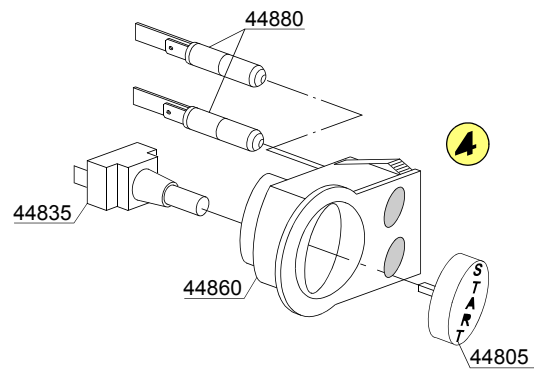
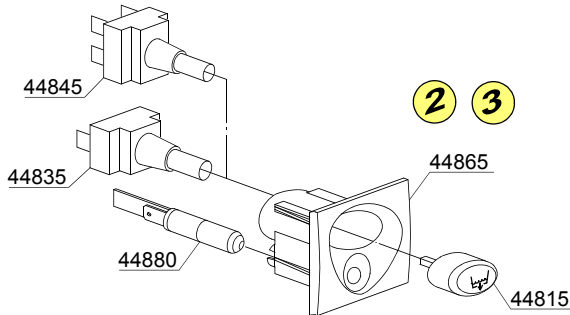
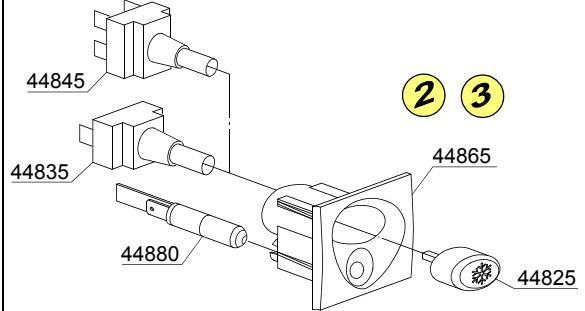
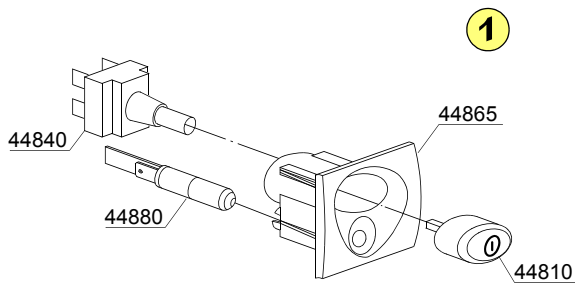
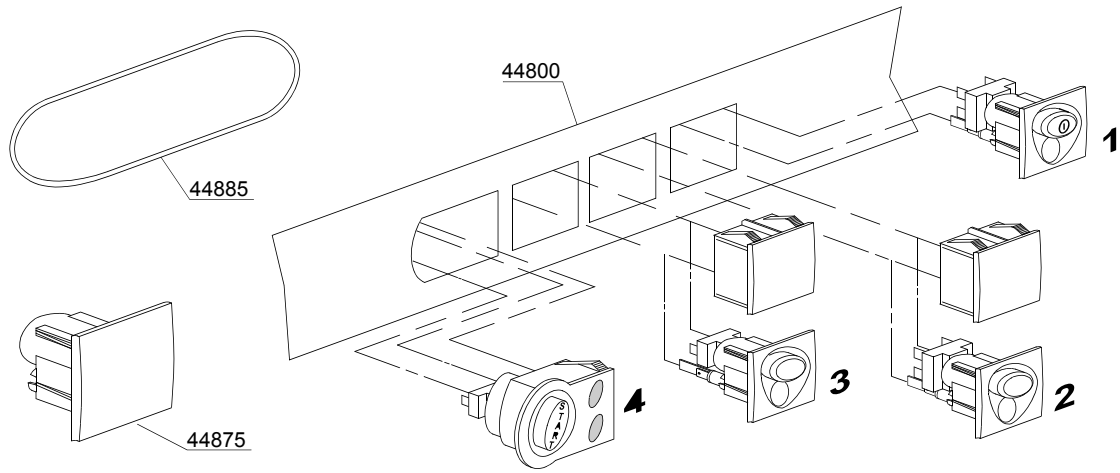
## Spare parts

ID	P-code	SN from	SN to	Mod.	Acces.	Volt	Description
<b>Module: Lockup system</b>							
40100	451002		-				Door
40105	451003		-				Lower door
40110	150221		-				Right/left door rod
40115	135222		-				Hinge door seal
40120	11121		-				M4x8 screw (minimum 20 pieces)
40125	11706		-				M6 stainless steel nut (minimum 20 pieces)
40130	11721		-				M6 self-locking nut (minimum 10 pieces)
40135	11111		-				M6x16 stainless steel screw (minimum 10 pieces)
40140	11168		-				M6x12 stainless steel screw
40145	510602		-				Bush
40150	451011		-				Stainless steel handle
40155	11703		-				M4 inox Plated nut
40160	11220		-				M4x14 screw

em=ELECTROMECHANICAL SWITCHES, uw=LOWER AND UPPER WASHING, i=INSULATED MODEL  
86U=86U

bt=BREAK TANK, bp=BOOSTER PUMP, dvgw=DVGW, cr=COLD RINSE, ws=WATER SOFTNER, dd=DETERGENT DISPENSER, dp=DRAIN PUMP

A=3/N/PE~380-400V 50-60Hz, D=3/PE~200-210V 50-60Hz, F=2/PE~220-240V 50-60Hz, G=3/N/PE~415V 50-60Hz, H=3/PE~220-230V 50-60Hz, K=3/PE~380-400V 50-60Hz, L=3/PE~415V 50-60Hz, M=3/PE~440V 60Hz, P=1/N/PE~220-230V 50-60Hz, R=2/PE~220-240V 50-60Hz, U=1/N/PE~240V 50-60Hz, V=3/PE~240V 50-60Hz, W=1/N/PE~100-110V 50-60Hz



03\_055ae

## Spare parts

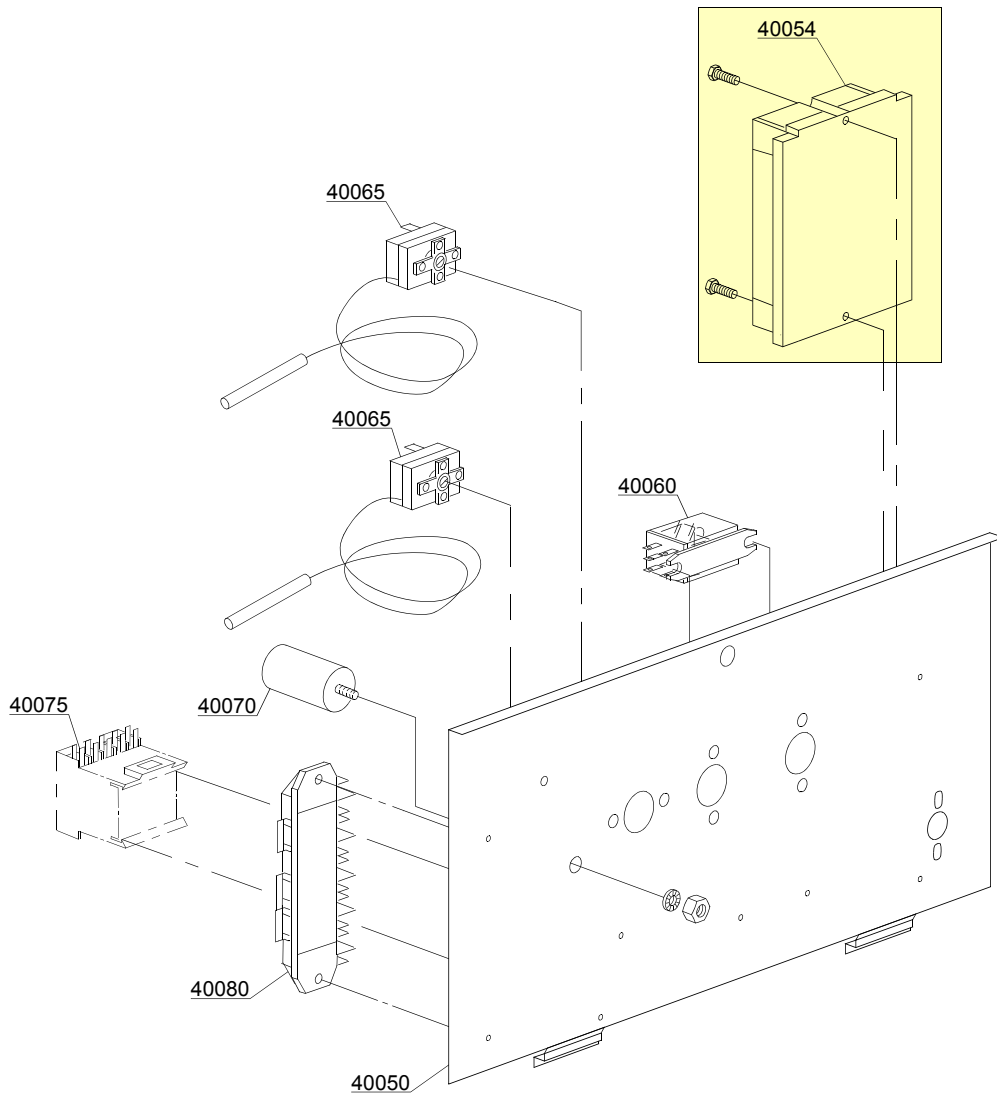
ID	P-code	SN from	SN to	Mod.	Acces.	Volt	Description
<b>Module:Control panel and switches</b>							
44800	451008		-	em			Control panel
44805	89347		-	em			Start push button
44810	89340		-	em			ON-OFF push button
44815	89343		-	em	dp		Drain pump push button
44820	89345		-	em	ws		Regeneration push button
44825	89344		-	em	cr		Hot/cold push button
44830	89342		-	em			Time selector switch push button
44835	15813		-	em			16A unipolar switch
44840	15812		-	em			16A switch
44845	15800		-	em			16A bipolar switch
44860	89301		-	em			Start push button support
44865	89304		-	em			Push button support
44870	89302		-	em	dp,ws,cr		Push button support
44875	89303		-	em			Closed support
44880	15826		-	em			Pilot light 220V
44885	89333		-	em			OR O-ring (minimum 3 pieces)

em=ELECTROMECHANICAL SWITCHES, uw=LOWER AND UPPER WASHING, i=INSULATED MODEL  
86U=86U

bt=BREAK TANK, bp=BOOSTER PUMP, dvgw=DVGW, cr=COLD RINSE, ws=WATER SOFTNER, dd=DETERGENT DISPENSER, dp=DRAIN PUMP

A=3/N/PE~380-400V 50-60Hz, D=3/PE~200-210V 50-60Hz, F=2/PE~220-240V 50-60Hz, G=3/N/PE~415V 50-60Hz, H=3/PE~220-230V 50-60Hz, K=3/PE~380-400V 50-60Hz, L=3/PE~415V 50-60Hz, M=3/PE~440V 60Hz, P=1/N/PE~220-230V 50-60Hz, R=2/PE~220-240V 50-60Hz, U=1/N/PE~240V 50-60Hz, V=3/PE~240V 50-60Hz, W=1/N/PE~100-110V 50-60Hz

04\_026be



## Spare parts

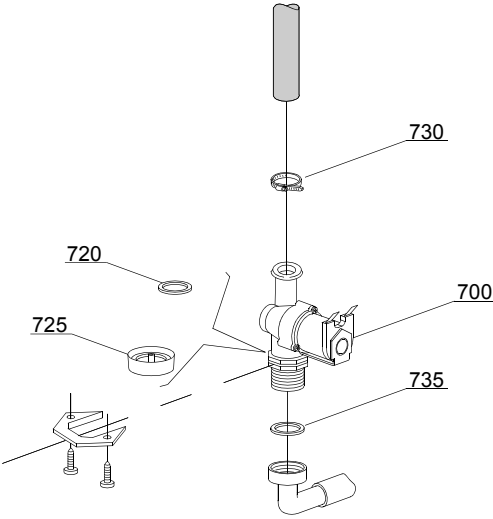
ID	P-code	SN from	SN to	Mod.	Acces.	Volt	Description
<b>Module:Electric control components</b>							
40050	510008		-				Electric component panel
40054	50553		-		ws,dp		3 times electronic timer with regeneration+PS+TS
40060	560301		-				16A bipolar relay in deviation
40065	10707/1		-				0-90°C thermostat
40070	15149		-				Low noise filter
40075	15086		-				Contactora 230V 50/60Hz 4C
40080	500550		-				3 poles terminal board
40080	500551		-				6 poles terminal board

em=ELECTROMECHANICAL SWITCHES, uw=LOWER AND UPPER WASHING, i=INSULATED MODEL

86U=86U

bt=BREAK TANK, bp=BOOSTER PUMP, dvgw=DVGW, cr=COLD RINSE, ws=WATER SOFTNER, dd=DETERGENT DISPENSER, dp=DRAIN PUMP

A=3/N/PE~380-400V 50-60Hz, D=3/PE~200-210V 50-60Hz, F=2/PE~220-240V 50-60Hz, G=3/N/PE~415V 50-60Hz, H=3/PE~220-230V 50-60Hz, K=3/PE~380-400V 50-60Hz, L=3/PE~415V 50-60Hz, M=3/PE~440V 60Hz, P=1/N/PE~220-230V 50-60Hz, R=2/PE~220-240V 50-60Hz, U=1/N/PE~240V 50-60Hz, V=3/PE~240V 50-60Hz, W=1/N/PE~100-110V 50-60Hz



05\_002\_e



## Spare parts

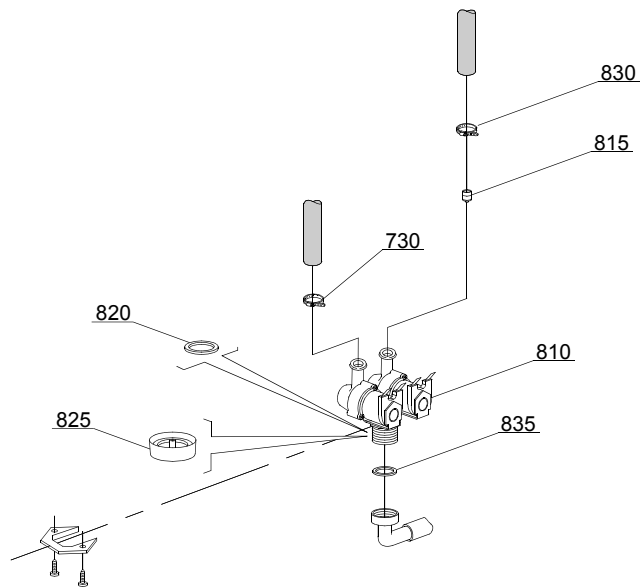
ID	P-code	SN from	SN to	Mod.	Acces.	Volt	Description
<b>Module:Solenoid valve group</b>							
700	10703		-	i,em			Single solenoid valve - 230Vac
720	N.C.		-	i,em			Pression reducing valve
730	11807		-	i,em			12/22 clamp (minimum 3 pieces)
735	13307		-	i,em			3/4 gasket

em=ELECTROMECHANICAL SWITCHES, uw=LOWER AND UPPER WASHING, i=INSULATED MODEL

86U=86U

bt=BREAK TANK, bp=BOOSTER PUMP, dvgw=DVGW, cr=COLD RINSE, ws=WATER SOFTNER, dd=DETERGENT DISPENSER, dp=DRAIN PUMP

A=3/N/PE~380-400V 50-60Hz, D=3/PE~200-210V 50-60Hz, F=2/PE~220-240V 50-60Hz, G=3/N/PE~415V 50-60Hz, H=3/PE~220-230V 50-60Hz, K=3/PE~380-400V 50-60Hz, L=3/PE~415V 50-60Hz, M=3/PE~440V 60Hz, P=1/N/PE~220-230V 50-60Hz, R=2/PE~220-240V 50-60Hz, U=1/N/PE~240V 50-60Hz, V=3/PE~240V 50-60Hz, W=1/N/PE~100-110V 50-60Hz



05\_003\_€

## Spare parts

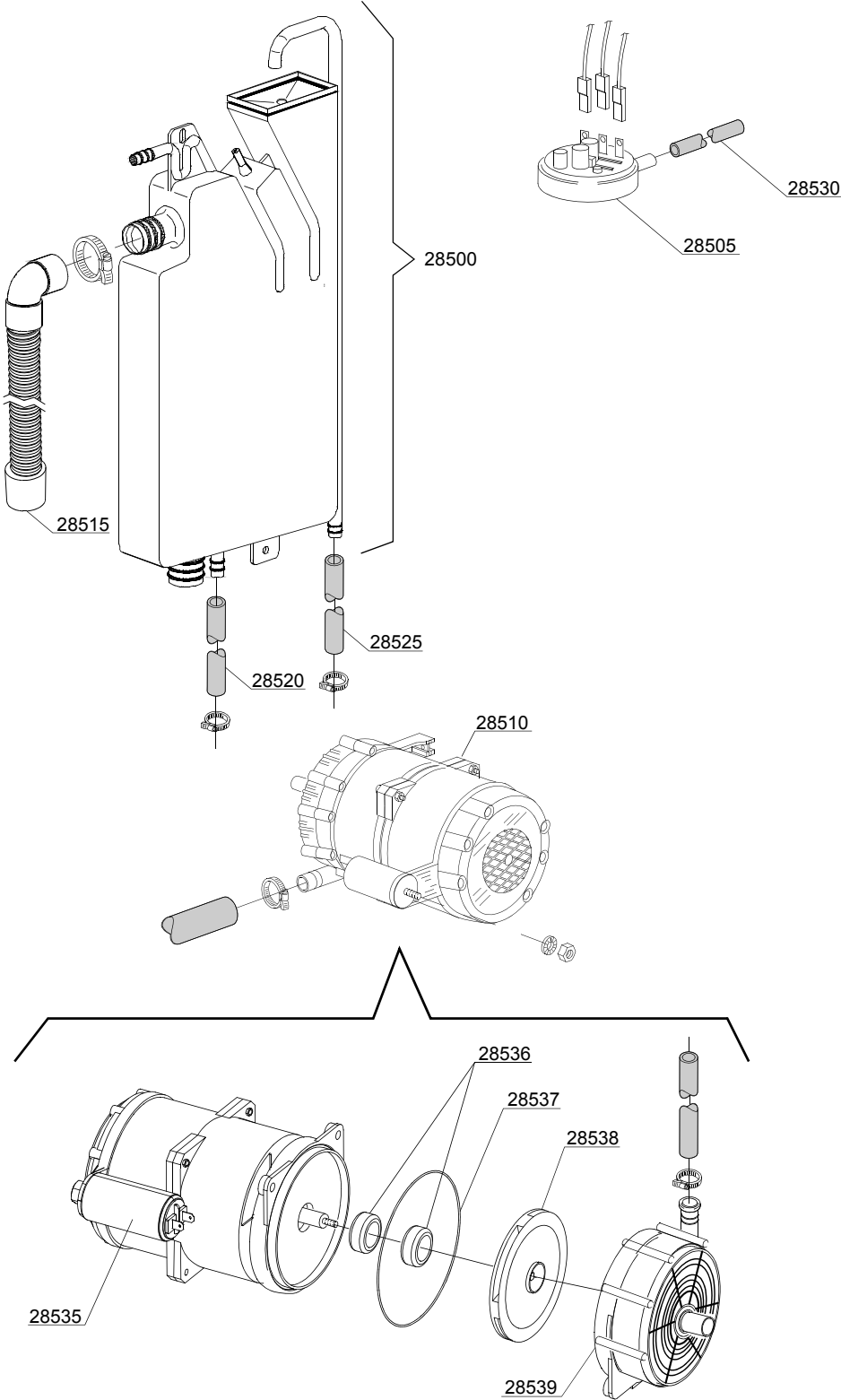
ID	P-code	SN from	SN to	Mod.	Acces.	Volt	Description
<b>Module:Solenoid valve group</b>							
810	15098		-	i,em	cr,ws		Double solenoid valve - Ø10 - 230Vac
815	15115		-	i,em	cr,ws		Green pression solenoid valve for regeneration (minimum 2 pieces)
820	N.C.		-	i,em	cr,ws		Pression reducing valve
830	11807		-	i,em			12/22 clamp (minimum 3 pieces)
835	13307		-	i,em			3/4 gasket

em=ELECTROMECHANICAL SWITCHES, uw=LOWER AND UPPER WASHING, i=INSULATED MODEL

86U=86U

bt=BREAK TANK, bp=BOOSTER PUMP, dvgw=DVGW, cr=COLD RINSE, ws=WATER SOFTNER, dd=DETERGENT DISPENSER, dp=DRAIN PUMP

A=3/N/PE~380-400V 50-60Hz, D=3/PE~200-210V 50-60Hz, F=2/PE~220-240V 50-60Hz, G=3/N/PE~415V 50-60Hz, H=3/PE~220-230V 50-60Hz, K=3/PE~380-400V 50-60Hz, L=3/PE~415V 50-60Hz, M=3/PE~440V 60Hz, P=1/N/PE~220-230V 50-60Hz, R=2/PE~220-240V 50-60Hz, U=1/N/PE~240V 50-60Hz, V=3/PE~240V 50-60Hz, W=1/N/PE~100-110V 50-60Hz



06\_004ae

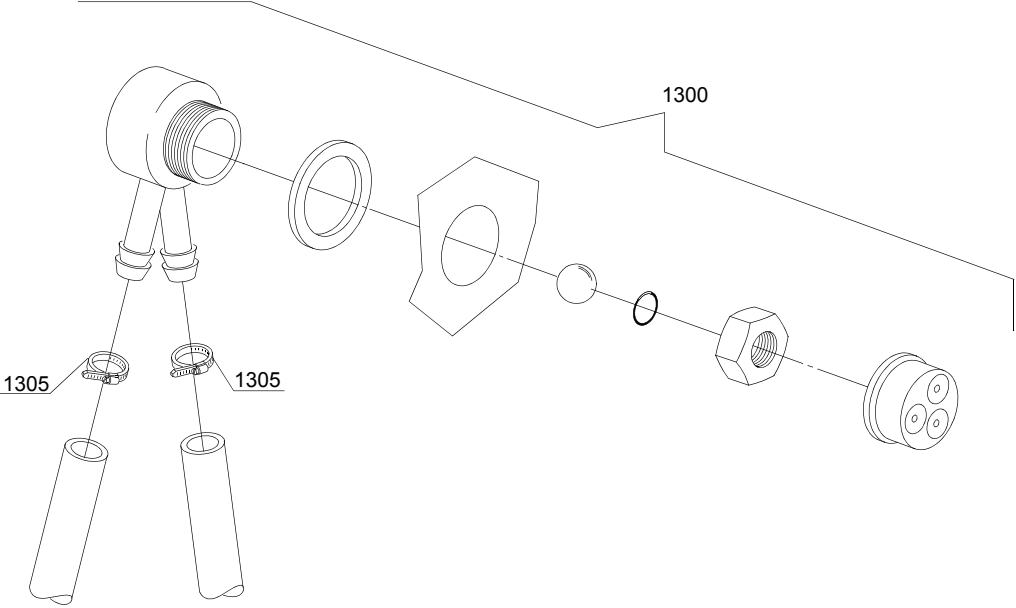
## Spare parts

ID	P-code	SN from	SN to	Mod.	Acces.	Volt	Description
<b>Module:Break Tank</b>							
28500	15735		-	i,em	bt		Break tank assembly
28505	10706/A		-	i,em	bt		47-27 pressure switch
28510	15100/D		-	i,em	bt		Booster pump 220/240V - body pumps in plastic
28515	15721		-	i,em	bt		BT long pipe L=1070
28515	15722		-	i,em	bt		BT middle pipe L=920
28515	15723		-	i,em	bt		BT small pipe L=690
28520	2907350		-	i,em	bt		12x20 EPDM rubber hose
28525	2907352		-	i,em	bt		PVC WRAS rubber hose
28530	14508		-	i,em	bt		4,5x9 EPDM rubber hose (minimum 2 mt)
28535	10702		-	i,em	bt		5 uF condenser - 450V
28536	15100/S		-	i,em	bt		Rotating seals
28537	15100/T		-	i,em	bt		OR-(O-ring) gasket EPDM
28538	15100/U		-	i,em	bt		Pump rotor
28539	15100/V		-	i,em	bt		Scroll

em=ELECTROMECHANICAL SWITCHES, uw=LOWER AND UPPER WASHING, i=INSULATED MODEL  
86U=86U

bt=BREAK TANK, bp=BOOSTER PUMP, dvgw=DVGW, cr=COLD RINSE, ws=WATER SOFTNER, dd=DETERGENT DISPENSER, dp=DRAIN PUMP

A=3/N/PE~380-400V 50-60Hz, D=3/PE~200-210V 50-60Hz, F=2/PE~220-240V 50-60Hz, G=3/N/PE~415V 50-60Hz, H=3/PE~220-230V 50-60Hz, K=3/PE~380-400V 50-60Hz, L=3/PE~415V 50-60Hz, M=3/PE~440V 60Hz, P=1/N/PE~220-230V 50-60Hz, R=2/PE~220-240V 50-60Hz, U=1/N/PE~240V 50-60Hz, V=3/PE~240V 50-60Hz, W=1/N/PE~100-110V 50-60Hz



## Spare parts

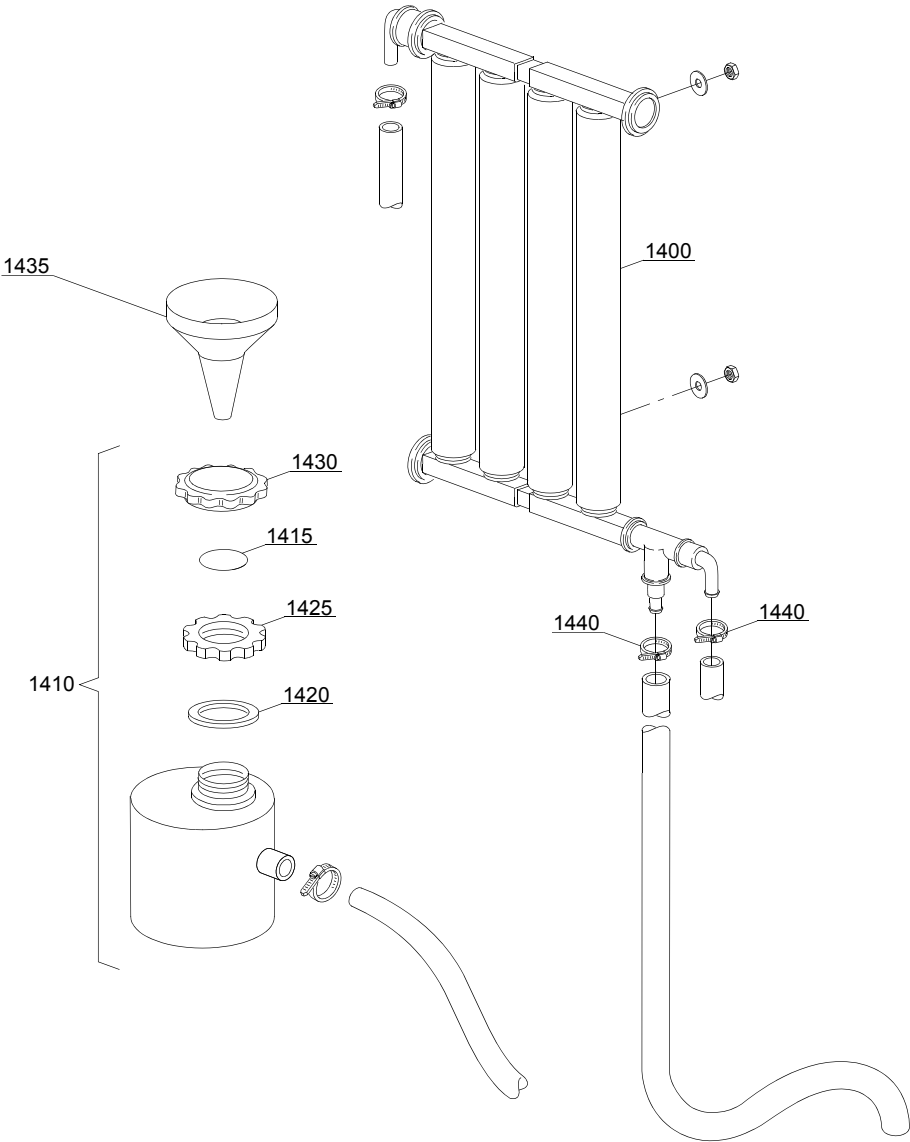
ID	P-code	SN from	SN to	Mod.	Acces.	Volt	Description
<b>Module:DVGW</b>							
1300	999900006		-	i,em	dvgw		DVGW assembly
1305	11807		-	i,em	dvgw		12/22 clamp (minimum 3 pieces)

em=ELECTROMECHANICAL SWITCHES, uw=LOWER AND UPPER WASHING, i=INSULATED MODEL  
86U=86U

bt=BREAK TANK, bp=BOOSTER PUMP, dvgw=DVGW, cr=COLD RINSE, ws=WATER SOFTNER, dd=DETERGENT DISPENSER, dp=DRAIN PUMP

A=3/N/PE~380-400V 50-60Hz, D=3/PE~200-210V 50-60Hz, F=2/PE~220-240V 50-60Hz, G=3/N/PE~415V 50-60Hz, H=3/PE~220-230V 50-60Hz, K=3/PE~380-400V 50-60Hz, L=3/PE~415V 50-60Hz, M=3/PE~440V 60Hz, P=1/N/PE~220-230V 50-60Hz, R=2/PE~220-240V 50-60Hz, U=1/N/PE~240V 50-60Hz, V=3/PE~240V 50-60Hz, W=1/N/PE~100-110V 50-60Hz

09\_001\_e





## Spare parts

ID	P-code	SN from	SN to	Mod.	Acces.	Volt	Description
<b>Module: Water softner group</b>							
1400	16066		-	em	ws		4 elements water softner
1410	16065		-	em	ws		Salt container
1415	16067/A		-	em	ws		OR O-ring
1420	16067/B		-	em	ws		O-ring
1425	16067/C		-	em	ws		Ring nut
1430	16067/D		-	em	ws		Plug
1435	16082		-	em	ws		Funnel
1440	11807		-	em	ws		12/22 clamp (minimum 3 pieces)

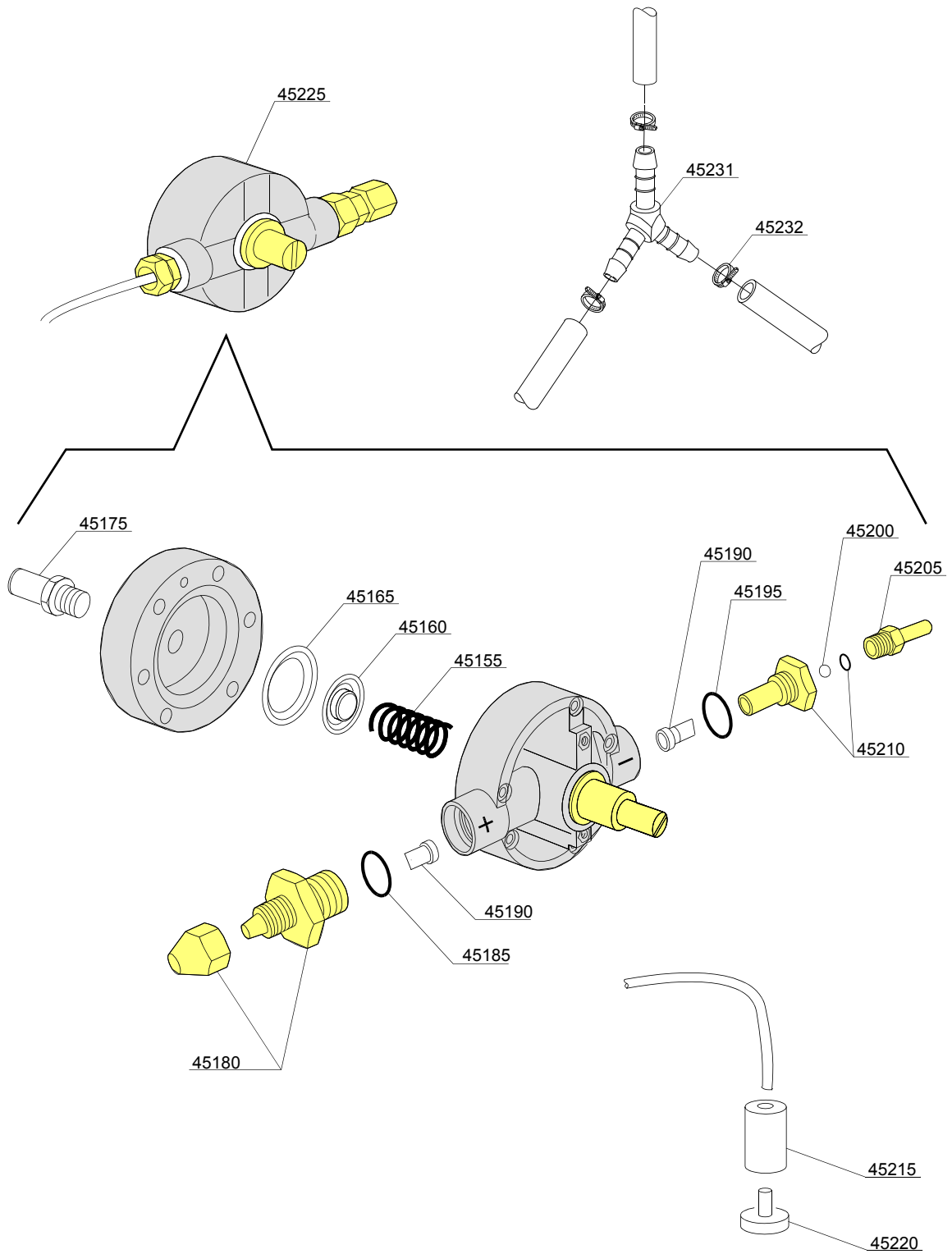
em=ELECTROMECHANICAL SWITCHES, uw=LOWER AND UPPER WASHING, i=INSULATED MODEL

86U=86U

bt=BREAK TANK, bp=BOOSTER PUMP, dvgw=DVGW, cr=COLD RINSE, ws=WATER SOFTNER, dd=DETERGENT DISPENSER, dp=DRAIN PUMP

A=3/N/PE~380-400V 50-60Hz, D=3/PE~200-210V 50-60Hz, F=2/PE~220-240V 50-60Hz, G=3/N/PE~415V 50-60Hz, H=3/PE~220-230V 50-60Hz, K=3/PE~380-400V 50-60Hz, L=3/PE~415V 50-60Hz, M=3/PE~440V 60Hz, P=1/N/PE~220-230V 50-60Hz, R=2/PE~220-240V 50-60Hz, U=1/N/PE~240V 50-60Hz, V=3/PE~240V 50-60Hz, W=1/N/PE~100-110V 50-60Hz

10\_001be



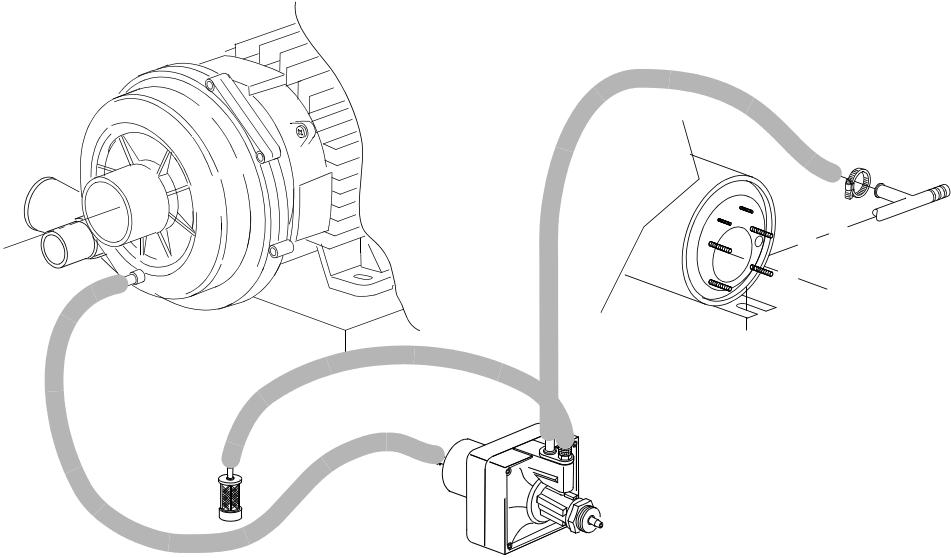
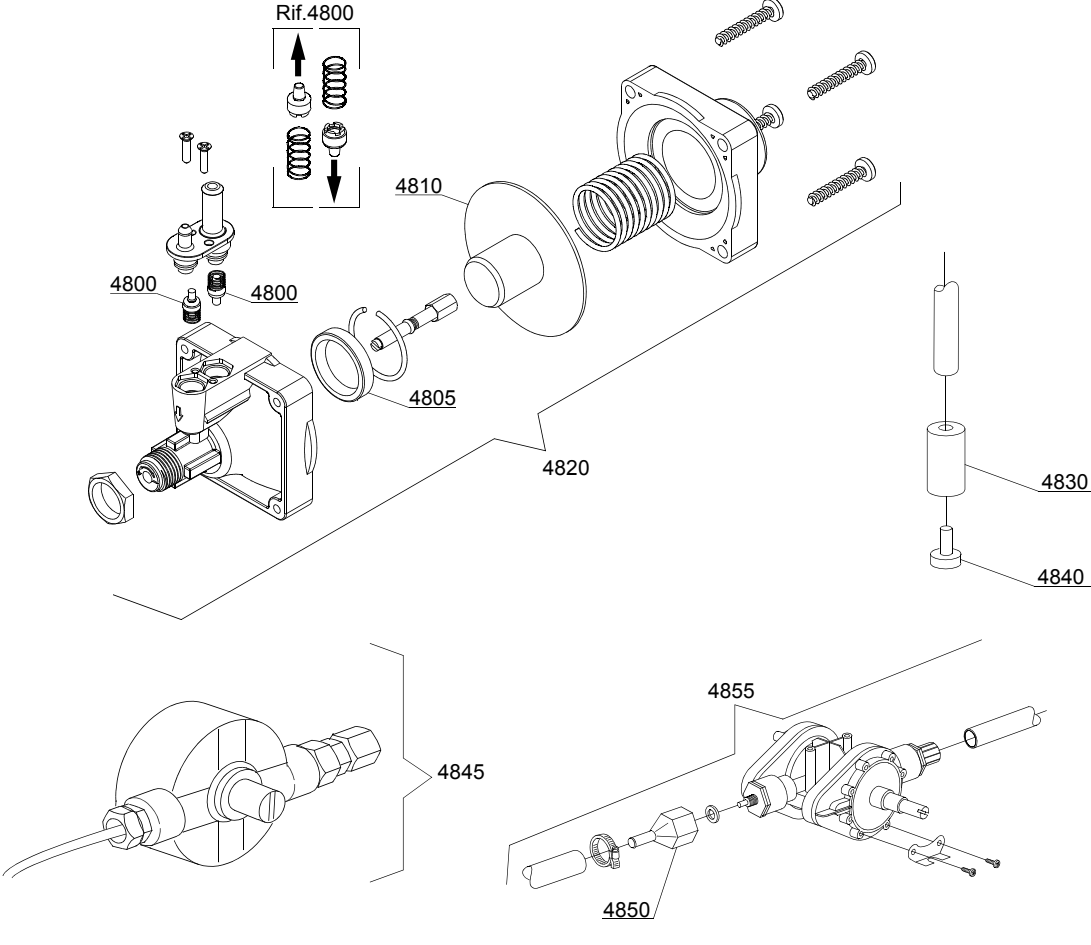
## Spare parts

ID	P-code	SN from	SN to	Mod.	Acces.	Volt	Description
<b>Module: Rinse aid dispenser group</b>							
45155	10705/M		-	i,em			Spring
45160	10705/N		-	i,em			Disc to membrane
45165	10750/O		-	i,em			Membrane
45175	12506		-	i,em			Rubber-holder Ø 10mm
45180	10705/G		-	i,em			Pipe fitting
45185	10705/C		-	i,em			OR-gasket
45190	10705/D		-	i,em			Silicone valve
45195	10705/C		-	i,em			OR-gasket
45200	10705/T		-	i,em			Sphere made of Teflon
45205	10705/R		-	i,em			Brass pipe fitting
45210	10705/E		-	i,em			OR-gasket Guide valve
45215	12525		-	i,em			Ballast
45220	15058		-	i,em			Small filter (minimum 3 pieces)
45225	10799/G		-	i,em			GERMAC rinse aid dispenser
45231	540091		-	i,em			Ø12 mm plastic 3 ways connection
45232	11807		-	i,em			Clamp 12-22 (minimum 3 pieces)

em=ELECTROMECHANICAL SWITCHES, uw=LOWER AND UPPER WASHING, i=INSULATED MODEL  
86U=86U

bt=BREAK TANK, bp=BOOSTER PUMP, dvgw=DVGW, cr=COLD RINSE, ws=WATER SOFTNER, dd=DETERGENT DISPENSER, dp=DRAIN PUMP

A=3/N/PE~380-400V 50-60Hz, D=3/PE~200-210V 50-60Hz, F=2/PE~220-240V 50-60Hz, G=3/N/PE~415V 50-60Hz, H=3/PE~220-230V 50-60Hz, K=3/PE~380-400V 50-60Hz, L=3/PE~415V 50-60Hz, M=3/PE~440V 60Hz, P=1/N/PE~220-230V 50-60Hz, R=2/PE~220-240V 50-60Hz, U=1/N/PE~240V 50-60Hz, V=3/PE~240V 50-60Hz, W=1/N/PE~100-110V 50-60Hz



## Spare parts

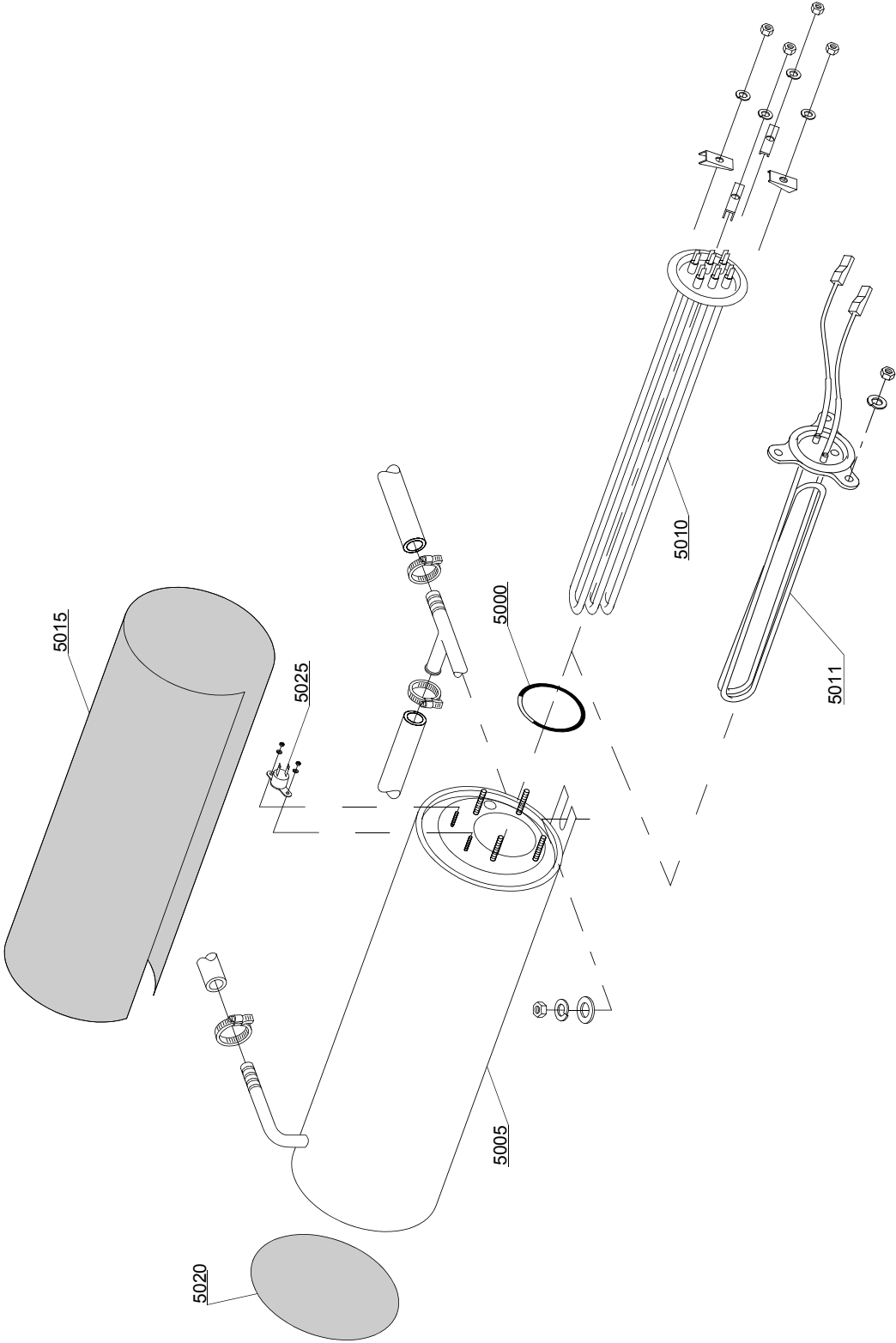
ID	P-code	SN from	SN to	Mod.	Acces.	Volt	Description
<b>Module: Rinse aid dispenser group</b>							
4800	10805		-	em			Tecnopro non return valve
4805	10806		-	em			Ø22 O-ring
4810	10807		-	em			Membrane
4820	10799		-	em			TECNO PRO rinse aid dispenser
4830	12525		-	em			Ballast
4840	15058		-	em			Small filter (minimum 3 pieces)
4845	10799		-	em			GERMAC rinse aid dispenser
4850	10798/B		-	em			Brass pipe fitting
4855	10798		-	em			LANG rinse aid dispenser

em=ELECTROMECHANICAL SWITCHES, uw=LOWER AND UPPER WASHING, i=INSULATED MODEL

86U=86U

bt=BREAK TANK, bp=BOOSTER PUMP, dvgw=DVGW, cr=COLD RINSE, ws=WATER SOFTNER, dd=DETERGENT DISPENSER, dp=DRAIN PUMP

A=3/N/PE~380-400V 50-60Hz, D=3/PE~200-210V 50-60Hz, F=2/PE~220-240V 50-60Hz, G=3/N/PE~415V 50-60Hz, H=3/PE~220-230V 50-60Hz, K=3/PE~380-400V 50-60Hz, L=3/PE~415V 50-60Hz, M=3/PE~440V 60Hz, P=1/N/PE~220-230V 50-60Hz, R=2/PE~220-240V 50-60Hz, U=1/N/PE~240V 50-60Hz, V=3/PE~240V 50-60Hz, W=1/N/PE~100-110V 50-60Hz



11\_002ce

## Spare parts

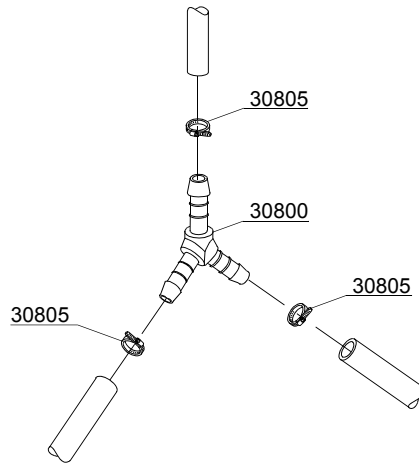
ID	P-code	SN from	SN to	Mod.	Acces.	Volt	Description
<b>Module:Boiler group</b>							
5000	13005		-	i,em			OR 151 NBR O-ring (minimum 5 pieces)
5005	150905		-	i,em			Boiler
5010	15089		-	i,em			4,5/4,9KW 230/240V 3 heating element
5010	15046		-	i,em			3/3,27KW 230/240V 3 heating element
5011	15089/D		-	i,em			2,8/3,0 KW 230/240V heating element
5015	15066		-	i,em			Insulation boiler
5020	15205		-	i,em			Ø160 End piece (minimum 2 pieces)
5025	15550		-	i,em			Safety thermostat

em=ELECTROMECHANICAL SWITCHES, uw=LOWER AND UPPER WASHING, i=INSULATED MODEL

86U=86U

bt=BREAK TANK, bp=BOOSTER PUMP, dvgw=DVGW, cr=COLD RINSE, ws=WATER SOFTNER, dd=DETERGENT DISPENSER, dp=DRAIN PUMP

A=3/N/PE~380-400V 50-60Hz, D=3/PE~200-210V 50-60Hz, F=2/PE~220-240V 50-60Hz, G=3/N/PE~415V 50-60Hz, H=3/PE~220-230V 50-60Hz, K=3/PE~380-400V 50-60Hz, L=3/PE~415V 50-60Hz, M=3/PE~440V 60Hz, P=1/N/PE~220-230V 50-60Hz, R=2/PE~220-240V 50-60Hz, U=1/N/PE~240V 50-60Hz, V=3/PE~240V 50-60Hz, W=1/N/PE~100-110V 50-60Hz



12\_003ae



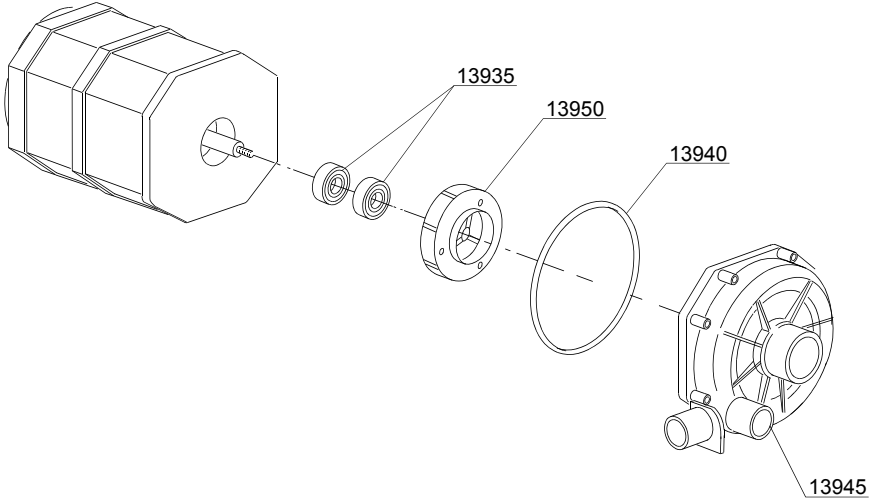
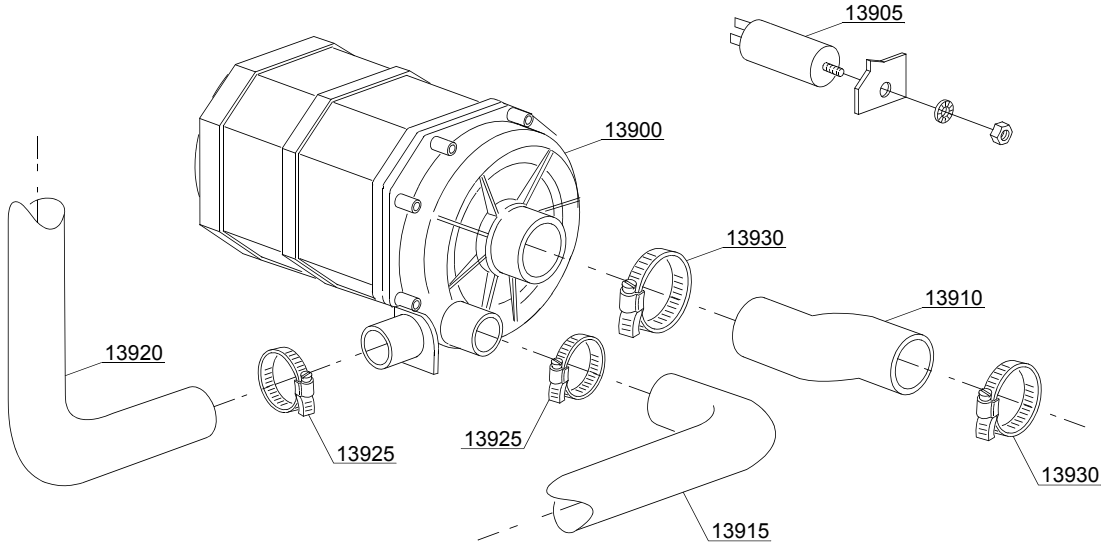
## Spare parts

ID	P-code	SN from	SN to	Mod.	Acces.	Volt	Description
<b>Module:3 ways connection</b>							
30800	540091		-	i,em			Ø12 mm plastic 3 ways connection
30805	11807		-	i,em			12/22 clamp (minimum 3 pieces)

em=ELECTROMECHANICAL SWITCHES, uw=LOWER AND UPPER WASHING, i=INSULATED MODEL  
86U=86U

bt=BREAK TANK, bp=BOOSTER PUMP, dvgw=DVGW, cr=COLD RINSE, ws=WATER SOFTNER, dd=DETERGENT DISPENSER, dp=DRAIN PUMP

A=3/N/PE~380-400V 50-60Hz, D=3/PE~200-210V 50-60Hz, F=2/PE~220-240V 50-60Hz, G=3/N/PE~415V 50-60Hz, H=3/PE~220-230V 50-60Hz, K=3/PE~380-400V 50-60Hz, L=3/PE~415V 50-60Hz, M=3/PE~440V 60Hz, P=1/N/PE~220-230V 50-60Hz, R=2/PE~220-240V 50-60Hz, U=1/N/PE~240V 50-60Hz, V=3/PE~240V 50-60Hz, W=1/N/PE~100-110V 50-60Hz



13\_110\_e

## Spare parts

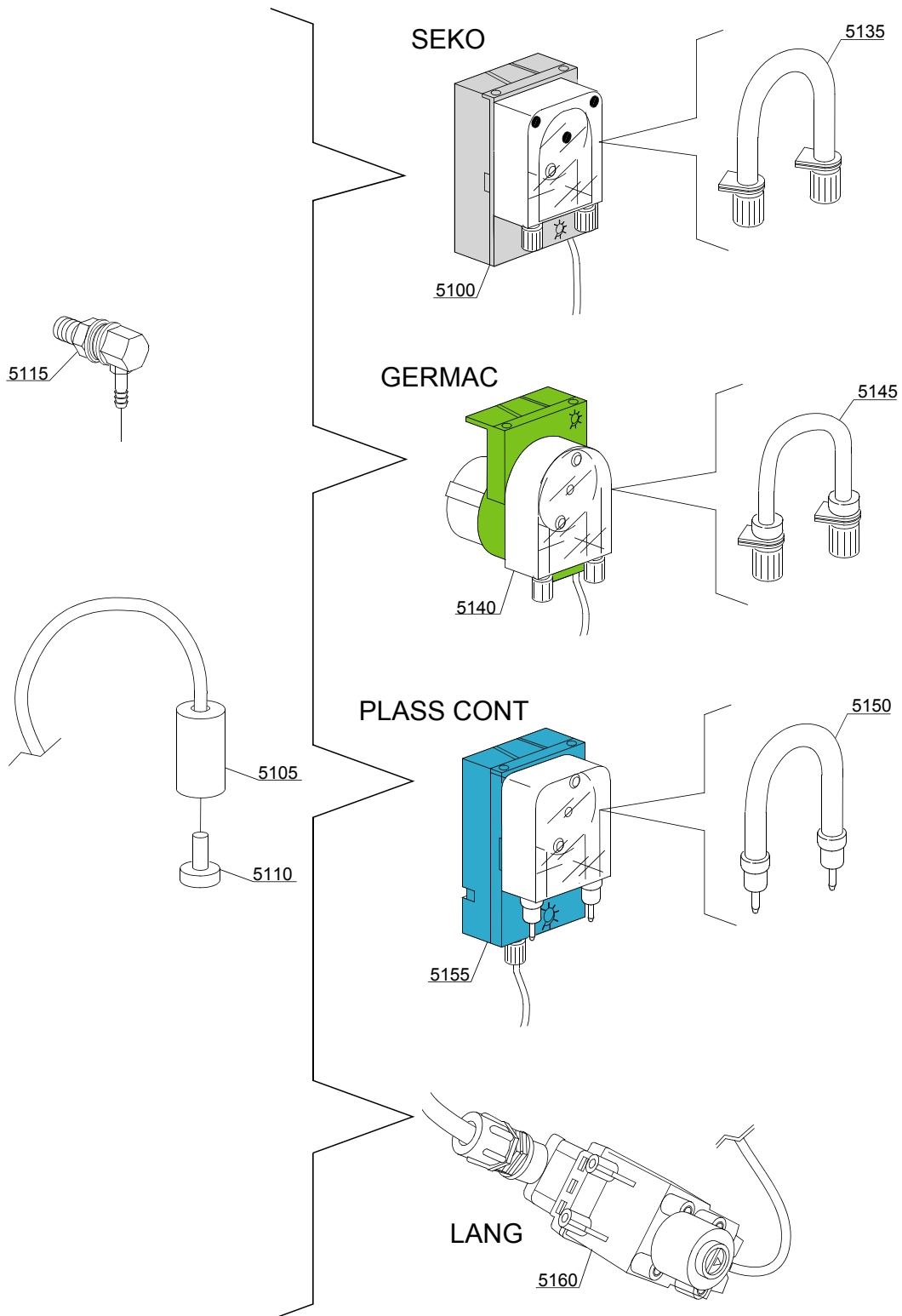
ID	P-code	SN from	SN to	Mod.	Acces.	Volt	Description
<b>Module: Wash pump</b>							
13900	150914		-	uw			0,70Hp wash pump - 230Vac 50Hz
13900	150915		-	uw			0,70Hp wash pump - 230Vac 60Hz
13905	15081		-	uw			12,5 uF condenser
13910	25032/A		-	uw			Suction pipe coupling
13915	150049		-	uw			Lower wash pipe coupling
13920	150048/A		-	uw			Wash ramp
13925	11806		-	uw			25/40 clamp (minimum 2 pieces)
13930	11809		-	uw			30/45 clamp (minimum 2 pieces)
13935	15080		-	uw			Rotating seals
13940	7130		-	uw			OR pump O-ring (minimum 2 pieces)
13945	16182		-	uw			Scroll
13950	15079/F		-	uw			Pump rotor

em=ELECTROMECHANICAL SWITCHES, uw=LOWER AND UPPER WASHING, i=INSULATED MODEL

86U=86U

bt=BREAK TANK, bp=BOOSTER PUMP, dvgw=DVGW, cr=COLD RINSE, ws=WATER SOFTNER, dd=DETERGENT DISPENSER, dp=DRAIN PUMP

A=3/N/PE~380-400V 50-60Hz, D=3/PE~200-210V 50-60Hz, F=2/PE~220-240V 50-60Hz, G=3/N/PE~415V 50-60Hz, H=3/PE~220-230V 50-60Hz, K=3/PE~380-400V 50-60Hz, L=3/PE~415V 50-60Hz, M=3/PE~440V 60Hz, P=1/N/PE~220-230V 50-60Hz, R=2/PE~220-240V 50-60Hz, U=1/N/PE~240V 50-60Hz, V=3/PE~240V 50-60Hz, W=1/N/PE~100-110V 50-60Hz



14\_004\_e

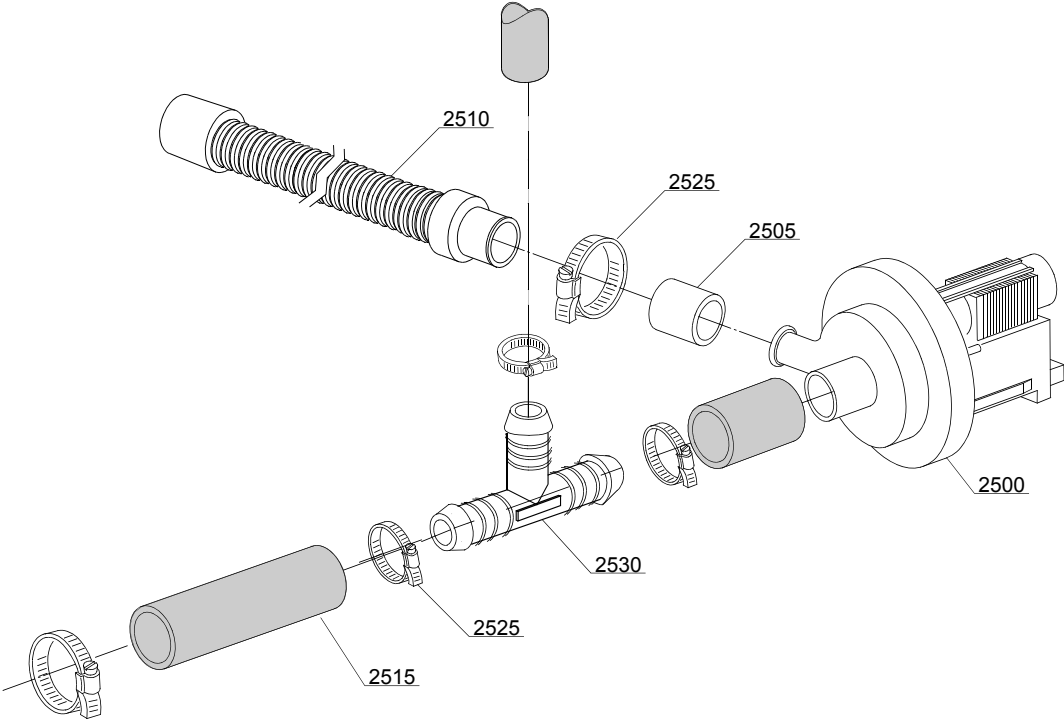
## Spare parts

ID	P-code	SN from	SN to	Mod.	Acces.	Volt	Description
<b>Module:Dosing detergent group</b>							
5100	15985		-	i,em	dd		Seko detergent pump
5105	12525		-	i,em	dd		Ballast
5110	15058		-	i,em	dd		Small filter (minimum 3 pieces)
5115	15123		-	i,em	dd		Compleat stainless steel injector
5135	15185		-	i,em	dd		Seko thermoplastic pipe
5140	15985		-	i,em	dd		Germac detergent pump
5145	15108/E		-	i,em	dd		Germac thermoplastic pipe
5150	15985/A			i,em	dd		Plas Cont thermoplastic pipe
5155	15985			i,em	dd		Plas Cont detergent pump
5160	15108/L			i,em	dd		LANG detergent pump

em=ELECTROMECHANICAL SWITCHES, uw=LOWER AND UPPER WASHING, i=INSULATED MODEL  
86U=86U

bt=BREAK TANK, bp=BOOSTER PUMP, dvgw=DVGW, cr=COLD RINSE, ws=WATER SOFTNER, dd=DETERGENT DISPENSER, dp=DRAIN PUMP

A=3/N/PE~380-400V 50-60Hz, D=3/PE~200-210V 50-60Hz, F=2/PE~220-240V 50-60Hz, G=3/N/PE~415V 50-60Hz, H=3/PE~220-230V 50-60Hz, K=3/PE~380-400V 50-60Hz, L=3/PE~415V 50-60Hz, M=3/PE~440V 60Hz, P=1/N/PE~220-230V 50-60Hz, R=2/PE~220-240V 50-60Hz, U=1/N/PE~240V 50-60Hz, V=3/PE~240V 50-60Hz, W=1/N/PE~100-110V 50-60Hz



15\_004be

## Spare parts

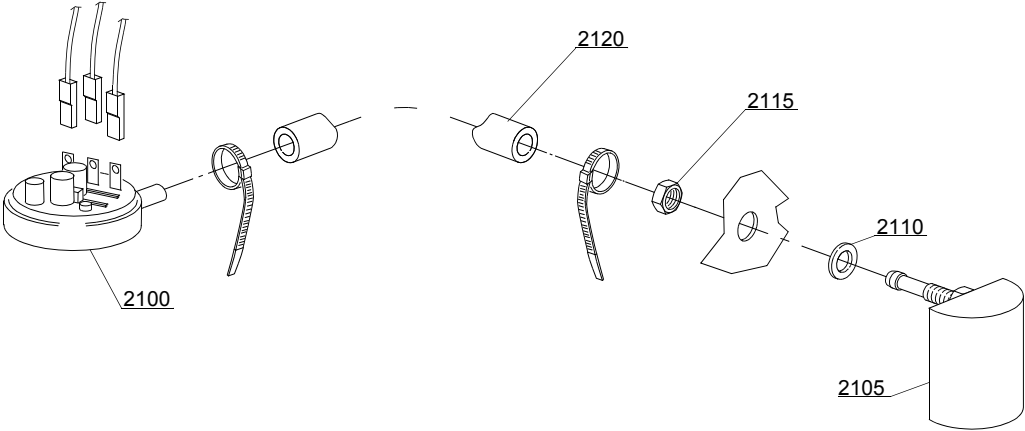
ID	P-code	SN from	SN to	Mod.	Acces.	Volt	Description
<b>Module:Drain pump group</b>							
2500	15101		-	em,i	dp		Drain pump 220/240V 50Hz
2505	15101/D		-	em,i	dp		Pipe fitting (minimum 3 pieces)
2510	10727		-	em,i	dp		Drain pipe
2515	18044		-	em,i	dp		Ø28 top wash pipe
2525	11806		-	em,i	dp		25/40 clamp (minimum 2 pieces)
2530	540098		-	em,i	dp,bt		D25 3 ways connection for BREAK TANK(bt)

em=ELECTROMECHANICAL SWITCHES, uw=LOWER AND UPPER WASHING, i=INSULATED MODEL

86U=86U

bt=BREAK TANK, bp=BOOSTER PUMP, dvgw=DVGW, cr=COLD RINSE, ws=WATER SOFTNER, dd=DETERGENT DISPENSER, dp=DRAIN PUMP

A=3/N/PE~380-400V 50-60Hz, D=3/PE~200-210V 50-60Hz, F=2/PE~220-240V 50-60Hz, G=3/N/PE~415V 50-60Hz, H=3/PE~220-230V 50-60Hz, K=3/PE~380-400V 50-60Hz, L=3/PE~415V 50-60Hz, M=3/PE~440V 60Hz, P=1/N/PE~220-230V 50-60Hz, R=2/PE~220-240V 50-60Hz, U=1/N/PE~240V 50-60Hz, V=3/PE~240V 50-60Hz, W=1/N/PE~100-110V 50-60Hz



16\_001\_e



## Spare parts

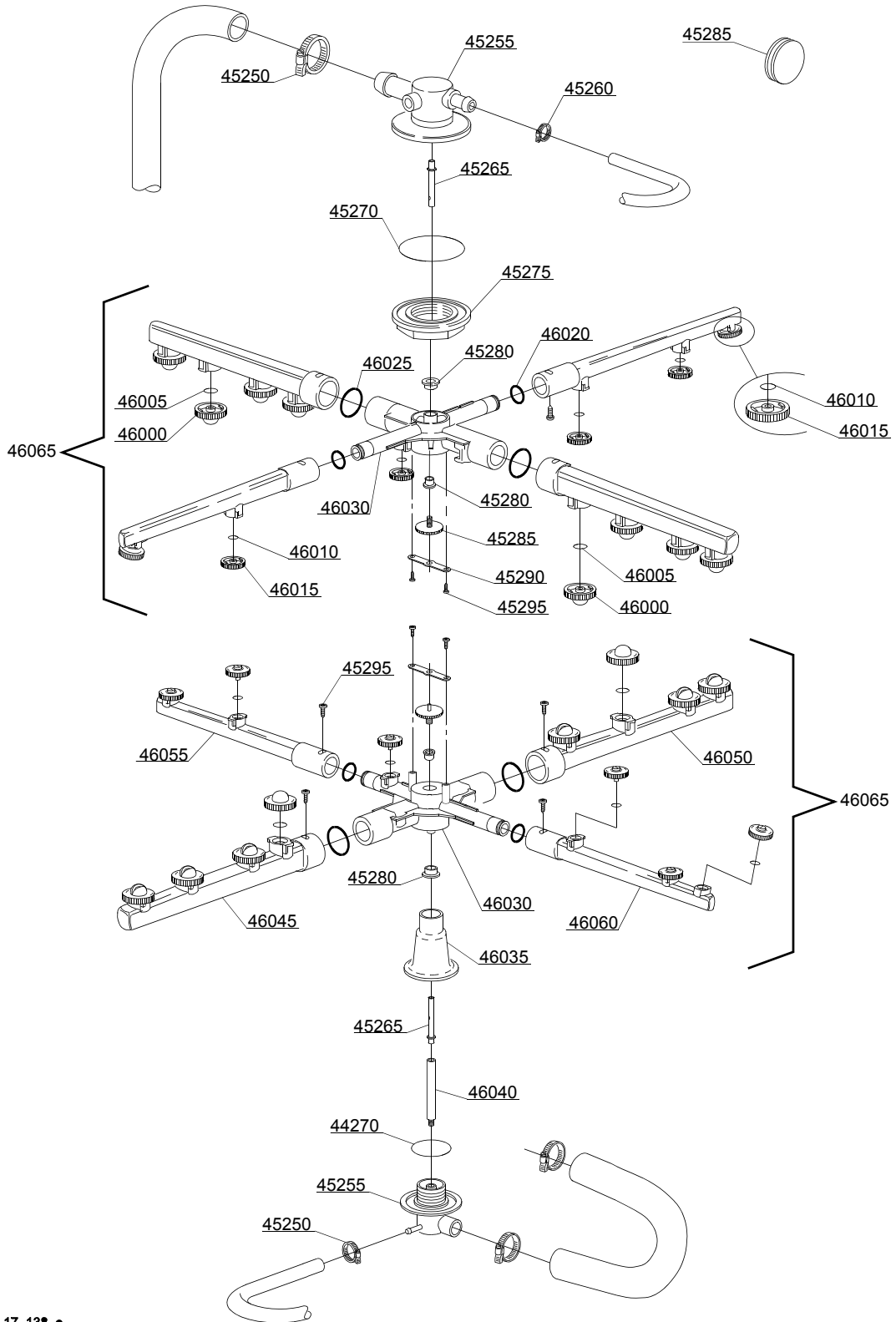
ID	P-code	SN from	SN to	Mod.	Acces.	Volt	Description
<b>Module:Pressure switch group with air trap</b>							
2100	10706/A		-	i,em			47-27 pressure switch
2105	135911/B	4020618	-	em,i			Grey air trap assembly
2110	13301		-	i,em			O-ring (minimum 10 pieces) - D14x8x1,5
2115	11702		-	i,em			M8 stainless steel nut (minimum 10 pieces)
2120	14508		-	i,em			4,5X9 EPDM rubber hose (minimum 2mt)

em=ELECTROMECHANICAL SWITCHES, uw=LOWER AND UPPER WASHING, i=INSULATED MODEL

86U=86U

bt=BREAK TANK, bp=BOOSTER PUMP, dvgw=DVGW, cr=COLD RINSE, ws=WATER SOFTNER, dd=DETERGENT DISPENSER, dp=DRAIN PUMP

A=3/N/PE~380-400V 50-60Hz, D=3/PE~200-210V 50-60Hz, F=2/PE~220-240V 50-60Hz, G=3/N/PE~415V 50-60Hz, H=3/PE~220-230V 50-60Hz, K=3/PE~380-400V 50-60Hz, L=3/PE~415V 50-60Hz, M=3/PE~440V 60Hz, P=1/N/PE~220-230V 50-60Hz, R=2/PE~220-240V 50-60Hz, U=1/N/PE~240V 50-60Hz, V=3/PE~240V 50-60Hz, W=1/N/PE~100-110V 50-60Hz



17\_13\_e

## Spare parts

ID	P-code	SN from	SN to	Mod.	Acces.	Volt	Description
<b>Module:Turret group with rotating arms</b>							
45250	11806		-	em,uw,i			25/40 clamp (minimum 2 pieces)
45255	500612		-	em,uw,i			Top/lower turret
45260	11807		-	em,uw,i			12/22 clamp (minimum 3 pieces)
45265	15300		-	em,uw,i			Ø10x51 lower/top rinse axle
45270	13015		-	em,uw,i			6225 OR 160 NBR O-ring (minimum 5 pieces)
45275	500623		-	em,uw,i			Ring nut for fixing turret
45280	13319		-	em,uw,i			Sliding washer (minimum 4 pieces)
45285	11101/I		-	em,uw,i			Stainless steel group fixing screw
45290	10260		-	em,uw,i			Blocking ring nut rotor plaque (minimum 10 pieces)
45295	11004		-	em,uw,i			4x10 TCB Ø8 spax toothed screw
46000	10369		-	em,uw,i			Opened wash nozzle (minimum 2 pieces)
46005	13009		-	em,uw,i			OR 2050 NBR O-ring (minimum 10 pieces)
46010	13002		-	em,uw,i			OR R6 NBR O-ring (minimum 10 pieces)
46015	10371		-	em,uw,i			Rinse nozzle
46020	13002		-	em,uw,i			OR R6 NBR O-ring (minimum 10 pieces)
46025	13029		-	em,uw,i			OR 2100 NBR O-ring (minimum 10 pieces)
46030	500755		-	em,uw,i			Under / upper turret wash rotor
46035	550225		-	em,uw,i			Lower pipe coupling
46040	550226		-	em,uw,i			Lower rinse axle
46045	500754		-	em,uw,i			Left wash pipe
46050	500753		-	em,uw,i			Right wash pipe
46055	500751		-	em,uw,i			Right rinse arm
46060	500752		-	em,uw,i			Left rinse arm
46065	500750		-	em,uw,i			Grey wash/rinse lower/upper distributor

em=ELECTROMECHANICAL SWITCHES, uw=LOWER AND UPPER WASHING, i=INSULATED MODEL

86U=86U

bt=BREAK TANK, bp=BOOSTER PUMP, dvgw=DVGW, cr=COLD RINSE, ws=WATER SOFTNER, dd=DETERGENT DISPENSER, dp=DRAIN PUMP

A=3/N/PE~380-400V 50-60Hz, D=3/PE~200-210V 50-60Hz, F=2/PE~220-240V 50-60Hz, G=3/N/PE~415V 50-60Hz, H=3/PE~220-230V 50-60Hz, K=3/PE~380-400V 50-60Hz, L=3/PE~415V 50-60Hz, M=3/PE~440V 60Hz, P=1/N/PE~220-230V 50-60Hz, R=2/PE~220-240V 50-60Hz, U=1/N/PE~240V 50-60Hz, V=3/PE~240V 50-60Hz, W=1/N/PE~100-110V 50-60Hz