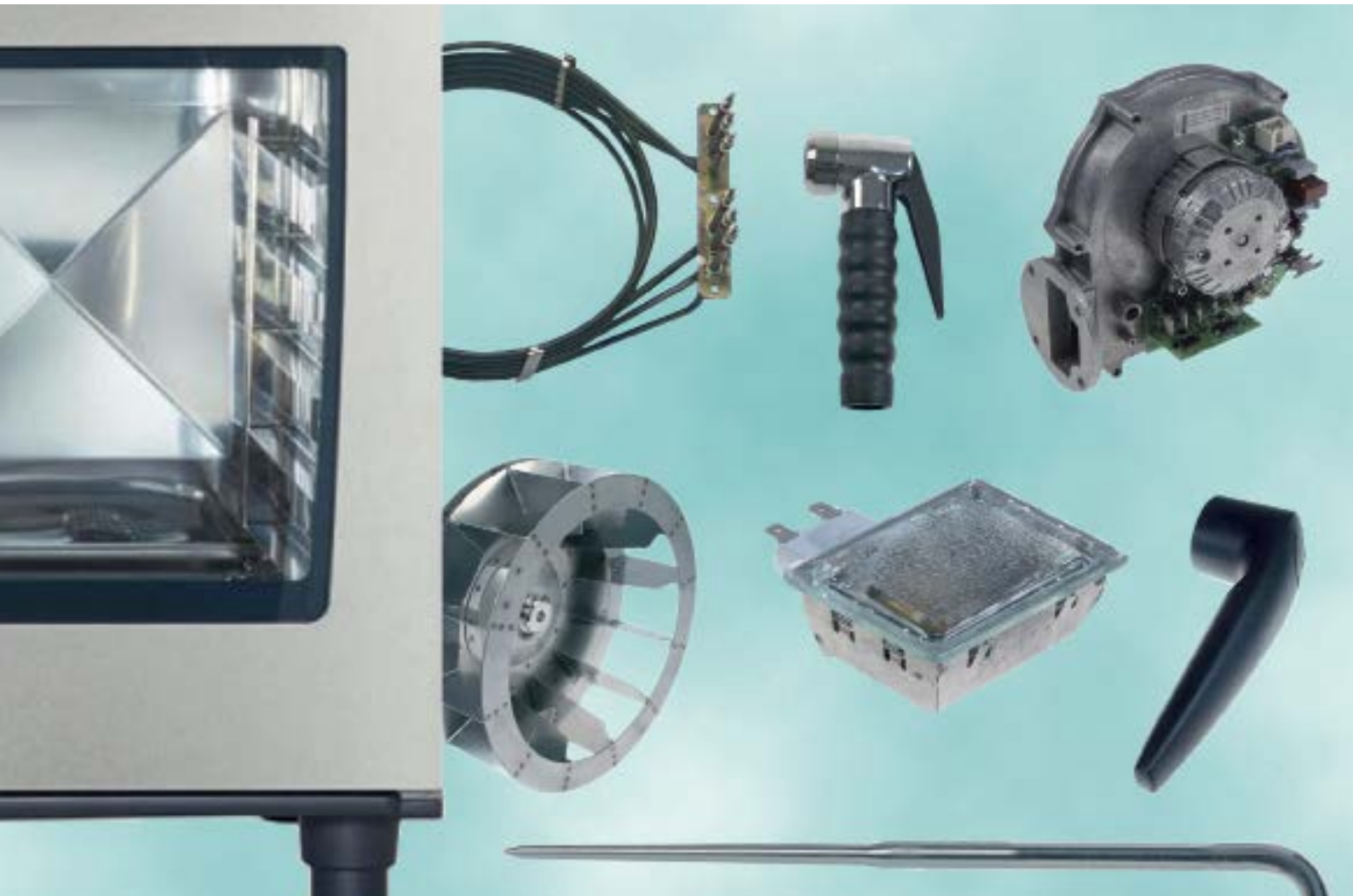




Spare Parts for Combi Ovens



Spare parts suitable for

GARBIN

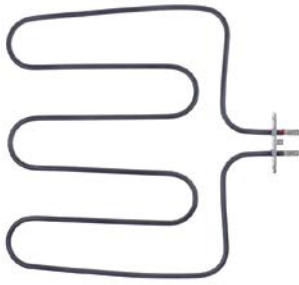
2017

Find the complete and up-to-date range of products in our GEV Webshop



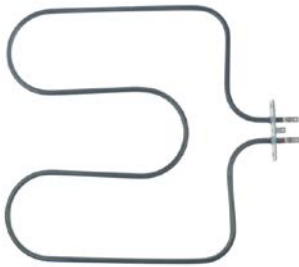
heating elements

heating elements for ovens



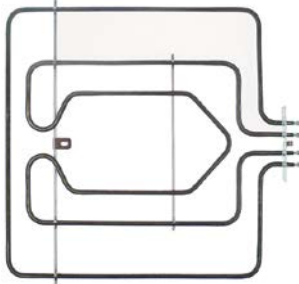
1

| | | | |
|--------------------|---|-----------------|--------|
| GEV No. | 418792 | Ref. No. | RES155 |
| description | heating element 1400W 230V heating circuits 1 L 315mm W 320mm L1 55mm L2 260mm W1 150mm W2 30mm flange length 70mm flange width 22mm hole distance 56mm hole \varnothing 4.2mm tube \varnothing 6.3mm connection male faston 6.3mm rectangular flange | | |



1

| | | | |
|--------------------|--|-----------------|--|
| GEV No. | 420276 | Ref. No. | RES009 RES041 RES043 RESINF RESINF838443MX23 |
| description | heating element 1500W 230V heating circuits 1 L 313mm W 300mm L1 48mm L2 305mm W1 135mm W2 30mm flange length 70mm flange width 22mm hole distance 56mm hole \varnothing 5mm tube \varnothing 6.5mm connection male faston 6.3mm windings 2 oven heating element | | |



1

| | | | |
|--------------------|--|-----------------|--|
| GEV No. | 420275 | Ref. No. | RES008 RES039 RES054 RESSUP2343MX |
| description | heating element 2400W 230V heating circuits 2 L 335mm W 350mm L1 30mm L2 305mm W1 145mm W2 60mm flange length 100mm flange width 22mm hole distance 86mm hole \varnothing 5mm tube \varnothing 6.5mm connection male faston 6.3mm oven heating element | | |

heating elements for convection





1

| | | | |
|--------------------|--|-----------------|--------|
| GEV No. | 420534 | Ref. No. | RES015 |
| description | heating element 2000W 240V heating circuits 2 ID \varnothing 220mm ED \varnothing 233mm L 270mm H 44mm L1 16mm W1 58mm H1 14mm H2 30mm flange length 100mm flange width 22mm connection F6.3 tube \varnothing 6.5mm threaded | | |



1



| | | | |
|---|--|-----------------|-------------------|
| GEV No. | 415966 | Ref. No. | RES006 RES036 |
| description | heating element 2500W 230V heating circuits 1 ID \varnothing 176mm ED \varnothing 188mm L 210mm H 28mm L1 22mm W1 30mm H1 3mm H2 25mm flange length 70mm flange width 22mm hole distance 56mm connection male faston 6.3mm tube \varnothing 6.3mm convection heating element hole \varnothing 5mm rectangular flange | | |
| spare parts for | 415966 | | |
|  | GEV No. | 510368 | Ref. No. — |
| | gasket L 70mm W 23.5mm hole \varnothing 5mm hole distance 56mm FIBER thickness 2mm for heating element | | |
| accessories for | 415966 | | |
|  | GEV No. | 510368 | Ref. No. — |
| | gasket L 70mm W 23.5mm hole \varnothing 5mm hole distance 56mm FIBER thickness 2mm for heating element | | |





1


| | | | |
|--------------------|--|-----------------|---------------------|
| GEV No. | 420535 | Ref. No. | RES029 RES029-UL |
| description | heating element 2500W 240V heating circuits 1 ID \varnothing 185mm ED \varnothing 293mm L 245mm H 30mm L1 32mm W1 30mm H1 8mm H2 22mm flange length 70mm flange width 22mm hole distance 57mm connection F6.3 tube \varnothing 6.5mm hole \varnothing 5mm threaded | | |



| | | | |
|--|--|-----------------|----------------------------|
|  <p>1</p> | | | |
| GEV No. | 417607 | Ref. No. | RES000 RES36 RES4000 |
| description | heating element 2x2000W 230V heating circuits 2 ID ø 185mm ED ø 200mm L 240mm H 50mm L1 40mm W1 63mm H1 15mm H2 35mm flange length 100mm flange width 22mm hole distance 85mm connection male faston 6.3mm tube ø 6.4mm hot air hole ø 4.9mm | | |
| accessories for | 417607 | | |
| |  | GEV No. | 550986 |
| | | Ref. No. | — |
| description | gasket L 100mm W 22mm 7 holes graphite thickness 1mm for heating element | | |

| | | | |
|--|--|-----------------|--------|
|  <p>1</p> | | | |
| GEV No. | 420536 | Ref. No. | RES017 |
| description | heating element 3300W 230V heating circuits 1 ID ø 225mm ED ø 238mm L 270mm H 34mm L1 20mm W1 30mm H1 10mm H2 24mm flange length 70mm flange width 22mm hole distance 56mm connection F6.3 tube ø 6.25mm hole ø 5mm threaded | | |


| | | | |
|--|--|-----------------|---------------------|
|  <p>1</p> | | | |
| GEV No. | 420295 | Ref. No. | RES013 RES013-UL |
| description | heating element 3300W 240V heating circuits 1 ID ø 186mm ED ø 202mm L 250mm H 38mm L1 36mm W1 32mm H1 8mm H2 32mm flange length 70mm flange width 22mm hole distance 56mm connection male faston 6.3mm tube ø 8.5mm convection heating element hole ø 5mm flange for combi-steamer | | |

| | | | |
|--|--|-----------------|--------|
|  <p>1</p> | | | |
| GEV No. | 417606 | Ref. No. | RES026 |
| description | heating element 4500W 230V heating circuits 3 ID ø 220mm ED ø 240mm L 280mm H 50mm L1 1mm W1 96mm H1 15mm H2 35mm flange length 140mm flange width 25mm hole distance 63mm connection male faston 6.3mm connection length 41.5mm tube ø 8.4mm hot air hole ø 7mm | | |

energy regulators

EGO

1-circuit

| | | | |
|---|---|-----------------|------------------|
|  <p>1</p> | | | |
| GEV No. | 380019 | Ref. No. | REG001 REG100 |
| description | energy regulator 240V 13A single-circuit turn direction right shaft ø 6x4.6mm shaft L 23mm mounting thread M4 power release 6-100% no. 50.57071.010 | | |

thermostats

control and safety thermostats

EGO


control thermostats

55.17_series

| | | | |
|--|--|-----------------|------------------|
|  <p>1</p> | | | |
| GEV No. | 390853 | Ref. No. | TER005 TER034 |
| description | thermostat t.max. 287°C temperature range 57-287°C 1-pole 1NO 16A probe ø 3.1mm probe L 122mm capillary pipe 1100mm capillary pipe isolated 1050mm gland nut shaft ø 6x4.6mm shaft L 23.5mm shaft position right rotation 270° | | |

CAEM

control thermostats

| | | | |
|---|--|-----------------|----------------------------|
|  <p>1</p> | | | |
| GEV No. | 375999 | Ref. No. | TER001 TER007 TER290 |
| description | thermostat t.max. 280°C temperature range 50-280°C 1-pole 1NO 16A probe ø 3mm probe L 180mm capillary pipe 1450mm capillary pipe isolated 20mm gland nut M10x1 shaft ø 6x4.6mm shaft L 18mm shaft position upper rotation 270° probe material SS | | |



safety thermostats



| | | | |
|--------------------|--|-----------------|--------|
| GEV No. | 376029 | Ref. No. | TER008 |
| description | safety thermostat switch-off temp. 320°C temperature range°C 1-pole 1NC 20A probe ø 3mm probe L 165mm capillary pipe 1280mm capillary pipe isolated 1080mm gland nut shaft ømm probe SS 250V | | |



| | | | |
|--------------------|--|-----------------|--------------------------------|
| GEV No. | 375990 | Ref. No. | TER002 TER008 old TER325 |
| description | safety thermostat switch-off temp. 335°C 1-pole 16A probe ø 3mm probe L 180mm capillary pipe 1400mm capillary pipe isolatedmm gland nut M10x1 probe SS | | |

TECASA

control thermostats



| | | | |
|--------------------|---|-----------------|--------|
| GEV No. | 376028 | Ref. No. | TER020 |
| description | thermostat t.max. 280°C temperature range 50-280°C 1-pole 1NO 16A probe ø 3mm probe L 175mm capillary pipe 1450mm capillary pipe isolatedmm gland nut M10x1 shaft ø 6x4.6mm shaft L 18mm shaft position upper rotation 270° probe material SS | | |

safety thermostats



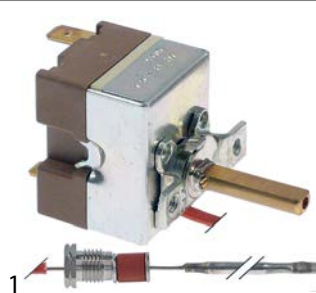
| | | | |
|--------------------|---|-----------------|--------|
| GEV No. | 390964 | Ref. No. | TER021 |
| description | safety thermostat switch-off temp. 335°C temperature range°C 1-pole 1CO 16A probe ø 3mm probe L 120mm capillary pipe 1500mm capillary pipe isolatedmm gland nut M9x1 probe SS | | |

CAMPINI

control thermostats



| | | | |
|--------------------|--|-----------------|--------|
| GEV No. | 391009 | Ref. No. | TER031 |
| description | thermostat switch-off temp. 318°C temperature range°C 1-pole 1NO 16A probe ø 3mm probe L 137mm capillary pipe 1440mm capillary pipe isolatedmm gland nut M9x1 probe SS | | |



| | | | |
|--------------------|---|-----------------|--------|
| GEV No. | 376064 | Ref. No. | TER030 |
| description | thermostat t.max. 280°C temperature range 50-280°C 1-pole 1NO 16A probe ø 3mm probe L 175mm capillary pipe 1450mm capillary pipe isolatedmm gland nut M10x1 shaft ø 6x4.6mm shaft L 18mm shaft position upper rotation 270° probe material SS | | |

switches and momentary switches

push/momentary push switches

ø25mm



| | | | |
|--------------------|---|-----------------|------------------|
| GEV No. | 347771 | Ref. No. | PUL002 PUL245 |
| description | momentary push switch mounting ø 25mm white 1NO/indicator light 250V 16A steam connection male faston 6.3mm ambient temperature max. 85°C protection IP40 | | |

microswitches

pin-plunger actuated

M10




| | | | |
|--------------------|---|-----------------|----------------------------|
| GEV No. | 348199 | Ref. No. | MIC001 MIC002 MIC253 |
| description | microswitch thread L 17mm 250V 16A 1CO connection F6.3 stroke 7mm actuating force: 500g | | |



cam switches

10 operating positions

| | | | |
|--|--|-----------------|----------------------------|
|  <p>1</p> | | | |
| GEV No. | 347770 | Ref. No. | COM000 COM002 COM037 |
| description | cam switch 10 operating positions 8NO sequence 0-1-2-3-4-5-6-7-8-9 18A shaft ø 6x4.6mm shaft L 23mm connection male faston 6.3mm plastic | | |


lamps

indicator lights

indicator lights (complete)

ø10mm


with plug-in socket


| | | | |
|--|--|-----------------|--------------------------|
|  <p>1</p> | | | |
| GEV No. | 359138 | Ref. No. | SEG000 SP036 SP037 |
| description | indicator light ø 10mm red 230V connection male faston 6.3mm Qty 1 pcs | | |

screw-on/push-on fit

light bulbs


for ovens


| | | | |
|--|--|-----------------|--------|
|  <p>1</p> | | | |
| GEV No. | 359740 | Ref. No. | LAM002 |
| description | light bulb t.max. 300°C socket E14 15W 230V ø 22mm L 48mm lens L 20mm for oven lamp IMPORT | | |

| | | | |
|--|---|-----------------|--------|
|  <p>1</p> | | | |
| GEV No. | 357153 | Ref. No. | LAM001 |
| description | light bulb t.max. 300°C socket E14 25W 230V ø 25mm L 55mm lens L 30mm for oven type | | |

halogen lamp

for socket G4 / G6.35 / G9


| | | | |
|---|---|-----------------|--------|
|  <p>1</p> | | | |
| GEV No. | 359945 | Ref. No. | LAM008 |
| description | halogen lamp socket G9 230V 25W temp.-resist. 300°C | | |


| | | | |
|---|---|-----------------|--------|
|  <p>1</p> | | | |
| GEV No. | 359946 | Ref. No. | LAM003 |
| description | halogen lamp socket G9 230V 40W temp.-resist. 300°C | | |


oven lamps


universal oven lamps


mounting diameter 35.5mm



| | | | |
|---|--|-----------------|-----------------------|
|  <p>1</p> | | | |
| GEV No. | 359718 | Ref. No. | LAM006 Portlam 290 |
| description | oven lamp mounting ø 35.5mm 230V 15W socket E14 temp.-resist. 300°C connection male faston 6.3mm hard glas | | |
| spare parts for | 359718 | | |
| GEV No. | 359701 | Ref. No. | POR021 |
| description | lamp socket socket E14 220-230V mounting ø 35.5mm connection male faston 6.3mm 15W | | |
| GEV No. | 359740 | Ref. No. | LAM002 |
| description | light bulb t.max. 300°C socket E14 15W 230V ø 22mm L 48mm lens L 20mm for oven lamp IMPORT | | |


| | | | |
|---|--|-----------------|------------------|
|  <p>1</p> | | | |
| GEV No. | 359701 | Ref. No. | POR021 |
| description | lamp socket socket E14 220-230V mounting ø 35.5mm connection male faston 6.3mm 15W | | |
| accessories for | 359701 | | |
| GEV No. | 359705 | Ref. No. | — |
| description | oven lamp glass thr.ø 33.5mm ø 52mm hard glas temp.-resist. 350°C | | |
| GEV No. | 359709 | Ref. No. | VET001 VET002 |
| description | oven lamp glass thr.ø 33.5mm ø 42mm hard glas temp.-resist. 350°C | | |
| GEV No. | 359721 | Ref. No. | — |
| description | gasket silicone ED ø 48mm ID ø 39.5mm thickness 5mm Qty 1 pcs | | |
| GEV No. | 359942 | Ref. No. | — |
| description | oven lamp glass thr.ø 33.5mm ø 41mm hard glas temp.-resist. 350°C | | |

| | | | |
|---|---|-----------------|------------------|
|  | | | |
| 1 | | | |
| GEV No. | 359709 | Ref. No. | VET001 VET002 |
| description | oven lamp glass thr.ø 33.5mm ø 42mm hard glas temp.-resist. 350°C | | |


| | | | |
|---|---|-----------------|------------------|
|  | | | |
| 1 | | | |
| GEV No. | 358128 | Ref. No. | GUA001 GUA019 |
| description | gasket for oven lamp silicone ID ø 30mm ED ø 38mm thickness 2mm | | |

| | | | |
|---|---|-----------------|--------|
| 55x70mm | | | |
|  | | | |
| 1 | | | |
| GEV No. | 357159 | Ref. No. | POR020 |
| description | lamp socket socket E14 mounting measurements 55x70mm connection male faston 6.3mm Qty 1 pcs | | |

| | | | | |
|---|---|-----------------|-----------------|--------|
|  | | | | |
| 1 | | | | |
| GEV No. | 359297 | Ref. No. | COR000 | |
| description | frame L 95mm W 81mm mounting distance 68/83mm thickness 6mm | | | |
| accessories for | 359297 | | | |
|  | GEV No. | 359299 | Ref. No. | GHI000 |
| gasket L 91mm W 77mm hole ø 3mm for oven lamp | | | | |

| | | | |
|---|---|-----------------|--------|
|  | | | |
| 1 | | | |
| GEV No. | 359299 | Ref. No. | GHI000 |
| description | gasket L 91mm W 77mm hole ø 3mm for oven lamp | | |


| | | | |
|--|--|-----------------|--------|
|  | | | |
| 1 | | | |
| GEV No. | 359296 | Ref. No. | VET000 |
| description | lamp glass L 74mm W 58mm thickness 3mm | | |

| | | | |
|--|---|-----------------|--------|
|  | | | |
| 1 | | | |
| GEV No. | 357159 | Ref. No. | POR020 |
| description | lamp socket socket E14 mounting measurements 55x70mm connection male faston 6.3mm Qty 1 pcs | | |

lamps


light bulbs


| | | | |
|---|--|-----------------|--------|
|  | | | |
| 1 | | | |
| GEV No. | 359740 | Ref. No. | LAM002 |
| description | light bulb t.max. 300°C socket E14 15W 230V ø 22mm L 48mm lens L 20mm for oven lamp IMPORT | | |

| | | | |
|---|---|-----------------|--------|
|  | | | |
| 1 | | | |
| GEV No. | 357153 | Ref. No. | LAM001 |
| description | light bulb t.max. 300°C socket E14 25W 230V ø 25mm L 55mm lens L 30mm for oven type | | |

halogen lamps

for socket G4 / G6.35 / G9

| | | | |
|---|---|-----------------|--------|
|  | | | |
| 1 | | | |
| GEV No. | 359945 | Ref. No. | LAM008 |
| description | halogen lamp socket G9 230V 25W temp.-resist. 300°C | | |

| | | | |
|---|---|-----------------|--------|
|  | | | |
| 1 | | | |
| GEV No. | 359946 | Ref. No. | LAM003 |
| description | halogen lamp socket G9 230V 40W temp.-resist. 300°C | | |



sockets

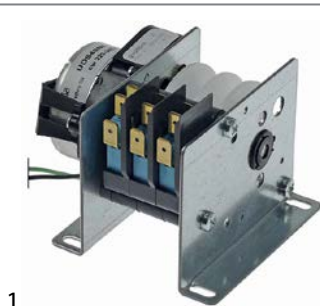
G4 / G5,3 / G6,35




| | | | |
|--------------------|---|-----------------|--------|
| GEV No. | 359304 | Ref. No. | POR076 |
| description | lamp socket socket G4 24V ø 17mm H 9mm connection cable 120mm mounting distance 12mm with 2 hole fixing mounting thread M3 cable length 120mm Qty 1 pcs | | |

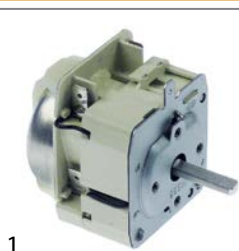
timers

programme timers



| | | | |
|---|--|-----------------|--|
| GEV No. | 360726 | Ref. No. | INV013 INV030 INVER230 INVERV |
| description | programme timer Guaitani R3/3 engines 1 chambers 3 operation time 6min 220/240V 50/60Hz shaft ø 6x6mm shaft L 44mm manuf. no. R3/3 motor type UDS40NE1RNZ165 | | |
| spare parts for | 360726 | | |
|  | GEV No. | 360673 | Ref. No. — |
| | motor kit pinion ø 6.8mm teeth 15 230V voltage AC 50/60Hz turn direction clockwise motor ø 48mm H 18.5mm motor type UDS-40NE1RNZ165 cable length 150mm with holder | | |

electric timers



| | | | |
|--------------------|--|-----------------|------------------|
| GEV No. | 350194 | Ref. No. | TIM000 TIM060 |
| description | timer MS65 with bell operation time 60min time spreadmin 2NO at 250V 16A permanent position yes impulse electric shaft ø 6x4.6mm shaft L 23mm mounting distance 29mm mounting thread M4 connection male faston 6.3mm Invensys 230V voltage AC 2-pole | | |

mechanical timers



| | | | |
|--------------------|--|-----------------|--------|
| GEV No. | 350187 | Ref. No. | TIM001 |
| description | timer M2 2-pole operation time 60min impulse mechanical 2CO at 250V 16A permanent position yes shaft ø 6x4.6mm shaft 6x4.6mm shaft L 23mm mounting distance 28mm | | |

alarm devices

buzzer boards





| | | | |
|--------------------|---|-----------------|--------|
| GEV No. | 401062 | Ref. No. | BUZ000 |
| description | buzzer board 230VAC L 48mm W 45mm connection Faston 6.3mm | | |

contactors

miscellaneous

power contactors



| | | | |
|---|--|-----------------|-------------------|
| GEV No. | 381172 | Ref. No. | CON000 CON030 |
| description | power contactor resistive load 20A 230VAC (AC3/400V) 9A/4.2kW main contacts 3NO auxiliary contacts 1NC connection screw connection type NC1-0901 | | |
| spare parts for | 381172 | | |
|  | GEV No. | 110235 | Ref. No. — |
| | knob energy regulator 1-3 t.max.°C ø 50mm shaft ø 6x4.6mm shaft flat upper black | | |
|  | GEV No. | 380013 | Ref. No. — |
| | energy regulator 400V 7A single-circuit turn direction right shaft ø 6x4.6mm mounting thread M4 no. 50.57031.010 | | |



probes

producer-specific probes

probes



| | | | |
|--------------------|---|-----------------|----------------------------|
| GEV No. | 379887 | Ref. No. | SON001 SON006 SON011 |
| description | temperature probe Pt100 cable high temperatur film probe -50 up to +200°C cable -50 up to +200°C connection 2-wire thread M10x1.5 probe ø5x42mm cable length 1.9m | | |

core probes



| | | | |
|--------------------|--|-----------------|------------------|
| GEV No. | 379886 | Ref. No. | SON000 SON102 |
| description | core temperature probe Pt100 cable PTFE probe -40 up to +250°C cable -40 up to +250°C connection 2-wire probe ø4x100mm thread M10x1.5 cable length 3m handle ø 15mm handle length 90mm | | |

electronics

PCBs



| | | | |
|--------------------|---------------------|-----------------|--------|
| GEV No. | 361951 | Ref. No. | SCH094 |
| description | PCB L 183mm W 103mm | | |

solenoïd valves

solenoïd valves (water)

ROBERTSHAW/INVENSY

medium temperature: 90°C 90°C 60°C
 ambient temperature: 60°C 25°C 60°C
 duty cycle: 40% 100% 100%

solenoïd valves with reducers

3-fold



| | | | |
|--------------------|--|-----------------|------------------|
| GEV No. | 374104 | Ref. No. | ELE002 ELE012 |
| description | solenoid valve triple straight 230VAC inlet 3/4" outlet 11.5mm input/ min output 2.5l/min output A 2.5l/min output B 2.5l/min output C 2.5l/min flow regulating valve outlet A brown flow regulating valve outlet B brown flow regulating valve outlet C brown | | |

RPE

solenoïd valves with reducers

single



| | | | |
|--------------------|---|-----------------|-----------------|
| GEV No. | 374012 | Ref. No. | ELE000 ELE1V |
| description | solenoid valve single straight 220-240VAC inlet 3/4" outlet JG 8 input 10-12l/min t.max. 60°C duty cycle 100% RPE plastic flow regulating valve outlet brown flow regulating valve inlet white output A 0.07-0.14l/min 2-ways medium temp max. 25°C male faston 6.3mm | | |

2-fold



| | | | |
|--------------------|--|-----------------|------------------|
| GEV No. | 374103 | Ref. No. | ELE001 VAL236 |
| description | solenoid valve double straight 220-240VAC inlet 3/4" outlet JG 8 input 4-4.5l/min output 0.07-0.14l/min flow regulating valve inlet yellow output A brownl/min output B brownl/min | | |

TP

solenoïd valves with reducers



| | | | |
|--------------------|--|-----------------|-------|
| GEV No. | 370628 | Ref. No. | ELE2V |
| description | solenoid valve double straight 230VAC inlet 3/4" input 16l/min DN10 TP plastic outlet 11.5mm | | |



fans


cross flow fans

COPREL

with standard coil



1

| | | | |
|---|---|-----------------|-------------------|
| GEV No. | 601453 | Ref. No. | MOT43SE |
| description | cross flow fan TFR 180 roller ϕ 60mm roller length 180mm laminated core thickness 16mm motor position right 230V/50-60Hz 17W universal bearing silicone connection male faston 6.3mm airflow 100m ³ /h -30 up to +100°C 230V 50Hz | | |
| accessories for | 601453 | | |
| | GEV No. | 415114 | Ref. No. — |
|  | heater battery mounting distance 185mm W 40mm H 35mm 2000W 230V temperature restriction 105°C heating circuits 2 connection cable cable length 150mm L 192mm for cross flow fan | | |

hot air motors

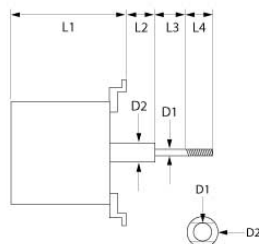



1

| | | | |
|--------------------|--|-----------------|-------------------------|
| GEV No. | 601854 | Ref. No. | MOT002 MOT013+CON025 |
| description | fan motor 230V 1 phase 50/60Hz 0.26/0.40kW 2800/3200rpm speeds 1 L1 96mm L2 68mm D1 ϕ 6/8mm M5x0.8 1.1/1.7A suitable capacitor 5 μ F/450V Cos(fi) 3217 type MFC80 | | |




1



| | | | |
|---|---|-----------------|------------------------|
| GEV No. | 601856 | Ref. No. | MOT200 MOTCOND44 |
| description | fan motor 230V 1 phase 50Hz 0.075kW 2650rpm speeds 1 L1 85mm L2 30mm L3 23mm L4 12mm D1 ϕ 8x6mm D2 ϕ 8mm 0.6A suitable capacitor 5 μ F/400V | | |
| accessories for | 601856 | | |
| | GEV No. | 365017 | Ref. No. CON003 |
|  | operating capacitor capacity 5 μ F 450V tolerance 5% 50/60Hz ambient temperature max. -25 to +85°C ϕ 28mm L 54mm M8 plastic connection male faston 6.3mm 16.10.08 protection | | |



1

| | | | |
|---|---|-----------------|---|
| GEV No. | 601993 | Ref. No. | MOT001 MOT013 MOT017 MOT017+CON003 MOT201 |
| description | fan motor 230V 1 phase 50Hz 0.18/0.12kW 2800rpm speeds 1 L1 85mm L2 65mm L3 23mm D1 ϕ 8mm D2 ϕ 6mm M5x0.8 0.8A suitable capacitor 5 μ F/450V | | |
| accessories for | 601993 | | |
| | GEV No. | 365017 | Ref. No. CON003 |
|  | operating capacitor capacity 5 μ F 450V tolerance 5% 50/60Hz ambient temperature max. -25 to +85°C ϕ 28mm L 54mm M8 plastic connection male faston 6.3mm 16.10.08 protection | | |



1

| | | | |
|--------------------|--|-----------------|--------|
| GEV No. | 602012 | Ref. No. | KIT030 |
| description | fan motor 230V 50Hz 0.11/0.05kW 2800rpm L1 130mm L2 50mm D1 ϕ 8mm M5x0.8 suitable capacitor 4 μ F/450V type MFT63 H25 | | |



1

| | | | |
|--------------------|---|-----------------|--------|
| GEV No. | 601801 | Ref. No. | VEN001 |
| description | fan wheel D1 ϕ 160mm H1 43mm blades 36 D2 ϕ 8mm D3 ϕ 8mm H2 24mm | | |

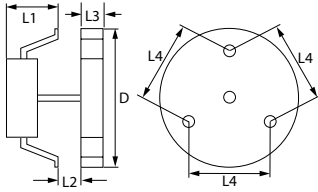



hot air fans

miscellaneous



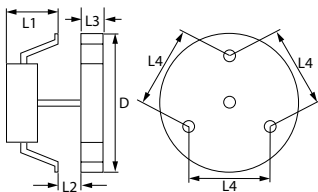
1



| | | | |
|---|--|-----------------|-------------------|
| GEV No. | 500902 | Ref. No. | MOT019 |
| description | fan motor 220V 55W 50/60Hz L1 68mm FIME type L25R without fan wheel | | |
| accessories for | 500902 | | |
|  | GEV No. | 550879 | Ref. No. — |
| | insulation ϕ 130mm thickness 3mm hole ϕ 18mm for hot air fan | | |



1



| | | | |
|--------------------|---|-----------------|---|
| GEV No. | 601825 | Ref. No. | MOT+VEN046 MOT+VEN43 MOT005 MOT019+GUA061+VEN020 |
| description | hot air fan 230-240V 55W 50/60Hz L1 65mm L2 8mm L3 29mm L4 87mm fan wheel ϕ 155mm PLASET type 9637.62683 | | |

accessories

fan wheels for hot air fans



1

| | | | |
|--------------------|--|-----------------|--------|
| GEV No. | 601979 | Ref. No. | VEN010 |
| description | fan wheel ϕ 159mm W 29mm shaft intake ϕ 6x5mm SS blades 12 Qty 1 pcs | | |

motors

gear motors

for ovens



1

| | | | |
|--------------------|--|-----------------|--------|
| GEV No. | 500811 | Ref. No. | MOT018 |
| description | gear motor AUTOM type ASR/30/FR 230V 50Hz shaft ϕ 8mm L 150mm W 65mm H 90mm | | |

pumps

booster pumps II

accessories



1

| | | | |
|--------------------|---|-----------------|--------|
| GEV No. | 365017 | Ref. No. | CON003 |
| description | operating capacitor capacity 5 μ F 450V tolerance 5% 50/60Hz ambient temperature max. -25 to +85°C ϕ 28mm L 54mm M8 plastic connection male faston 6.3mm 16.10.08 protection | | |



condensators & interference suppression filters

operating capacitors

plastic



1

| | | | |
|--------------------|--|-----------------|--------|
| GEV No. | 365017 | Ref. No. | CON003 |
| description | operating capacitor capacity 5µF 450V tolerance 5% 50/60Hz ambient temperature max. -25 to +85°C ø 28mm L 54mm M8 plastic connection male faston 6.3mm 16.10.08 protection | | |

electric accessories

terminals

connection terminals with screw/faston connections



1

| | | | |
|--------------------|---|-----------------|------------------|
| GEV No. | 550534 ¹ | Ref. No. | MOR000 MOR057 |
| description | power terminal block 3-pole max. 40A max 450V connection ø6mm ² / F6.3 temp.-resist. 150°C cross section 6mm ² mounting distance 67mm with ground lug | | |

¹with ground lug


gas valves and ignition boxes


gas control valves

HONEYWELL



1

| | | | |
|---|---|-----------------|-------------------|
| GEV No. | 101186 | Ref. No. | VAL000 |
| description | gas valve type VK4105C 220-240V 50/60Hz gas inlet flange 32x32mm gas outlet flange 32x32mm thermocouple connection pilot connection pressure range 15-60mbar max 60mbar operator type pressure controller type V5360E 1226 1 HONEYWELL flange 32x32mm | | |
| accessories for | 101186 | | |
|  | GEV No. | 102845 | Ref. No. — |
| | gas connection angled 1/2" flange 32x32mm hole distance 24x24mm Tandem | | |

| | | | |
|---|---|--------|-------------------|
| accessories for | 101186 | | |
|  | GEV No. | 102846 | Ref. No. — |
| | gas connection straight 1/2" flange 32x32mm hole distance 24x24mm suitable for Tandem | | |

ignition boxes

HONEYWELL



1

| | | | |
|--------------------|---|-----------------|--------|
| GEV No. | 102367 | Ref. No. | CEN000 |
| description | ignition box HONEYWELL type S4565A 2092 1 electrodes 3 waiting times safety time 10s 220-240V 4VA 50/60Hz | | |

gas nozzles

main nozzles

gas nozzles M13x1



1

| | | | |
|--------------------|--|-----------------|--------|
| GEV No. | 103200 | Ref. No. | UGE003 |
| description | gas injector thread M13x1 bore ø 3.3mm WS 13 | | |



1

| | | | |
|--------------------|-------------------------------|-----------------|--------|
| GEV No. | 699272 | Ref. No. | BOC004 |
| description | bush ID ø 9mm ED ø 21mm L 5mm | | |

knobs

producer-specific knobs

GARBIN



1

| | | | |
|--------------------|---|-----------------|--------|
| GEV No. | 112697 | Ref. No. | MAN000 |
| description | knob zero mark ø 43mm shaft ø 6x4.6mm shaft flat upper silver | | |



1

| | | | |
|--------------------|---|-----------------|----------------------------|
| GEV No. | 112796 | Ref. No. | MAN014 MAN038 MAN100 |
| description | knob zero mark ø 49mm shaft ø 6x4.6mm shaft flat upper silver | | |



1

| | | | |
|--------------------|---|-----------------|--------|
| GEV No. | 112698 | Ref. No. | MAN041 |
| description | knob zero mark ø 50mm shaft ø 6x4.6mm shaft flat upper grey | | |

accessories

fascias



1

| | | | |
|--------------------|---------------------------------|-----------------|-----------------|
| GEV No. | 112699 | Ref. No. | DIS006 DIS65 |
| description | bezel thermostat 0-270°C ø 65mm | | |

gaskets



1

| | | | |
|--------------------|---|-----------------|-----------------|
| GEV No. | 112700 | Ref. No. | DIS003 DIS09 |
| description | gasket for knob shaft ø 9mm ED ø 65mm Qty 1 pcs nylon | | |

locks

handle latches

universal

inside fixing

locks



1

| | | | |
|--------------------|---|-----------------|--------|
| GEV No. | 694054 | Ref. No. | MAN011 |
| description | door handle for headed units L 145mm W 40mm H 62mm spring length 33mm inner black | | |

| | | | |
|------------------------|--------|--|--|
| spare parts for | 694054 | | |
|------------------------|--------|--|--|

| | | | | |
|--|----------------|--------|-----------------|---|
| | GEV No. | 514390 | Ref. No. | — |
| spring for door handle ø 6mm L 54mm W 27.5mm | | | | |

| | | | | |
|---|----------------|--------|-----------------|---|
| | GEV No. | 694675 | Ref. No. | — |
| door catch L 88mm W 40mm H 37mm spring length 33mm mounting distance 60mm | | | | |

| | | | | |
|---|----------------|--------|-----------------|---|
| | GEV No. | 694734 | Ref. No. | — |
| door handle L 165mm W 40mm H 25mm black | | | | |

| | | | | |
|------------------|----------------|--------|-----------------|---|
| | GEV No. | 694735 | Ref. No. | — |
| cap ø 32mm black | | | | |

| | | | |
|------------------------|--------|--|--|
| accessories for | 694054 | | |
|------------------------|--------|--|--|

| | | | | |
|----------------------|----------------|--------|-----------------|---|
| | GEV No. | 691123 | Ref. No. | — |
| duct for door opener | | | | |

| | | | | |
|--|----------------|--------|-----------------|---|
| | GEV No. | 694055 | Ref. No. | — |
| door catch L 25mm W 14mm total length 54mm thread M8 thread L 29mm | | | | |

| | | | | |
|---|----------------|--------|-----------------|---|
| | GEV No. | 694066 | Ref. No. | — |
| door catch with spigot 2-stage L 28mm W 14mm H 15mm H1 16mm total length 51mm thread M8 thread L 23mm stainless steel | | | | |

| | | | | |
|---|----------------|--------|-----------------|--------|
| | GEV No. | 694067 | Ref. No. | NAS000 |
| door catch with spigot 1-stage L 26mm total length 51mm thread M8 | | | | |

producer-specific










GARBIN



1

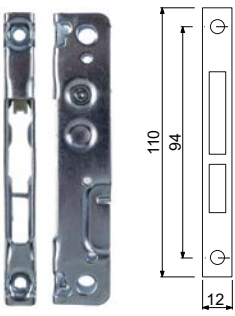
| | | | |
|--------------------|---|-----------------|--------|
| GEV No. | 694067 | Ref. No. | NAS000 |
| description | door catch with spigot 1-stage L 26mm total length 51mm thread M8 | | |







| | | | |
|---|---|-----------------|------------------------|
|  | | | |
| 1 | | | |
| GEV No. | 694054 | Ref. No. | MAN011 |
| description | door handle for headed units L 145mm W 40mm H 62mm spring length 33mm inner black | | |
| spare parts for | 694054 | | |
|  | GEV No. | 514390 | Ref. No. — |
| | spring for door handle ø 6mm L 54mm W 27.5mm | | |
|  | GEV No. | 694675 | Ref. No. — |
| | door catch L 88mm W 40mm H 37mm spring length 33mm mounting distance 60mm | | |
|  | GEV No. | 694734 | Ref. No. — |
| | door handle L 165mm W 40mm H 25mm black | | |
|  | GEV No. | 694735 | Ref. No. — |
| | cap ø 32mm black | | |
| accessories for | 694054 | | |
|  | GEV No. | 691123 | Ref. No. — |
| | duct for door opener | | |
|  | GEV No. | 694055 | Ref. No. — |
| | door catch L 25mm W 14mm total length 54mm thread M8 thread L 29mm | | |
|  | GEV No. | 694066 | Ref. No. — |
| | door catch with spigot 2-stage L 28mm W 14mm H 15mm H1 16mm total length 51mm thread M8 thread L 23mm stainless steel | | |
|  | GEV No. | 694067 | Ref. No. NAS000 |
| | door catch with spigot 1-stage L 26mm total length 51mm thread M8 | | |

hinges

oven hinges

| | | | |
|---|--|-----------------|--------|
|  | | | |
| 1 | | | |
| GEV No. | 693045 | Ref. No. | POR025 |
| description | opposite support L 110mm W 12mm mounting distance 94mm | | |

| | | | |
|---|--|-----------------|-----------------------------------|
|  | | | |
| 1 | | | |
| GEV No. | 692563 | Ref. No. | CER004 CERDX43 |
| description | oven hinge mounting distance 123mm lug mounting 11mm lever length 124mm groove distance 11mm spring thickness 3.5mm mounting ear position left spring length 56mm L 148mm mounting pos. right W 20mm | | |
| accessories for | 692563 | | |
|  | GEV No. | 692564 | Ref. No. CER003 CERSX43 |
| | oven hinge mounting distance 123mm lug mounting 11mm lever length 124mm groove distance 11mm spring thickness 3.5mm mounting ear position right spring length 56mm L 148mm mounting pos. left W 20mm | | |


| | | | |
|---|--|-----------------|-----------------------------------|
|  | | | |
| 1 | | | |
| GEV No. | 692564 | Ref. No. | CER003 CERSX43 |
| description | oven hinge mounting distance 123mm lug mounting 11mm lever length 124mm groove distance 11mm spring thickness 3.5mm mounting ear position right spring length 56mm L 148mm mounting pos. left W 20mm | | |
| accessories for | 692564 | | |
|  | GEV No. | 692563 | Ref. No. CER004 CERDX43 |
| | oven hinge mounting distance 123mm lug mounting 11mm lever length 124mm groove distance 11mm spring thickness 3.5mm mounting ear position left spring length 56mm L 148mm mounting pos. right W 20mm | | |

1




| | | | |
|--------------------|--|-----------------|--------------------------------------|
| GEV No. | 701217 | Ref. No. | CER001 CER036 CER36 CER3623 |
| description | oven hinge mounting distance 142mm lever length 118mm groove distance 10mm spring thickness 3.5mm spring length 57mm L 155mm mounting pos. left/right W 21mm | | |

2



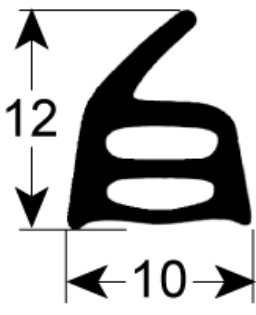
| | | | |
|--------------------|--|-----------------|-----------------|
| GEV No. | 701184 | Ref. No. | CER002 CER44 |
| description | oven hinge mounting distance 142mm mounting distance 2mm lug mountingmm lever length 118mm groove distance 12mm spring thickness 4.5mm mounting ear position spring length 57mm mounting pos. left/right W 23mm C 10mm | | |

1




| | | | |
|--------------------|---|-----------------|---------------------------|
| GEV No. | 901604 | Ref. No. | GUA006 GUA222 GUA44 |
| description | door seal W 660mm with 8 mounting clips H 360mm | | |

1



| | | | |
|--------------------|---|-----------------|-----------------|
| GEV No. | 902326 | Ref. No. | GUA003 GUA43 |
| description | oven gasket external size L 460mm W 370mm with 6 mounting clips | | |

1




| | | | |
|--------------------|---|-----------------|--------|
| GEV No. | 902404 | Ref. No. | GUA007 |
| description | oven gasket L 680mm W 280mm 4-sided with 8 mounting clips | | |

gaskets

gaskets for heated units

door seals with fixing hook

1




| | | | |
|--------------------|---|-----------------|------------------|
| GEV No. | 901605 | Ref. No. | GUA010 GUA023 |
| description | door seal W 320mm with 4 mounting clips H 350mm | | |

sealing washers

rubber gaskets

1



| | | | |
|--------------------|--|-----------------|-------------------|
| GEV No. | 506367 | Ref. No. | GUA078 GUACIRC |
| description | flat gasket rubber ED ø 40mm ID ø 28mm thickness 1.8mm Qty 1 pcs | | |

| | | |
|---|----|--|
| A | | |
| alarm devices | 7 | |
| B | | |
| booster pumps II | 10 | |
| C | | |
| cam switches | 5 | |
| condensators & interference suppression filters | 11 | |
| contactors | 7 | |
| control thermostats | 3 | |
| cross flow fans | 9 | |
| D | | |
| door seals with fixing hook | 14 | |
| E | | |
| electric accessories | 11 | |
| electric timers | 7 | |
| energy regulators | 3 | |
| F | | |
| fans | 9 | |
| G | | |
| gas control valves | 11 | |
| gas nozzles | 11 | |
| gaskets for heated units | 14 | |
| H | | |
| halogen lamp | 5 | |
| heating elements | 2 | |
| heating elements for convection | 2 | |
| heating elements for ovens | 2 | |
| hot air fans | 10 | |
| hot air motors | 9 | |
| I | | |
| ignition boxes | 11 | |
| indicator lights | 5 | |
| indicator lights (complete) | 5 | |
| L | | |
| lamps | 5 | |
| light bulbs | 5 | |
| M | | |
| mechanical timers | 7 | |
| microswitches | 4 | |
| motors | 10 | |
| O | | |
| operating capacitors | 11 | |
| oven hinges | 13 | |
| oven lamps | 5 | |
| P | | |
| probes | 8 | |
| programme timers | 7 | |
| pumps | 10 | |
| push/momentary push switches | 4 | |
| S | | |
| sealing washers | 14 | |
| solenoid valves | 8 | |
| switches and momentary switches | 4 | |
| T | | |
| terminals | 11 | |
| thermostats | 3 | |
| timers | 7 | |