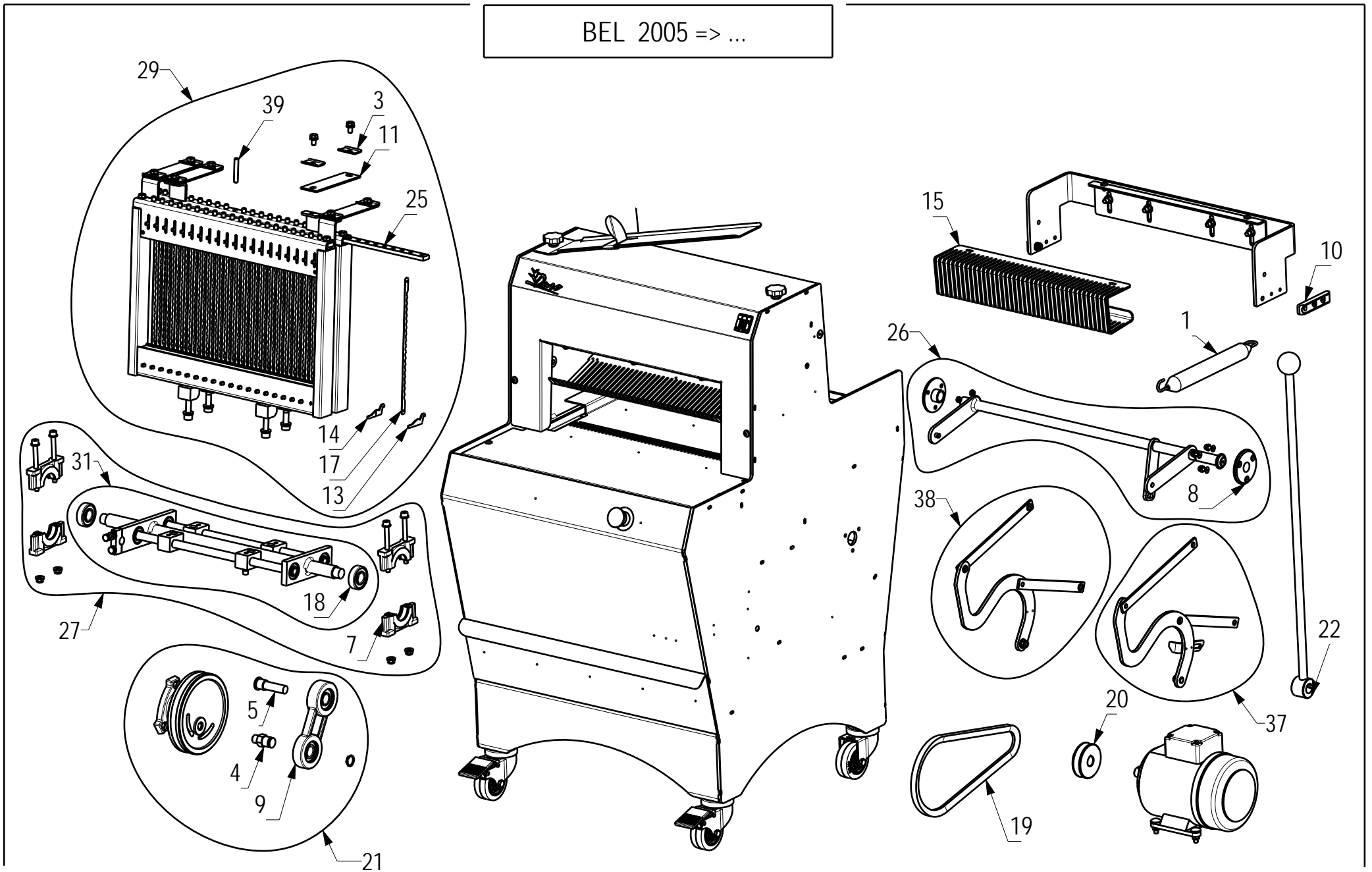
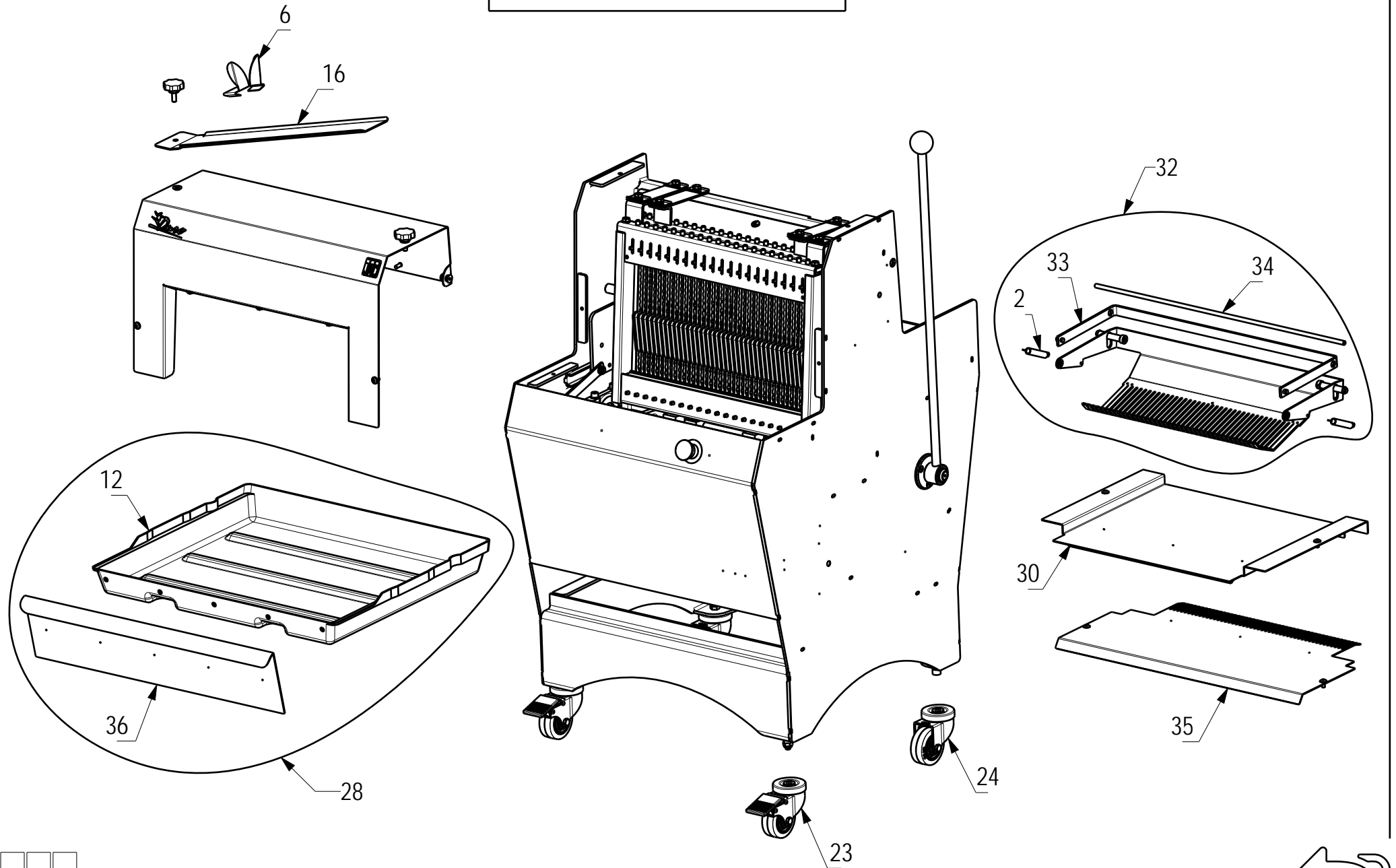


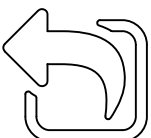
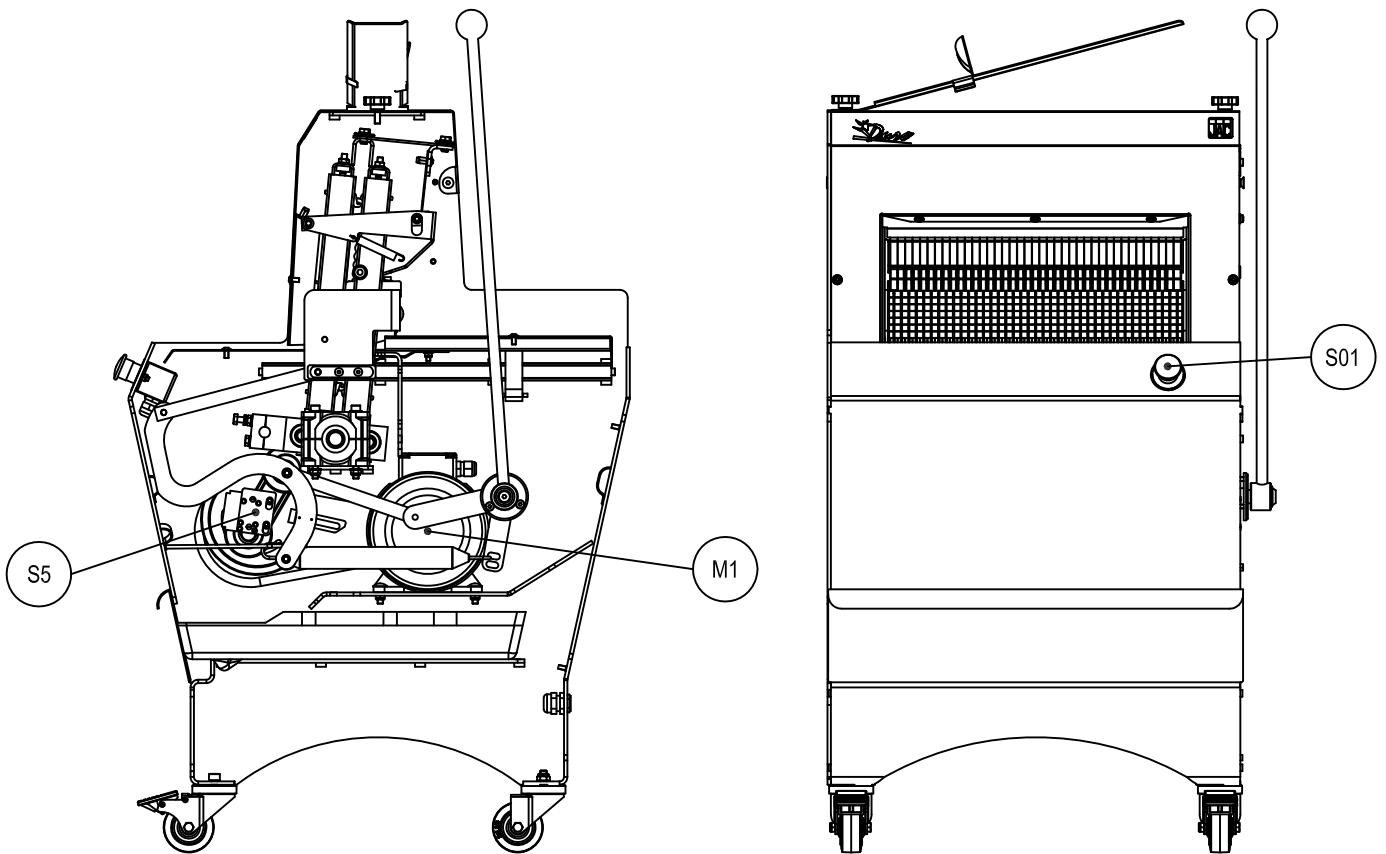
BEL 2005 => ...



BEL 2005 => ...



BEL 2005 => ...



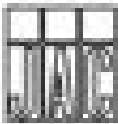
BEL 2005 => ...

REP	QTE	N°
1	1	5310002
2	2	5310019
3	8	P40257
4	1	5540018
5	1	5540019
6	1	5590011
7	4	5610003
8	2	5610004
9	1	5610005
10	2	5690010
11	4	P40280
12	1	5690074
13	96	5740067
14	96	5740068
15	1	3-01406-450
15	1	3-00950-450
15	1	3-00951-450
16	1	4-02041-450
17	100	6110002
17	100	6110001
17	100	6110011
18	2	7210011
19	1	7240032
20	1	7260011
21	1	7320001
22	1	7380100
23	2	7930036
24	2	7930037
25	2	3-00817-450
26	1	3-01009-450
27	1	3-01208-450
28	1	3-01210-450
29	1	3-01441-450
30	1	4-01979-450
31	1	4-02552-450
32	1	4-02769-450
33	1	4-02770-450
34	1	4-02771-450
35	1	4-03090-450
36	1	4-02468-450
37	1	4-04511
38	1	4-04512
39	48	VO91301

50 mm
80 mm
100 mm
10 mm 0,5
13 mm 0,5
13 mm 0,5 + T

REP	QTE	N°
M1	1	6620033
M1	1	6620037
S01	1	6310079
S5	1	6340003

1~ 230V
3~ 230/400V



Traditionally innovative

