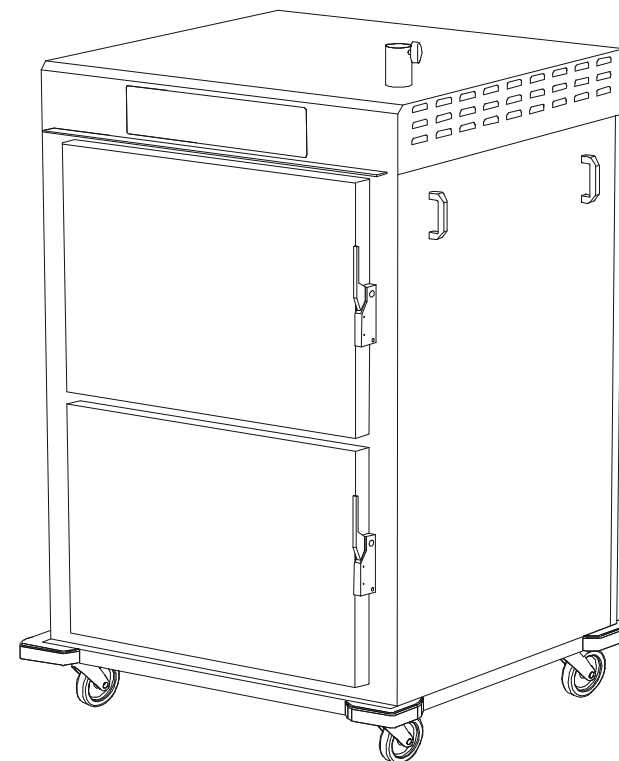
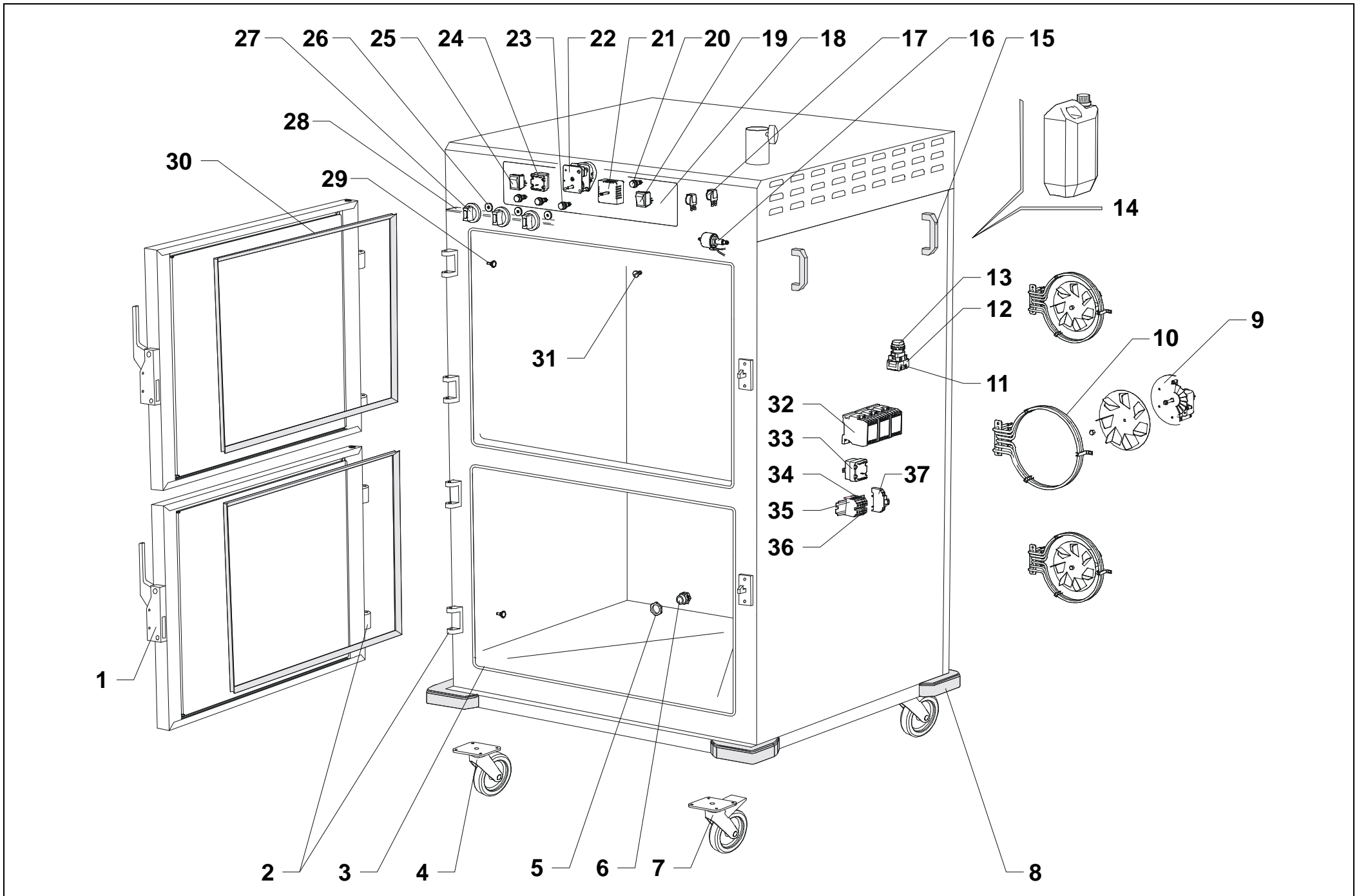

**ESPLOSI
EXPLODED DRAWINGS
VUE ECLATEE
EXPLOSIONZEICHNUNGEN
DESPIECE**



Mod. RC162M



| POS. | COD. | QT. | DESCRIZIONE | DESCRIPTION | DESCRIPTION | BESCHREIBUNG | DESCRIPCIONES |
|------|-----------|-----|------------------------------------|-----------------------------------|-------------------------------------|---------------------------------------|--------------------------------|
| 1 | A33200310 | 2 | CHIUSURA IMPUGNATURA CURVA CROMATA | FERMETURE POIGNE CHROME' | DEADLATCH | VERSCHLUSSVORRICHTUNG | CLAUSURA |
| 2 | A33200080 | 4 | CERNIERA CROMATA LUCIDA | CHARNIERE CHROME' | HINGE | SCHARNIER | BISAGRA |
| 3 | A23203300 | 1 | GUARNIZIONE FACCIATA RM-RC162 | JOINT FACADE RM-RC162 | FRONT GASKET RM-RC162 | DICHTUNG DER FRONTSEITE RM-RC162 | JUNTA FRONTAL RM-RC162 |
| 4 | A33100020 | 2 | RUOTA | ROULETTE | WHEEL | RAD | RUEDA |
| 5 | A34201370 | 1 | CONTRODADO PG21 | CONTRE-ECROU RONDELLE PG21 | CABLE GLAND LOCK NUT PG21 | MUTTER PG21 | CONTRODADO PASACABLE PG21 |
| 6 | A34201360 | 1 | PRESSACAVO 107/Z21 | RONDELLE FIXATION 107/Z21 | CABLE/GLAND 107/Z21 | ENTZUGLASTUNG 107/Z21 | PASACABLE 107/Z21 |
| 7 | A33100030 | 2 | RUOTA CON FRENO | ROULETTE AVEC FREIN | WHEEL WITH BRAKE | RAD MIT BREMSE | RUEDA CON FRENO |
| 8 | A31200060 | 4 | PARACOLPI | BUTOIR | BUFFER | PRELLVORRICHTUNG | PARACHOQUES |
| 9 | A34300420 | 3 | VENTILATORE C30XOL 13/05 240V | MOTEUR C30Xol 13/05 240V | VENTILATION MOTOR C30Xol 13/05 240V | MOTOR C30Xol 13/05 240V | VENTILADOR C30Xol 13/05 240V |
| 10 | A34300510 | 3 | RESISTENZA 3150W 230V | RESISTANCE 3150W 230V | HEATING ELEMENT 3150W 230V | HEIZKOERPER 3150W 230V | RESISTENCIA 3150W 230V |
| 11 | A34100320 | 1 | CONTATTO 1NO ANTICIPATO | CONTACT ANTICIPE 1NO | 1NO ANTICIPED SWITCH | VORGESTELLTER KONTAKT 1NO | CONTACTO 1NC ANTICIPADO |
| 12 | A34100330 | 1 | CONTATTO 1NC RITARDATO | CONTACT RETARDE 1NC | 1NC DELAYED SWITCH | VERZOEGERTER KONTAKT 1NC | CONTACTO 1NC RETARDADO |
| 13 | A34100310 | 1 | PULSANTE INSTABILE ROSSO | MICRO INTERRUPTEUR HUMIDIFICATION | HUMIDITY MICROSWITCH | MIKROSCHALTER BEFEUCHTUNG | MICROINTERRUPTOR HUMIDIFICADOR |
| 14 | A32100560 | 1 | TANICA 3 LITRI | RESERVOIR 3Lt | TANK 3Lt | TANK 3Lt | DEPOSITO 3Lt |
| 15 | A23102610 | 4 | MANIGLIA LATERALE | POIGNE LATERAL | LATERAL HANDLE | SEITLICH GRIFF | MANETA LATERAL |
| 16 | A34300430 | 1 | POMPA NM-2 230V 50HZ | POMPE HUMIDIFICATION | HUMIDITY PUMP | BASCHWADUNGSPUMPE | POMPA HUMIDIFICADOR |
| 17 | A34100750 | 2 | SUONERIA 220V | SONNERIE 220V | BUZZER 220V | SUMMER 220V | ZUMBADOR 220V |
| 18 | A23601630 | 1 | MASCHERINA COMB.VERS.M OR.RENOVA | PLAQUE COMB.VERS.M OR.RENOVA | RENOVA PLATE COMB.VERS.M OR. | BEDIENUNGSFOLIE COMB.VERS.M OR.RENOVA | PLACA RENOVA COMB.VERS.M OR. |
| 19 | A34100140 | 1 | DEVIATORE NERO | INTERRUPTOR DEVIATEUR | CURRENT EXCHANGE SWITCH | UMSCHALTER | INTERRUPTOR BIPOLAR |
| 20 | A34200300 | 1 | SPIA LUMINOSA ARANCIO 220V | LAMPE TEMOIN ORANGE | ORANGE INDICATING LIGHT | ORANGENE KONTROLLAMPE | LAMPARA PILOTO NARANJA |
| 21 | A34100700 | 1 | REGOLATORE ENERGIA | REGULATEUR D'ENERGIE | ENERGY REGULATOR | ENERGIEREGLER | REGULADOR ENERGIA |
| 22 | A34100730 | 1 | CONTAMINUTI 90' EL.MECC.(108') | TIMER 90' EL.MECC. (108') | TIMER 90' | TIMER 90' | PROGRAMADOR 90' |
| 23 | A34200310 | 3 | SPIA LUMINOSA VERDE 220V | LAMPE TEMOIN VERT | GREEN INDICATING LIGHT | GRUENE KONTROLLAMPE | LAMPARA PILOTO VERDE |
| 24 | A34100020 | 1 | TERMOSTATO REGOLABILE 45°-170°C | THERMOSTAT 45°-170°C | THERMOSTAT 45°-170°C | THERMOSTAT 45°-170°C | KIT TERMOSTATO 45°-170°C |
| 25 | A34100342 | 1 | INTERRUTTORE LUMINOSO VERDE | INTERRUPTEUR VERT | GREEN LIGHT SWITCH | GRUENER SCHALTER | INTERRUPTOR VERDE |
| 26 | A32100550 | 3 | GUARNIZIONE MANOPOLA | KNOB GASKET | ETANCHEITE POIGNEE COMMANDE | DICHTUNG DES BEDIENUNGSKNEBELS | JUNTA MANETA |
| 27 | A34100920 | 3 | MANOPOLA RENOVA GRIGIA NERA | POIGNE COMMANDE RENOVA | KNOB RENOVA | DREHKNOPF RENOVA | MANETA RENOVA |
| 28 | A23203310 | 1 | GUARNIZIONE COPERCHIO RM-RC161-162 | JOINT COUVERCLE RM-RC161-162 | COVER PANEL GASKET RM-RC161-162 | DICHTUNG FUER DECKEL RM-RC161-162 | JUNTA TAPA RM-RC161-162 |
| 29 | A23100930 | 8 | PERNO SUPPORTO PARATIA | SUPPORT GLISSIERES | SIDE RUNNERS SUPPORT | BOLZEN AUFLAGESCHIENEN | PERNO PARATIA |
| 30 | A23203290 | 2 | GUARNIZIONE PORTA RM-RC162-262 | JOINT DE PORTE RM-RC162-262 | DOOR GASKET RM-RC162-262 | TUERDICHTUNG RM-RC162-262 | JUNTA PUERTA RM-RC162-262 |
| 31 | A23100890 | 2 | VITE FERMO DEFLETTORE | VIS DEFLECTEUR | FAN GUARD FASTENING SCREW | SCHRAUBE F.LUFTLEITBLECH | TORNILLO CIERRE DEFLECTOR |
| 32 | A34100880 | 3 | TELERUTTORE 4kW | CONTACTEUR 4kW | CONTACTOR 4kW | SCHUETZ 4kW | CONTACTOR 4kW |
| 33 | A34100780 | 1 | TERMOSTATO SICUREZZA 320°C | THERMOSTAT DE SECURITE' 320°C | SECURITY THERMOSTAT 320°C | SICHERHEITS-THERMOSTAT 320°C | KIT TERMOSTATO SEGURIDAD 320°C |
| 34 | A34101030 | 1 | MORSETTO TRIPOLARE 6mm | BORNE TRIPOLAIRE 6mm | TRIPOLAR TERMINAL 6mm | DREIPOLIG KLEMME 6mm | REGLETA TRIPOLAR 6mm |
| 35 | A34101080 | 1 | MORSETTO UNIPOLARE BLU 6mm | BORNE UNIPOLAIRE BLUE 6mm | UNIPOLAR BLUE TERMINAL 6mm | BLAU EINADRIG KLEMME 6mm | REGLETA UNIPOLAR AZUL 6mm |
| 36 | A34101020 | 1 | MORSETTO UNIPOLARE DI TERRA 6mm | BORNE UNIPOLAIRE DE TERRE 6mm | UNIPOLAR EARTH TERMINAL 6mm | ERDE EINADRIG KLEMME 6mm | REGLETA UNIPOLAR DE TIERRA 6mm |
| 37 | A34101070 | 1 | PORTAFUSIBILE | PORTE-FUSIBLE | FUSE CARRIER | SICHERUNGSHALTER | PORTAFUSIBILE |
| 37a | A34201250 | 1 | FUSIBILE 2A | FUSIBLE 2A | FUSE 2A | SCHMELZSICHERUNG 2A | FUSIBLE 2A |

Storia delle revisioni

| Nr. | Data | Punto | Natura della correzione | Type of correction | Type de correction | Verbesserungsart | Sentido de la correccion |
|------------|-------------|--------------|--------------------------------|---------------------------|---------------------------|-------------------------|---------------------------------|
| 00 | 17/05/2002 | Tutti | Prima emissione | First issue | Première émission | Erste Ausgabe | Primera emisión |
| | | | | | | | |
| | | | | | | | |
| | | | | | | | |
| | | | | | | | |
| | | | | | | | |
| | | | | | | | |
| | | | | | | | |
| | | | | | | | |
| | | | | | | | |
| | | | | | | | |
| | | | | | | | |
| | | | | | | | |
| | | | | | | | |
| | | | | | | | |
| | | | | | | | |
| | | | | | | | |
| | | | | | | | |

Verifica: **Ufficio tecnico**
Emissione: **Ufficio tecnico**
Approvazione: **Direzione tecnica**