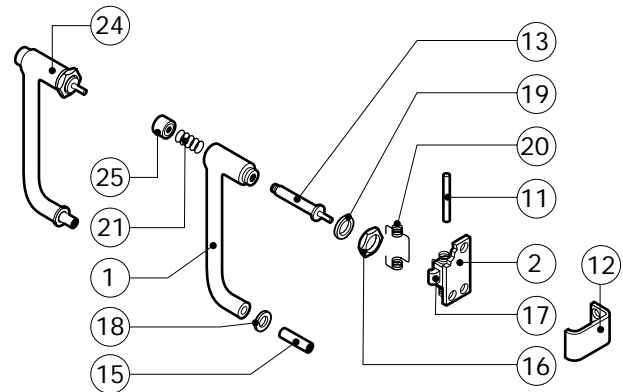
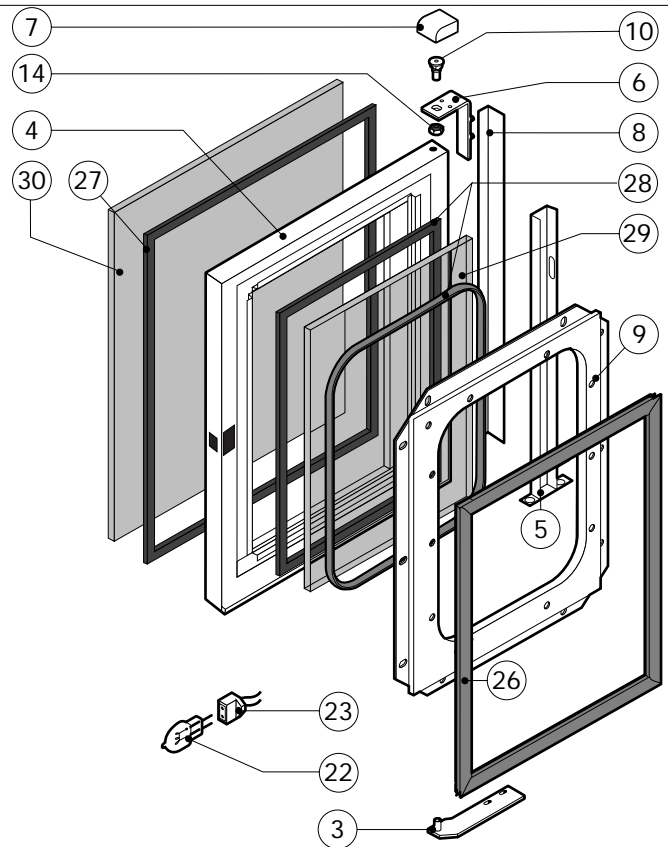
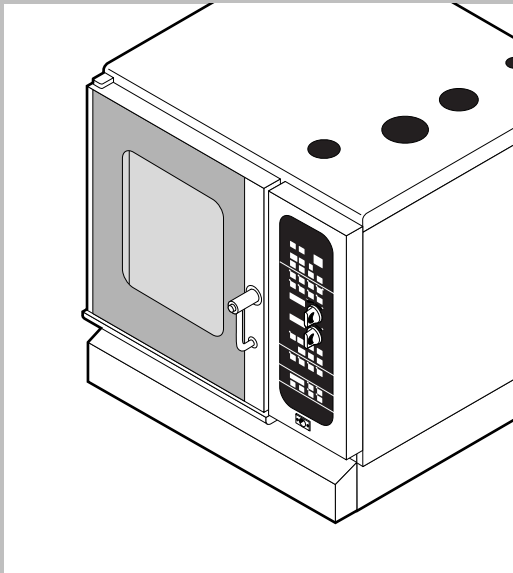


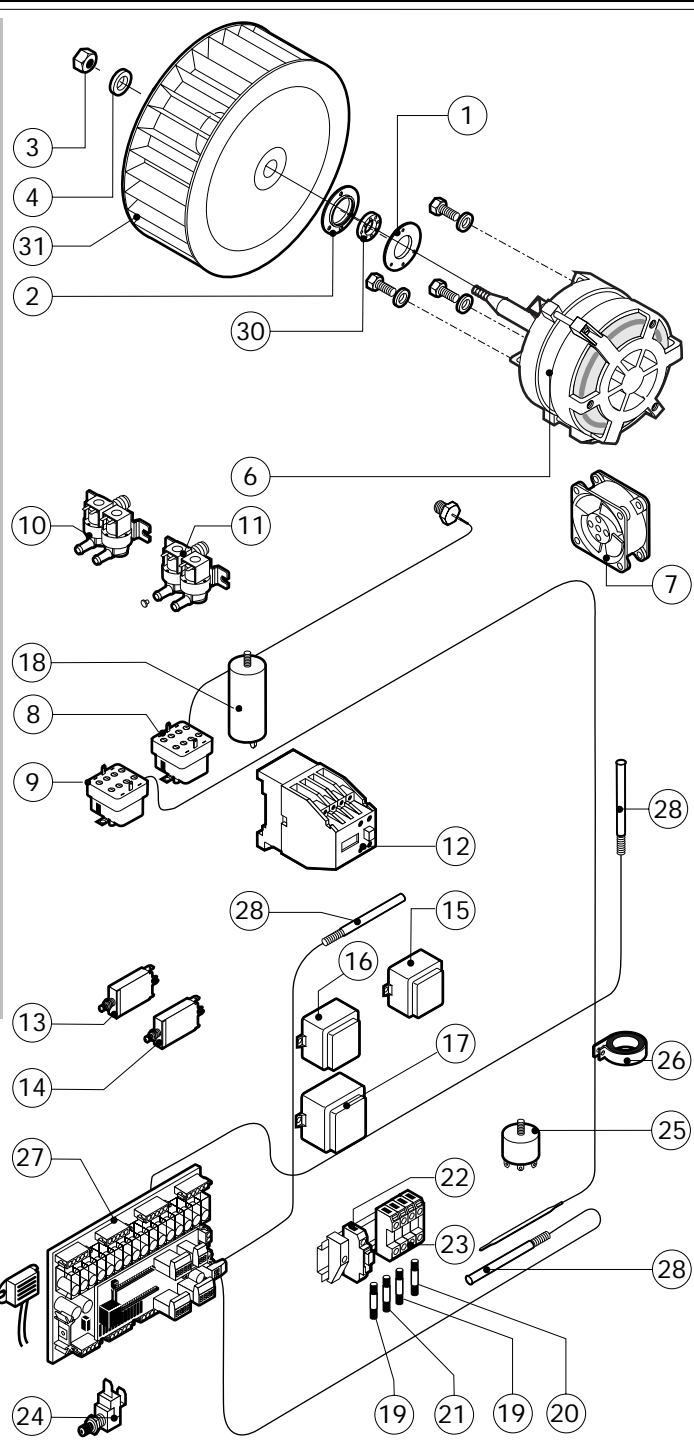
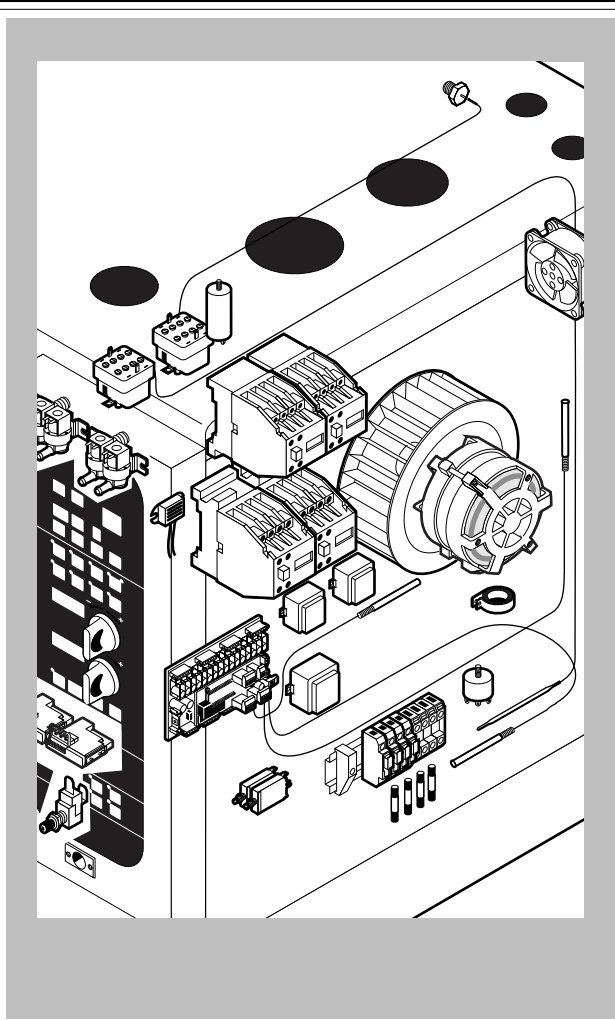
POS.	CODE	PIECES	DESCRIPTION
1	R10206470	1	SPRITZER EXTENSION
2	R10206540	1	SPRITZER UNION
3	R14100300	1	DOOR ASSEMBLY WITH LIGHTS
4	R14200020	1	COOKING CABINET ASSEMBLY
5	R14200380	1	COVER PANEL
6	R14200850	1	FAN GUARD PANEL ASSEMBLY
7	R14201450	1	RIGHT SIDE PANEL
8	R14201460	1	LEFT SIDE PANEL
9	R14201600	1	REAR PANEL
10	R14202890	1	CONTROL PANEL
11	R58006400	4	FAN GUARD FASTENING SCREW
12	R70042860	1	FRONT GASKET
13	R75300020	1	FAN GUARD GRID Ø 120
14	R75300030	1	FAN GUARD GRID Ø 190

POS.	CODE	PIECES	DESCRIPTION



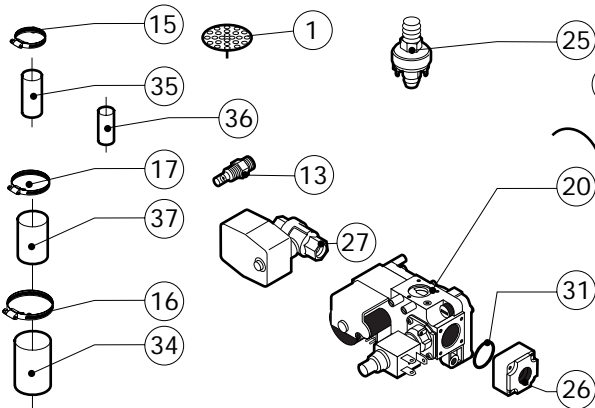
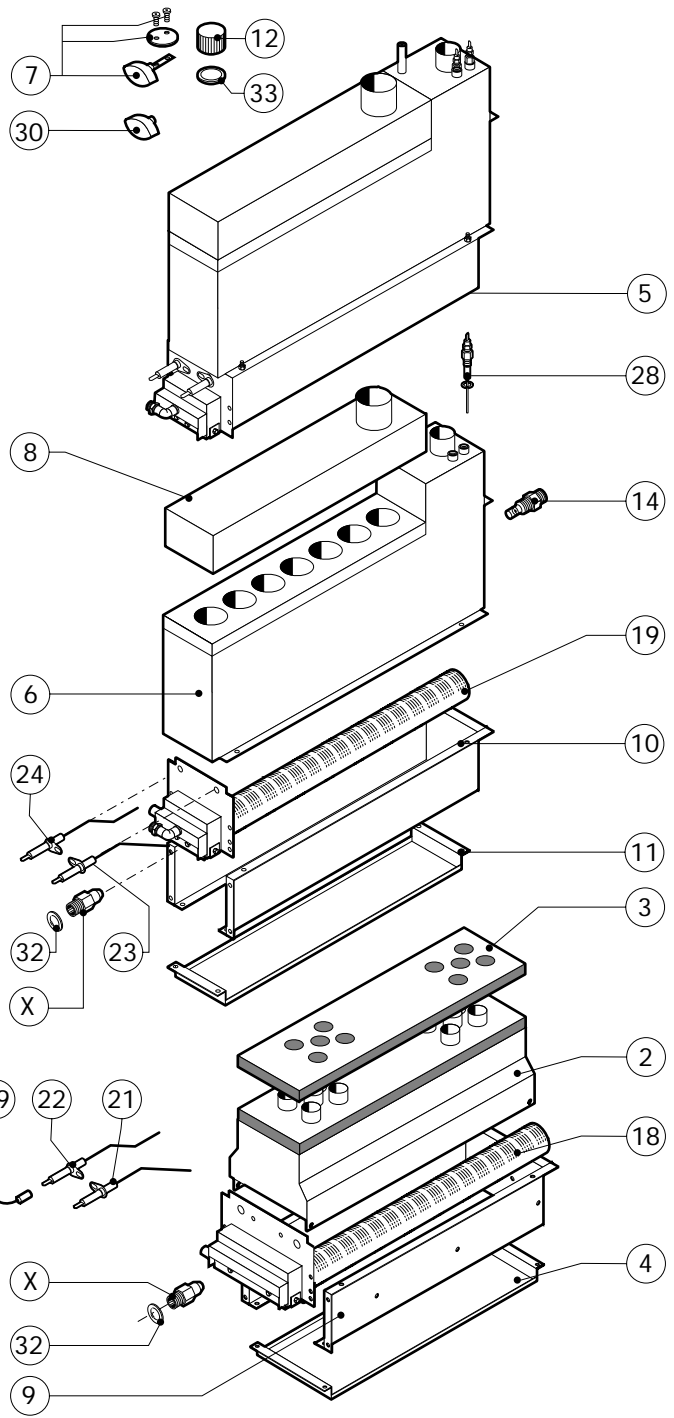
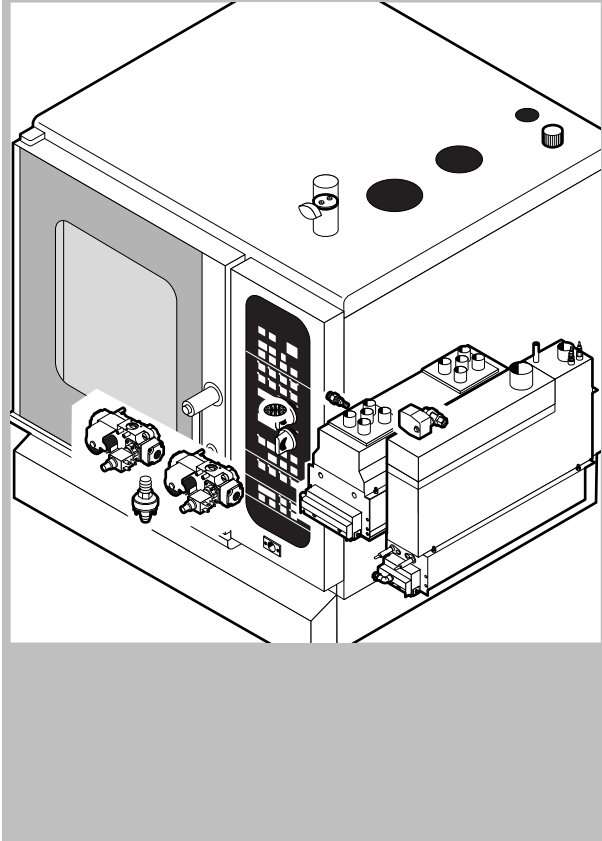
POS.	CODE	PIECES	DESCRIPTION
1	R09200230	1	DOOR HANDLE
2	R10100110	1	PRONG FLANGE
3	R12212250	1	LOWER DOOR HINGE
4	R14200700	1	DOOR
5	R14200780	1	LEFT LAMP COVER
6	R14200820	1	UPPER DOOR HINGE
7	R14200830	1	DOOR HINGE COVER
8	R14400560	1	LEFT GLASS FIXING BRACKET
9	R14400570	1	INNER DOOR PANEL
10	R58002150	1	HINGE PIN
11	R58002160	1	DOOR HANDLE PRONG PIN
12	R58002760	1	DOOR HANDLE PRONG COUPLER
13	R58003500	1	DOOR HANDLE BUTTON ROD
14	R58004050	1	NUT FOR UPPER DOOR HINGE
15	R58004320	1	DOOR HANDLE SPACER
16	R58004830	1	RING NUT M18x1
17	R58005050	1	DOOR HANDLE PRONG
18	R58005340	1	DOOR HANDLE LOWER INSULATION WASHER
19	R58005350	1	DOOR HANDLE UPPER INSULATION WASHER

POS.	CODE	PIECES	DESCRIPTION
20	R61620012	1	DOOR HANDLE CATCH SPRING
21	R61620041	1	DOOR HANDLE BUTTON SPRING
22	R65270020	1	LIGHT 20W 12V G4
23	R65270400	1	LIGHT SOCKET
24	R69015080	1	DOOR HANDLE ASSEMBLY
25	R69031190	1	DOOR HANDLE PUSH BUTTON
26	R70042560	1	DOOR GASKET
27	R70042660	1	FRONT GLASS GASKET
28	R70042760	1	REAR GLASS GASKET
29	R71200070	1	DOOR GLASS
30	R71200720	1	DOOR GLASS



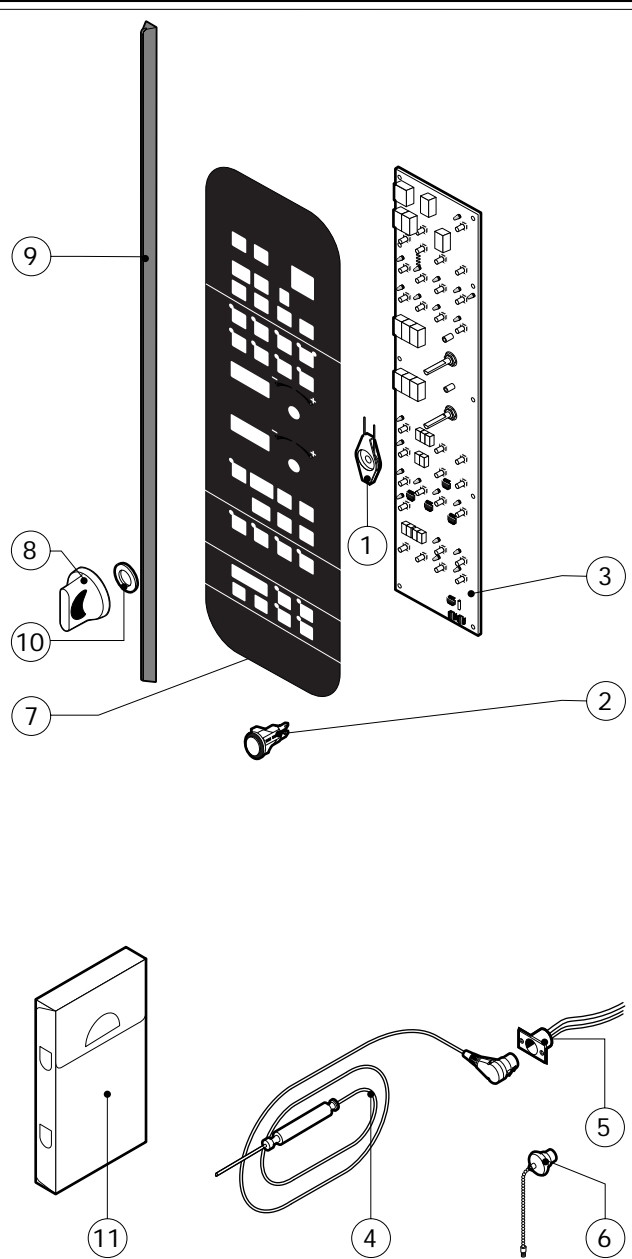
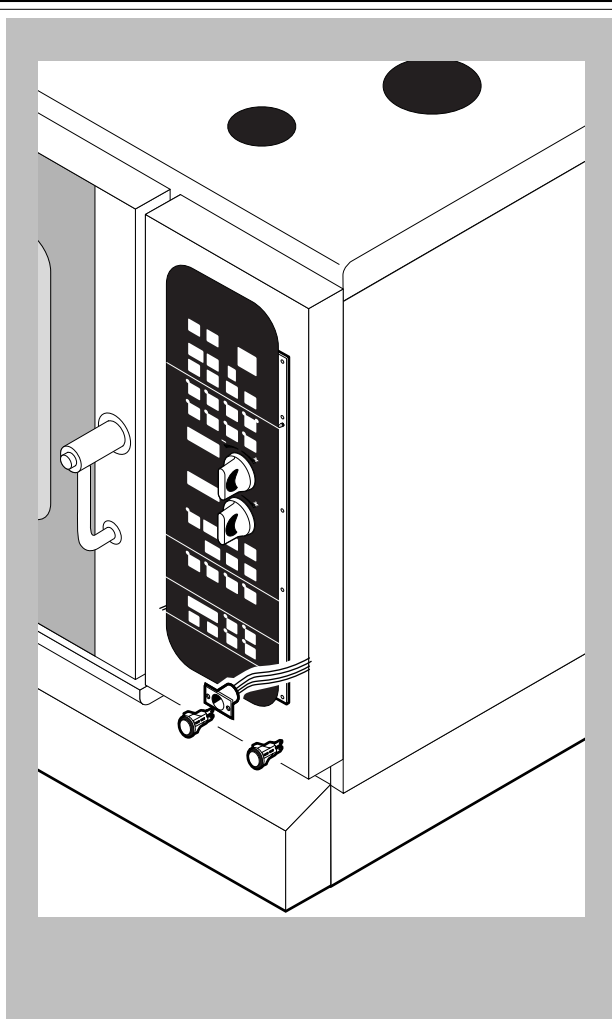
POS.	CODE	PIECES	DESCRIPTION
1	R58003860	1	MOTOR GASKET BRASS FLANGE
2	R58003870	1	MOTOR GASKET BRASS COUNTER FLANGE
3	R58004020	1	FAN SECURITY NUT M10 SX
4	R61400052	1	FAN WASHER Ø 21/10.5
5	R63060100	2	BURNER IGNITION PANEL
6	R65040430	1	MOTOR 0.37/0.05 KW KIT
7	R65060050	1	COMPONENTS VENTILATION MOTOR Ø 120
8	R65070070	1	CHAMBER SAFETY THERMOSTAT
9	R65070080	1	STEAM GENERATOR SAFETY THERMOSTAT
10	R65110040	1	SOLENOID VALVE 220V 50HZ
11	R65115000	1	SOLENOID VALVE 220V 50HZ WITH FLOW REDUCER
12	R65140150	4	CONTACTOR 3TF4011-OAUO 240V
13	R65160300	1	THERMIC PROTECTION T12-2115-0.8A
14	R65160310	1	THERMIC PROTECTION T12-2115-2.5A
15	R65180410	1	TRANSFORMER 16VA
16	R65180420	1	TRANSFORMER 20VA
17	R65180650	1	TRANSFORMER 23VA
18	R65190180	1	CAPACITOR 10 µF
19	R65200086	2	FUSE 0.125A (T)

POS.	CODE	PIECES	DESCRIPTION
20	R65200200	1	FUSE 2A
21	R65200320	1	FUSE 0.2A (T)
22	R65210020	4	FUSE CARRIER
23	R65220220	1	TERMINAL BOARD
24	R65260540	1	DOOR SWITCH
25	R65280210	1	INTERFERENCE SUPPRESSOR
26	R65280450	1	FERRITE
27	R65300730	1	RELAYS P.C. BOARD
28	R65325000	3	PROBE PT100
29	R65330020	1	BUZZER
30	R70020040	1	MOTOR GASKET
31	R75400400	1	FAN Ø 220x78/12 50HZ P.D. KIT



POS.	CODE	PIECES	DESCRIPTION
1	R10201700	1	DRAIN FILTER
2	R10202400	1	COMBUSTION CABINET
3	R10402390	1	COMBUSTION CABINET INSULATION PLATE
4	R10403790	1	CHAMBER BURNERS PROTECTION PLATE
5	R14100500	1	STEAM GENERATOR ASSEMBLY
6	R14201120	1	STEAM GENERATOR
7	R14201410	1	STEAM OUTLET THROTTLE ASSEMBLY
8	R14202070	1	STEAM GENERATOR GAS FLUE PIPE
9	R14202300	1	CABINET BURNERS SUPPORT
10	R14202360	1	STEAM GENERATOR SUPPORT
11	R14402610	1	STEAM GENERATOR BURNERS PROTECTION PLATE
12	R58005680	1	STEAM GENERATOR DESCALING CAP 1"1/4 F
13	R58006090	1	STEAM QUENCHING NOZZLE Ø 1
14	R58006110	1	STEAM GENERATOR FLUSHING NOZZLE
15	R61630011	12	METAL CLAMPS 12-22/9
16	R61630031	2	METAL CLAMPS 40-60/9
17	R61630081	2	METAL CLAMPS 20-32/9
18	R63016500	1	CHAMBER BURNER ASSEMBLY
19	R63016510	1	STEAM GENERATOR BURNER ASSEMBLY
20	R63020160	2	GAS SOLENOID VALVE

POS.	CODE	PIECES	DESCRIPTION
21	R63050300	1	IGNITOR
22	R63050310	1	SENSOR
23	R63050320	1	IGNITOR
24	R63050330	1	SENSOR
25	R63070010	1	GAS SAFETY PRESSURE SWITCH PG 901.61
26	R63080040	4	STRAIGHT FLANGE 1/2"
27	R65110540	1	STEAM GENERATOR DRAIN MOTORIZED VALVE
28	R65320010	2	STEAM GENERATOR LEVEL PROBE
29	R66605900	4	FLAME IGNITION CABLE/FLAME SENSOR CABLE
30	R69010410	1	STEAM OUTLET KNOB
31	R70010070	4	RING
32	R70030090	3	NOZZLE GASKET
33	R70050040	1	STEAM GENERATOR CAP GASKET
34	R70060030	1	SILICON COUPLING Ø 40
35	R70060070	1	SILICON COUPLING Ø 15
36	R70060080	1	SILICON COUPLING Ø 13
37	R70060090	2	SILICON COUPLING Ø 25
X		2	NOZZLE (See service manual)
X		2	NOZZLE (See service manual)



POS.	CODE	PIECES	DESCRIPTION
1	R10205120	2	KNOB SPRING
2	R65260480	2	UNIPOLAR PUSH BUTTON
3	R65300710	1	CONTROL PANEL P.C. BOARD
4	R65320900	1	CORE TEMPERATURE PROBE
5	R65320920	1	CORE TEMPERATURE PROBE FEMALE CONNECTOR
6	R65321020	1	COVER FOR FEMALE CONNECTOR
7	R67401180	1	MARENO PLATE
8	R69030170	2	KNOB KIT
9	R70042960	1	CONTROL PANEL GASKET
10	R70050020	4	KNOB GASKET
11	R86020420	1	CORE TEMPERATURE PROBE BOX

POS.	CODE	PIECES	DESCRIPTION