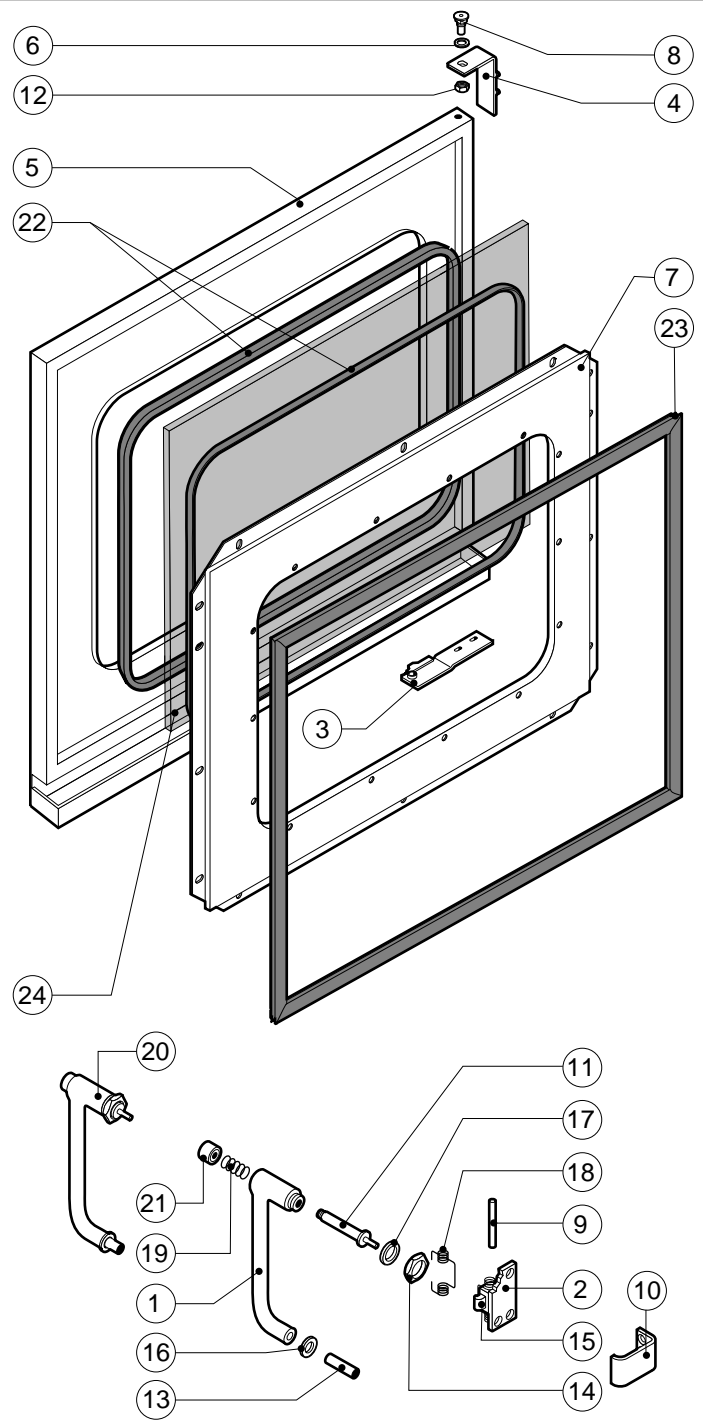
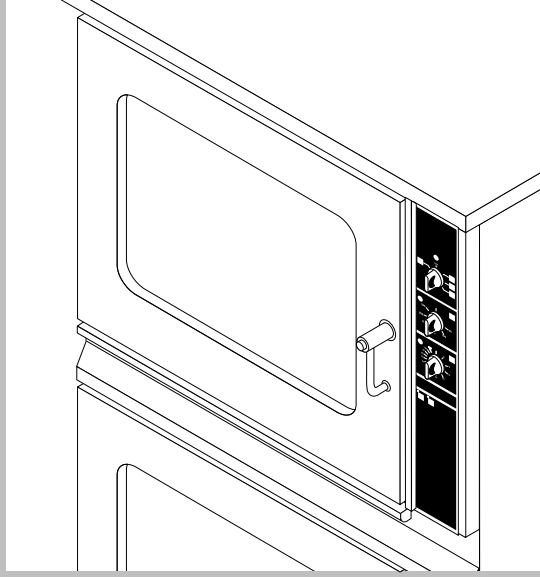


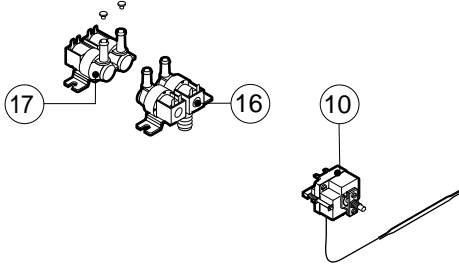
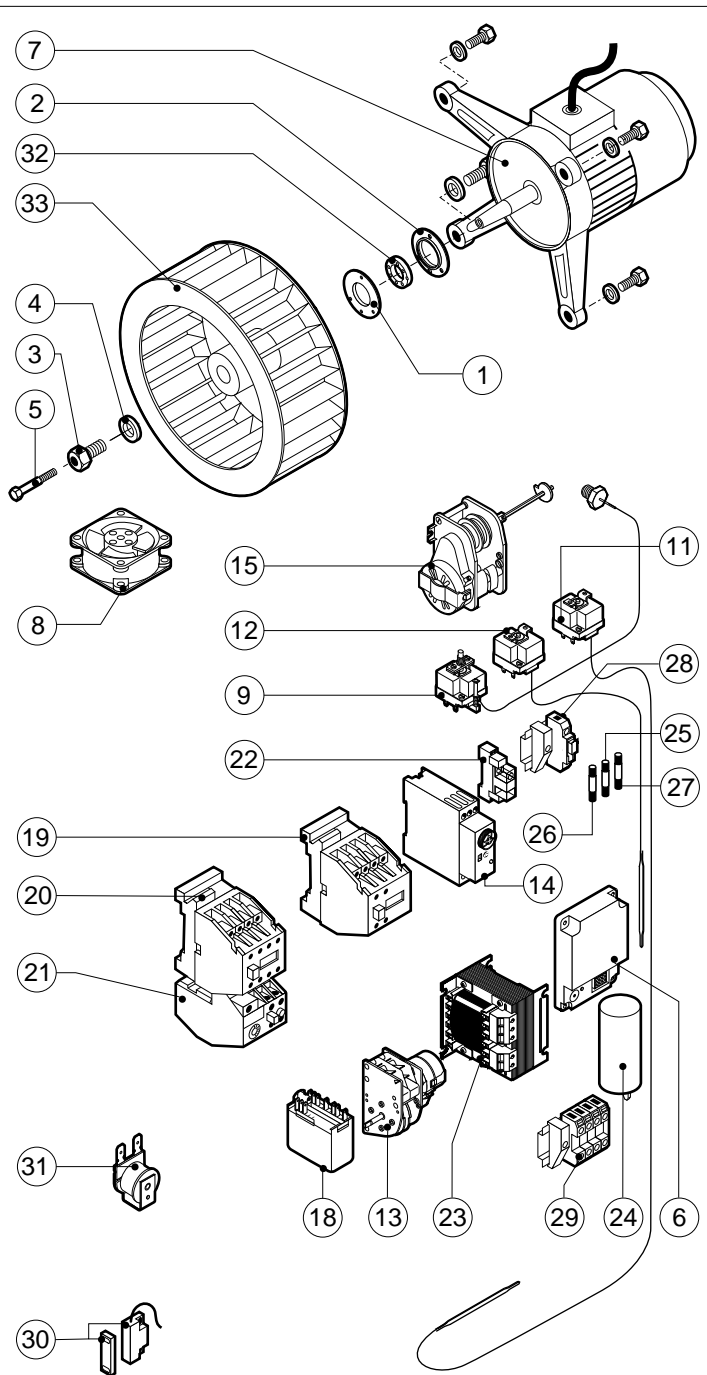
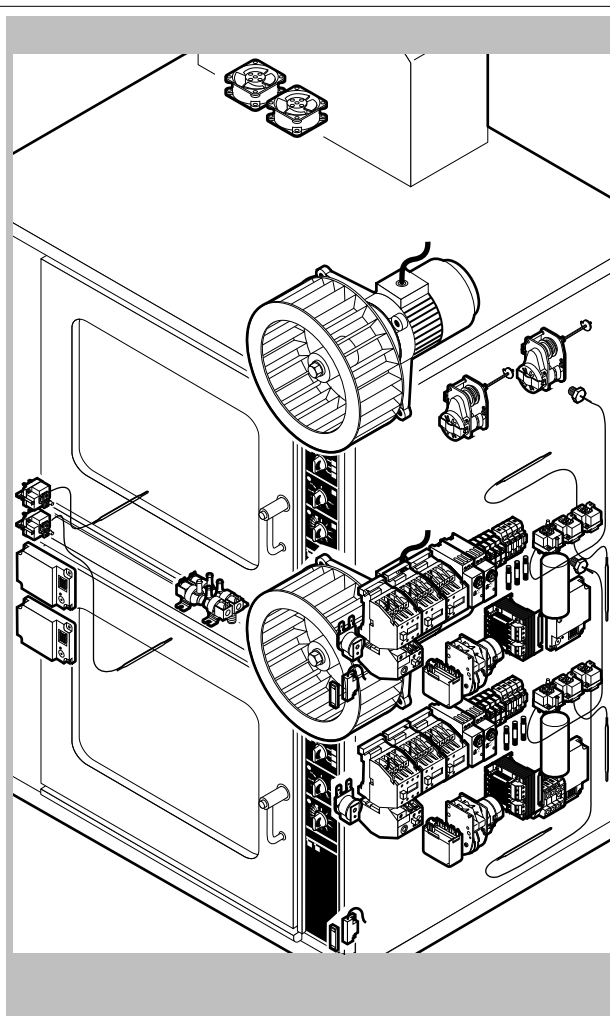
POS.	CODE	PIECES	DESCRIPTION
1	R10100820	2	DOOR ASSEMBLY
2	R10105430	2	CONTROL PANEL WITH PLATE
3	R10207230	2	COOKING CABINET ASSEMBLY
4	R10200460	1	COVER PANEL
5	R10220050	1	FRONT LEFT PANEL
6	R10207300	2	FAN GUARD PANEL ASSEMBLY
7	R10220220	1	UPPER RIGHT SIDE PANEL
8	R10220230	1	LOWER RIGHT SIDE PANEL
9	R10220240	1	LEFT SIDE PANEL
10	R10220250	1	REAR PANEL
11	R58003100	4	FAN GUARD FASTENING SCREW
12	R69070070	4	FOOT 1"1/4x120
13	R70041100	2	FRONT GASKET
14	R75300090	2	FAN GUARD GRID Ø 350

POS.	CODE	PIECES	DESCRIPTION



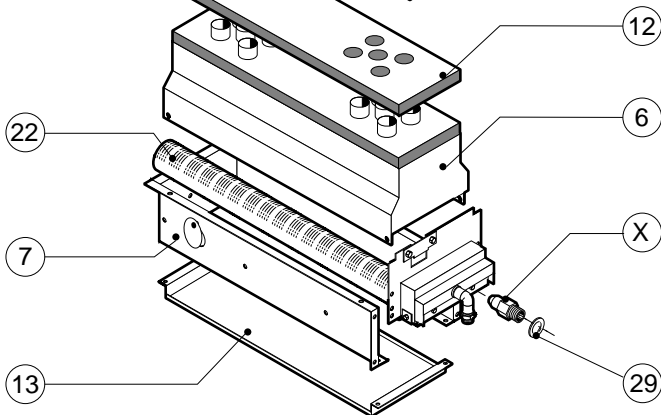
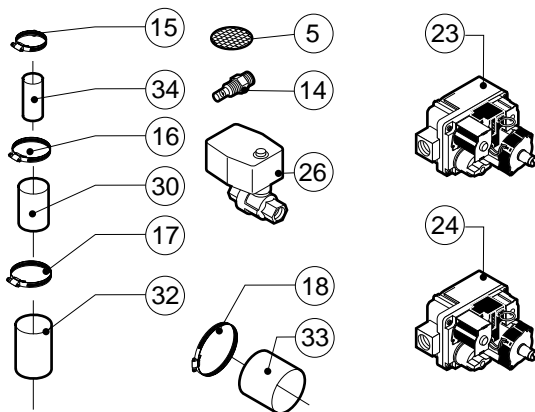
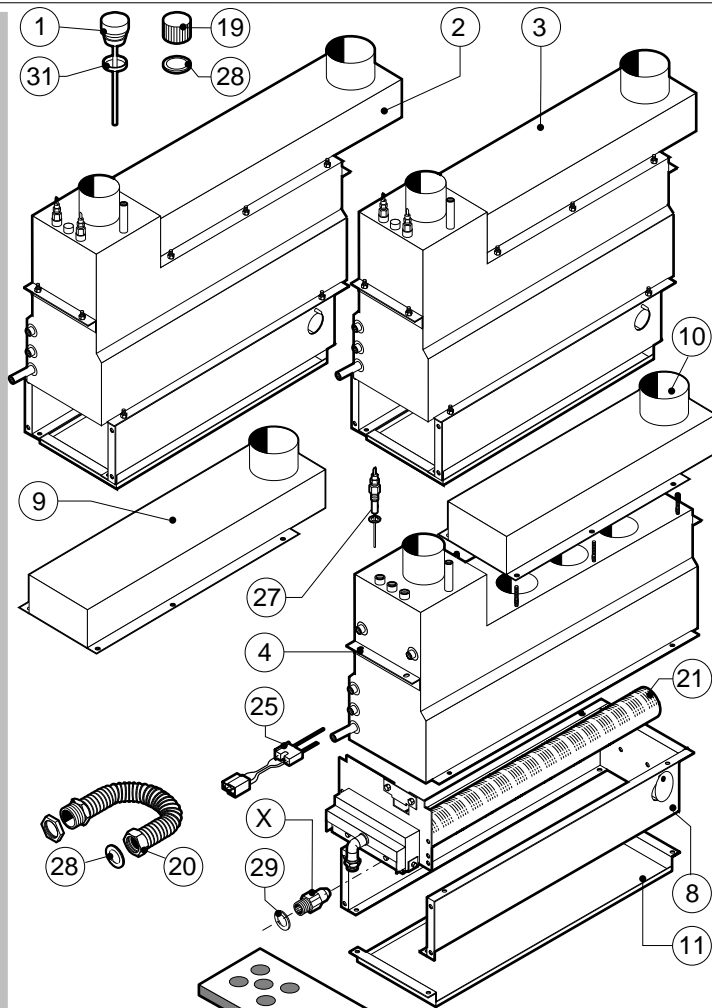
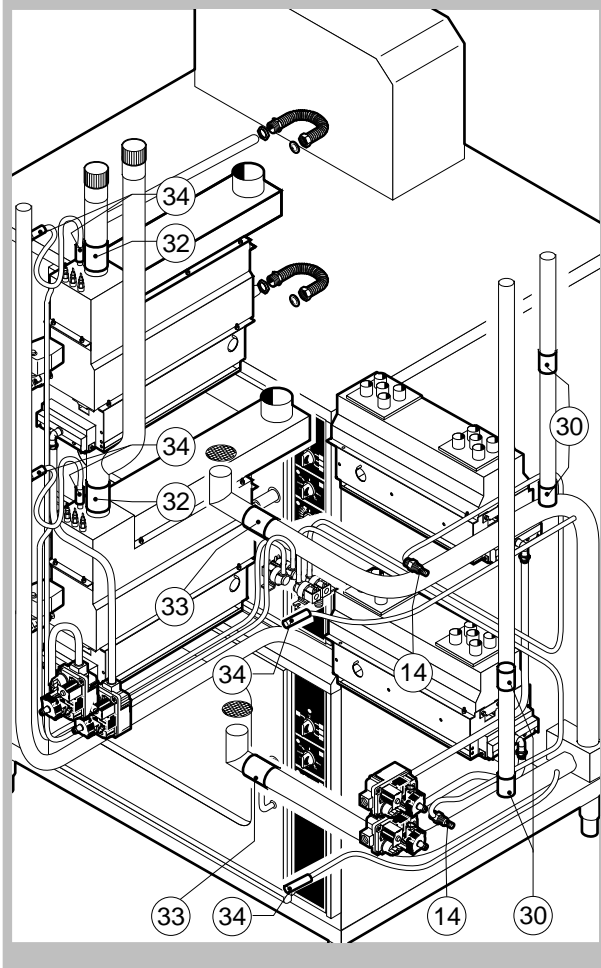
POS.	CODE	PIECES	DESCRIPTION
1	R09200230	2	DOOR HANDLE
2	R10100110	2	PRONG FLANGE
3	R10201240	2	LOWER DOOR HINGE
4	R10201290	2	UPPER DOOR HINGE
5	R10220060	2	DOOR
6	R10401710	2	WASHER FOR UPPER DOOR HINGE
7	R10450880	2	INNER DOOR PANEL
8	R58002150	2	HINGE PIN
9	R58002160	2	DOOR HANDLE PRONG PIN
10	R58002760	2	DOOR HANDLE PRONG COUPLER
11	R58003240	2	DOOR HANDLE BUTTON ROD
12	R58004050	2	NUT FOR UPPER DOOR HINGE
13	R58004270	2	DOOR HANDLE SPACER
14	R58004830	2	RING NUT M18x1
15	R58005050	2	DOOR HANDLE PRONG
16	R58005340	2	DOOR HANDLE LOWER INSULATION WASHER
17	R58005350	2	DOOR HANDLE UPPER INSULATION WASHER
18	R61620012	2	DOOR HANDLE CATCH SPRING
19	R61620041	2	DOOR HANDLE BUTTON SPRING

POS.	CODE	PIECES	DESCRIPTION
20	R69015000	2	DOOR HANDLE ASSEMBLY
21	R69031190	2	DOOR HANDLE PUSH BUTTON
22	R70040650	4	GLASS GASKET
23	R70042140	2	DOOR GASKET
24	R71105010	2	DOUBLE GLAZED GLASS



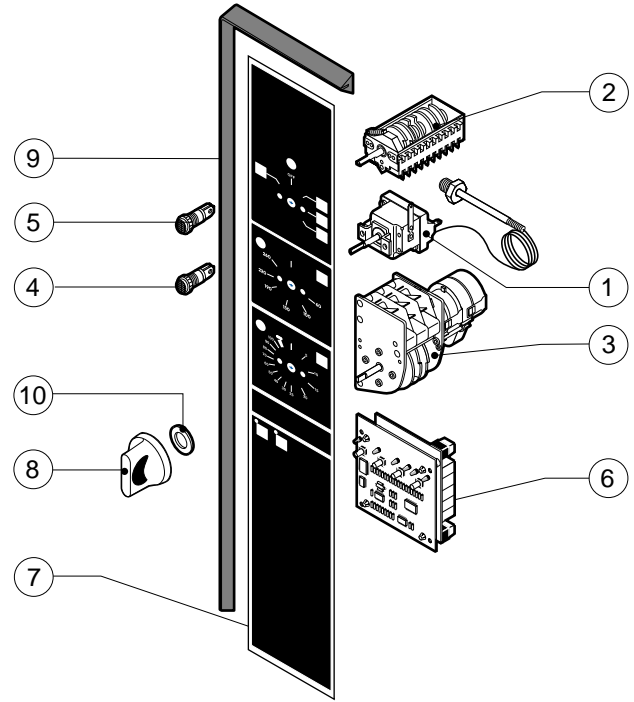
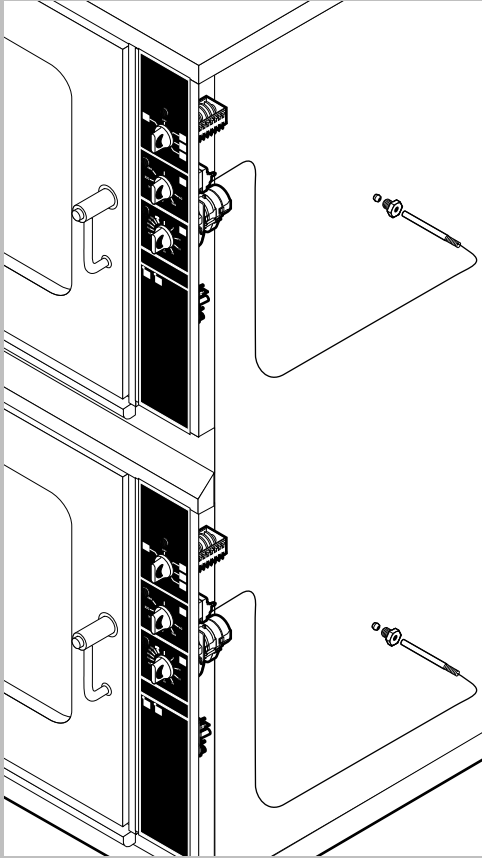
POS.	CODE	PIECES	DESCRIPTION
1	R58003840	2	MOTOR GASKET BRASS FLANGE
2	R58003850	2	MOTOR GASKET BRASS COUNTER FLANGE
3	R58004000	2	FAN SCREW M12x1.5 SX
4	R58004010	2	FAN WASHER Ø 30/12.5
5	R61020562	2	FAN SCREW TE A2 M6x55
6	R63060090	4	BURNER IGNITION PANEL WR 50A72-418
7	R65040440	2	MOTOR HP 1 KIT
8	R65060010	2	COMPONENTS VENTILATION MOTOR Ø 80
9	R65070075	2	CHAMBER SAFETY THERMOSTAT
10	R65070080	2	STEAM GENERATOR SAFETY THERMOSTAT
11	R65070165	2	THERMOSTAT 65°C
12	R65070240	2	THERMOSTAT 70°C
13	R65090180	2	REVERSING SWITCH 8'
14	R65090450	4	IGNITION DELAY TIMER
15	R65095010	2	DAMPER SYSTEM
16	R65115020	1	SOLENOID VALVE 220V 60HZ
17	R65115090	1	SOLENOID VALVE 220V 60HZ WITH 2 FLOW REDUCER
18	R65120010	2	LEVEL REGULATOR
19	R65140140	4	CONTACTOR 3TF4011-OAN2 220V

POS.	CODE	PIECES	DESCRIPTION
20	R65140160	2	CONTACTOR 3TF4022-OAN2 220V
21	R65160180	2	THERMIC PROTECTION 3UA5000-1J 6.3-10A
22	R65170050	12	RELAY 4052 240V AC 10A
23	R65180900	2	AUTOTRANSFORMER 400VA
24	R65190070	2	CAPACITOR 40 µF
25	R65200120	2	FUSE 0.1A (T)
26	R65200230	4	FUSE 4A
27	R65200240	2	FUSE 5A
28	R65210020	8	FUSE CARRIER
29	R65220090	1	TERMINAL BOARD
30	R65265100	2	DOOR SWITCH
31	R65330010	2	BUZZER
32	R70020050	2	MOTOR GASKET
33	R75400370	2	FAN Ø 350x120/16 60HZ P.D. KIT



POS.	CODE	PIECES	DESCRIPTION
1	R10100140	2	DAMPER SYSTEM CAP
2	R10102330	1	LOWER STEAM GENERATOR ASSEMBLY
3	R10102400	1	UPPER STEAM GENERATOR ASSEMBLY
4	R10200980	2	STEAM GENERATOR
5	R10201710	2	DRAIN FILTER
6	R10202420	2	COMBUSTION CABINET
7	R10202520	2	CABINET BURNERS SUPPORT
8	R10202590	2	STEAM GENERATOR SUPPORT
9	R10220100	1	LOWER STEAM GENERATOR GAS FLUE PIPE
10	R10220110	1	UPPER STEAM GENERATOR GAS FLUE PIPE
11	R10403800	2	STEAM GENERATOR BURNERS PROTECTION PLATE
12	R10408650	2	COMBUSTION CABINET INSULATION PLATE
13	R10450900	2	CHAMBER BURNERS PROTECTION PLATE
14	R58006100	2	STEAM QUENCHING NOZZLE Ø 1.5
15	R61630011	20	METAL CLAMPS 12-22/9
16	R61630021	4	METAL CLAMPS 30-45/9
17	R61630031	8	METAL CLAMPS 40-60/9
18	R61630041	4	METAL CLAMPS 70-90/9
19	R62100051	2	STEAM GENERATOR DESCALING CAP 3/4" F

POS.	CODE	PIECES	DESCRIPTION
20	R62180022	2	FLEXIBLE STEEL PIPE Ø 20x3/4" ASSEMBLY
21	R63016080	2	STEAM GENERATOR BURNER ASSEMBLY
22	R63016090	2	CHAMBER BURNER ASSEMBLY
23	R63020120	4	GAS VALVE WR 36E96A-301 NATURAL GAS
24	R63020130	4	GAS VALVE WR 36E96A-302 PROPAN GAS
25	R63050050	4	IGNITOR/SENSOR WR 768A200
26	R65110540	2	STEAM GENERATOR DRAIN MOTORIZED VALVE
27	R65320010	4	STEAM GENERATOR LEVEL PROBE
28	R70030050	4	GASKET Ø 16x24 3/4"
29	R70030090	8	NOZZLE GASKET
30	R70060010	4	SILICON COUPLING Ø 30
31	R70060020	2	DAMPER SYSTEM CAP GASKET
32	R70060030	2	SILICON COUPLING Ø 40
33	R70060040	2	SILICON COUPLING Ø 50
34	R70060060	6	SILICON COUPLING Ø 15
X		4	NOZZLE (See service manual)
X		4	NOZZLE (See service manual)



POS.	CODE	PIECES	DESCRIPTION
1	R65070210	2	CABINET THERMOSTAT 50/270°C
2	R65080020	2	MAIN SELECTOR SWITCH
3	R65090200	2	TIMER
4	R65270220	4	ORANGE INDICATING LIGHT
5	R65270230	2	GREEN INDICATING LIGHT
6	R65300560	2	CONTROL PANEL P.C. BOARD
7	R67200570	2	CLEVELAND PLATE
8	R69030080	6	KNOB KIT
9	R70040910	2	CONTROL PANEL GASKET
10	R70050020	12	KNOB GASKET

POS.	CODE	PIECES	DESCRIPTION