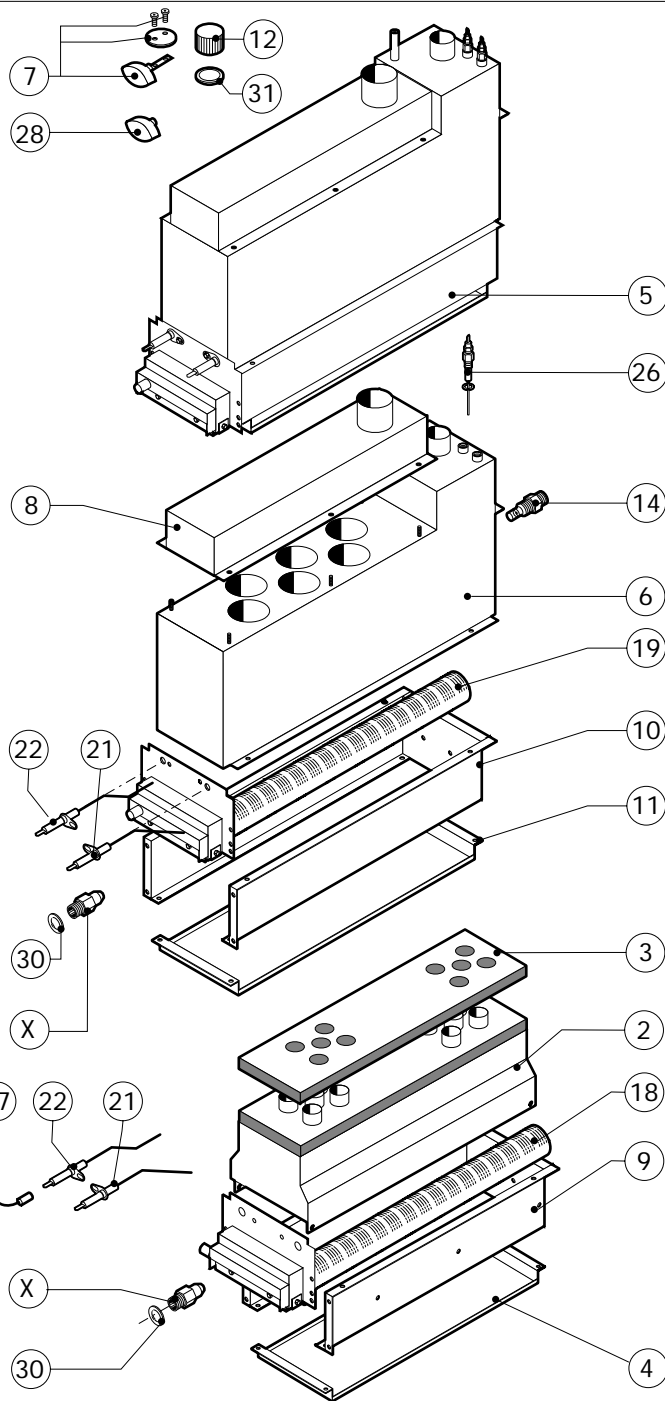
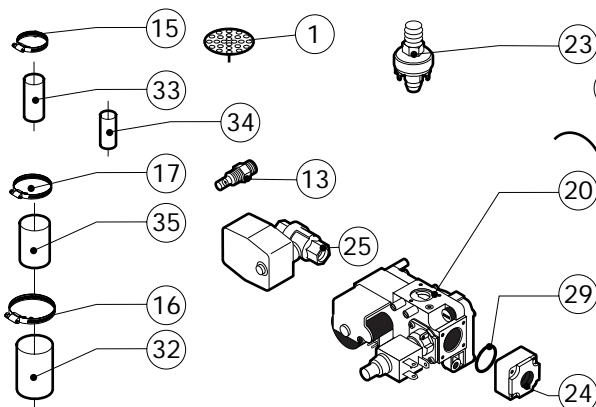
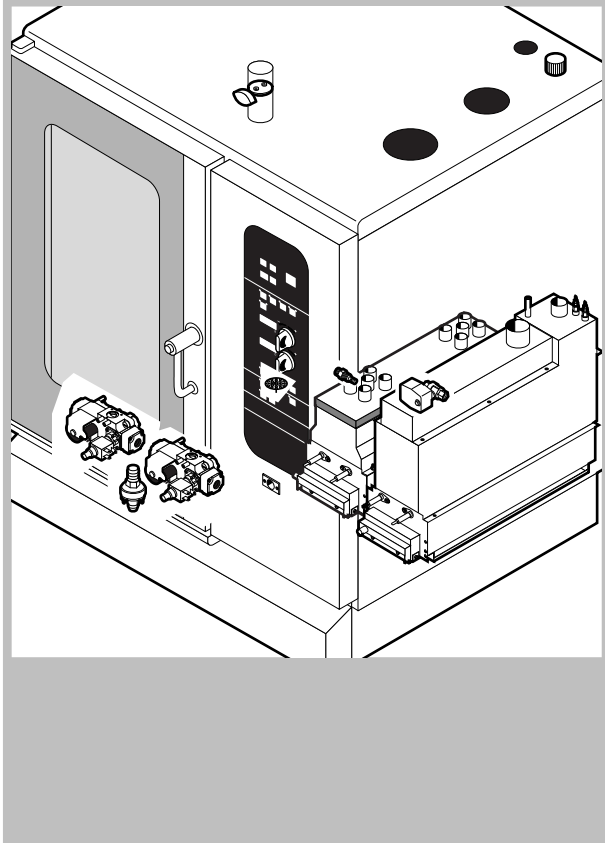


POS.	CODE	PIECES	DESCRIPTION
1	R58003840	1	MOTOR GASKET BRASS FLANGE
2	R58003850	1	MOTOR GASKET BRASS COUNTER FLANGE
3	R58004000	1	FAN SCREW M12x1.5 SX
4	R58004010	1	FAN WASHER Ø 30/12.5
5	R61020562	1	FAN SCREW TE A2 M6x55
6	R63060100	2	BURNER IGNITION PANEL
7	R65040031	1	MOTOR HP 1/0.3 KIT
8	R65060050	1	COMPONENTS VENTILATION MOTOR Ø 120
9	R65070070	1	CHAMBER SAFETY THERMOSTAT
10	R65070080	1	STEAM GENERATOR SAFETY THERMOSTAT
11	R65110040	1	SOLENOID VALVE 220V 50HZ
12	R65115000	1	SOLENOID VALVE 220V 50HZ WITH FLOW REDUCER
13	R65140150	4	CONTACTOR 3TF4011-OAUO 240V
14	R65160120	1	THERMIC PROTECTION 3UA5000-1C 1.6-2.5A
15	R65160130	1	THERMIC PROTECTION 3UA5000-1F 3.2-5A
16	R65180430	1	TRANSFORMER 40VA
17	R65180650	1	TRANSFORMER 23VA
18	R65190030	1	CAPACITOR 16 µF
19	R65190090	1	CAPACITOR 12.5 µF

POS.	CODE	PIECES	DESCRIPTION
20	R65200200	1	FUSE 2A
21	R65200320	1	FUSE 0.2A (T)
22	R65200350	1	FUSE 0.4A (T)
23	R65210020	3	FUSE CARRIER
24	R65220220	1	TERMINAL BOARD
25	R65260540	1	DOOR SWITCH
26	R65280210	1	INTERFERENCE SUPPRESSOR
27	R65280450	1	FERRITE
28	R65325000	3	PROBE PT100
29	R65330020	1	BUZZER
30	R70020050	1	MOTOR GASKET
31	R75400290	1	FAN Ø 300x120/20 50HZ P.D. KIT"GM 010 H



POS.	CODE	PIECES	DESCRIPTION
1	R10201700	1	DRAIN FILTER
2	R10202410	1	COMBUSTION CABINET
3	R10406250	1	COMBUSTION CABINET INSULATION PLATE
4	R10406980	1	CHAMBER BURNERS PROTECTION PLATE
5	R14100510	1	STEAM GENERATOR ASSEMBLY
6	R14201130	1	STEAM GENERATOR
7	R14201410	1	STEAM OUTLET THROTTLE ASSEMBLY
8	R14202080	1	STEAM GENERATOR GAS FLUE PIPE
9	R14202310	1	CABINET BURNERS SUPPORT
10	R14202370	1	STEAM GENERATOR SUPPORT
11	R14405470	1	STEAM GENERATOR BURNERS PROTECTION PLATE
12	R58005680	1	STEAM GENERATOR DESCALING CAP 1"1/4 F
13	R58006100	1	STEAM QUENCHING NOZZLE Ø 1.5
14	R58006110	1	STEAM GENERATOR FLUSHING NOZZLE
15	R61630011	12	METAL CLAMPS 12-22/9
16	R61630031	2	METAL CLAMPS 40-60/9
17	R61630081	2	METAL CLAMPS 20-32/9
18	R63016520	1	CHAMBER BURNER ASSEMBLY
19	R63016530	1	STEAM GENERATOR BURNER ASSEMBLY
20	R63020160	2	GAS SOLENOID VALVE

POS.	CODE	PIECES	DESCRIPTION
21	R63050340	2	IGNITOR
22	R63050350	2	SENSOR
23	R63070010	1	GAS SAFETY PRESSURE SWITCH PG 901.61
24	R63080040	4	STRAIGHT FLANGE 1/2"
25	R65110540	1	STEAM GENERATOR DRAIN MOTORIZED VALVE
26	R65320010	2	STEAM GENERATOR LEVEL PROBE
27	R66605900	4	FLAME IGNITION CABLE/FLAME SENSOR CABLE
28	R69010410	1	STEAM OUTLET KNOB
29	R70010070	4	RING
30	R70030090	4	NOZZLE GASKET
31	R70050040	1	STEAM GENERATOR CAP GASKET
32	R70060030	1	SILICON COUPLING Ø 40
33	R70060070	1	SILICON COUPLING Ø 15
34	R70060080	1	SILICON COUPLING Ø 13
35	R70060090	2	SILICON COUPLING Ø 25
X		2	NOZZLE (See service manual)
X		2	NOZZLE (See service manual)

