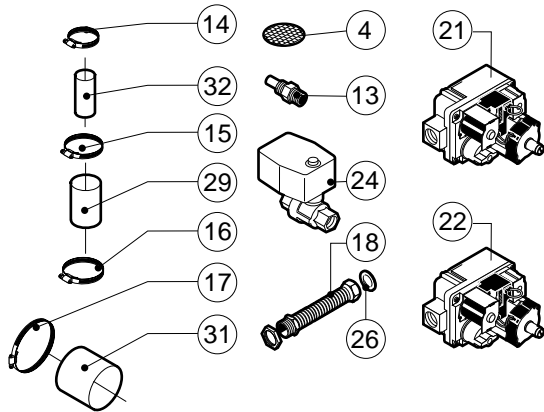
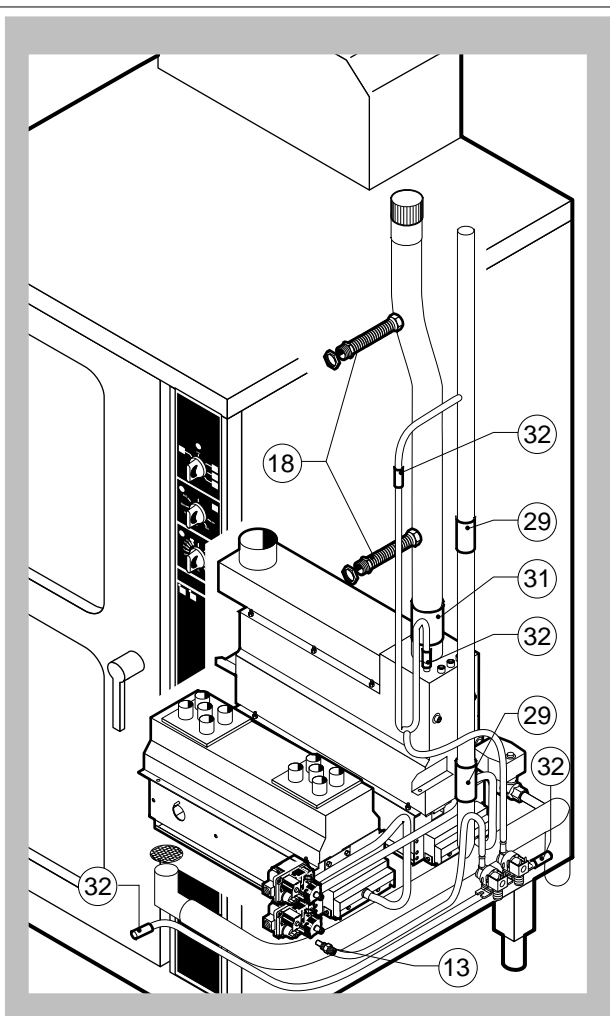
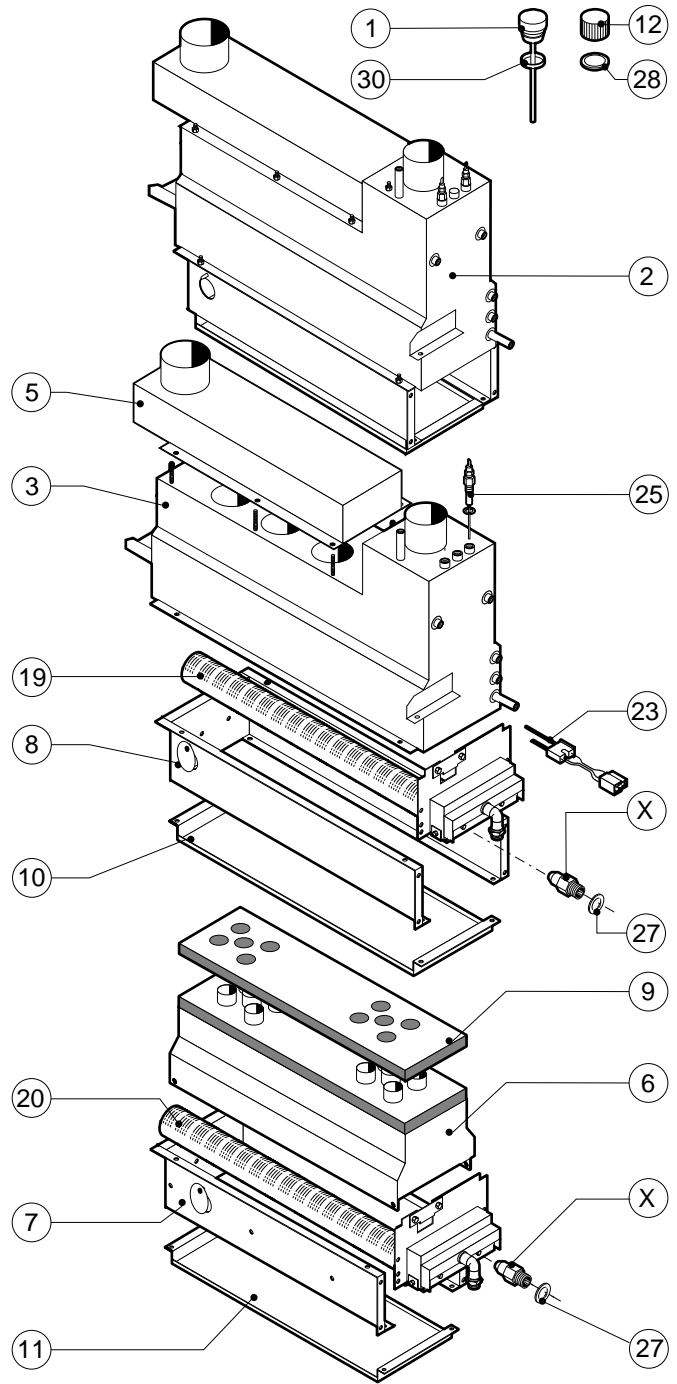


POS.	CODE	PIECES	DESCRIPTION
1	R58003840	2	MOTOR GASKET BRASS FLANGE
2	R58003850	2	MOTOR GASKET BRASS COUNTER FLANGE
3	R58004000	2	FAN SCREW M12x1.5 SX
4	R58004010	2	FAN WASHER Ø 30/12.5
5	R61020562	2	FAN SCREW TE A2 M6x55
6	R63060090	2	BURNER IGNITION PANEL WR 50A72-418
7	R65040440	2	MOTOR HP 1 KIT
8	R65060010	2	COMPONENTS VENTILATION MOTOR Ø 80
9	R65070075	1	CHAMBER SAFETY THERMOSTAT
10	R65070080	1	STEAM GENERATOR SAFETY THERMOSTAT
11	R65070165	1	THERMOSTAT 65°C
12	R65070240	1	THERMOSTAT 70°C
13	R65090180	1	REVERSING SWITCH 8'
14	R65090450	2	IGNITION DELAY TIMER
15	R65095010	1	DAMPER SYSTEM
16	R65110120	1	SOLENOID VALVE 220V 60HZ
17	R65115080	1	SOLENOID VALVE 220V 60HZ WITH FLOW REDUCER
18	R65120010	1	LEVEL REGULATOR
19	R65140140	1	CONTACTOR 3TF4011-OAN2 220V

POS.	CODE	PIECES	DESCRIPTION
20	R65140160	1	CONTACTOR 3TF4022-OAN2 220V
21	R65140230	2	CONTACTOR 3TF4211-OAN2 220V
22	R65160180	2	THERMIC PROTECTION 3UA5000-1J 6.3-10A
23	R65170050	6	RELAY 4052 240V AC 10A
24	R65180900	1	AUTOTRANSFORMER 400VA
25	R65190070	2	CAPACITOR 40 µF
26	R65200120	1	FUSE 0.1A (T)
27	R65200230	2	FUSE 4A
28	R65200240	1	FUSE 5A
29	R65210020	4	FUSE CARRIER
30	R65220090	1	TERMINAL BOARD
31	R65265100	1	DOOR SWITCH
32	R65330010	1	BUZZER
33	R70020050	2	MOTOR GASKET
34	R75400280	2	FAN Ø 300x120/16 60HZ P.D. KIT



POS.	CODE	PIECES	DESCRIPTION
1	R10100140	1	DAMPER SYSTEM CAP
2	R10102150	1	STEAM GENERATOR ASSEMBLY
3	R10201000	1	STEAM GENERATOR
4	R10201710	1	DRAIN FILTER
5	R10202120	1	STEAM GENERATOR GAS FLUE PIPE
6	R10202410	1	COMBUSTION CABINET
7	R10202530	1	CABINET BURNERS SUPPORT
8	R10202600	1	STEAM GENERATOR SUPPORT
9	R10406250	1	COMBUSTION CABINET INSULATION PLATE
10	R10409400	1	STEAM GENERATOR BURNERS PROTECTION PLATE
11	R10411650	1	CHAMBER BURNERS PROTECTION PLATE
12	R58005680	1	STEAM GENERATOR DESCALING CAP 1"1/4 F
13	R58006080	1	STEAM QUENCHING NOZZLE Ø 2
14	R61630011	12	METAL CLAMPS 12-22/9
15	R61630021	2	METAL CLAMPS 30-45/9
16	R61630031	2	METAL CLAMPS 40-60/9
17	R61630041	4	METAL CLAMPS 70-90/9
18	R62180022	2	FLEXIBLE STEEL PIPE Ø 20x3/4" ASSEMBLY
19	R63016100	1	STEAM GENERATOR BURNER ASSEMBLY



POS.	CODE	PIECES	DESCRIPTION
20	R63016110	1	CHAMBER BURNER ASSEMBLY
21	R63020120	2	GAS VALVE WR 36E96A-301 NATURAL GAS
22	R63020130	2	GAS VALVE WR 36E96A-302 PROPAN GAS
23	R63050050	2	IGNITOR/SENSOR WR 768A200
24	R65110540	1	STEAM GENERATOR DRAIN MOTORIZED VALVE
25	R65320010	2	STEAM GENERATOR LEVEL PROBE
26	R70030050	2	GASKET Ø 16x24 3/4"
27	R70030090	4	NOZZLE GASKET
28	R70050040	1	STEAM GENERATOR CAP GASKET
29	R70060010	2	SILICON COUPLING Ø 30
30	R70060020	1	DAMPER SYSTEM CAP GASKET
31	R70060040	1	SILICON COUPLING Ø 50
32	R70060060	4	SILICON COUPLING Ø 15
X		2	NOZZLE (See service manual)
X		2	NOZZLE (See service manual)

