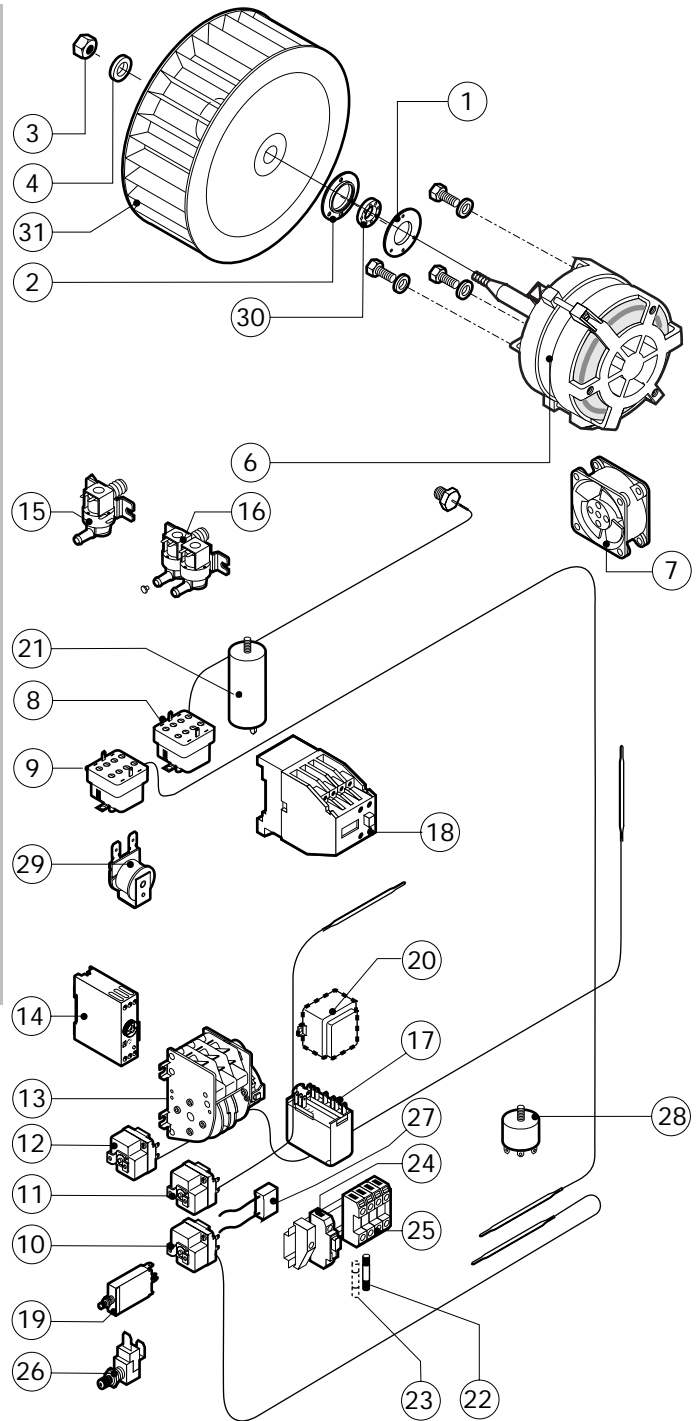
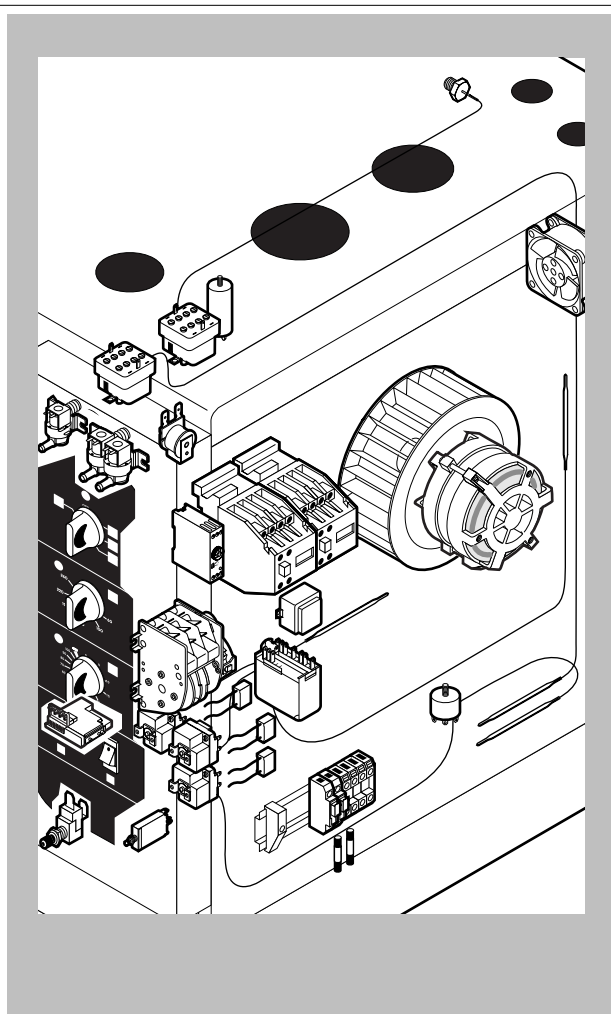


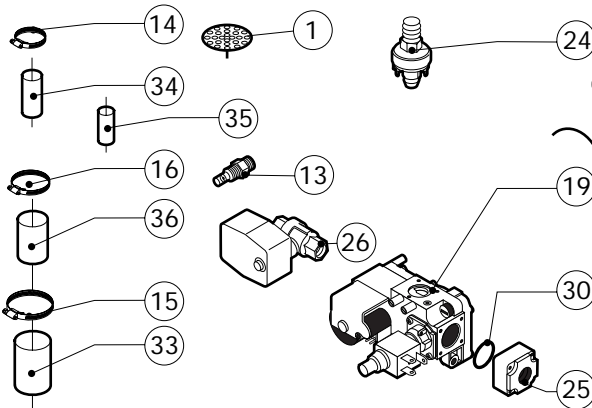
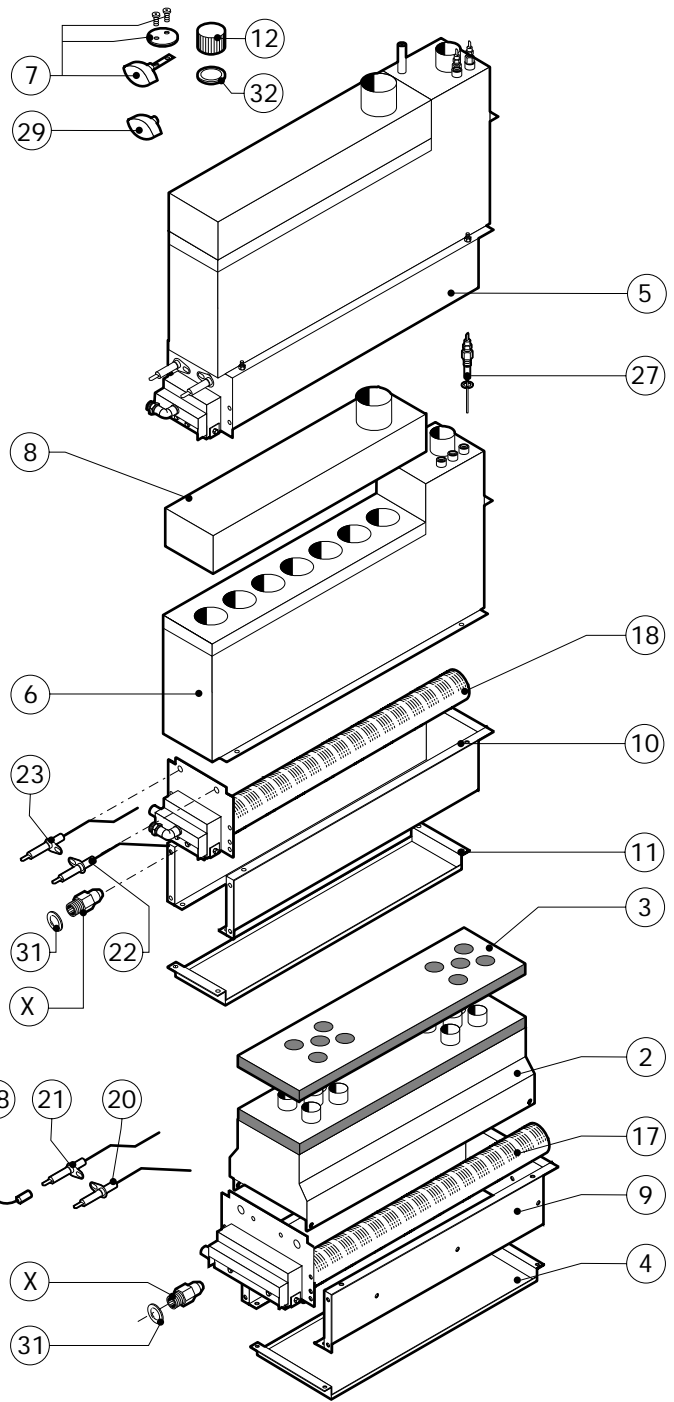
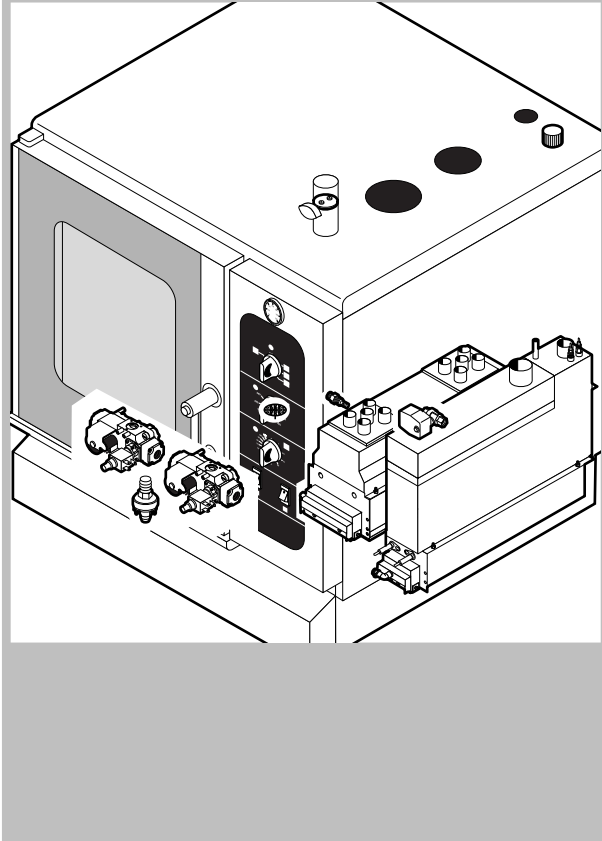
| POS. | CODE | PIECES | DESCRIPTION |
|------|-----------|--------|---------------------------|
| 1 | R10206470 | 1 | SPRITZER EXTENSION |
| 2 | R10206540 | 1 | SPRITZER UNION |
| 3 | R14100200 | 1 | DOOR ASSEMBLY |
| 4 | R14100300 | 1 | DOOR ASSEMBLY WITH LIGHTS |
| 5 | R14200020 | 1 | COOKING CABINET ASSEMBLY |
| 6 | R14200380 | 1 | COVER PANEL |
| 7 | R14200850 | 1 | FAN GUARD PANEL ASSEMBLY |
| 8 | R14201450 | 1 | RIGHT SIDE PANEL |
| 9 | R14201460 | 1 | LEFT SIDE PANEL |
| 10 | R14201600 | 1 | REAR PANEL |
| 11 | R14401390 | 1 | CONTROL PANEL |
| 12 | R58006400 | 4 | FAN GUARD FASTENING SCREW |
| 13 | R70042860 | 1 | FRONT GASKET |
| 14 | R75300020 | 1 | FAN GUARD GRID Ø 120 |
| 15 | R75300030 | 1 | FAN GUARD GRID Ø 190 |
| | | | |
| | | | |
| | | | |
| | | | |

| POS. | CODE | PIECES | DESCRIPTION |
|------|------|--------|-------------|
| | | | |
| | | | |
| | | | |
| | | | |
| | | | |
| | | | |
| | | | |
| | | | |
| | | | |
| | | | |
| | | | |
| | | | |
| | | | |
| | | | |



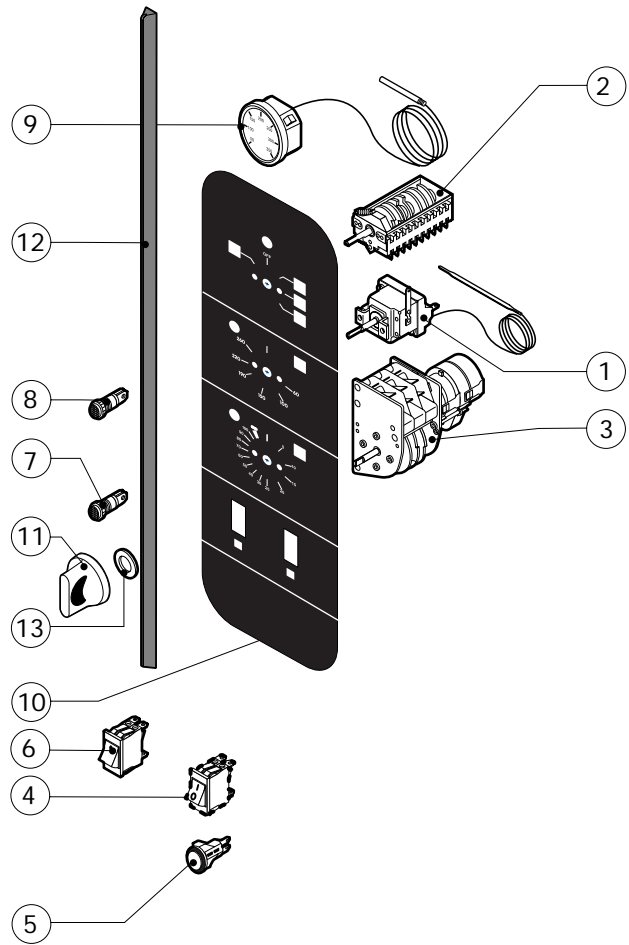
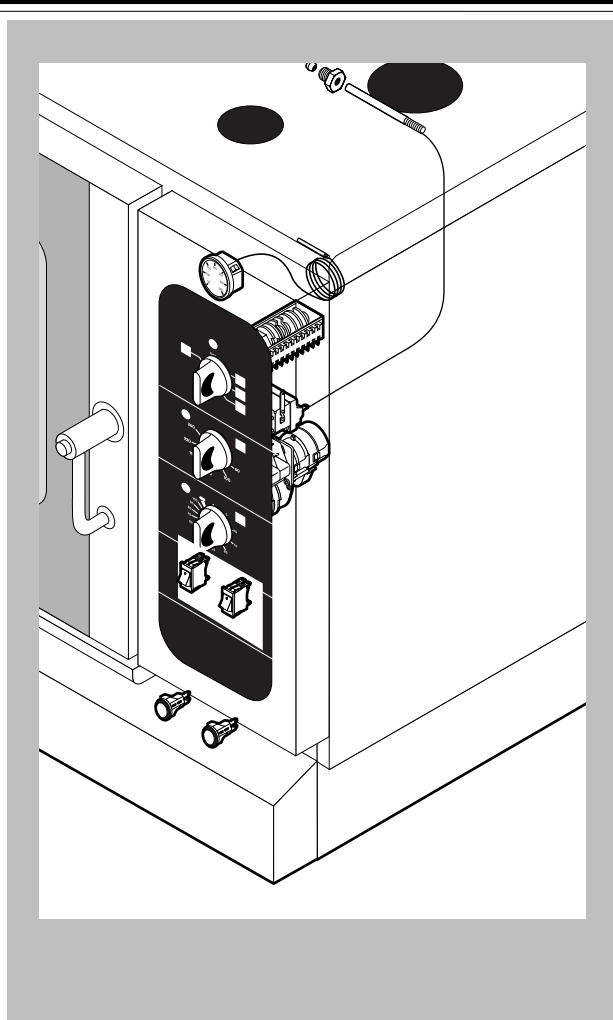
| POS. | CODE | PIECES | DESCRIPTION |
|------|-----------|--------|--|
| 1 | R58003860 | 1 | MOTOR GASKET BRASS FLANGE |
| 2 | R58003870 | 1 | MOTOR GASKET BRASS COUNTER FLANGE |
| 3 | R58004020 | 1 | FAN SECURITY NUT M10 SX |
| 4 | R61400052 | 1 | FAN WASHER Ø 21/10.5 |
| 5 | R63060100 | 2 | BURNER IGNITION PANEL |
| 6 | R65040420 | 1 | MOTOR 0.37 KW KIT |
| 7 | R65060050 | 1 | COMPONENTS VENTILATION MOTOR Ø 120 |
| 8 | R65070070 | 1 | CHAMBER SAFETY THERMOSTAT |
| 9 | R65070080 | 1 | STEAM GENERATOR SAFETY THERMOSTAT |
| 10 | R65070100 | 1 | THERMOSTAT 55°C |
| 11 | R65070165 | 1 | THERMOSTAT 65°C |
| 12 | R65070240 | 1 | THERMOSTAT 70°C |
| 13 | R65090190 | 1 | REVERSING SWITCH 8' |
| 14 | R65090480 | 1 | S.GENERATOR DRAIN TIMER |
| 15 | R65110010 | 1 | SOLENOID VALVE 220V 50HZ |
| 16 | R65115000 | 1 | SOLENOID VALVE 220V 50HZ WITH FLOW REDUCER |
| 17 | R65120010 | 1 | LEVEL REGULATOR |
| 18 | R65140150 | 2 | CONTACTOR 3TF4011-OAUO 240V |
| 19 | R65160310 | 1 | TERMIC PROTECTION T12-2115-2.5A |

| POS. | CODE | PIECES | DESCRIPTION |
|------|-----------|--------|-------------------------------|
| 20 | R65180420 | 1 | TRANSFORMER 20VA |
| 21 | R65190180 | 1 | CAPACITOR 10 µF |
| 22 | R65200200 | 1 | FUSE 2A |
| 23 | R65200320 | 1 | FUSE 0.2A (T) |
| 24 | R65210020 | 2 | FUSE CARRIER |
| 25 | R65220220 | 1 | TERMINAL BOARD |
| 26 | R65260540 | 1 | DOOR SWITCH |
| 27 | R65280130 | 3 | INTERFERENCE SUPPRESSOR |
| 28 | R65280210 | 1 | INTERFERENCE SUPPRESSOR |
| 29 | R65330010 | 1 | BUZZER |
| 30 | R70020040 | 1 | MOTOR GASKET |
| 31 | R75400400 | 1 | FAN Ø 220x78/12 50HZ P.D. KIT |
| | | | |
| | | | |
| | | | |
| | | | |
| | | | |
| | | | |
| | | | |
| | | | |
| | | | |
| | | | |
| | | | |



| POS. | CODE | PIECES | DESCRIPTION |
|------|-----------|--------|--|
| 1 | R10201700 | 1 | DRAIN FILTER |
| 2 | R10202400 | 1 | COMBUSTION CABINET |
| 3 | R10402390 | 1 | COMBUSTION CABINET INSULATION PLATE |
| 4 | R10403790 | 1 | CHAMBER BURNERS PROTECTION PLATE |
| 5 | R14100500 | 1 | STEAM GENERATOR ASSEMBLY |
| 6 | R14201120 | 1 | STEAM GENERATOR |
| 7 | R14201410 | 1 | STEAM OUTLET THROTTLE ASSEMBLY |
| 8 | R14202070 | 1 | STEAM GENERATOR GAS FLUE PIPE |
| 9 | R14202300 | 1 | CABINET BURNERS SUPPORT |
| 10 | R14202360 | 1 | STEAM GENERATOR SUPPORT |
| 11 | R14402610 | 1 | STEAM GENERATOR BURNERS PROTECTION PLATE |
| 12 | R58005680 | 1 | STEAM GENERATOR DESCALING CAP 1"1/4 F |
| 13 | R58006090 | 1 | STEAM QUENCHING NOZZLE Ø 1 |
| 14 | R61630011 | 10 | METAL CLAMPS 12-22/9 |
| 15 | R61630031 | 2 | METAL CLAMPS 40-60/9 |
| 16 | R61630081 | 2 | METAL CLAMPS 20-32/9 |
| 17 | R63016500 | 1 | CHAMBER BURNER ASSEMBLY |
| 18 | R63016510 | 1 | STEAM GENERATOR BURNER ASSEMBLY |
| 19 | R63020160 | 2 | GAS SOLENOID VALVE |
| 20 | R63050300 | 1 | IGNITOR |

| POS. | CODE | PIECES | DESCRIPTION |
|------|-----------|--------|---|
| 21 | R63050310 | 1 | SENSOR |
| 22 | R63050320 | 1 | IGNITOR |
| 23 | R63050330 | 1 | SENSOR |
| 24 | R63070010 | 1 | GAS SAFETY PRESSURE SWITCH PG 901.61 |
| 25 | R63080040 | 4 | STRAIGHT FLANGE 1/2" |
| 26 | R65110540 | 1 | STEAM GENERATOR DRAIN MOTORIZED VALVE |
| 27 | R65320010 | 2 | STEAM GENERATOR LEVEL PROBE |
| 28 | R66605900 | 4 | FLAME IGNITION CABLE/FLAME SENSOR CABLE |
| 29 | R69010410 | 1 | STEAM OUTLET KNOB |
| 30 | R70010070 | 4 | RING |
| 31 | R70030090 | 3 | NOZZLE GASKET |
| 32 | R70050040 | 1 | STEAM GENERATOR CAP GASKET |
| 33 | R70060030 | 1 | SILICON COUPLING Ø 40 |
| 34 | R70060070 | 1 | SILICON COUPLING Ø 15 |
| 35 | R70060080 | 1 | SILICON COUPLING Ø 13 |
| 36 | R70060090 | 2 | SILICON COUPLING Ø 25 |
| X | | 2 | NOZZLE (See service manual) |
| X | | 2 | NOZZLE (See service manual) |



| POS. | CODE | PIECES | DESCRIPTION |
|------|-----------|--------|-----------------------------|
| 1 | R65070210 | 1 | CABINET THERMOSTAT 50/270°C |
| 2 | R65080020 | 1 | MAIN SELECTOR SWITCH |
| 3 | R65090200 | 1 | TIMER |
| 4 | R65260050 | 1 | SWITCH |
| 5 | R65260480 | 2 | UNIPOLAR PUSH BUTTON |
| 6 | R65260510 | 1 | HUMIDIFIER PUSH BUTTON |
| 7 | R65270220 | 2 | ORANGE INDICATING LIGHT |
| 8 | R65270230 | 1 | GREEN INDICATING LIGHT |
| 9 | R65340050 | 1 | THERMOMETER |
| 10 | R67401000 | 1 | MARENO PLATE |
| 11 | R69030170 | 3 | KNOB KIT |
| 12 | R70042960 | 1 | CONTROL PANEL GASKET |
| 13 | R70050020 | 6 | KNOB GASKET |
| | | | |
| | | | |
| | | | |
| | | | |
| | | | |
| | | | |
| | | | |
| | | | |
| | | | |

| POS. | CODE | PIECES | DESCRIPTION |
|------|------|--------|-------------|
| | | | |
| | | | |
| | | | |
| | | | |
| | | | |
| | | | |
| | | | |
| | | | |
| | | | |
| | | | |
| | | | |
| | | | |
| | | | |
| | | | |
| | | | |
| | | | |
| | | | |
| | | | |