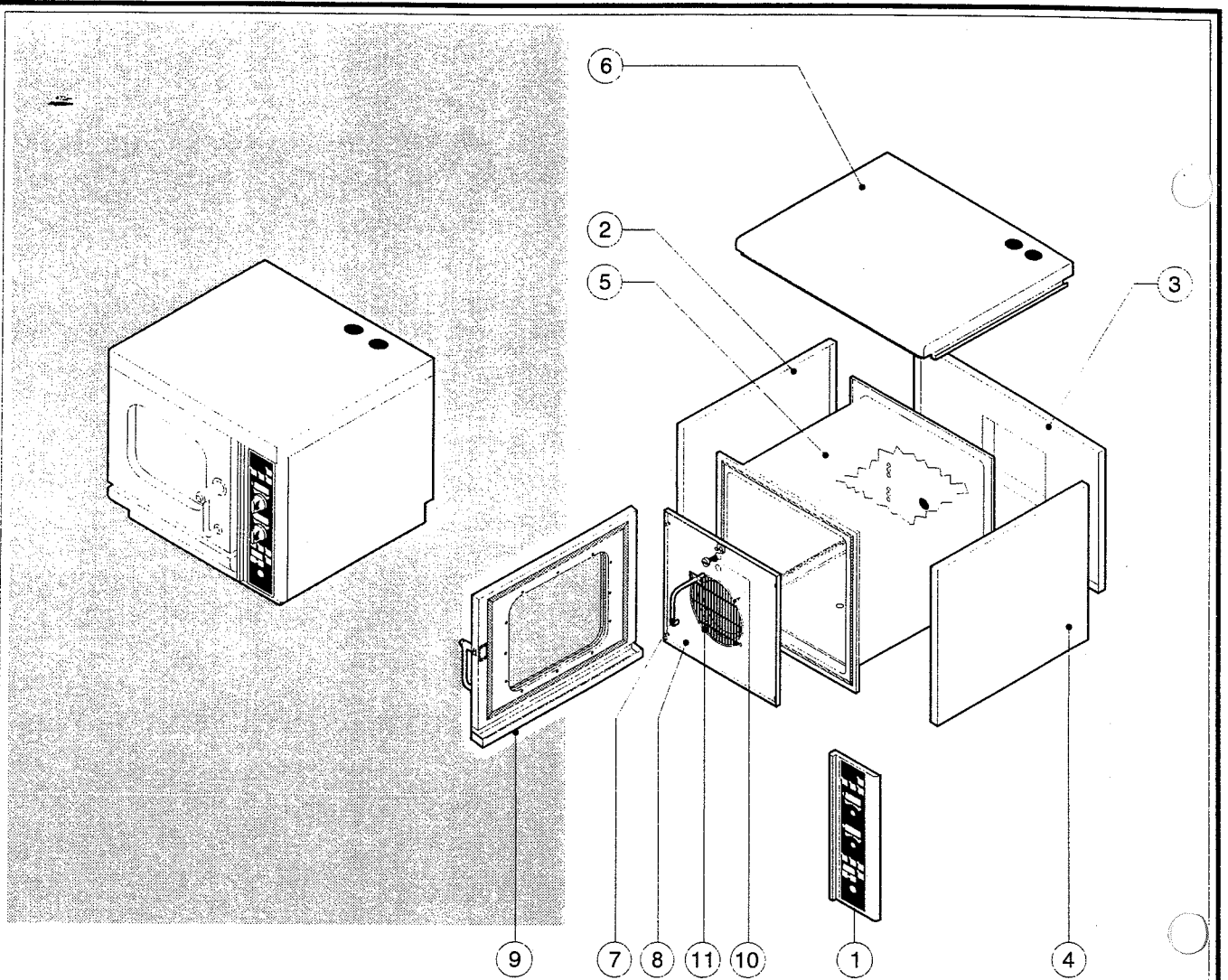


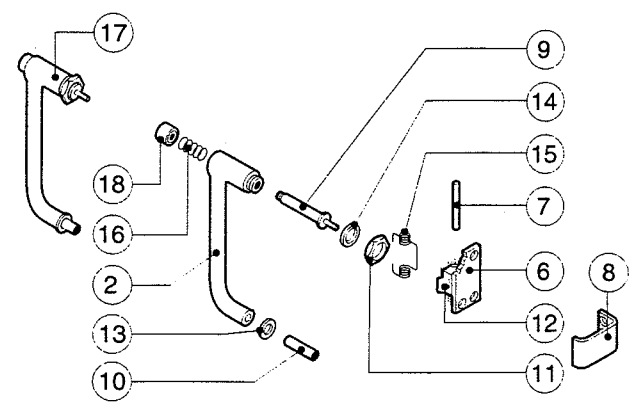
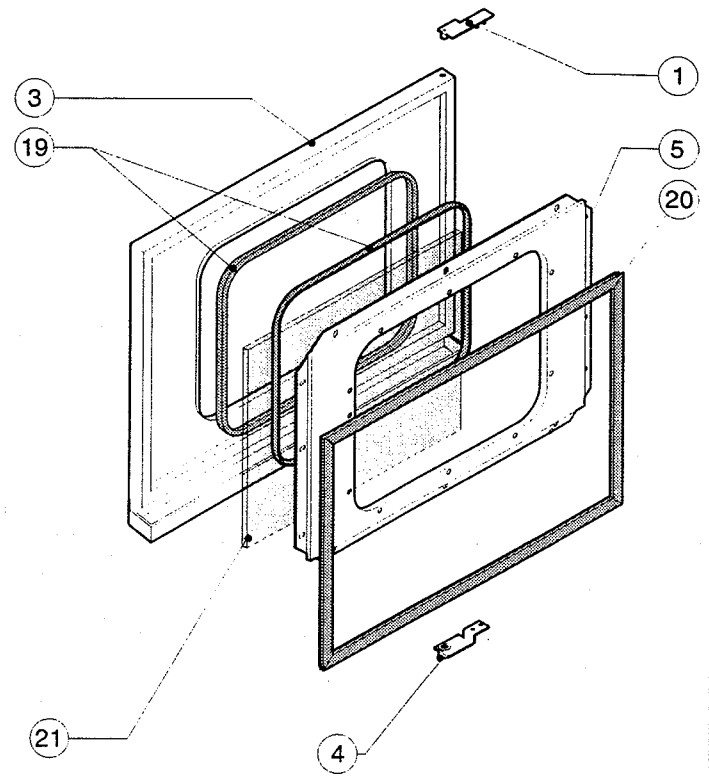
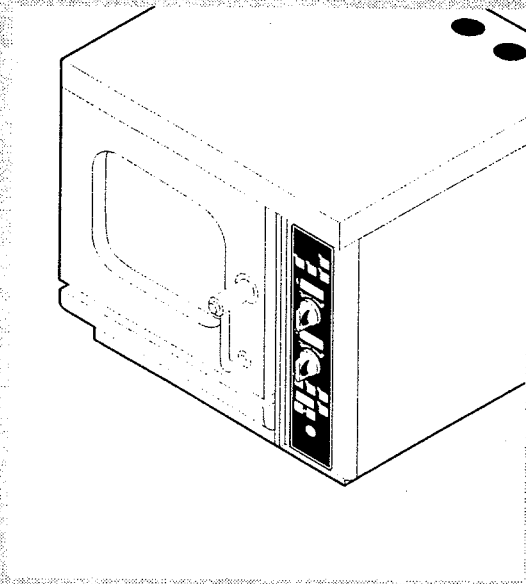
**VE 004 H**



| POS. | KODEX     | ANZAHL | BESCHREIBUNG                 |
|------|-----------|--------|------------------------------|
| 1    | R09100650 | 1      | BEDIENBLLENDE MIT FOLIE      |
| 2    | R09200210 | 1      | LINKE SEITENWAND             |
| 3    | R09200220 | 1      | RUECKENWAND                  |
| 4    | R09200240 | 1      | RECHTE SEITENWAND            |
| 5    | R09204870 | 1      | GARRAUM KOMPLETT             |
| 6    | R09204950 | 1      | DECKEL                       |
| 7    | R09204990 | 1      | BESCHWADUNGSROHR             |
| 8    | R09402120 | 1      | LUFTLEITBLECH KOMPLETT       |
| 9    | R10100390 | 1      | TUER KOMPLETT                |
| 10   | R58006400 | 1      | SCHRAUBE F. LUFTLEITBLECH    |
| 11   | R75300030 | 1      | VENTILATORSCHUTZGITTER Ø 190 |
|      |           |        |                              |
|      |           |        |                              |
|      |           |        |                              |
|      |           |        |                              |
|      |           |        |                              |
|      |           |        |                              |
|      |           |        |                              |

| POS. | KODEX | ANZAHL | BESCHREIBUNG |
|------|-------|--------|--------------|
|      |       |        |              |
|      |       |        |              |
|      |       |        |              |
|      |       |        |              |
|      |       |        |              |
|      |       |        |              |
|      |       |        |              |
|      |       |        |              |
|      |       |        |              |
|      |       |        |              |
|      |       |        |              |
|      |       |        |              |
|      |       |        |              |
|      |       |        |              |
|      |       |        |              |
|      |       |        |              |
|      |       |        |              |
|      |       |        |              |

016 40 004 2007 090797 DONADINI & C



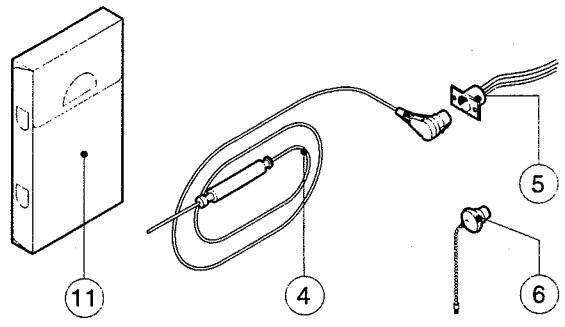
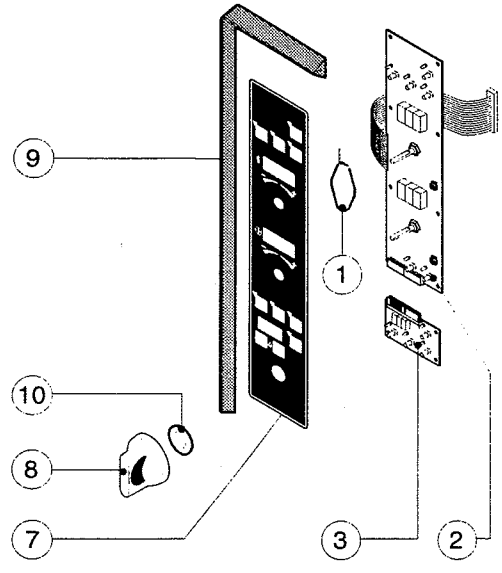
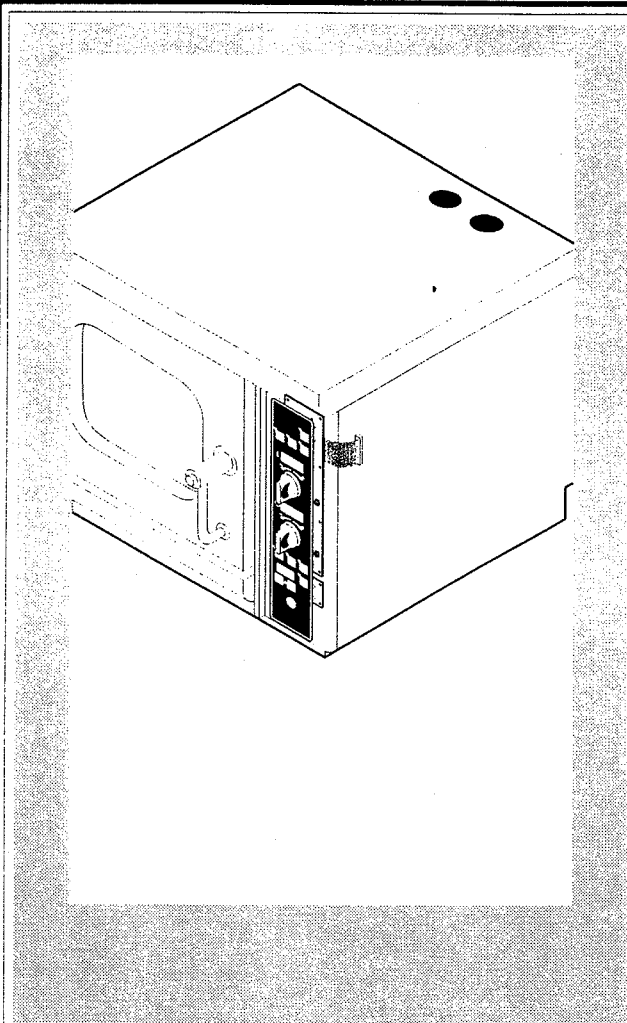
| POS. | KODEX     | ANZAHL | BESCHREIBUNG                       |
|------|-----------|--------|------------------------------------|
| 1    | R09200090 | 1      | OBERES SCHARNIER                   |
| 2    | R09200230 | 1      | TUERGRIFF                          |
| 3    | R09200350 | 1      | TUER                               |
| 4    | R09200370 | 1      | UNTERES SCHARNIER                  |
| 5    | R09401330 | 1      | INNENTUERE                         |
| 6    | R10100100 | 1      | FLANSCH                            |
| 7    | R58002160 | 1      | ZAPPEN F. SCHLISSNASE AM TUEGRRIFF |
| 8    | R58002750 | 1      | HAKEN F. SCHLISSNASE               |
| 9    | R58003230 | 1      | STAB F. TUEGRRIFFKNOPF             |
| 10   | R58004270 | 1      | DISTANZRHR F. TUEGRRIFF            |
| 11   | R58004830 | 1      | BEFESTIGUNGRING M18x1              |
| 12   | R58005050 | 1      | SCHLISSNASE                        |
| 13   | R58005340 | 1      | UNTERE ISOLIERSCHEIBE F. TUEGRRIFF |
| 14   | R58005350 | 1      | OBERE ISOLIERSCHEIBE F. TUEGRRIFF  |
| 15   | R61620012 | 1      | FEDER F. SCHLISSNASE               |
| 16   | R61620041 | 1      | FEDER F. GRIFFKNOPF                |
| 17   | R69015010 | 1      | TUEGRRIFF KOMPLETT                 |
| 18   | R69031190 | 1      | TUEGRRIFFKNOPF                     |
| 19   | R70040050 | 2      | HARTGLASSDICHUNG                   |

| POS. | KODEX     | ANZAHL | BESCHREIBUNG |
|------|-----------|--------|--------------|
| 20   | R70041990 | 1      | TUERDICHUNG  |
| 21   | R71020010 | 1      | HARTGLAS     |
|      |           |        |              |
|      |           |        |              |
|      |           |        |              |
|      |           |        |              |
|      |           |        |              |
|      |           |        |              |
|      |           |        |              |
|      |           |        |              |
|      |           |        |              |
|      |           |        |              |
|      |           |        |              |
|      |           |        |              |
|      |           |        |              |
|      |           |        |              |
|      |           |        |              |
|      |           |        |              |
|      |           |        |              |
|      |           |        |              |
|      |           |        |              |
|      |           |        |              |





016-40-004-20-0 090797 DONADINI & C



| POS. | KODEX     | ANZAHL | BESCHREIBUNG                       |
|------|-----------|--------|------------------------------------|
| 1    | R10205120 | 2      | FEDE F. DREHKNOPF                  |
| 2    | R65300840 | 1      | TASTATURPLATINE                    |
| 3    | R65300850 | 1      | KERNTemperaturFUEHLER PLATINE      |
| 4    | R65320900 | 1      | KERNTemperaturFUEHLER              |
| 5    | R65320920 | 1      | STECKDOSE F. KERNTemperaturFUEHLER |
| 6    | R65321020 | 1      | ABDECKUNG F. STECKDOSE             |
| 7    | R67010870 | 1      | BEDIENUNGSFOLIE LAINOX             |
| 8    | R69030150 | 2      | DREHKNOPF                          |
| 9    | R70040810 | 1      | DICHTUNG DER BEDIENUNGSBLENDE      |
| 10   | R70050020 | 4      | DICHTUNG DES BEDIENUNGSKNEBELS     |
| 11   | R86020420 | 1      | TASCHE F. KERNTemperaturFUEHLER    |
|      |           |        |                                    |
|      |           |        |                                    |
|      |           |        |                                    |
|      |           |        |                                    |
|      |           |        |                                    |
|      |           |        |                                    |
|      |           |        |                                    |
|      |           |        |                                    |
|      |           |        |                                    |

| POS. | KODEX | ANZAHL | BESCHREIBUNG |
|------|-------|--------|--------------|
|      |       |        |              |
|      |       |        |              |
|      |       |        |              |
|      |       |        |              |
|      |       |        |              |
|      |       |        |              |
|      |       |        |              |
|      |       |        |              |
|      |       |        |              |
|      |       |        |              |
|      |       |        |              |
|      |       |        |              |
|      |       |        |              |
|      |       |        |              |
|      |       |        |              |
|      |       |        |              |
|      |       |        |              |
|      |       |        |              |
|      |       |        |              |
|      |       |        |              |