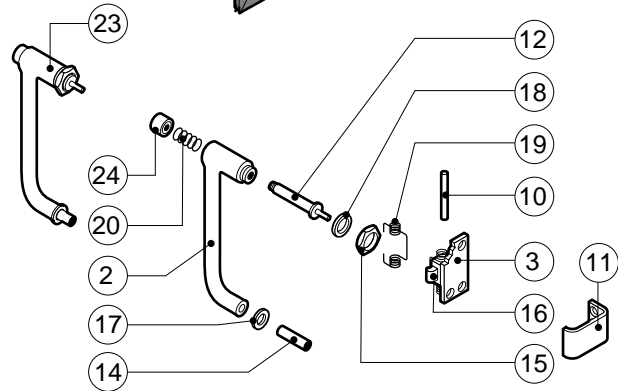
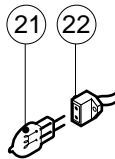
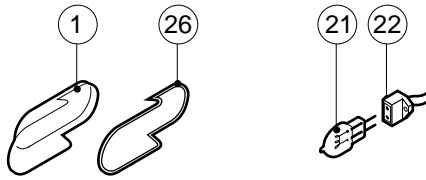
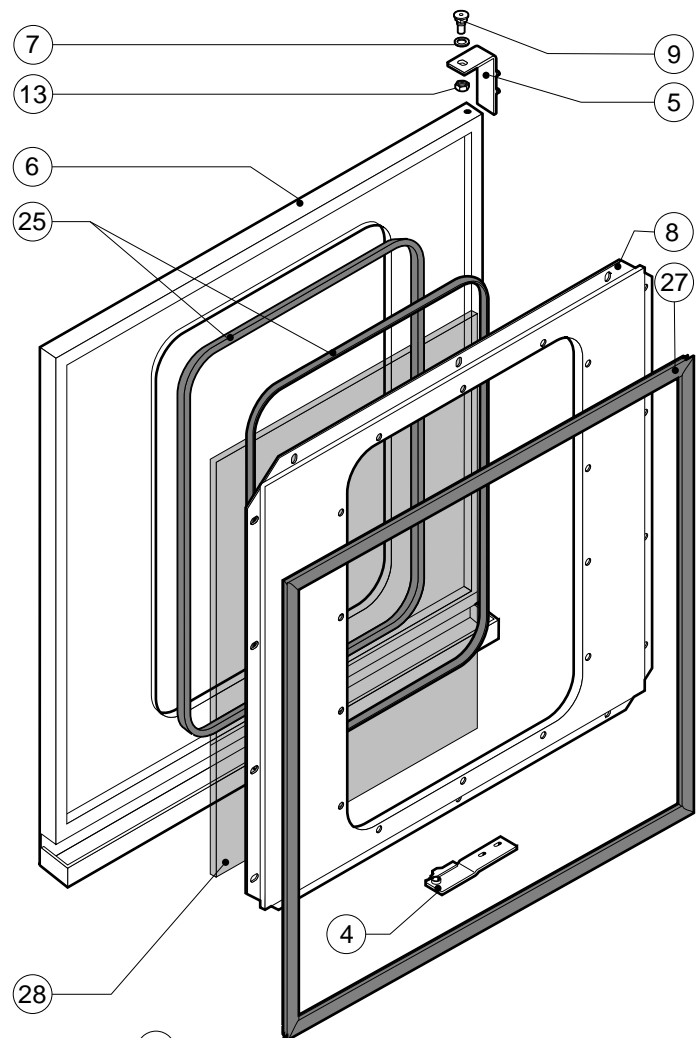
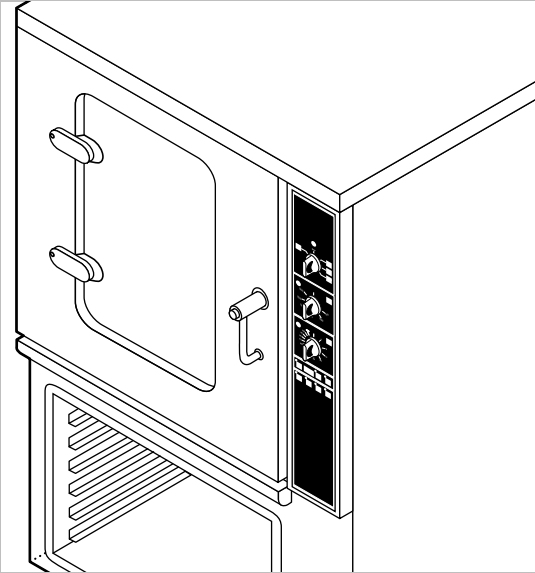


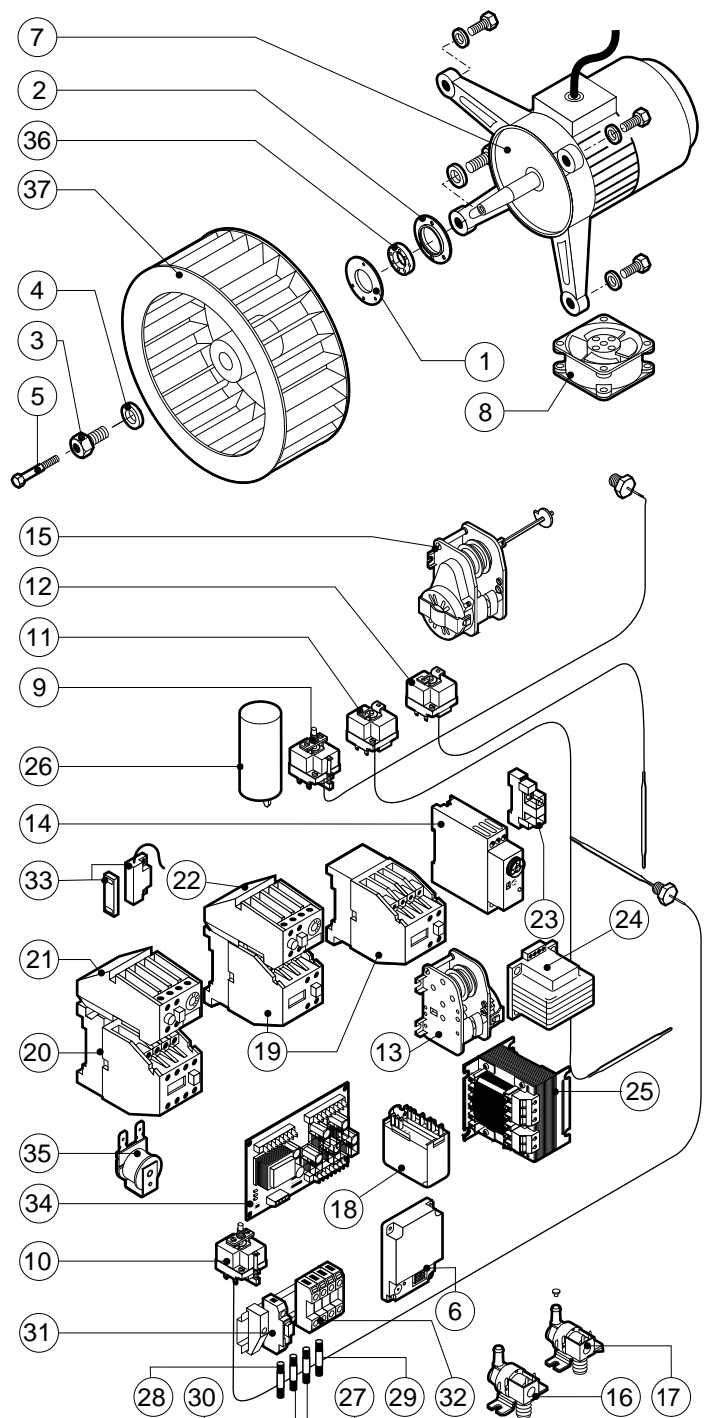
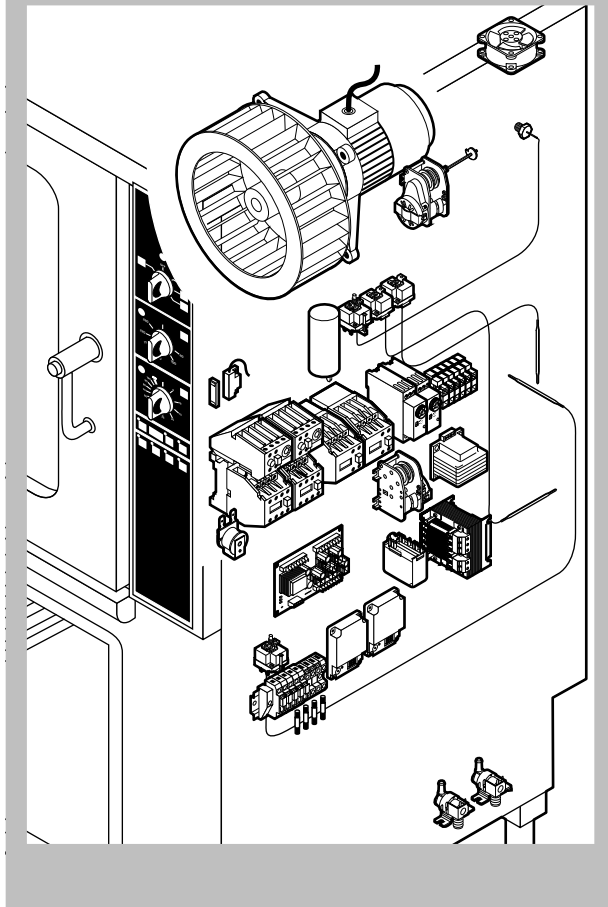
POS.	CODE	PIECES	DESCRIPTION
1	R10100770	1	DOOR ASSEMBLY
2	R10105510	1	CONTROL PANEL WITH PLATE
3	R10207151	1	COOKING CABINET ASSEMBLY
4	R10200400	1	COVER PANEL
5	R10201540	1	RIGHT SIDE PANEL
6	R10201550	1	LEFT SIDE PANEL
7	R10201560	1	LOWER REAR PANEL
8	R10207271	1	FAN GUARD PANEL ASSEMBLY
9	R10409460	1	UPPER REAR PANEL
10	R58003100	2	FAN GUARD FASTENING SCREW
11	R69070070	4	FOOT 1"1/4x120
12	R70041070	1	FRONT GASKET
13	R75300090	1	FAN GUARD GRID Ø 350

POS.	CODE	PIECES	DESCRIPTION



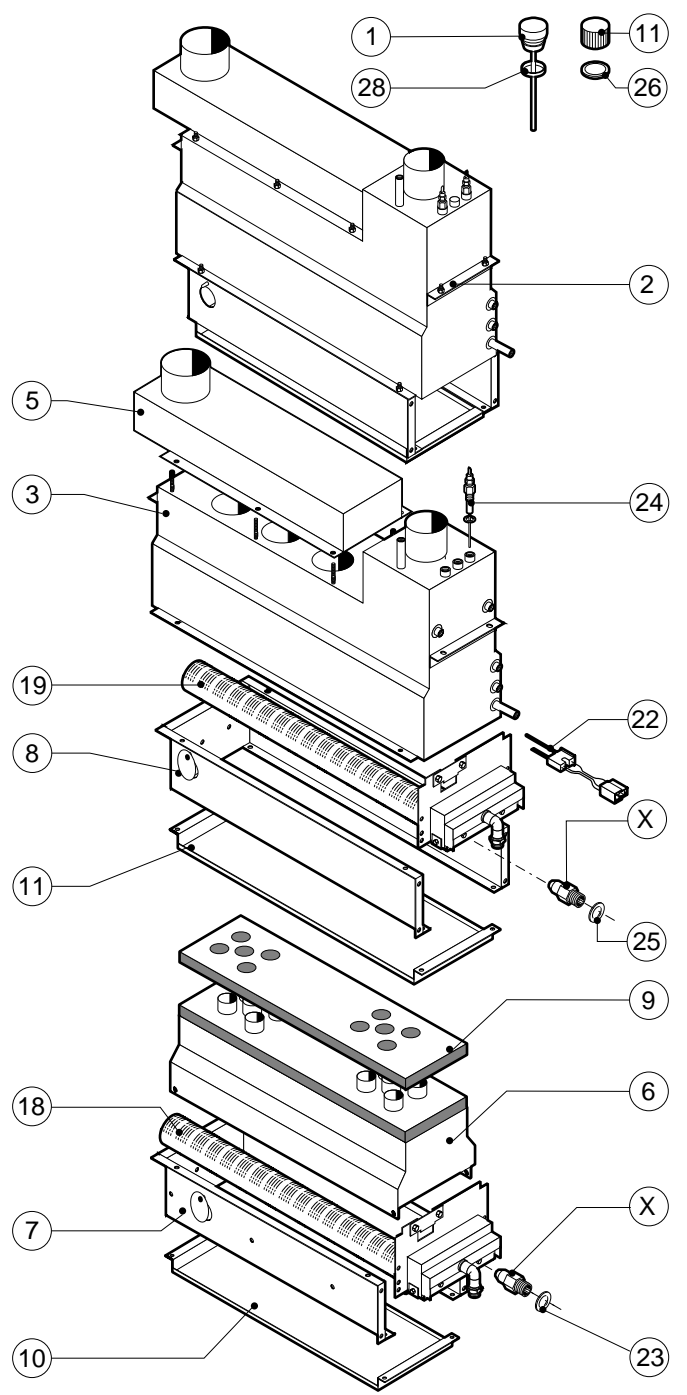
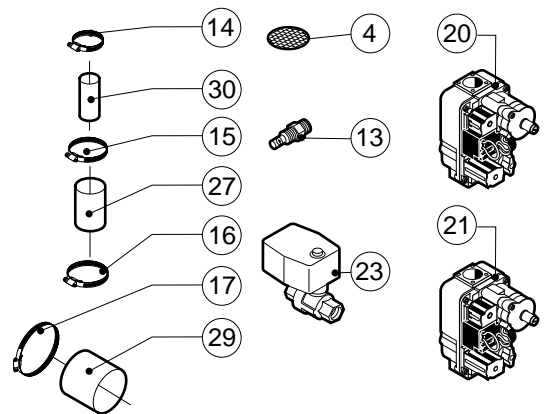
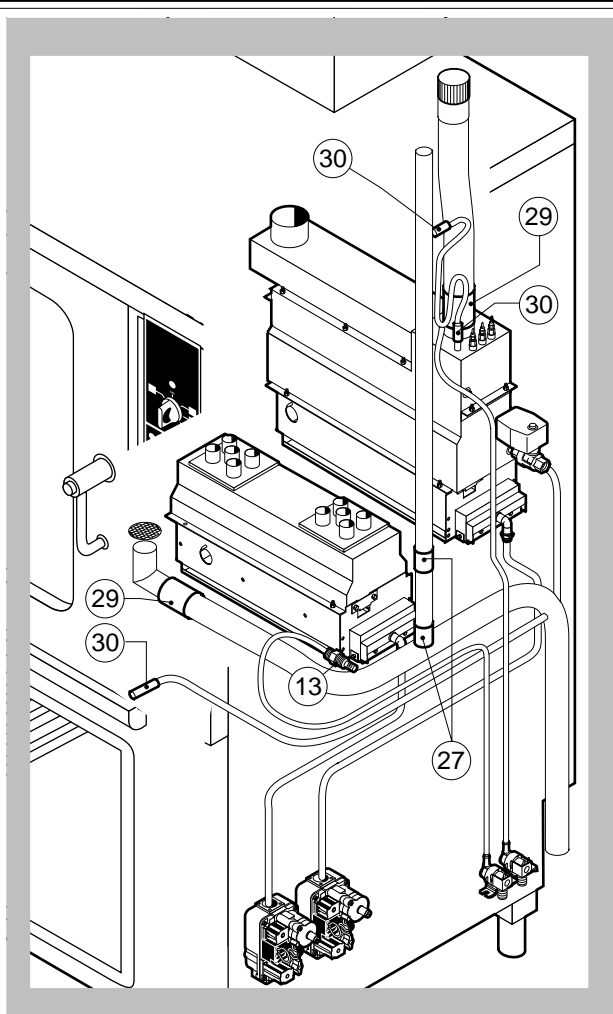
POS.	CODE	PIECES	DESCRIPTION
1	R04400600	2	LIGHT PROTECTION
2	R09200230	1	DOOR HANDLE
3	R10100110	1	PRONG FLANGE
4	R10201240	1	LOWER DOOR HINGE
5	R10201290	1	UPPER DOOR HINGE
6	R10205540	1	DOOR
7	R10401710	1	WASHER FOR UPPER DOOR HINGE
8	R10408130	1	INNER DOOR PANEL
9	R58002150	1	HINGE PIN
10	R58002160	1	DOOR HANDLE PRONG PIN
11	R58002760	1	DOOR HANDLE PRONG COUPLER
12	R58003240	1	DOOR HANDLE BUTTON ROD
13	R58004050	1	NUT FOR UPPER DOOR HINGE
14	R58004270	1	DOOR HANDLE SPACER
15	R58004830	1	RING NUT M18x1
16	R58005050	1	DOOR HANDLE PRONG
17	R58005340	1	DOOR HANDLE LOWER INSULATION WASHER
18	R58005350	1	DOOR HANDLE UPPER INSULATION WASHER
19	R61620012	1	DOOR HANDLE CATCH SPRING

POS.	CODE	PIECES	DESCRIPTION
20	R61620041	1	DOOR HANDLE BUTTON SPRING
21	R65270020	2	LIGHT 20W 12V G4
22	R65270400	2	LIGHT SOCKET
23	R69015000	1	DOOR HANDLE ASSEMBLY
24	R69031190	1	DOOR HANDLE PUSH BUTTON
25	R70040650	2	GLASS GASKET
26	R70040800	2	LIGHT PROTECTION GASKET
27	R70042110	1	DOOR GASKET
28	R71105010	1	DOUBLE GLAZED GLASS



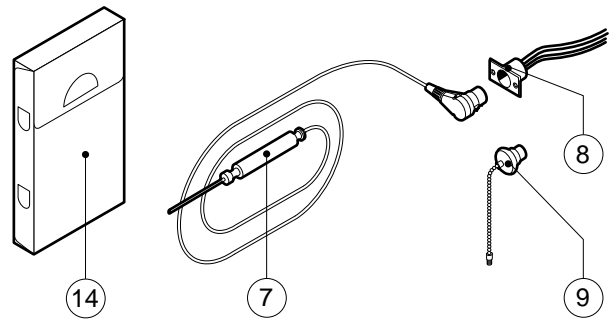
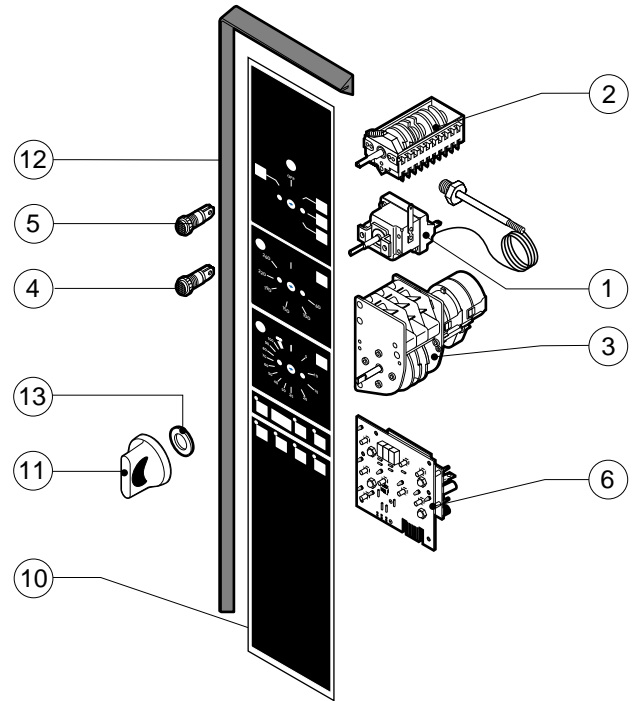
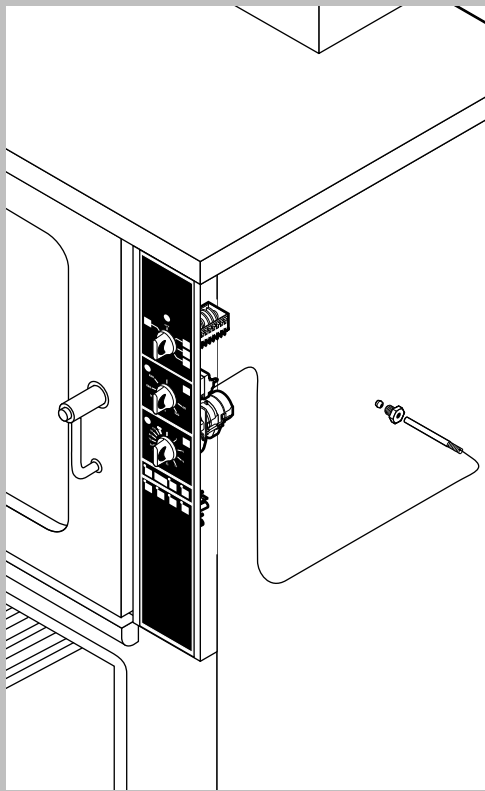
POS.	CODE	PIECES	DESCRIPTION
1	R58003840	1	MOTOR GASKET BRASS FLANGE
2	R58003850	1	MOTOR GASKET BRASS COUNTER FLANGE
3	R58004000	1	FAN SCREW M12x1.5 SX
4	R58004010	1	FAN WASHER Ø 30/12.5
5	R61020562	1	FAN SCREW TE A2 M6x55
6	R63060090	2	BURNER IGNITION PANEL WR 50A72-418
7	R65040361	1	MOTOR HP 1/0.3 KIT
8	R65060010	1	COMPONENTS VENTILATION MOTOR Ø 80
9	R65070075	1	CHAMBER SAFETY THERMOSTAT
10	R65070080	1	STEAM GENERATOR SAFETY THERMOSTAT
11	R65070165	1	THERMOSTAT 65°C
12	R65070240	1	THERMOSTAT 70°C
13	R65090180	1	REVERSING SWITCH 8"
14	R65090450	2	IGNITION DELAY TIMER
15	R65095010	1	DAMPER SYSTEM
16	R65110120	1	SOLENOID VALVE 220V 60HZ
17	R65115080	1	SOLENOID VALVE 220V 60HZ WITH FLOW REDUCER
18	R65120010	1	LEVEL REGULATOR
19	R65140140	2	CONTACTOR 3TF4011-OAN2 220V

POS.	CODE	PIECES	DESCRIPTION
20	R65140160	2	CONTACTOR 3TF4022-OAN2 220V
21	R65160130	1	THERMIC PROTECTION 3UA5000-1F 3.2-5A
22	R65160180	1	THERMIC PROTECTION 3UA5000-1J 6.3-10A
23	R65170050	6	RELAY 4052 240V AC 10A
24	R65180730	1	TRANSFORMER 40VA
25	R65180900	1	AUTOTRANSFORMER 400VA
26	R65190120	1	CAPACITOR 50 µF
27	R65200120	1	FUSE 0.1A (T)
28	R65200230	2	FUSE 4A
29	R65200240	1	FUSE 5A
30	R65200350	1	FUSE 0.4A (T)
31	R65210020	5	FUSE CARRIER
32	R65220090	1	TERMINAL BOARD
33	R65265100	1	DOOR SWITCH
34	R65300520	1	RELAYS P.C. BOARD
35	R65330010	1	BUZZER
36	R70020050	1	MOTOR GASKET
37	R75400370	1	FAN Ø 350x120/16 60HZ P.D. KIT



POS.	CODE	PIECES	DESCRIPTION
1	R10100140	1	DAMPER SYSTEM CAP
2	R10102070	1	STEAM GENERATOR ASSEMBLY
3	R10200990	1	STEAM GENERATOR
4	R10201710	1	DRAIN FILTER
5	R10202110	1	STEAM GENERATOR GAS FLUE PIPE
6	R10202420	1	COMBUSTION CABINET
7	R10202520	1	CABINET BURNERS SUPPORT
8	R10202600	1	STEAM GENERATOR SUPPORT
9	R10408650	1	COMBUSTION CABINET INSULATION PLATE
10	R10409390	1	CHAMBER BURNERS PROTECTION PLATE
11	R10409400	1	STEAM GENERATOR BURNERS PROTECTION PLATE
12	R58005680	1	STEAM GENERATOR DESCALING CAP 1"1/4 F
13	R58006080	1	STEAM QUENCHING NOZZLE Ø 2
14	R61630011	10	METAL CLAMPS 12-22/9
15	R61630021	2	METAL CLAMPS 30-45/9
16	R61630031	4	METAL CLAMPS 40-60/9
17	R61630041	2	METAL CLAMPS 70-90/9
18	R63016090	1	CHAMBER BURNER ASSEMBLY
19	R63016100	1	STEAM GENERATOR BURNER ASSEMBLY

POS.	CODE	PIECES	DESCRIPTION
20	R63020120	2	GAS VALVE WR 36E96A-301 NATURAL GAS
21	R63020130	2	GAS VALVE WR 36E96A-302 PROPAN GAS
22	R63050050	2	IGNITOR/SENSOR WR 768A200
23	R65110540	1	STEAM GENERATOR DRAIN MOTORIZED VALVE
24	R65320010	2	STEAM GENERATOR LEVEL PROBE
25	R70030090	4	NOZZLE GASKET
26	R70050040	1	STEAM GENERATOR CAP GASKET
27	R70060010	2	SILICON COUPLING Ø 30
28	R70060020	1	DAMPER SYSTEM CAP GASKET
29	R70060040	2	SILICON COUPLING Ø 50
30	R70060060	3	SILICON COUPLING Ø 15
X		2	NOZZLE (See service manual)
X		2	NOZZLE (See service manual)



POS.	CODE	PIECES	DESCRIPTION
1	R65070210	1	CABINET THERMOSTAT 50/270°C
2	R65080020	1	MAIN SELECTOR SWITCH
3	R65090200	1	TIMER
4	R65270220	2	ORANGE INDICATING LIGHT
5	R65270230	1	GREEN INDICATING LIGHT
6	R65300530	1	CONTROL PANEL P.C. BOARD
7	R65320900	1	CORE TEMPERATURE PROBE
8	R65320920	1	CORE TEMPERATURE PROBE FEMALE CONNECTOR
9	R65321020	1	COVER FOR FEMALE CONNECTOR
10	R67200520	1	CLEVELAND PLATE
11	R69030080	3	KNOB KIT
12	R70040890	1	CONTROL PANEL GASKET
13	R70050020	6	KNOB GASKET
14	R86020420	1	CORE TEMPERATURE PROBE BOX

POS.	CODE	PIECES	DESCRIPTION