

ABBATTITORI GASTRONOMIA POSITIVI

GASTRONOM BLAST CHILLERS AND FREEZERS

GASTRONOMIE SCHNELLABKÜHLER UND
SCHOCKFROSTER

CELLULES DE REFROIDISSEMENT/SURGELATION
RAPIDE POUR GASTRONOMIE

ABR141SJ2FRTXAA



**ESPLOSI – EXPLODED DRAWINGS
EXPLOSIONZEICHNUNGEN - VUE ECLATEE**

Codice XESH6X52

Pagina 2

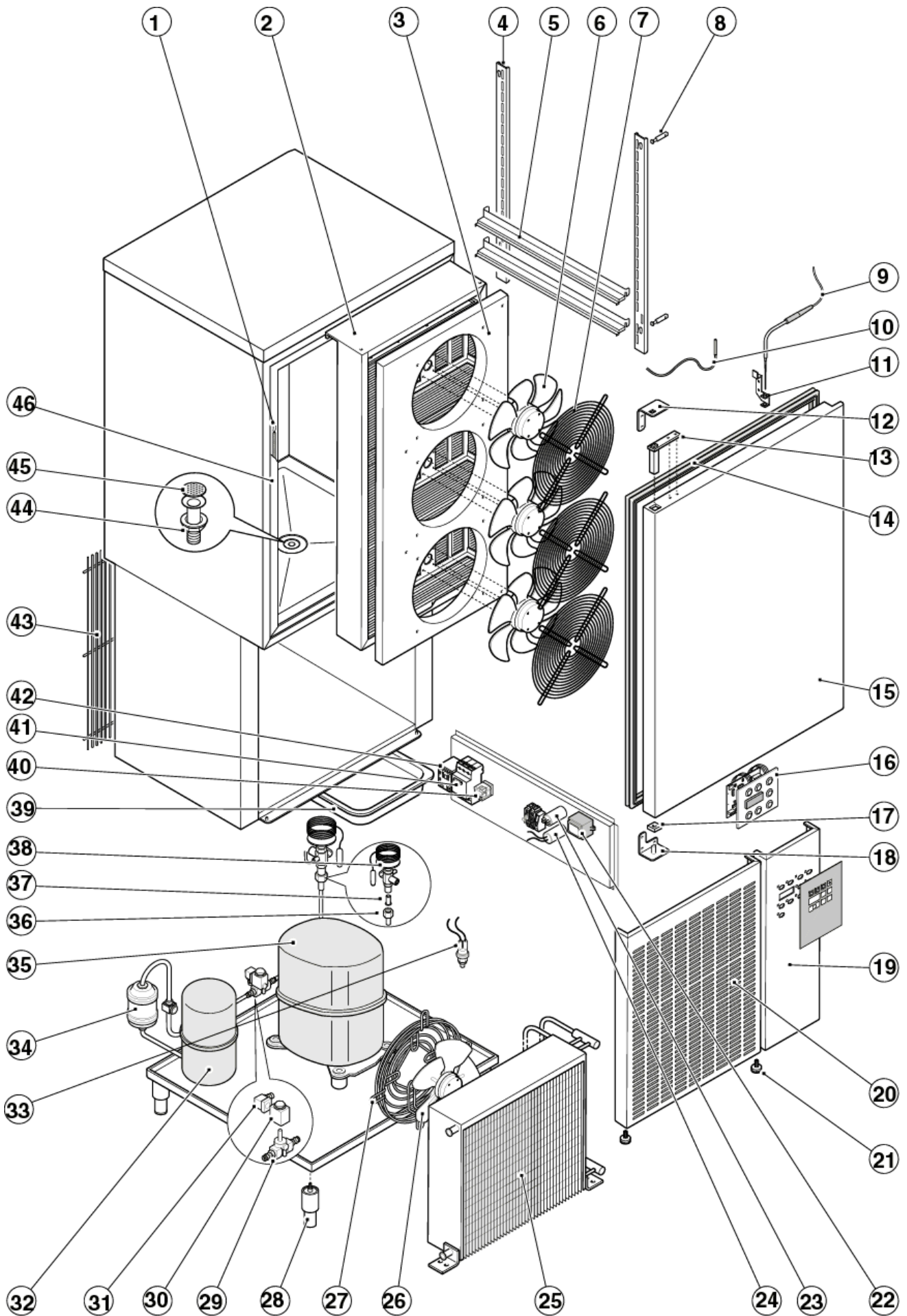
Verifica: Ufficio tecnico _____ De Cian

Emissione: Ufficio tecnico _____ De Cian

Approvazione: Direzione tecnica _____ Zambon

Copia controllata nr. _____

Copia non controllata



	COD.	REV.	DESCRIZIONE	DESCRIPTION	BESCHREIBUNG	DESCRIPTION
1	RA900046		RESISTENZA ANTICONDENSA	FRAME RESISTANCE	WIDERSTAND RAHMEN	RESISTANCE CADRE
2	RA140024		EVAPORATORE	EVAPORATOR	VERDAMPFER	EVAPORATEUR
3	RF080024		ASSIEME CONVOGLIATORE	FAN COVERING	VENTILATORABDECKUNG	COUVRE VENTILATEUR
4	RG330033		CREMAGLIERA LATERALE SX	LEFT RACK	LINK ZAHNSTANGE	CREMAILLIERE GAUCHE
4a	RG330032		CREMAGLIERA LATERALE DX	RIGHT RACK	RECHT ZAHNSTANGE	CREMAILLIERE DROITE
5	RG490018		GUIDA UNICA CELLA GN	GRID SLIDE	SCHIENE	GLISSIERE GRILLE
6	RA880002	C	MOTOVENTILATORE A2E250-AL06-09	MOTOR FOR FAN A2E250-AL06-09	MOTOR FÜR VENTILATOR A2E250-AL06-09	MOTEUR VENTILATEUR A2E250-AL06-09
7	RA170062		GRIGLIA PROTEZIONE VENTOLA	PROTECTION GRID FOR FAN	SCHUTZGITTER FÜR VENTILATEUR	GRILLE PROTECTION VENTILATEUR
8	RA470021		PERNO CREMAGLIERA PA D.14	HINGE RACK HOLDER PA D.14	ZAPFEN HÄNGER FÜR ZAHNSTANGE PA D.14	PIVOT DE SUPPORT CREMAILLIERE PA D.14
9	RA930013	C	SONDA AISI INFILZO S/RISCALDAMENTO	CORE PROBE	KERNFUEHLER	SONDE AU COEUR
OPT	RA930012	C	SONDA AISI INFILZO CON RISCALDAMENTO	CORE PROBE	KERNFUEHLER	SONDE AU COEUR
10	RA932001	C	SONDA PTC L.2600 SILICONE	PROBE PTC L.2600	FUEHLER PTC L.2600	SONDE PTC L.2600
11	RG830115		SUPPORTO SONDA	PROBE SUPPORT FOR PRICKER PROBE	FUEHLERHALTER FÜR NADELFUEHLER	PORTE-SONDE POUR AGUILLE
12	RG810021		SUPPORTO CERNIERA	HINGE HOLDER	SCHARNIER HALTER	SUPPORT CHARNIERE
13	RA051007		CERNIERA AUTOCHIUDENTE	HINGE PIVOT	SCHARNIER PIVOT	SCHARNIERE PIVOT
14	RA190071		GUARNIZIONE MAGNETICA PORTA	SEAL	DICHTUNG	GARNITURE
15	RB100023		ASSIEME PORTA SCHIUMATA	DOOR	TÜR	PORTE
16	RA910071	C	SCHEDA TASTIERA STD	CARD FOR REDUCED KEYBOARD	PLATINE FÜR REDUZIERTE TASTATUR	FICHE CLAVIER POUR PLATINE
17	RA050006		BOCCOLA NYLON CERNIERA	BUSH FOR DOOR HINGE	BUCHSE FÜR DER TUER	DOUILLE POUR CHARNIERE PORTE
18	RG810022		SUPPORTO BOCCOLA CERNIERA	LOWER HINGE	UNTERES SCHARNIER	CHARNIERE INFERIEUR
19	RF360103		ASSIEME CRUSCOTTO	FRONT PANEL	VORDERPANEEL	PANNEAU FRONTAL
20	RG350065		MASCHERINA ANTERIORE	KEYBOARD PLATE	TASTATURFOLIE	MASQUE PLATINE
21	RA919000		VOLANTINO ZIGRINATO M5x1	THREAD WHEEL M5x1	RAENDELHANDRAD M5x1	VOLANT MOLETE M5x1
22	RA960006		TRASFORMATORE 6VA 230/12V	6VA 230/12V TRANSFORMER	TRANSFORMATOR 6VA 230/12V	TRANSFORMATEUR 6VA 230/12V
OPT	RA960002		TRASFORMATORE 20VA 230/12V	220-12V TRANSFORMER	TRANSFORMATOR 220-12V	TRANSFORMATEUR 220-12V
23	RA860014		CONDENSATORE 9 MF	CONDENSER 9MF	KONDENSER 9MF	CONDENSATEUR 9MF
24	RA860005		CONDENSATORE 5 MF	CONDENSER 5MF	KONDENSER 5MF	CONDENSATEUR 5MF
25	RA090037		CONDENSATORE 2522-20T-5R-440	CONDENSER 2522-20T-5R-440	KONDENSER 2522-20T-5R-440	CONDENSATEUR 2522-20T-5R-440
26	RA880050	C	MOTOVENTILATORE EBM A4E350-AA	MOTOR FOR FAN EBM A4E350-AA	MOTOR FUER VENTILATEUR EBM A4E350-AA	MOTEUR VENTILATEUR EBM A4E350-AA
27	RA170005		GRIGLIA PROTEZIONE VENTOLA	PROTECTION GRID FOR FAN	SCHUTZGITTER FÜR VENTILATOR	GRILLE PROTECTION VENTILATEUR
28	RA590010		ASSIEME PIEDINO 1" 3/4 H=200	FOOT SUPPORT + FOOT 1"3/4 H=200	FUSSHALTER + FUSS 1"3/4 H=200	SUPPORT PIED + PIED 1"3/4 H=200
29	RA714014		VALVOLA SOLENOIDE Ø10 CASTEL	CASTEL SOLENOIDE VALVE Ø10	CASTEL SOLENOID-VENTIL Ø10	SOUPAPE SOLENOIDE Ø10 CASTEL
30	RA714012	C	BOBINA TIPO HM2	COIL HM2 FOR SOLENOIDE VALVE	SPUL HM2 FÜR SOLENOID-VENTIL	BOBINE HM2 POUR SOUPAPE SOLENOIDE
31	RA714017		CONNETTORE PG11 PER VALVOLA	CONNECTOR PG11 FOR SOLENOIDE VALVE	VERBINDFER PG11 FÜR SOLENOID-VENTIL	CONNECTEUR PG11 POUR SOUPAPE SOLENOIDE
32	RA014103		RICEVITORE LIQUIDO 2,9L	LIQUID RESERVE 2,9L	FLUESSIGKEITRESERVE 2,9L	RECEPTEUR DE LIQUIDE 2,9L
33	RA953008		PRESSOSTATO DANFOSS	PRESSURE SWITCH	DRUCKWAECHTER	PRESSOSTAT
34	RA012005		FILTRO CASTEL 4308/M10S	CASTEL 4308/M10S FILTER	FILTER CASTEL 4308/M10S	FILTRE CASTEL 4308/M10S
35	RA073015	C	COMPRESSORE MANEUROP MTZ	COMPRESSOR MANEUROP MTZ	KOMPRESSOR MANEUROP MTZ	COMPRESSEUR MANEUROP MTZ
36	RA716502		ADATTATORE A BRASARE T- TE D. 10	ADAPTER FOR T- TE D. 10	ADAPTER FÜR T- TE D. 10	ADAPTEUR POUR T- TE D. 10
37	RA716028		ORIFICIO N° 04 CON FILTRO	ORIFICE N° 4 WITH FILTER	OEFFNUNG N° 4 MIT FILTER	ORIFICE N° 4 AVEC FILTRE
38	RA715017		CORPO VALVOLA TES2 R404A	VALVE BODY TES2 R404A	VENTILKORPER TES2 R404A	CORPS SOUPAPE TES2 R404A



39	0102343		BACINELLA PLASTICA GN 1/1	PLASTIC VESSEL GN 1/1	PLASTIC BEHALTER GN 1/1	CUVE EN PLASTIQUE GN 1/1
40	RA890004	C	RELE' FINDER 62.82.82300	RELAIS FINDER 62.82.82300	RELAIS FINDER 62.82.82300	RELAIS FINDER 62.82.82300
41	RA890028		CONTATTORE SIRIUS 3RT102	ELECTROMAGNETIC SWITCH	FERNSCHALTER	TELERUPTEUR
42	RA949009		INTERRUTTORE AUTOMATICO SIRIUS 3R	SIRIUS 3R SWITCH	SCHALTER SIRIUS 3R	INTERRUPTEUR SIRIUS 3R
43	RA170063		PROTEZIONE POSTERIORE	PROTECTION GRILL	HINTERER SCHUTZ	PROTECTION POSTERIEURE
44	RA651002		PILETTA SCARICO "1"	DRAIN STRAINER "1"	BECKENAUFLAUF "1"	CREPINE VIDANGE "1"
45	RG650005		GRIGLIETTA SCARICO	DRAIN GRILL	ABLAUF GITTER	GRILLE DE VIDANGE
46	RG190024		CONTROMAGNETE VERTICALE	VERTICAL COUNTERMAGNET	VERTIKALER GEGENMAGNET	CONTRE-AIMANT VERTICAL
46a	RG190021		CONTROMAGNETE ORIZZONTALE	HORIZONTAL COUNTERMAGNET	WAAGERECHTER GEGENMAGNET	CONTRE-AIMANT HORIZONTAL



COD. XESH6X52

PAG. 5