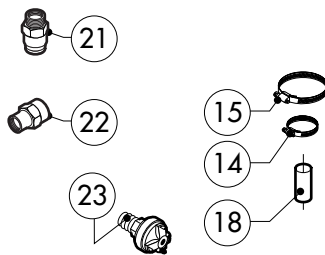
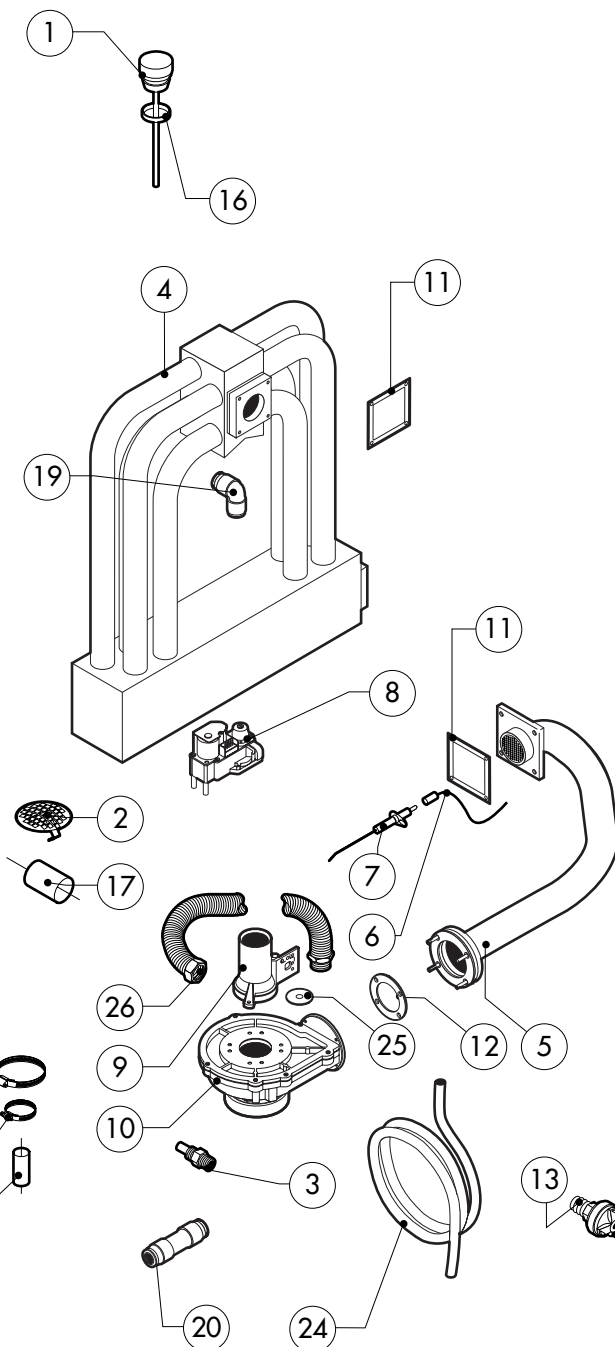
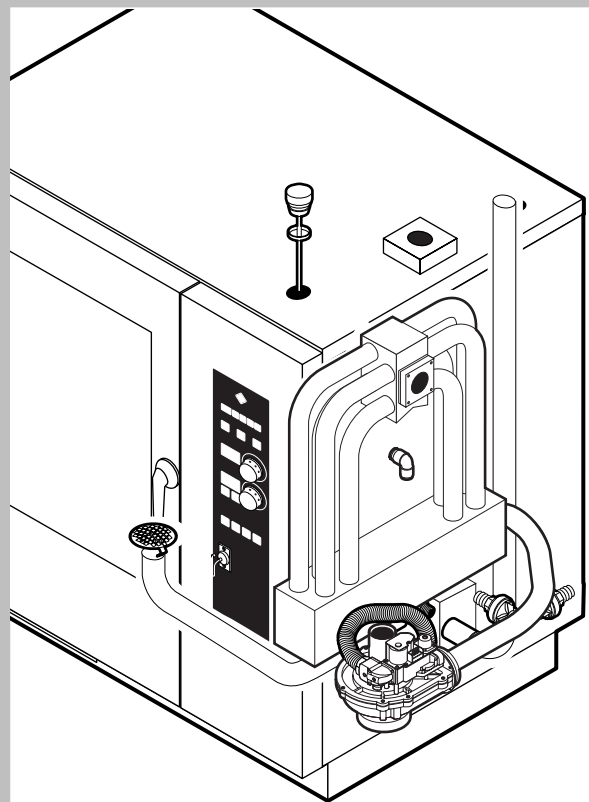


POS.	CODE	PIECES	DESCRIPTION
1	R58003840	1	MOTOR GASKET BRASS FLANGE
2	R58003850	1	MOTOR GASKET BRASS COUNTER FLANGE
3	R58004000	1	FAN SCREW M12x1.5 SX
4	R58004010	1	FAN WASHER Ø 30/12.5
5	R61020562	1	FAN SCREW TE A2 M6x55
6	*R65040031	1	MOTOR 055/015 KW KIT
7	R65060050	2	COMPONENTS VENTILATION MOTOR Ø 120
8	R65070350	1	CHAMBER SAFETY THERMOSTAT
9	R65095000	1	DAMPER SYSTEM
10	R65110200	1	SOLENOID VALVE 220V 50HZ
11	R65110230	1	SOLENOID VALVE 220V 50HZ WITH FLOW REDUCER
12	R65110510	1	15 LT/H WATER FLOW REDUCER
13	R63060120	1	BURNER IGNITION PANEL
14	R63130020	1	GAS BURNER FAN MOTOR PCBOARD
15	*R65140380	4	CONTACTOR 3RT1016-1AP02 240V
16	*R65160580	1	THERMIC PROTECTION 3RU1116-1CB0 1,8-2,5A
17	*R65160600	1	THERMIC PROTECTION 3RU1116-1FB0 3,5-5,0A
18	R65180770	1	TRANSFORMER 50VA
19	R65180430	1	TRANSFORMER 40VA
20	R65180420	2	TRANSFORMER 20VA
21	R65200086	1	FUSE 0.125A (T)

POS.	CODE	PIECES	DESCRIPTION
22	R65200200	1	FUSE 2A
23	R65200120	1	FUSE 1A
24	R65200040	1	FUSE 0.500A (T)
25	R65200040	1	FUSE 0.25A (T)
26	R65210020	5	FUSE CARRIER
27	R65220220	1	TERMINAL BOARD
28	R65265100	1	DOOR SWITCH
29	*R65280210	1	INTERFERENCE SUPPRESSOR
30	*R65280450	1	FERRITE
31	R65325000	2	PROBE PT100
32	R70020050	1	MOTOR GASKET
33	*R75400440	1	FAN Ø 350x114/12 50HZ P.D. KIT
34	*R65190030	1	CAPACITOR 16 µF
35	*R65190090	1	CAPACITOR 12.5 µF

\*COMPONENT SUBMITTED TO CHANGEMENTS CAUSED BY TENSION DIFFERENT FROM THE STANDARD (AC 230V 50HZ)



POS.	CODE	PIECES	DESCRIPTION
1	R11100270	1	DAMPER SYSTEM CAP
2	R10201700	1	DRAIN FILTER
3	R58006130	1	STEAM QUENCHING NOZZLE Ø 1
4	R11208160	1	HEAT EXCHANGER ACCESSORIES INCLUDED
5	R14213250	1	BURNER ASSEMBLY
6	R66110390	1	FLAME IGNITION CABLE/FLAME SENSOR CABLE
7	R63050100	2	IGNITOR
8	R63020170	1	GAS SOLENOID VALVE
9	R63120040	1	VENTURI TUBE
10	R63130010	1	GAS BURNER FAN MOTOR
11	R63140020	4	BURNER/HEAT EXCHANGER GASKET
12	R63140050	1	BURNER/FAN MOTOR GASKET
13	R63070010	1	GAS SAFETY PRESSURE SWITCH PG 901.61
14	R61630011	2	METAL CLAMPS 12-22/9
15	R61630021	2	METAL CLAMPS 30-45/9
16	R70060100	1	DAMPER SYSTEM CAP GASKET
17	R70060010	1	SILICON COUPLING Ø 30
18	R70060080	1	SILICON COUPLING Ø 13
19	R62090478	3	ELBOW MIDDLING PIPE FITTING D.10

POS.	CODE	PIECES	DESCRIPTION
20	R62090458	1	STRAIGHT MIDDLING PIPE FITTING D.10
21	R62090508	1	10X1/4 STRAIGHT THREADED TERMINAL PIPE FITTING
22	R62030118	1	1/8"-1/4" FEMALE REDUCTION COUPLING
23	R63070050	1	WATER SAFETY PRESSURE SWITCH 1/8" 0,5-0,35 BAR
24	R70070060	1	PE D.10 MM X7 WATER FLEXIBLE PIPE (2 MT LONG)
25	R58004200	1	ORIFICE (FOR VERSION LIQUID GAS)
26	R62180082	1	GAS INLET FLEXIBLE PIPE

