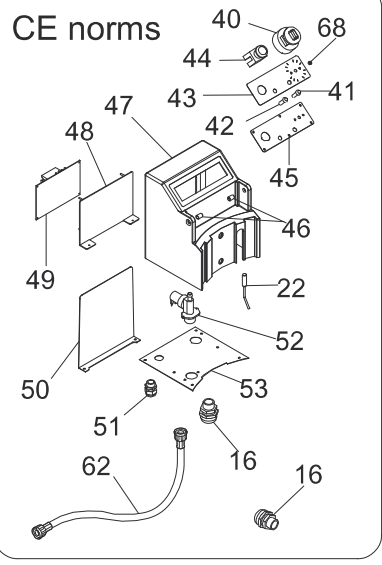


Rif./Ref.	Codice/Code	Sigla /Features	Descrizione/Description
1	35V6381		Bracket
+ 2	3600310		Magnet
3	SL3156		Cover
4	36D9550		Bush
5	36M5090		Handle
+ 6	SL3317		Gasket
7	SA1130	Assembly	Emery cloth
8	SL3300		Gasket
9	SL3199		Bottom
10	36D9660		Leaper
11	33Q6210	1/4" M-F	Nipple
12	33Q6040	L 90° M-F	Nipple
13	33Q5180	1/4" M ø12	Cluch
14	36G2040		Pivot
15	SL3143		Housing
16	32D1090	PG21	Sheathing clamp
+ 17	37Q7860		Gasket
18	36C0011		Frame
19	SL3197		Door
20	SA1093	Assembly	Handle
+ 21	3600160		Magnet
+ 22	32W3240	CE norms	Microswitch
23	SL3231		Tap
24	SL3198		Shaft
25	SL3006	ø35xø62x10	Oil seal
26	SL3191	6305 2RS	Bearing
27	SL3217		Spacer
28	SL3195		Pulley
+ 29	SL3159	Poly V-723 J16	Belt
30	SL3181		Flange
31	SL3155		Pulley
32	SL0089	400V/3Ph/50Hz	Motor

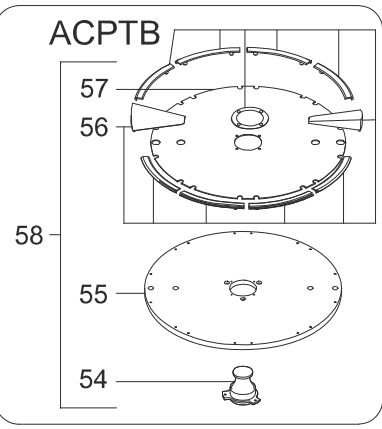
Rif./Ref.	Codice/Code	Sigla /Features	Descrizione/Description
32	SL3270	230V/1Ph/50Hz	Motor
33	SL3154	ø90 (PPN25)	Tube
33	35X1150	ø90 (PPF25)	Tube
34	SL2720	ø100-ø50 (PPN25)	Reduction
35	SL2719	L 90° ø50 (PPN25)	Bend
36	SL3192		Bracket
37	SL3368	(PPN25)	Bottom
37	SL3224	(PPF25)	Bottom
38	SL3223	(PPN25)	Foot
39	ACCB	(PPF25)	Frame
+	40	SA1087	Timer
+	41	32W2970	230V 2W green
+	42	32W3280	230V 2W white
	43	SL3705	Label
	43	SL3530	01/12/08 f.p.(*)
+	44	SA1088	Unstable
	45	SL3693	Panel
	45	30A3620	01/12/08 f.p.(*)
	46	36D7310	Bush
	47	36Z0690	Box
	48	SL2785	Plate
+	49	SL2921	Electronic card
	50	35M8840	Covering
	51	SL0893	PG13,5
+	52	33D1371	230V/50-60Hz 3/4" M
	53	SL2939	Plate
	54	36M5250	Knob
	55	SL3149	Disk
+	56	SA3650	Plastic (PTB)
	57	SL3151	Emery cloth
	58	ACPTB	Assembly
	59	SA3660	Assembly
			Potato disk
			Cover

Rif./Ref.	Codice/Code	Sigla /Features	Descrizione/Description
60	SA1074	Assembly	Door
61	SL2349		Pivot
62	33M0010	3/4" F-F	Tube
63	SL1622	1/4" M-F	Cock
64	SL2904		Bracket
65	SA1092	Assembly	Timer
66	SL2745	ø50÷ø70 (PPN25)	Clip
67	3140460	ø88÷ø96	Clip
68	SL0772	V-8-S	V-ring
69	SL3201	ø62	Seeger

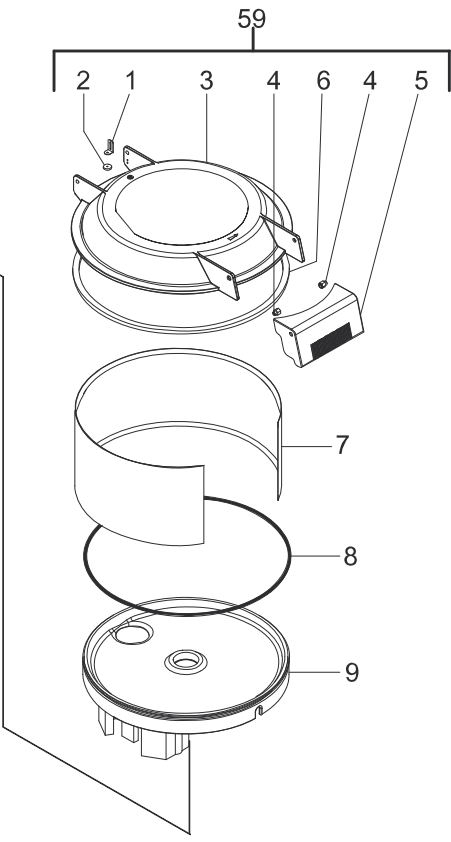
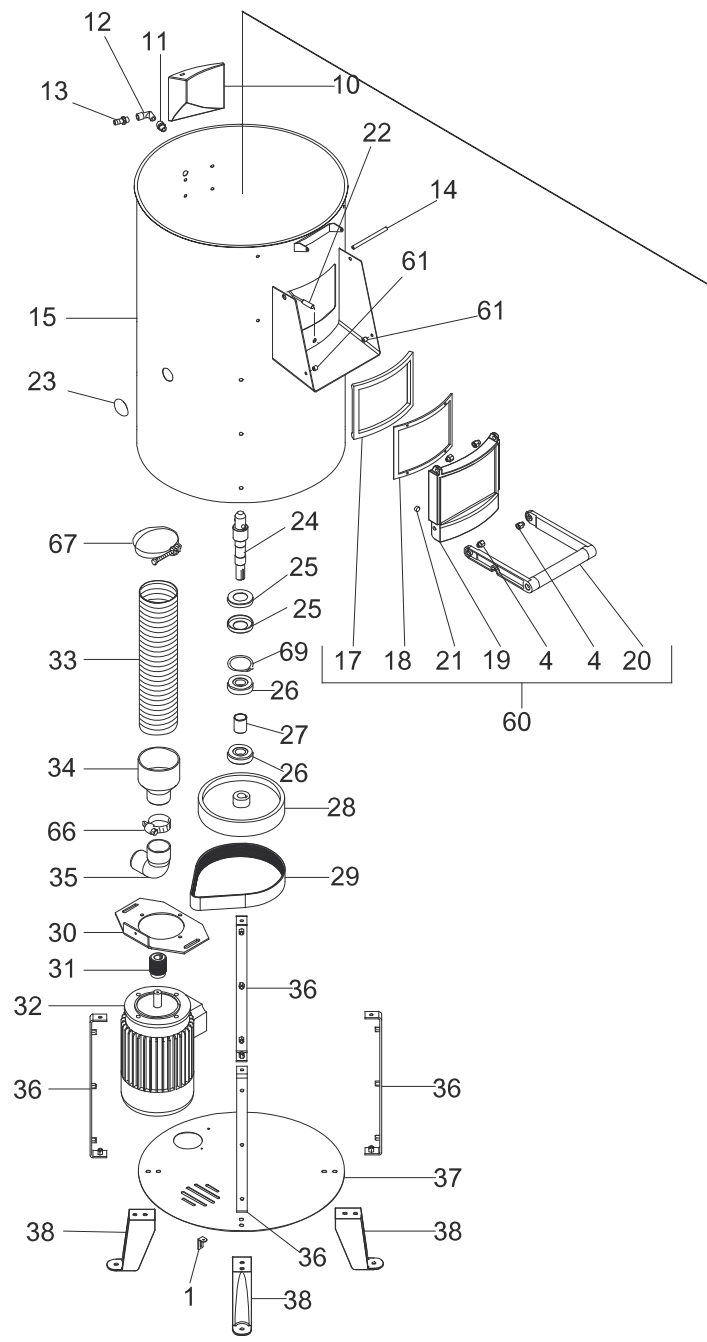
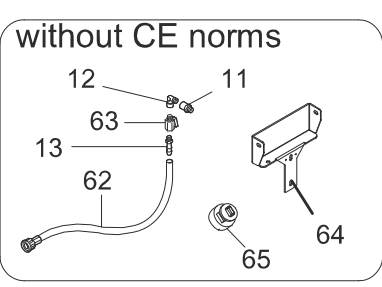
CE norms



ACPTB



without CE norms



ACCB

