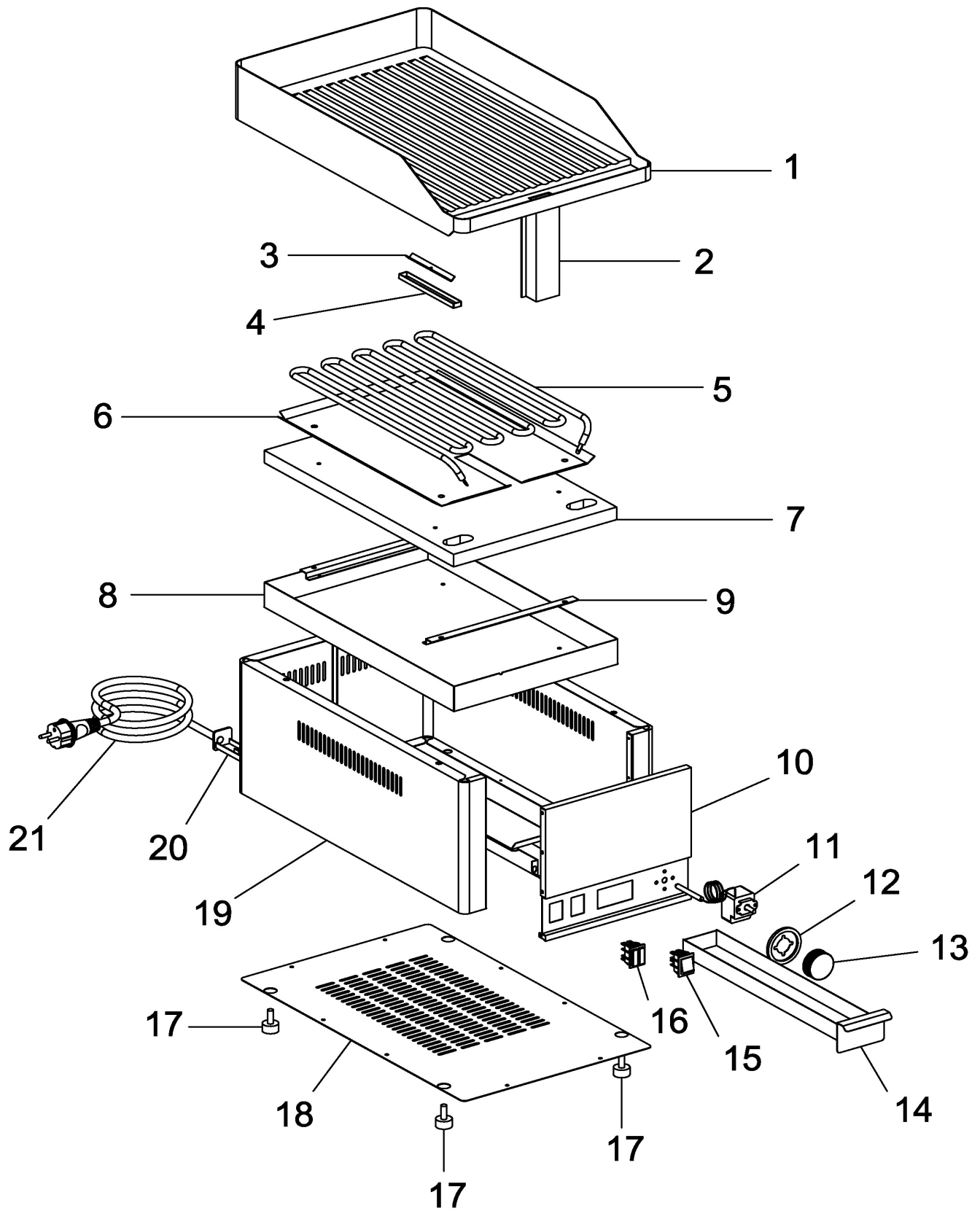


FRY1-2R-L-LR



FRY1-2R-L-LR

Pos. Ref.	Codice Code	Caratteristiche Features	Descrizione Description	
1	CO0353	(FRY1R) grooved	Piano	Surface
1	CO0355	(FRY1L) smooth	Piano	Surface
1	CO0356	(FRY2L) smooth	Piano	Surface
1	CO0357	(FRY2LR) smooth-grooved	Piano	Surface
3	CO0880	smooth	Staffa	Bracket
3	CO0881	grooved	Staffa	Bracket
4	CO0882		Piastra	Plate
5	CO0864	230V/1Ph/50-60Hz	Resistenza	Resistance
5	CO4902	12/05/09 f.p.(*)	Resistenza	Resistance
11	CO4883	●	Termostato	Thermostat
12	CO4904		Ghiera	Locking ring
13	CO4880		Pomello	Knob
14	CO0883		Cassetto	Tray
15	SA1097	●	Interruttore	Switch
16	SL3323	●	Lampada	Lamp
17	CO4903		Piedino	Foot
20	CO0878		Pressacavo	Cable clamp
21	CO0876	1Ph+N+Gnd	Cavo elettrico	Electric cable

(*) : fuori produzione / out of production

● : ricambio consigliato / spare part suggested