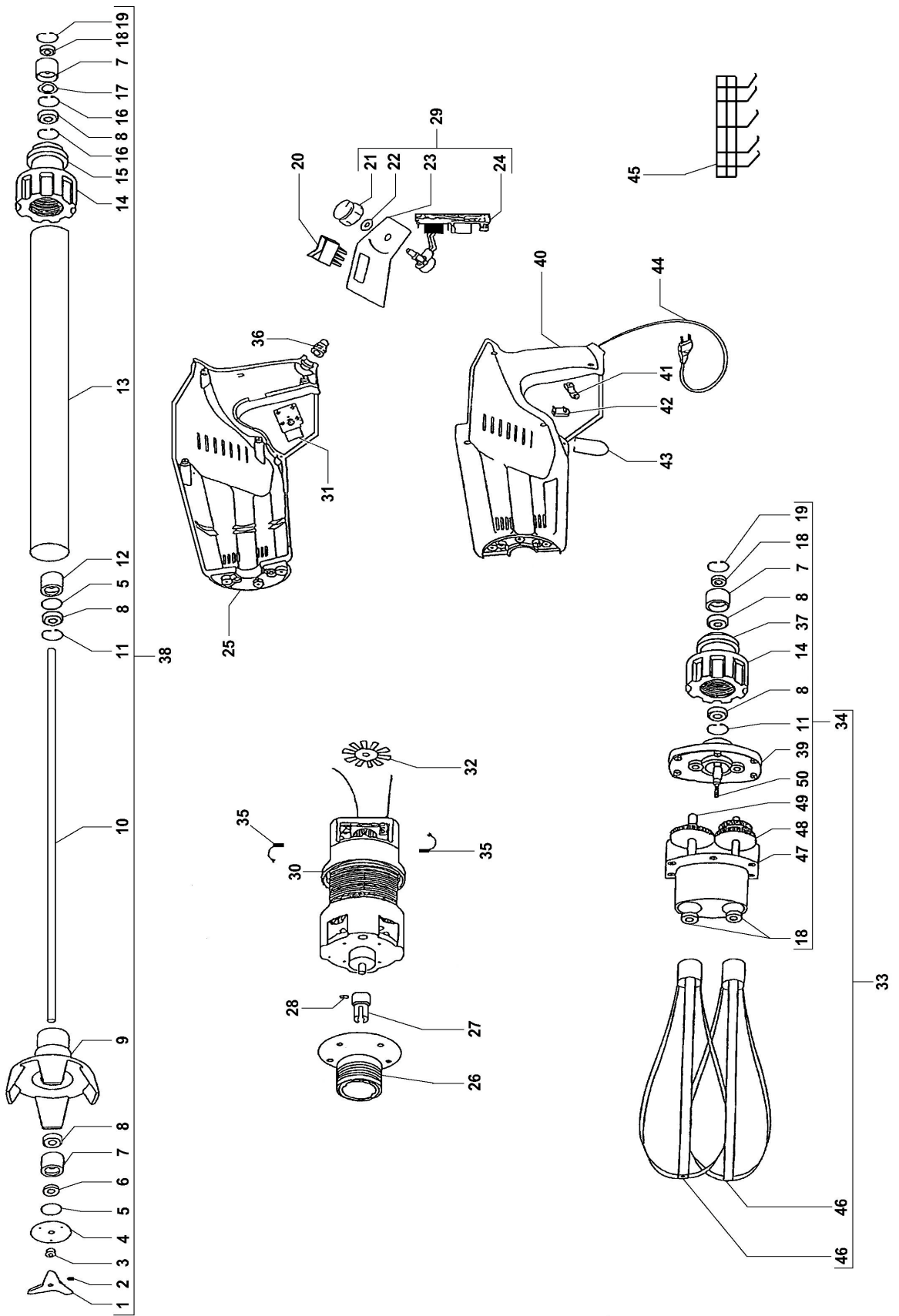


Mescolatore-frusta mod.FM3
Mixer & whisk mod.FM3



MESCOLATORE-FRUSTA MOD.FM3 MIXER & WHISK MOD.FM3

Rif No	Codice Code	Caratteristiche Characteristics	Descrizione Description	
1	SL0744		Coltello	Cutter
2	SL0769	M5x6 A2	Grano	Grub screw
3	SL0772	V-8-S	V-ring	V-ring
4	SL0777		Disco	Disk
5	SL0773	OR 128	O-ring	O-ring
6	SL1454	8x18x6	Paraolio	Oil seal
7	SL0740		Boccola	Bush
8	SL0271	608H ZZ inox	Cuscinetto	Bearing
9	SL0775		Campana	Bell
10	SL0776	ø8 L=400	Albero	Shaft
10	SL0976	ø8 L=300	Albero	Shaft
10	SL0977	ø8 L=350	Albero	Shaft
10	SL0978	ø8 L=500	Albero	Shaft
10	SL0979	ø8 L=600	Albero	Shaft
11	SL0749	ø22	Seeger	Seeger
12	SL0879		Boccola	Bush
13	SL0747	ø40x2 L=400	Tubo	Tube
13	SL0972	ø40x2 L=300	Tubo	Tube
13	SL0973	ø40x2 L=350	Tubo	Tube
13	SL0974	ø40x2 L=500	Tubo	Tube
13	SL0975	ø40x2 L=600	Tubo	Tube
14	SL0742		Ghiera	Locking ring
15	SL0741		Supporto	Support
16	SL0898	ø8	Seeger	Seeger
17	SL0748	ø22	Anello	Ring
18	SL0746	8x18x5	Paraolio	Oil seal
19	SL0750	ø25	Seeger	Seeger
20	SL0758		Interruttore	Switch
21	SL1458		Pomello	Knob
22	SL1457		Dado	Nut
23	SL0760		Piastra	Plate
24	SL0756	230V/1Ph/50-60Hz	Scheda elettronica	Electronic card
25	SL0730	Blue-right	Copertura	Covering
26	SL0732		Flangia	Flange
27	SL1496		Giunto	Joint
28	SL0129	M5x10 A2	Grano	Grub screw
29	SA3600	Assembly	Comandi	Controls
30	SL0755	230V/1Ph/50-60Hz	Motore	Motor
31	SL0757		Interruttore	Switch
32	SL2818		Ventola	Fan
33	FRUSTAFM3	Assembly	Frusta	Whisk
34	SA9500	Assembly	Riduttore	Gear box
35	SL2815		Spazzola	Brush
36	SL0762		Pressacavo	Cable clamp
37	SL0734		Supporto	Support
38	MESCFM340	L=400 (Assembly)	Mescolatore	Mixer
38	MESCFM330	L=300 (Assembly)	Mescolatore	Mixer
38	MESCFM335	L=350 (Assembly)	Mescolatore	Mixer
38	MESCFM350	L=500 (Assembly)	Mescolatore	Mixer
38	MESCFM360	L=600 (Assembly)	Mescolatore	Mixer
39	SL0774		Coperchio	Cover
40	SL0731	Blue-left	Copertura	Covering
41	SL0745	Blue	Piastra	Plate
42	SL0840	Blue	Piastra	Plate
43	SL0770		Gancio	Claw
44	SL0761	1Ph+N	Cavo elettrico	Electric cable
45	SL0771		Portautensili	Accessory stand
46	SL0743		Frusta	Whisk
47	SL0733		Scatola	Box
48	SA8900		Ingranaggio	Gear
49	SA8800		Ingranaggio	Gear
50	SL0739		Ingranaggio	Gear

(*): fuori produzione / out of production