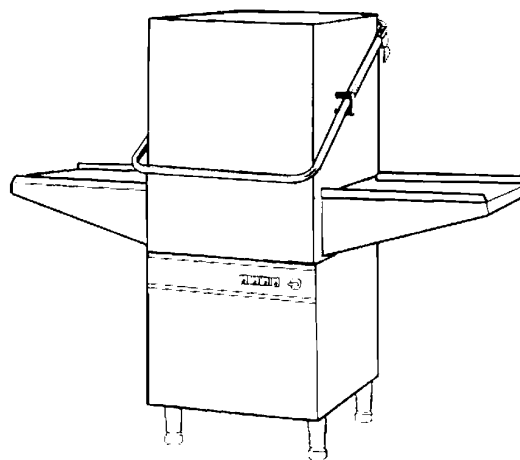


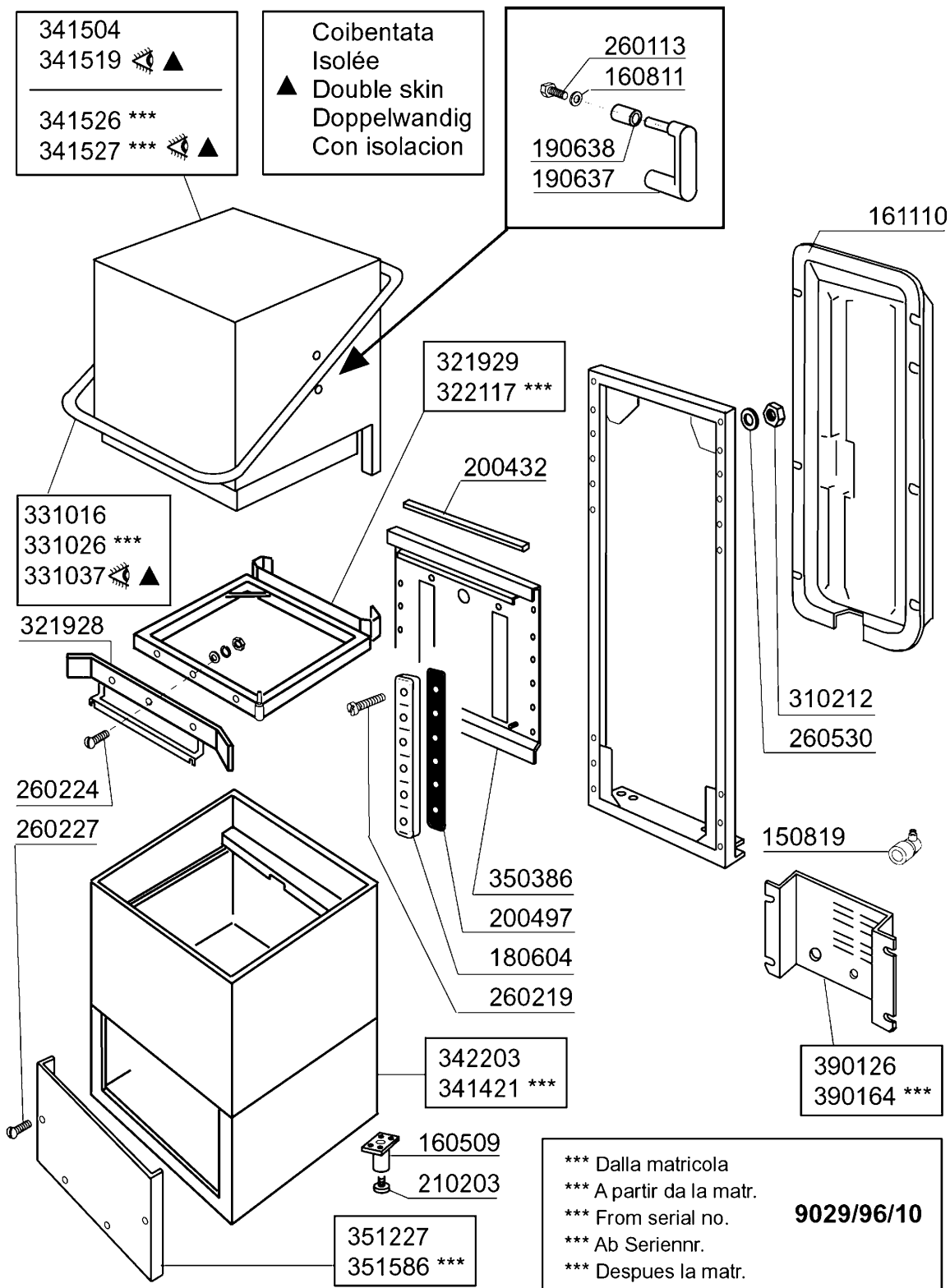
PARTI DI RICAMBIO
PIECES DETACHEES
SPARE PARTS
ERSATZTEILE
LISTA DE RECAMBIOS

LC 380

03/94



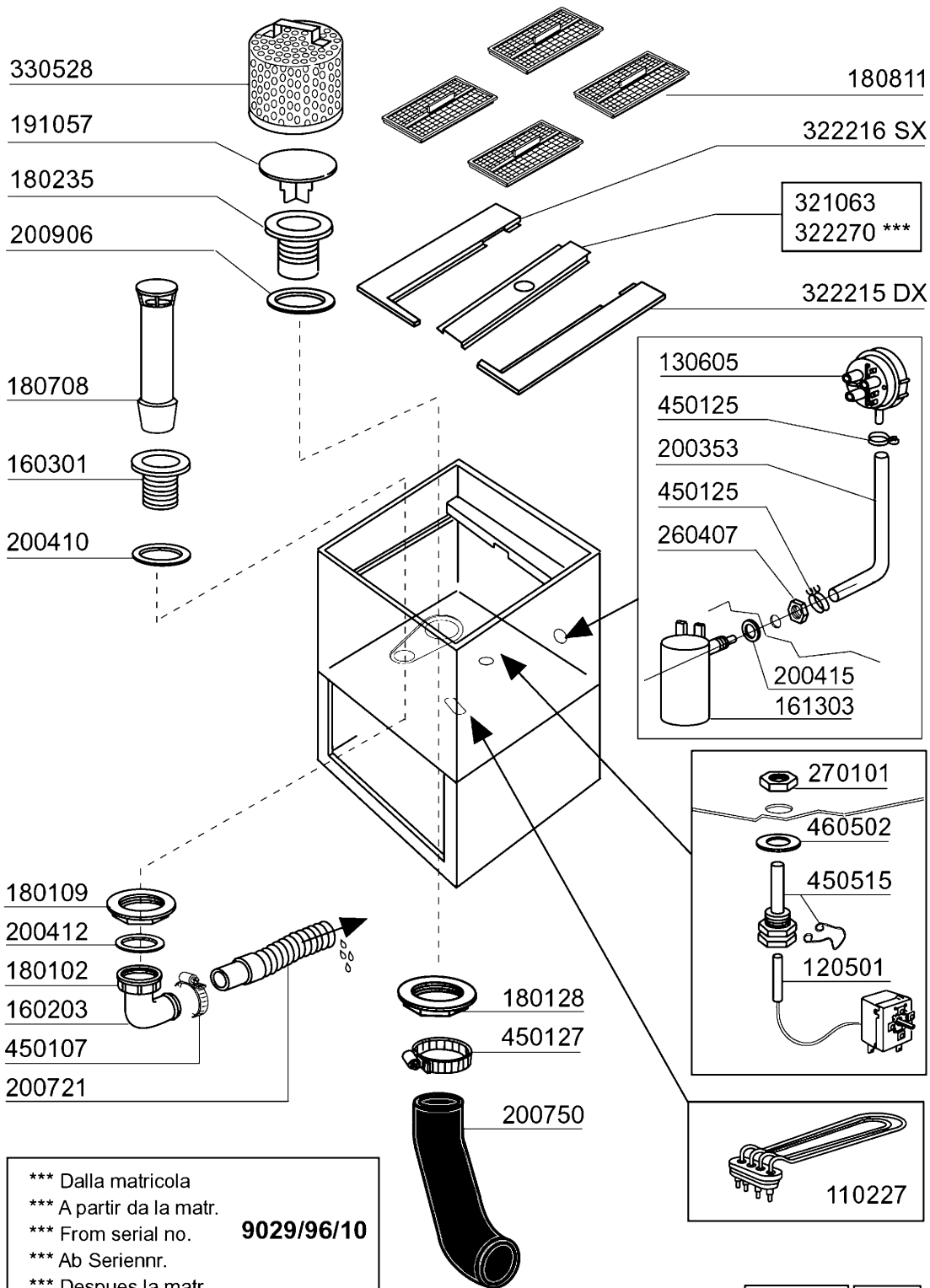
03 - 2001 | S. AG.



03 - 2001 | S. A.G.

2 - Hood

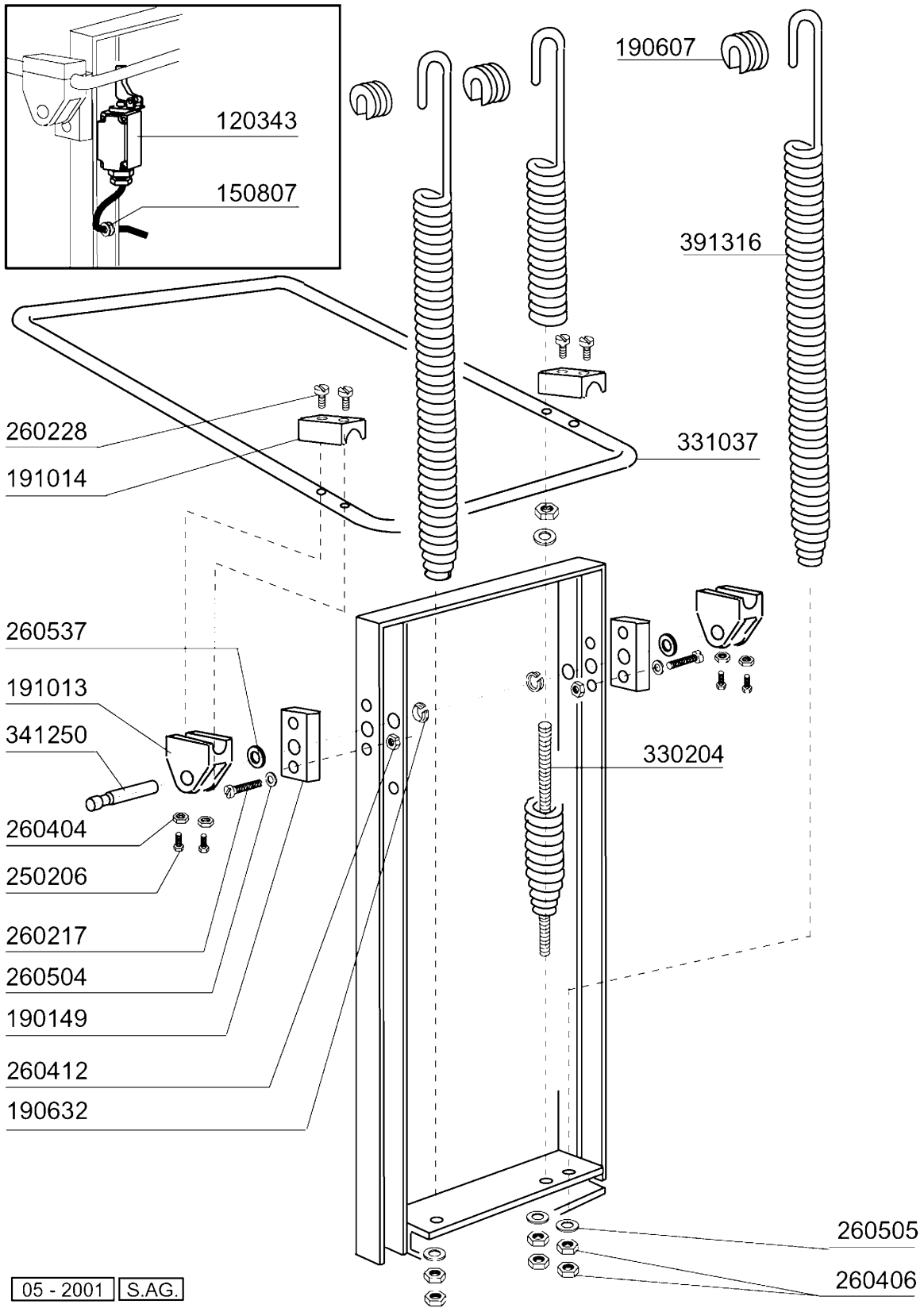
CODE	DESCRIPTION
150819	CABLE HOLDER PG16 WITH HOLE
160509	FOOT SUPPORT
160811	WASHER F2 18X8.5X1 ALGOF
161110	BACK COVER S90-C85-140
180604	GUIDE F. HOOD C33-34 GRAY
190637	GUIDE FOR DOOR "C"
190638	ROLLER FOR "C" DOOR GUIDE
200432	SPONGY RUBBER ADHESIV 8X4 NEOP
200497	GASKET FOR DOOR GUIDE C85-C140
210203	RUBBER FOOT 30 MM
260113	STAINL.ST.TE SCREW 8X20 A2 UNI
260219	STAINL.ST TCP SCREW 6X35 A2 UN
260224	TB-SCREW 6X15 B23-10-11-12
260227	M5 X 30 MUSHROOM HEAD SCREW
260530	STAINL.ST WASHER 7X22X2
310212	BLIND NUT M6 BLACK NYLON
321928	PLATE F.GUIDE C140
321929	RACK GUIDE C140
322117	RACK GUIDE C95-C155
331016	HANDLE (331026)
331026	HANDLE (331037)
331037	HANDLE C95-155-165 ISOLATED
341421	FRAME
341504	HOOD C85-C140
341519	ISOLATED HOOD FOR C85-C140
341526	HOOD C95-C155
341527	INSULATED HOOD FOR C95-155-165
342203	TANK LC380
350386	BACK PANEL
351227	FRONT PANEL C85
351586	FRONT PANEL LC380
390126	PANEL (390170)
390164	LOWER BACK PANEL LC380



*** Dalla matricola
 *** A partir da la matr. **9029/96/10**
 *** From serial no.
 *** Ab Seriennr.
 *** Despues la matr.

3 - Tank

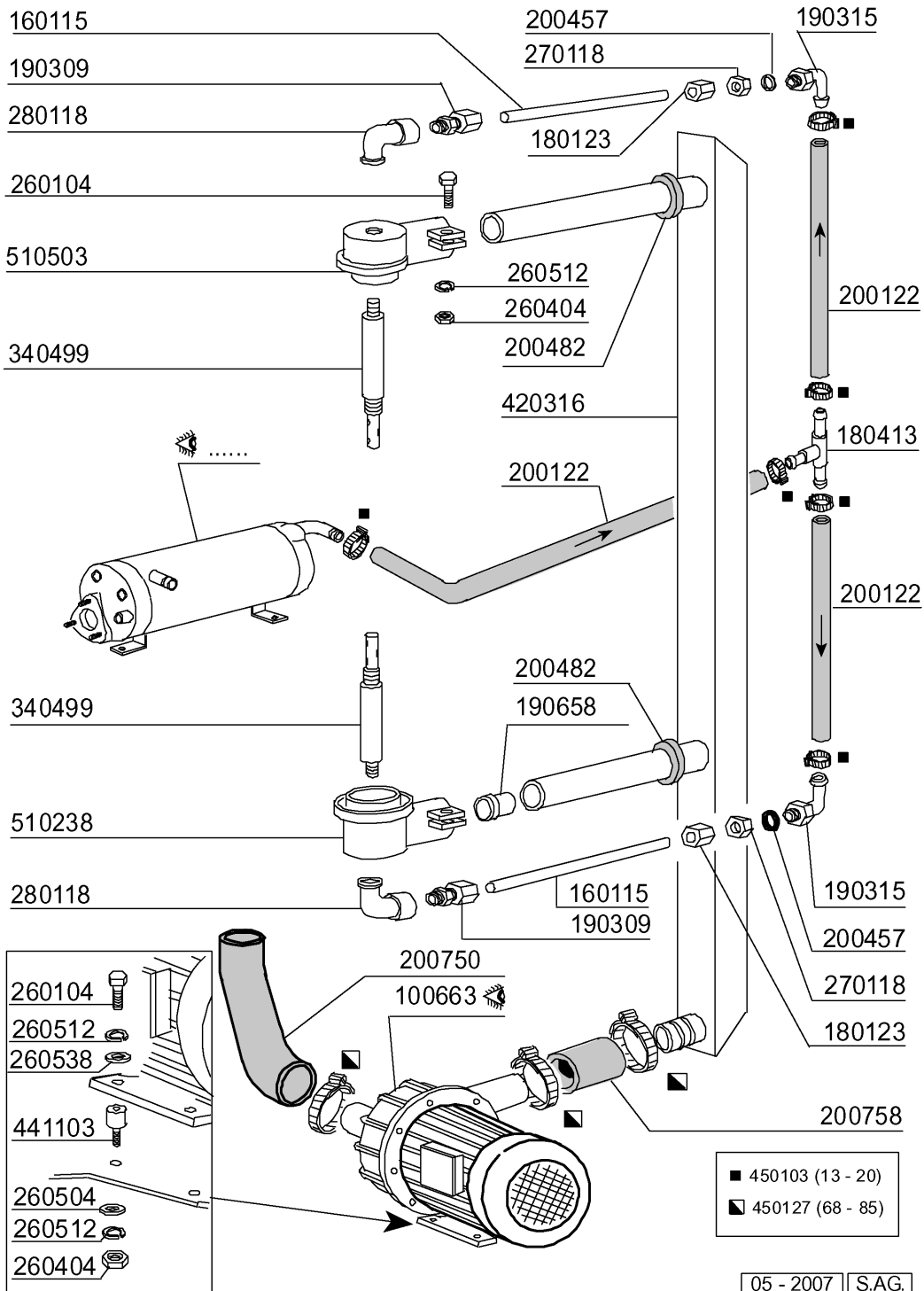
CODE	DESCRIPTION
110227	HEAT. ELEMENT 3000W 230/400V
120501	THERMOSTAT 30/90°C
130605	PRESSURE SWITCH 50-30 1 LEVEL
160203	ELBOW 1"1/2 N-S-F-C /DRAIN
160301	DRAIN OUTLET 1"1/2 C-S-N
161303	AIR TRAP GLASSWASHER
180102	DRAIN PIPE NUT 1"1/2 F45-55
180109	LOCK NUT 1 1/2"
180128	RING NUT 65,4 C140 C85
180235	PUMP SUCTION C85-140
180708	OVERFLOW STANDPIPE H189 C85-14
180811	FLAT STRAINER C34-S1600
191057	SUCTION HOSE COVER C85-C140
200353	PRESS.SWITCH HOSE B23-10-1-2-C
200410	DRAIN OUTL.WASH.1 1/2"65X47X2
200412	GASKET DRAIN 11/2" 45X33X3
200415	AIR TRAP GASKET -F2 18,5X10X3
200721	DRAIN HOSE 28X35 3MT.
200750	SUCTION HOSE C140
200906	GASKET D.92X66X2
260407	STAINLESS STEEL NUTS D10 UNI 5
270101	HEXAGON LOCK NUT 1/2"
321063	CENTR.CROSS PART F.FILTER SUPP
322215	RIGHT SIDE SUPPORT FOR LC380
322216	LEFT SIDE SUPPORT FOR LC380
322270	CROSS PART F. FILTER SUPPORT L
330528	STRAINER D.195 SNL C140
450107	CLAMP FE ZN 38-50 H=12,2
450125	ELASTIC CLAMP D. 10,4X9,8
450127	CLAMP FE ZN. 68-85 H=12,2
450515	STAINL.ST.SHIELD FOR 1 THERMOS
460502	GASKET 30X21X2



4 - Handle

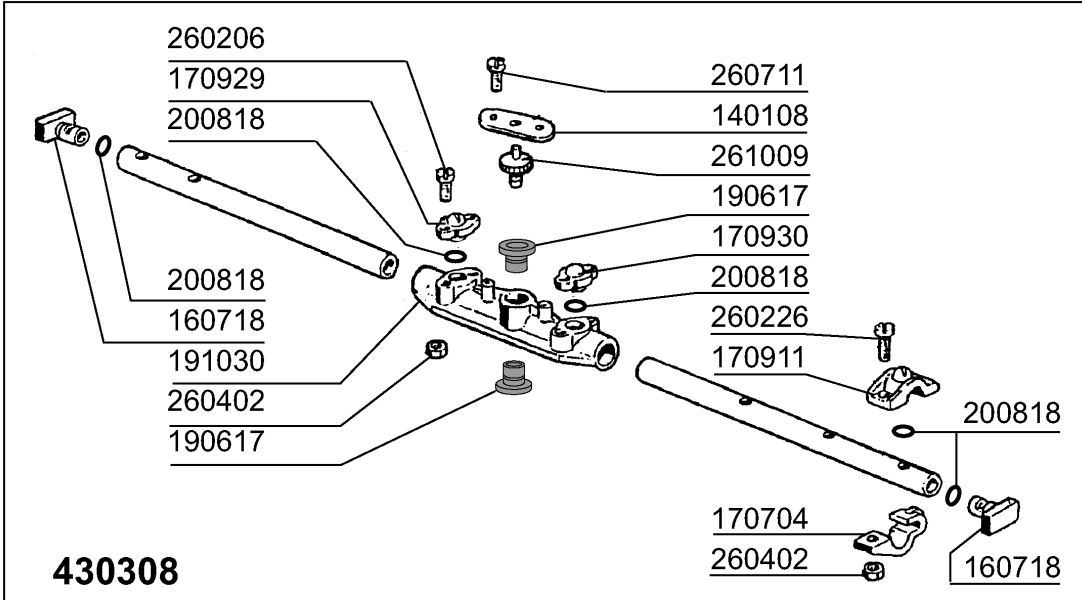
CODE	DESCRIPTION
120343	MICRO SWITCH (120364)
150807	CABLE HOLDER D.8 PVC
190149	REINFORCEMENT FOR HANDLE SUPP.
190607	HANDLE BUSH C30-70
190632	"NYLINER" BUSH
191013	HINGE F. SUPPORT C30-C70
191014	FLANGE F. HANDLE C30-70
250206	GRUB SCREW D.6
260217	SCREW TCP 6X25
260228	STAINL.ST SPECIAL SCREW 6X42 3
260404	STAINLESS STEEL NUTS D6 UNI 55
260406	NUT 8MA
260412	SELF-LOCKING NUT M6
260504	ST/ST FLAT WASHER D6
260505	STAINL.STEEL FLAT WASHER D8
260537	STAINL.STEEL FLAT WASHER D13X2
330204	SPRING HOOK C95/155-LC380
331037	HANDLE C95-155-165 ISOLATED
341250	HANDLE PIN C85 C140
391316	SPRING FOR HANDLE C85/140-G75

5 - Wash/Rinse column

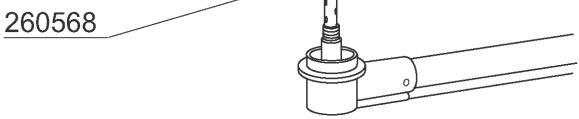
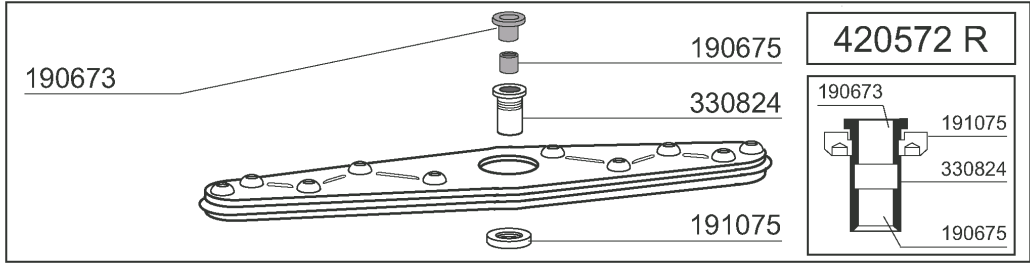
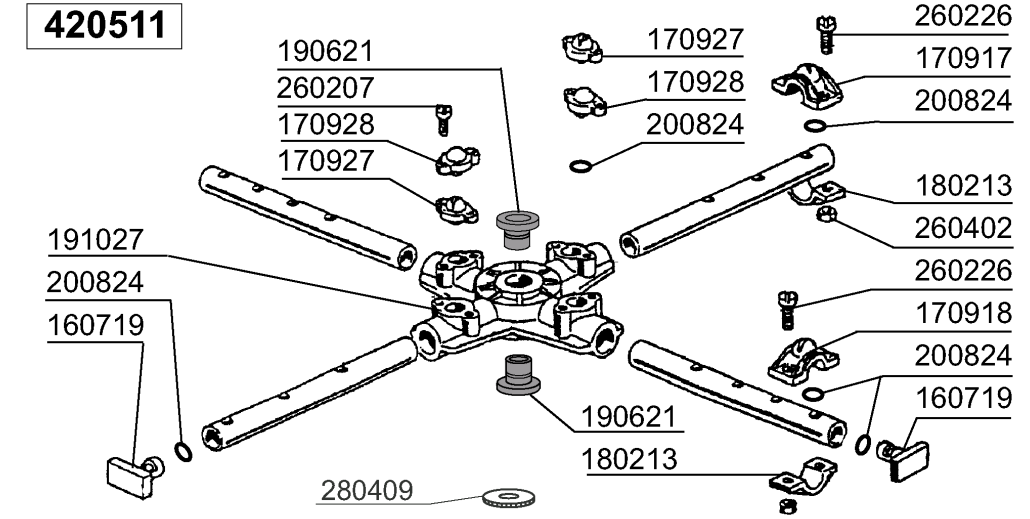


5 - Wash/Rinse column

CODE	DESCRIPTION
100663	PUMP HP 1,5 220/380/50HZ
160115	PL.TUBE.D.9.5 B41 (3/8) C30-
180123	CONNECTION NUT / RINSE 5/8 C30
180413	TEE NIPPLE D.11,5 - RINSE ASSE
190309	CONNECTION STRAIGHT 3/8"B41C30
190315	ELL RINSE C30-70
190658	BUSH
200122	HOSE 11X19
200457	GASKET D.24X16X3 NEOPRENE
200482	GASKET 60X54 RAMP C140
200750	SUCTION HOSE C140
200758	DELIVERY HOSE C140
260104	STAINL.ST TE-SCREW A2 6X16 UNI
260404	STAINLESS STEEL NUTS D6 UNI 55
260504	ST/ST FLAT WASHER D6
260512	ST/ST GROWER WASHER D6
260538	WASHER 18X6X1,5 ST/ST
270118	NUTS FOR ELBOW 5/8 C30-70
280118	ELL FF 3/8" - 1/4" C140-155
340499	SPINDLE CENTR. CROSS C34
420316	WASH RAMP C140
441103	PUMP FEET
450103	CLAMP FE ZN. 13-20 H=9
450127	CLAMP FE ZN. 68-85 H=12,2
510238	NICKEL-PLATED WASH-RINSE ARM
510503	UPPER WASH ARM SUPPORT LP-LC



420511

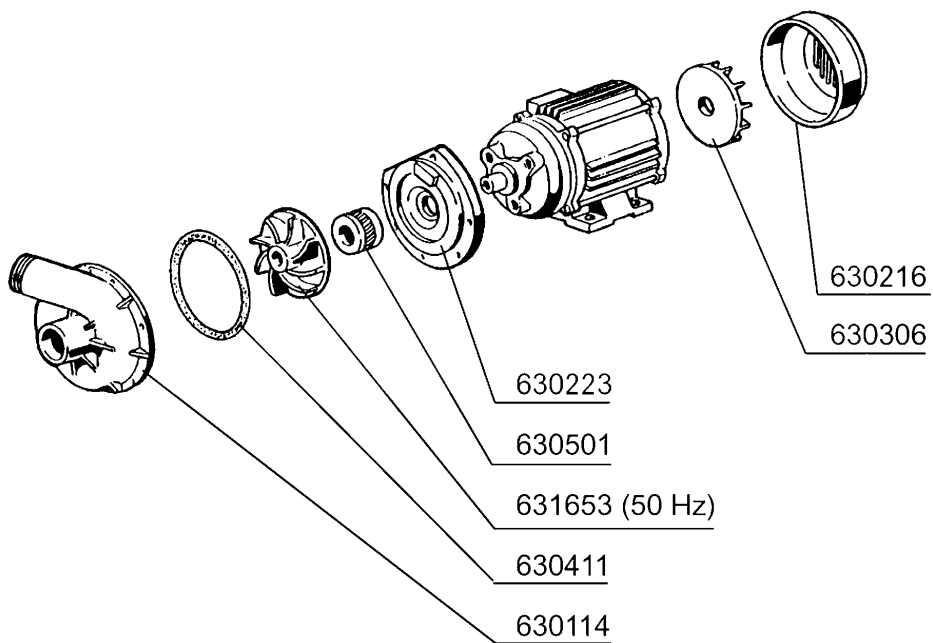
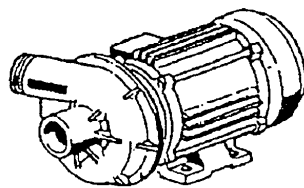


11/2012 M.S

6 - Wash and rinse arm

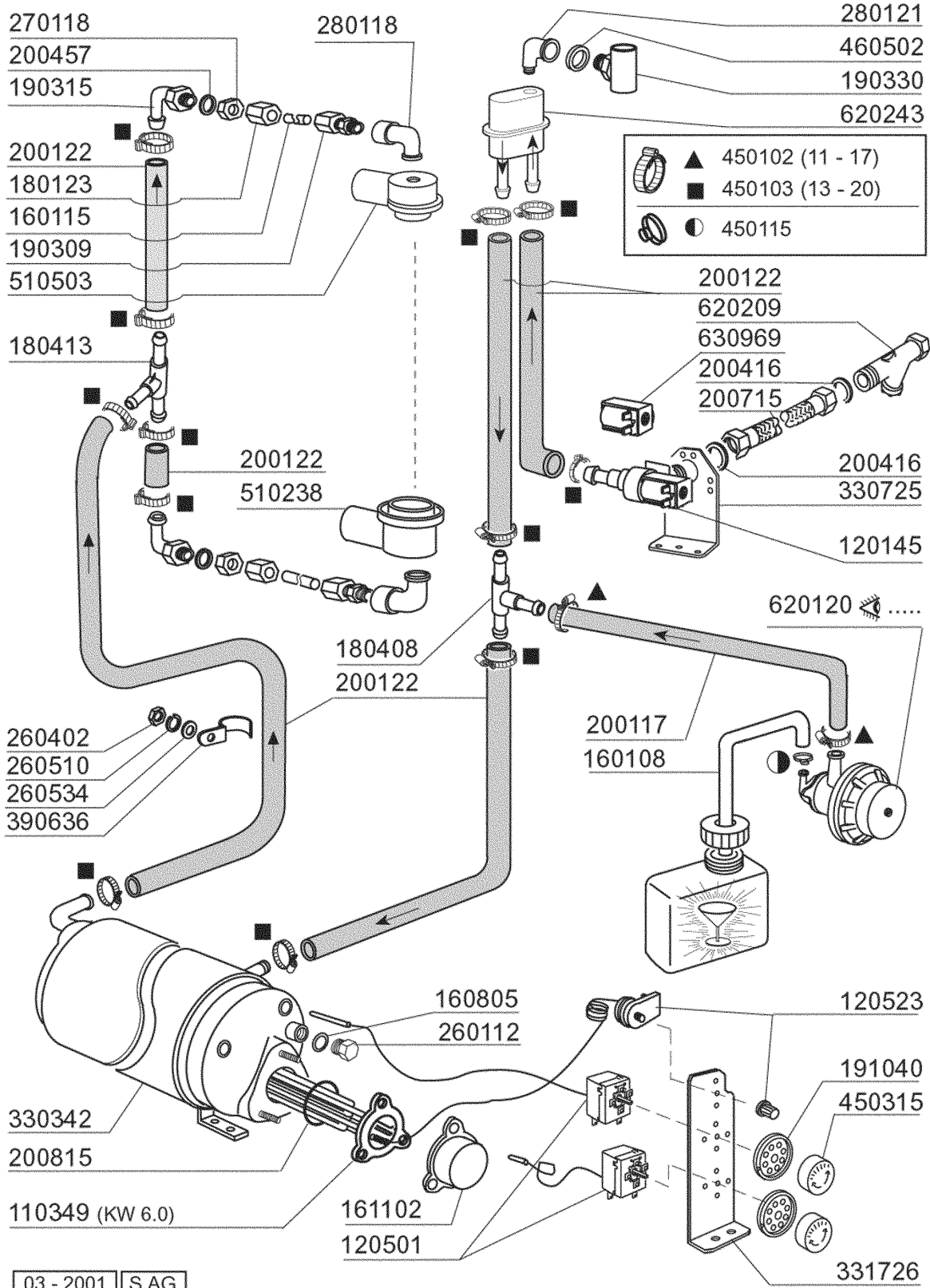
CODE	DESCRIPTION
140108	PLATE FOR WASH ARM
160718	PLUG F. RINSE ARM F2-C34M
160719	PLUG FOR WASH ARM D.18
170704	RINSE NOZZLE BOTTOM F-B-C33
170911	RINSE JET B23-F2-C34
170917	WASH JET RIGHT C34
170918	WASH JET LEFT C34
170927	WASH JET F2-C-GRAY
170928	IDLE JET F2-C-GRAY
170929	RINSE JET F2-C-GRAY
170930	IDLE JET F2-C-GRAY
180213	FLANGE F.JET LOCKING F2-C34
190617	BUSH
190621	BUSHING CENTR.CROSS C34
190673	BUSH
190675	BUSH
191027	CENTRAL CROSS C34-140
191030	CENTRAL CROSS RINSE C34-140
191075	RETAIN.LOCK
200818	O-RING 1,78 X 6,75 X 10,31
200824	O-RING 1,78X12,42X15,98
260206	SCREW TCP 4X22
260207	STAINL.ST TCP SCREW4X25 A2 UNI
260226	STAINL.ST TCP SCREW 4X12 A2 UN
260402	STAINLESS STEEL NUT D4 UNI 55
260568	S/S FLAT WASHER D.28X21X1
260711	SCREW 4,2X13 A2 DIN7972
261009	RETAIN.SCREW FOR WASH-RINSE AR
280409	RETAIN.LOCK NUT CENTR.CROSS C1
330824	WASH ARM CENTER (STAINL.)
420511	WASH ARM ASSEMBLY C140
420572R	WASH ARM LC
430308	RINSE ARM ASSEMBLY C34 - C140

100663 220/240/380/415 V - 50 Hz - HP 1,5 HP. - Kw 1,1 (1241)



7 - Pump

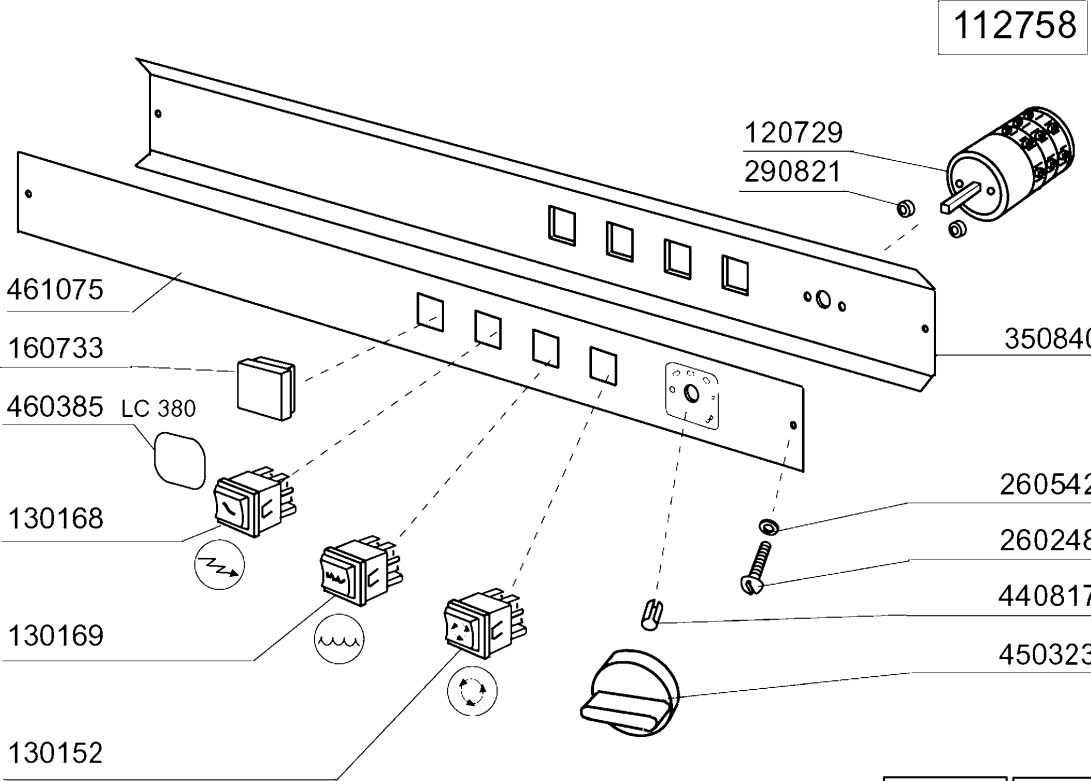
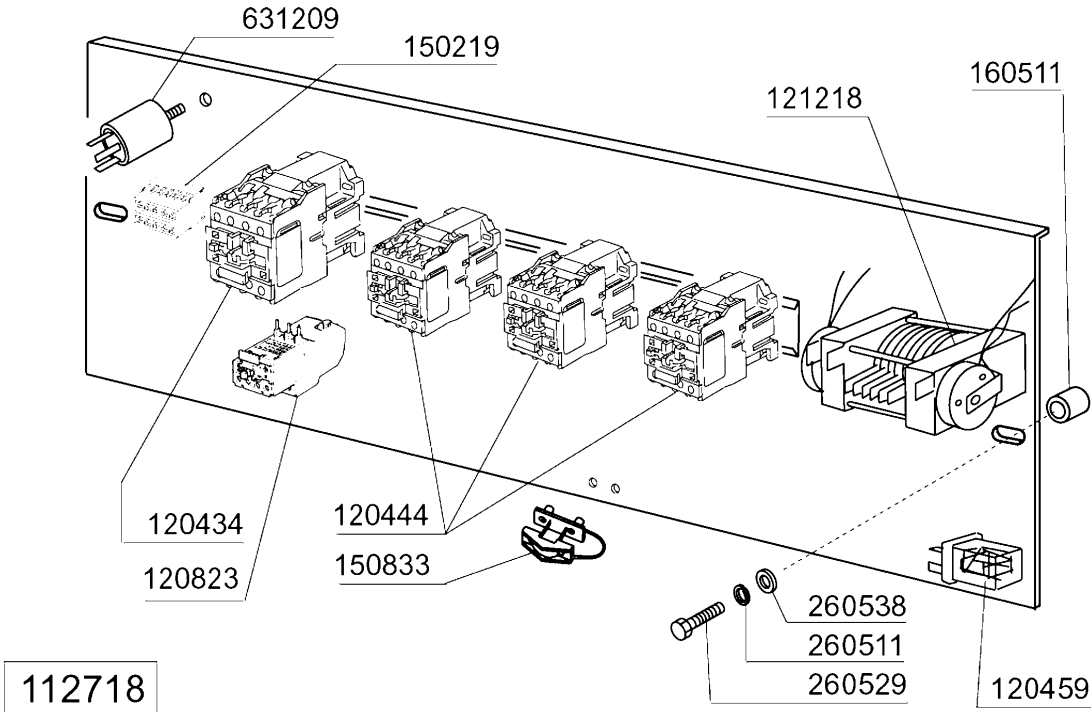
CODE	DESCRIPTION
100663	PUMP HP 1,5 220/380/50HZ
630114	VOLUTE FI HP2-2,7-3-3,2
630216	FAN HOUSING FIR HP 2-3
630223	BACK PLATE PUMP HP2-3-3,2
630306	PUMP FAN IMPELLOR FI HP.2-3
630411	O-RING PUMP FI HP 2-2,7
630501	SEAL FOR PUMP HP 2-3-3,2
631653	PUMP IMPELLER 1,5 HP 50HZ 1241



03 - 2001 S.A.G.

8 - Rinse

CODE	DESCRIPTION
110349	HEAT.ELEMENT 6000W 230/400V
120145	SOLENOID VALVE 12 LT 1 WAY
120501	THERMOSTAT 30/90°C
120523	SAFETY THERMOSTAT 110°C
160108	INJECT.INLET HOSE D.8X5
160115	PL.TUBE.D.9.5 B41 (3/8) C30-
160805	GASKET D.8
161102	ELEMENT COVER MOPL.
180123	CONNECTION NUT / RINSE 5/8 C30
180408	TEE-NIPPLE F.INJECT.W/CENTR.RE
180413	TEE NIPPLE D.11,5 - RINSE ASSE
190309	CONNECTION STRAIGHT 3/8"B41C30
190315	ELL RINSE C30-70
190330	TEE FOR VAACUM BREAKER
191040	FRAME F.THERMOSTAT KNOB
200117	RUBBER HOSE 7X16
200122	HOSE 11X19
200416	GASKET D. 3/4"
200457	GASKET D.24X16X3 NEOPRENE
200715	HOSE WATER INLET 2M STAINL.ST
200815	O-RING F. HEAT. ELEM.
260112	STAINLESS STEEL TE-SCREW 8X16
260402	STAINLESS STEEL NUT D4 UNI 55
260510	GROWER WASHER D.4
260534	WASHER
270118	NUTS FOR ELBOW 5/8 C30-70
280118	ELL FF 3/8" - 1/4" C140-155
280121	ELL FOR VAACUM BREAKER
330342	BOILER C1000/1300-FC-LC
330725	STANDARD BRACKET F.SOLEN.VALV
331726	BRACKET FOR 3 THERMOSTATS
390636	BRACKET
450102	CLAMP FE ZN 11-17 H=9
450103	CLAMP FE ZN. 13-20 H=9
450115	ELASTIC CLAMP D.8,3/7,8
450315	KNOB F. THERMOSTAT 90°C
460502	GASKET 30X21X2
510238	NICKEL-PLATED WASH-RINSE ARM
510503	UPPER WASH ARM SUPPORT LP-LC
620120	RINSE AID INJECTOR
620209	INLET WATER FILTER
620243	VACUUM BREAKER (WITHOUT KIT)
630969	COIL S4216 220/50HZ

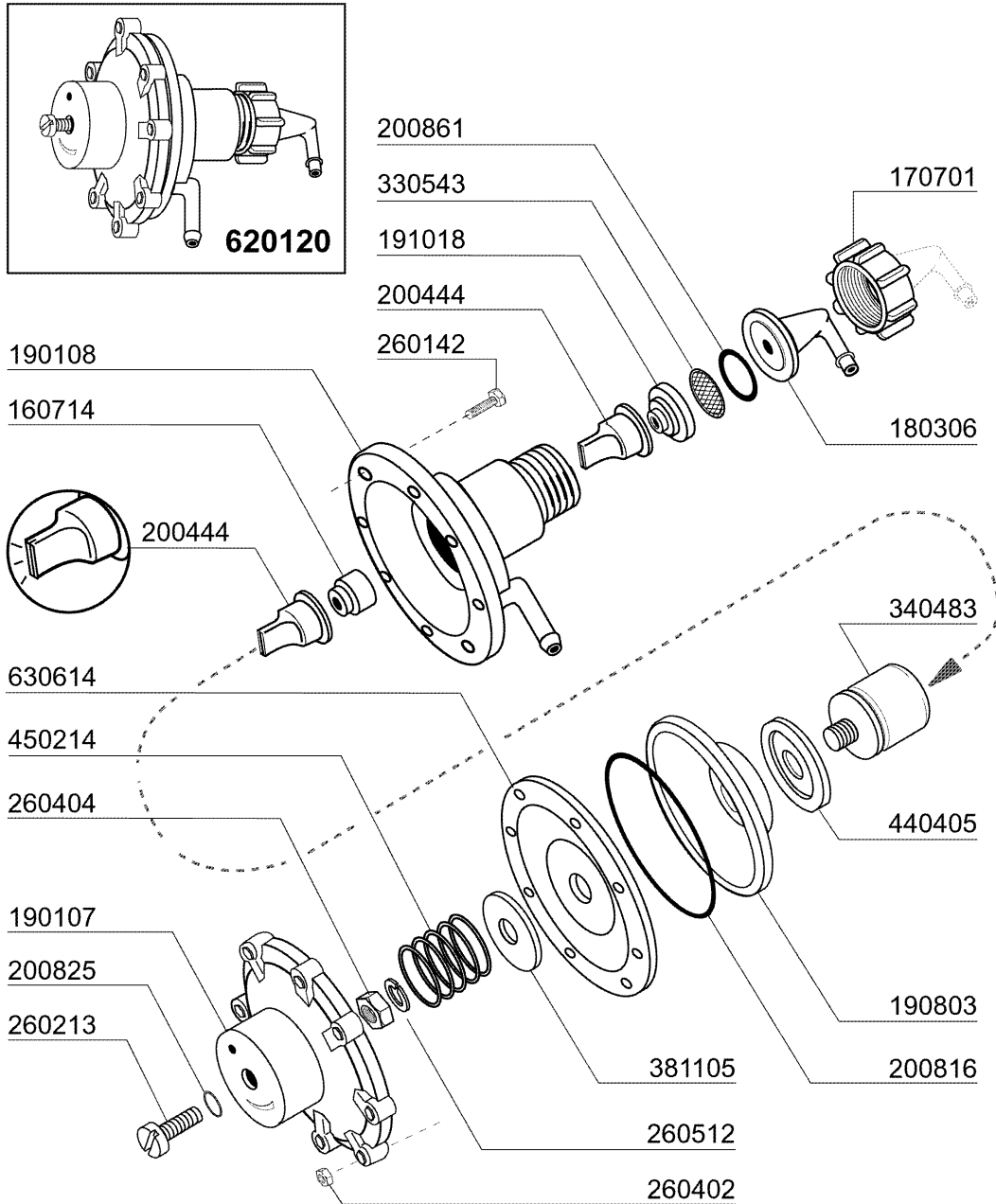


03 - 2001 S. AG.

9 - Control panel

CODE	DESCRIPTION
112718	WIRING LC380
112758	E-PANEL LP-LC
120434	CONTACTOR 9A 220V 50HZ
120444	CONTACTOR 9A 220V 50HZ
120459	AUXIL.RELE 16A 220V
120729	EIGHT-POLE SWITCH 16A 5 POS.
120823	OVERLOAD RELAY 2.5/4 A
121218	TIMER (120266)
130152	GREEN LIGHT "WORKING MACHINE"
130168	LAMP MACHINE ON - LAV-LINE
130169	LAMP MACHINE READY (LAV-LINE)
150219	TERMINAL BLOCK 5P MMQ165VD26
150833	CABLE HOLDER BC/BR
160511	SPACER 7,93 MOP
160733	BLANK PLATES
260248	SPECIAL SCREW TB 5X12
260511	GROWER WASHER D.5
260529	WASH RACKSUPP.WASHER D24 STAIN
260538	WASHER 18X6X1,5 ST/ST
260542	WASHER D.5
290821	DISTANCE PIECE FOR SWITCH
350840	PLATE SUPPORT C70-C85-C140
440817	SNAP RING LSCB/1853/17/00
450323	KNOB FOR BC-BR-C95-C155
460385	NAME LC380
461075	PLATE LP-LC
631209	ANTI-NOISE FILTER

10 - Rinse aid injector



02 - 2004 | S. AG.

10 - Rinse aid injector

CODE	DESCRIPTION
160714	PLUG FOR RINSE AID INJECTOR MO
170701	LOCK NUT 1/2" F.INJECTOR
180306	NIPPLE F.RINSE AID INJECTOR
190107	COVER FOR RINSE AID DISPENSER
190108	VOLUTE FOR RINSE AID DISPENSER
190803	GASKET SUPPORT RING F.INJECT
191018	FILTER SUPPORT RINSE AID INJEC
200444	SUCTION VALVE RINSE INJECTOR
200816	O-RING 2,5X59,2X64,2 RINSE INJ
200825	O-RING 3X5X11 RINSE INJECTOR
200861	O-RING 14X18X2
260142	SCREW TE 4X16
260213	SCREW TCP 5X25
260402	STAINLESS STEEL NUT D4 UNI 55
260404	STAINLESS STEEL NUTS D6 UNI 55
260512	ST/ST GROWER WASHER D6
330543	FILTER RINSE AID INJECTOR D.17
340483	PISTON FOR RINSE AID DISPENSER
381105	DIAPHRAGME DISC
440405	GASKET FOR RINSE AID INJ.
450214	SPRING RINSE AID INJECTOR
620120	RINSE AID INJECTOR
630614	DIAPHRAGM RINSE INJECTOR