

EXPLODED VIEWS

04-04 EXPLODED PR.G-E-V



Printing date: 22/12/2017

Validity

From Serial Number: 28353 / 2011

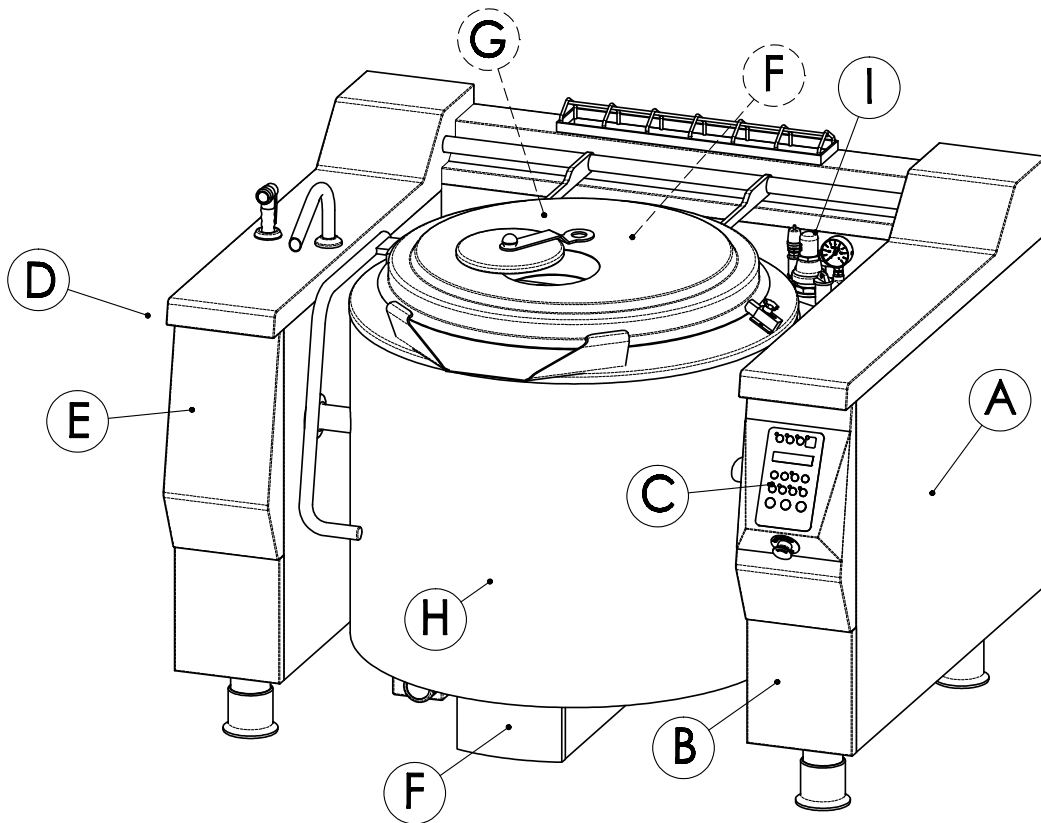
To Serial Number: All untill printing date

Legend: C = Suggested spare parts

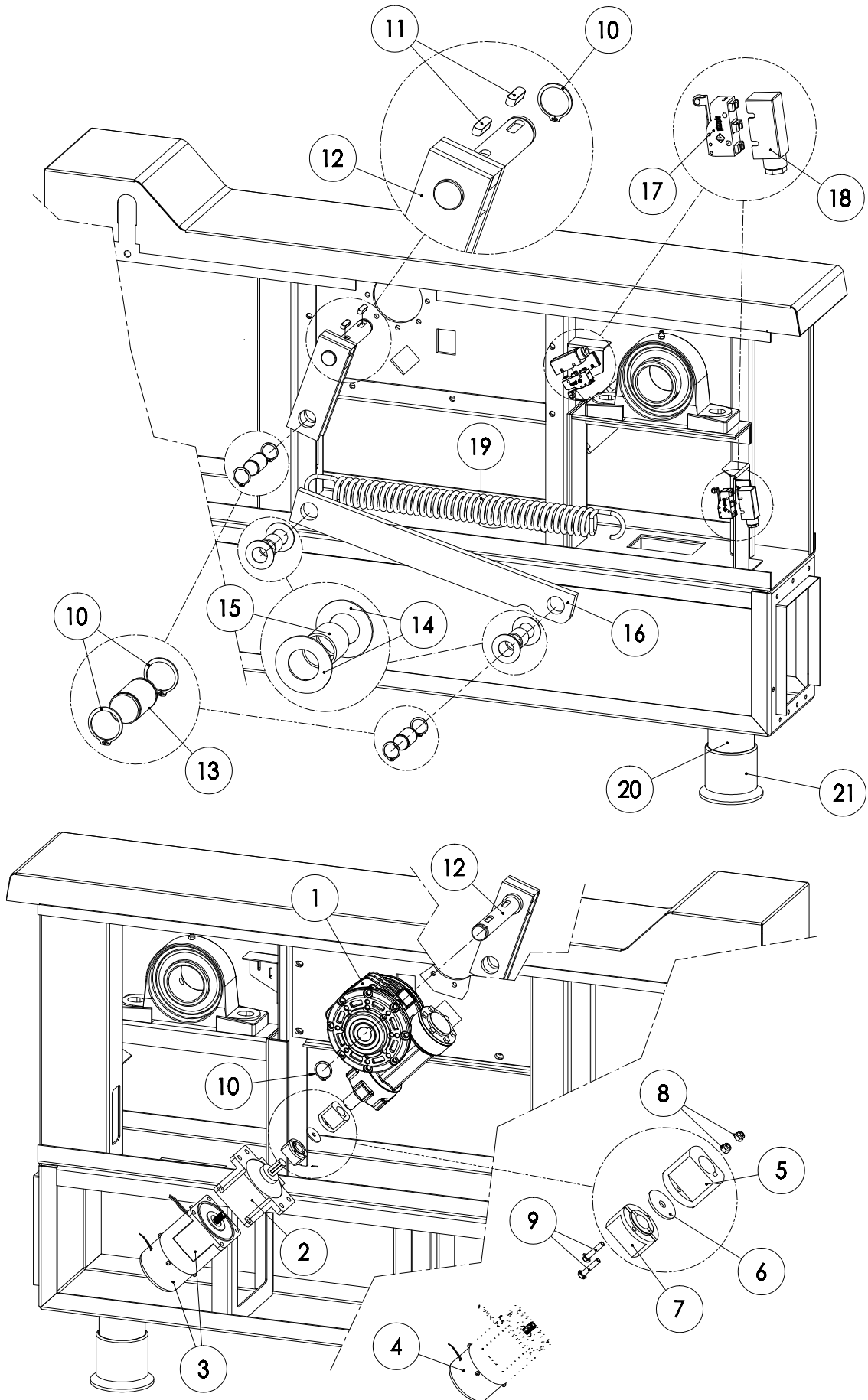
EXPLODED VIEWS

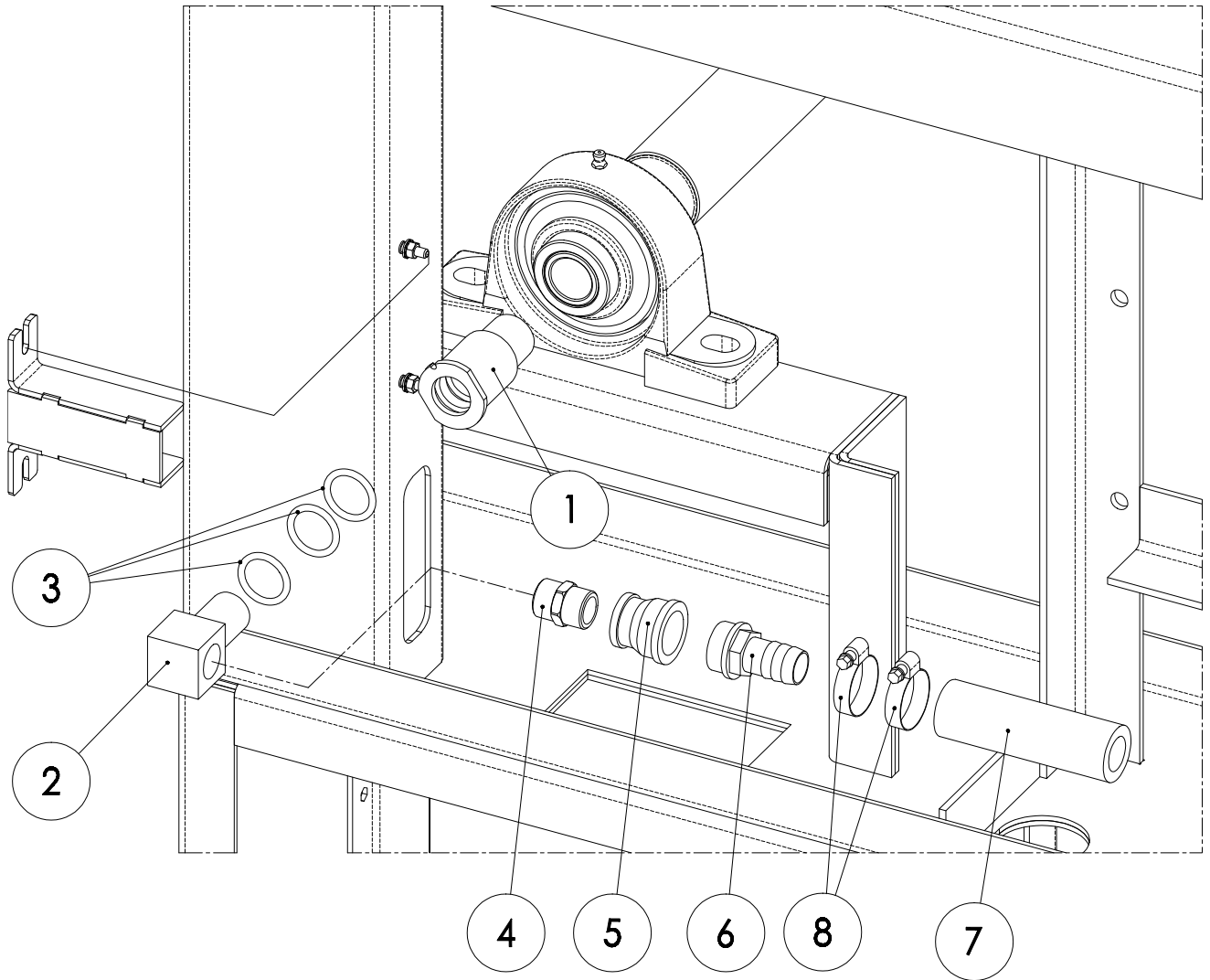
This page intentionally left blank

04-04 EXPLODED PR.G-E-V

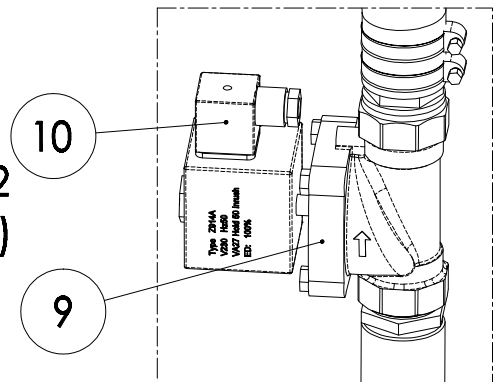


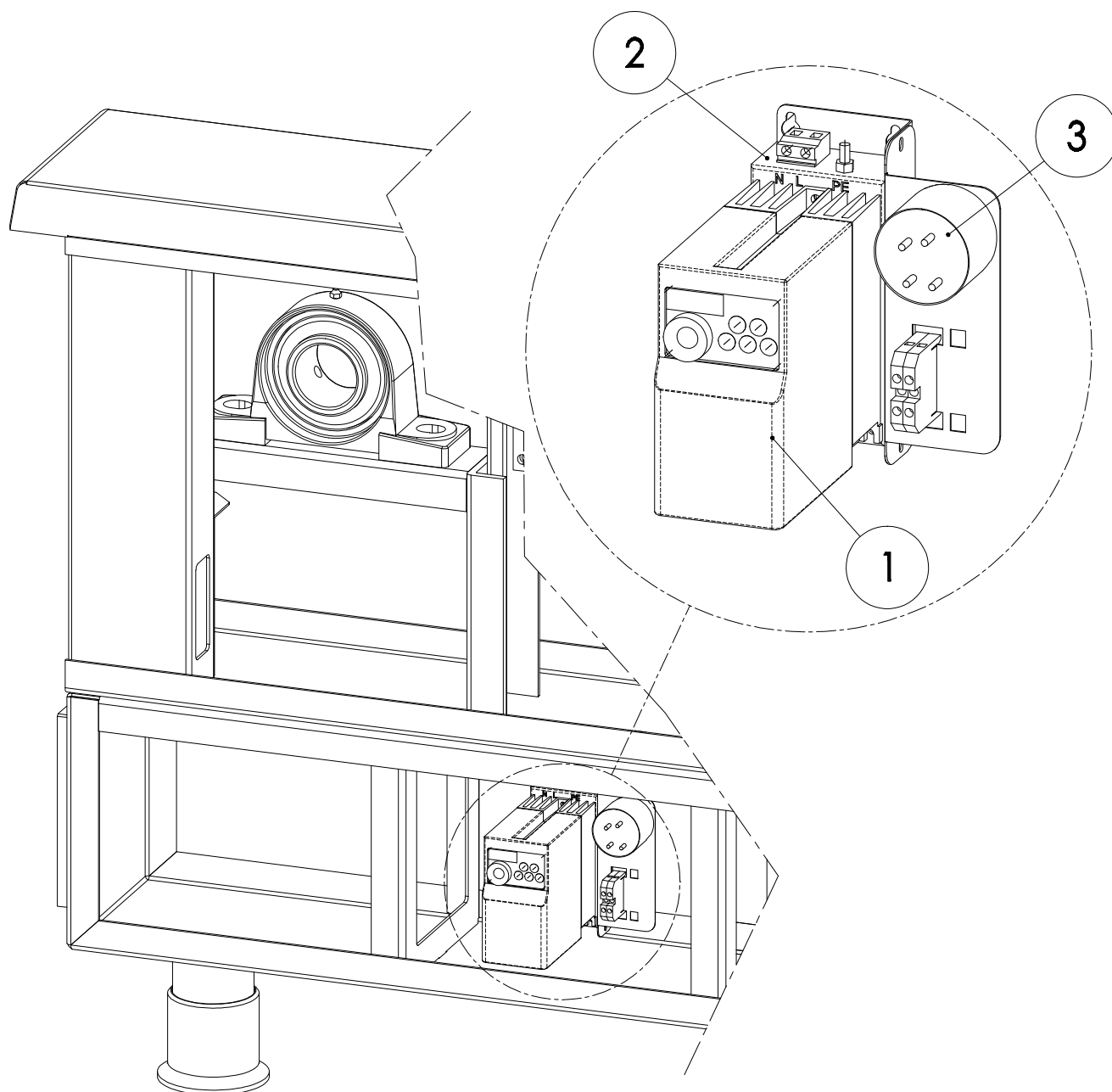
Pos.	Data sheet
A	02-0012 05-0112 05-0200 05-0210 05-0220 05-0230
B	05-0042 05-0052 05-0056
C	05-0010
D	04-0012 04-0070 04-0020 04-0030 03-0010 04-0100
D-E	05-0100 05-0110
F	02-0050
G	02-0082
H	06-0030 06-0040 04-0110
I	03-0020 05-0120 05-0130

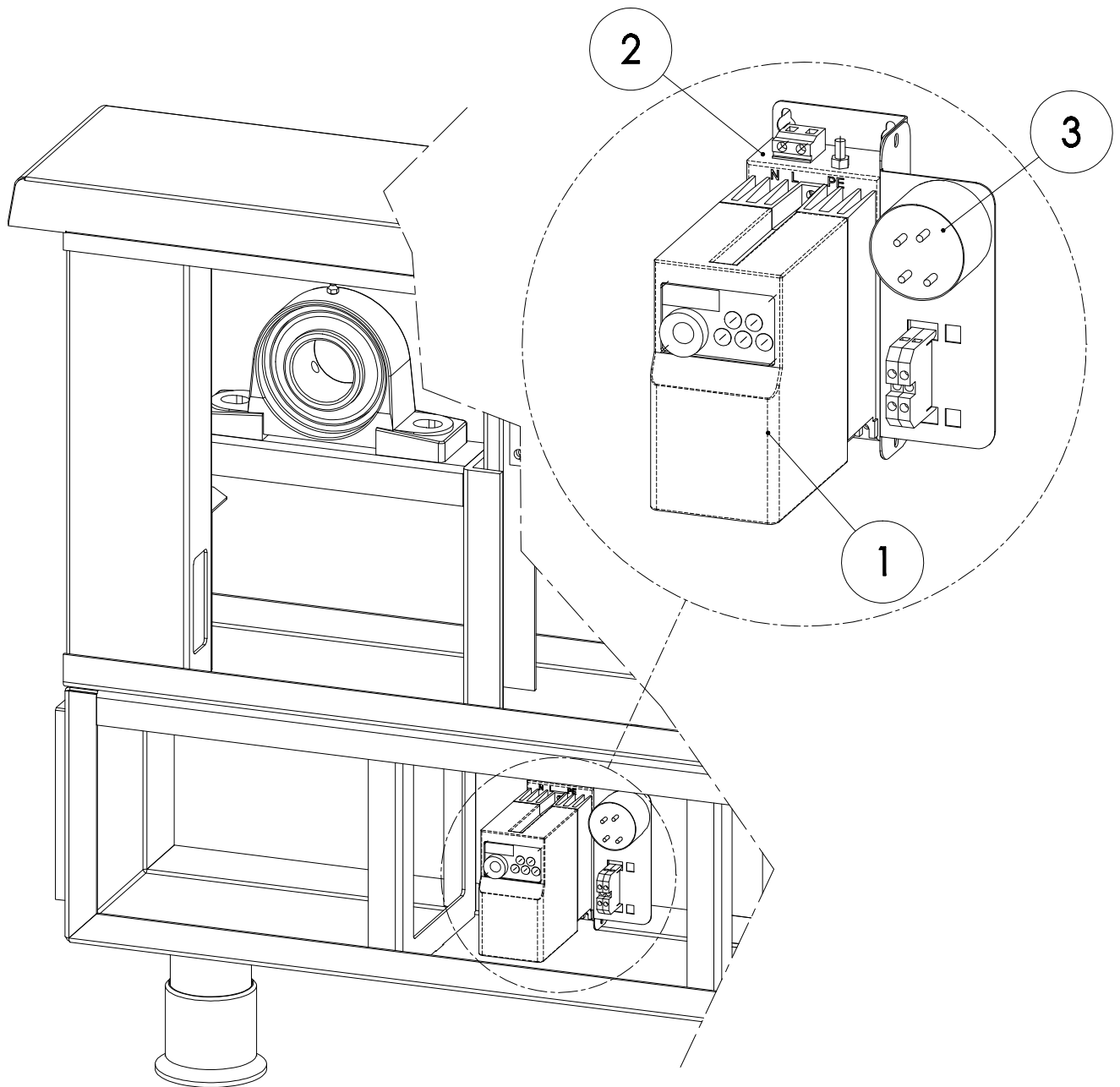


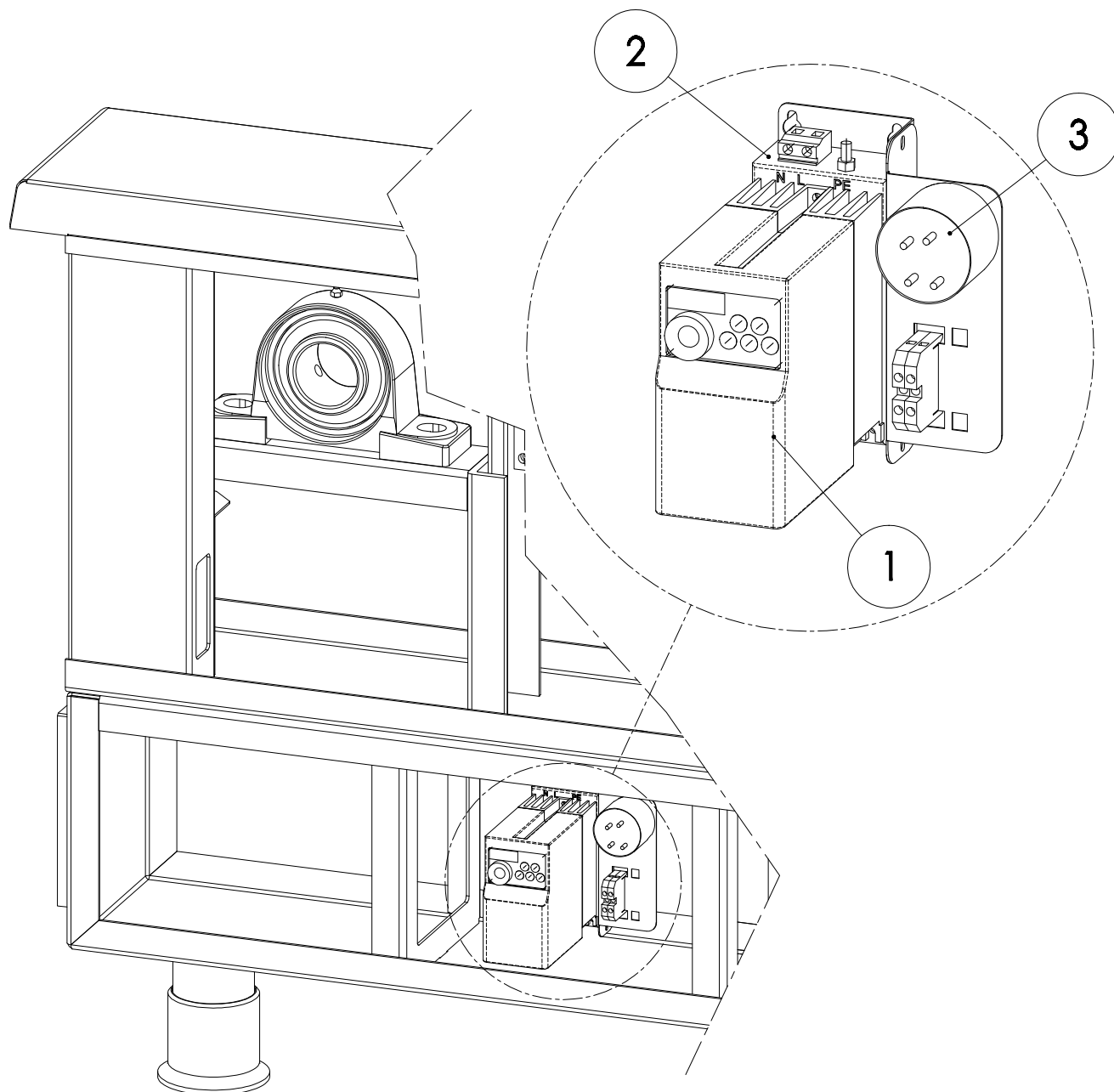


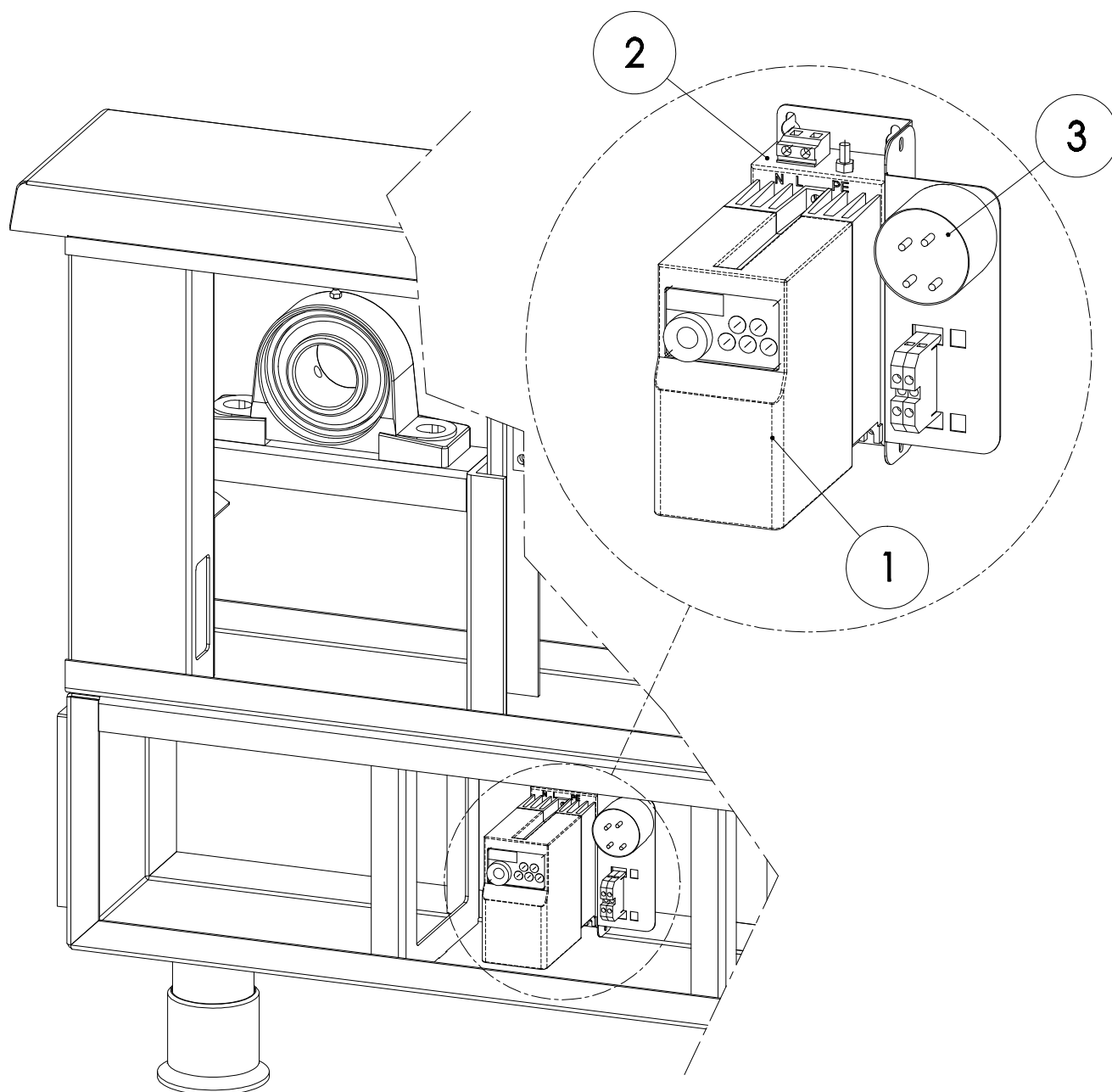
Only with optional SCT2
(double jacket cooling)

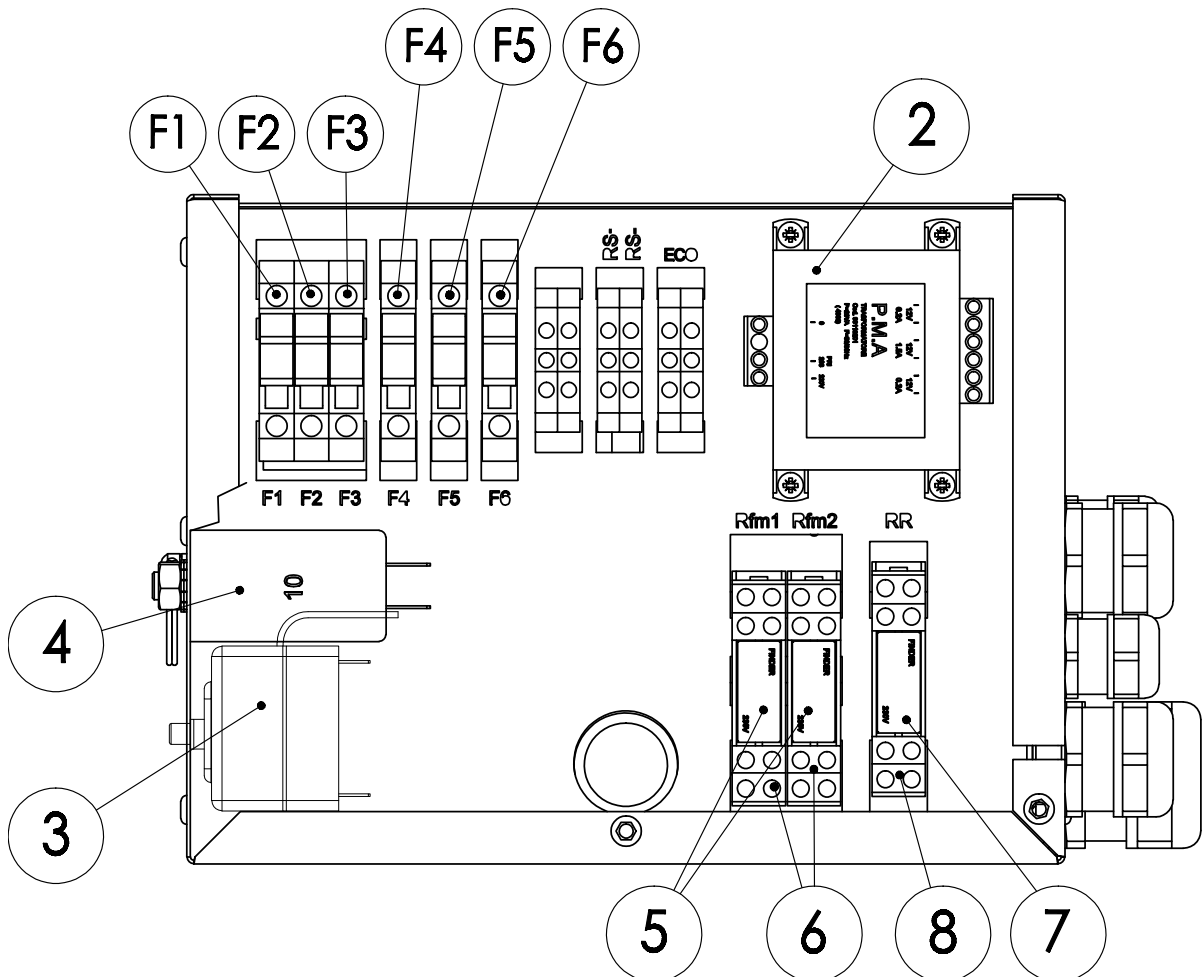
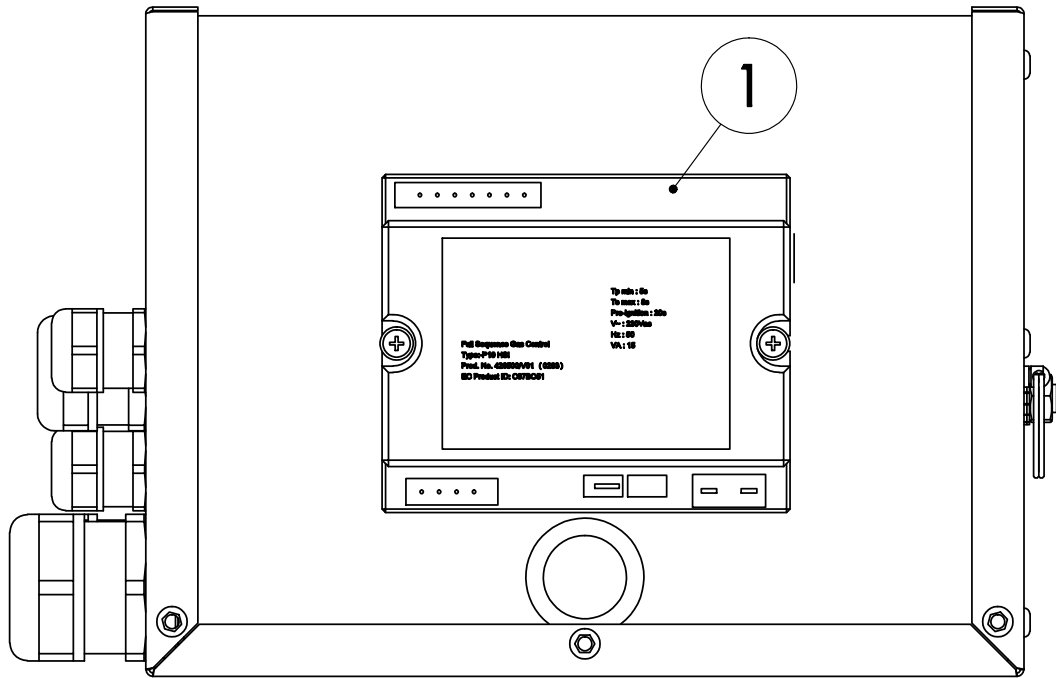


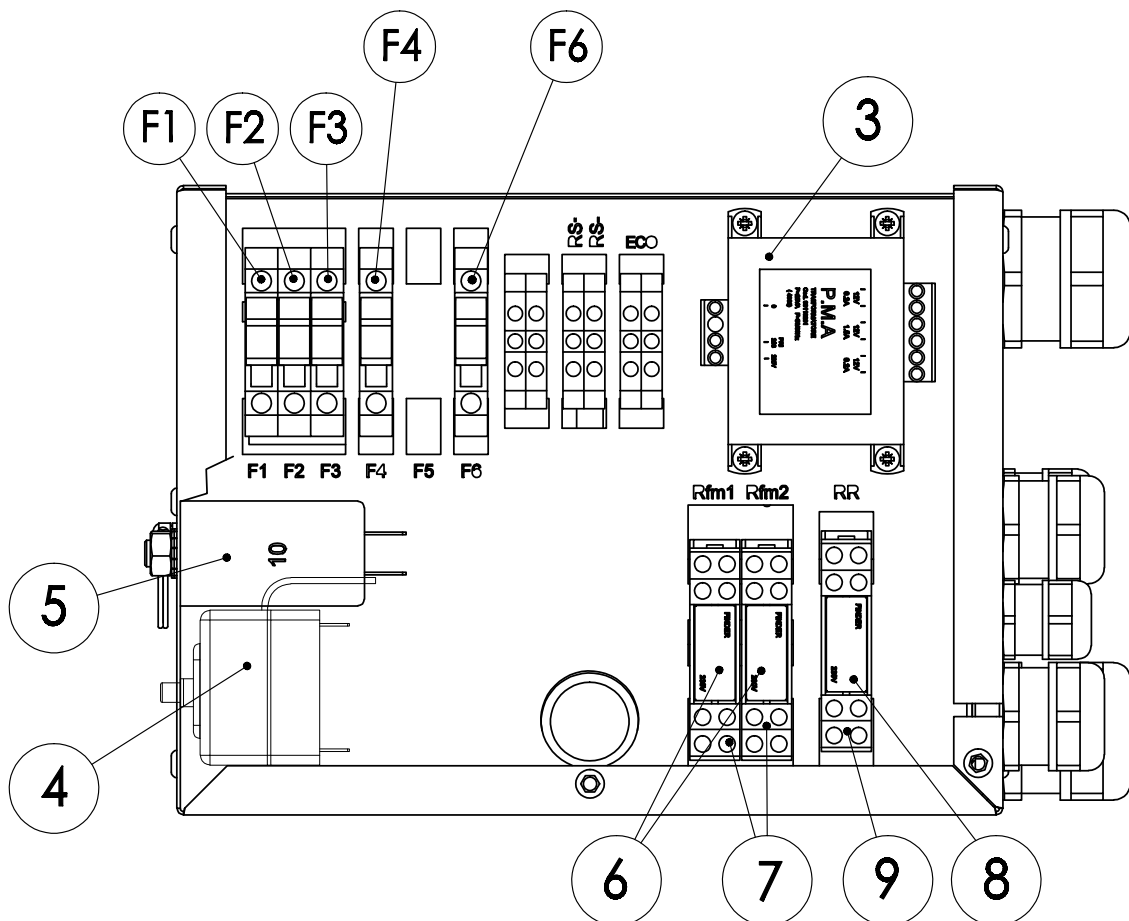
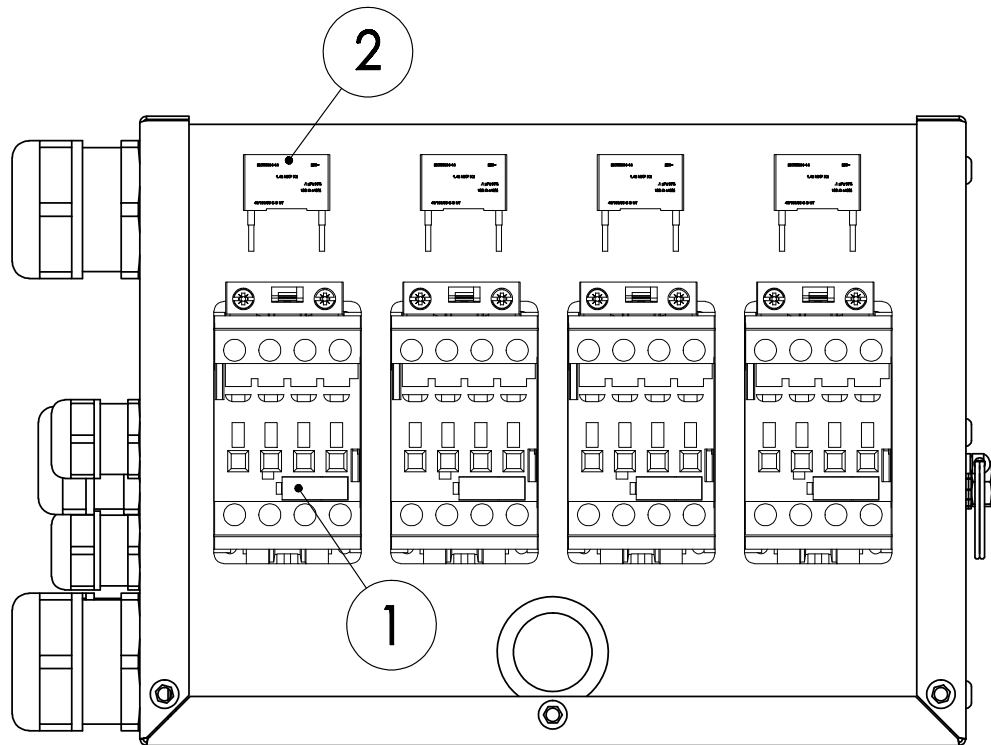


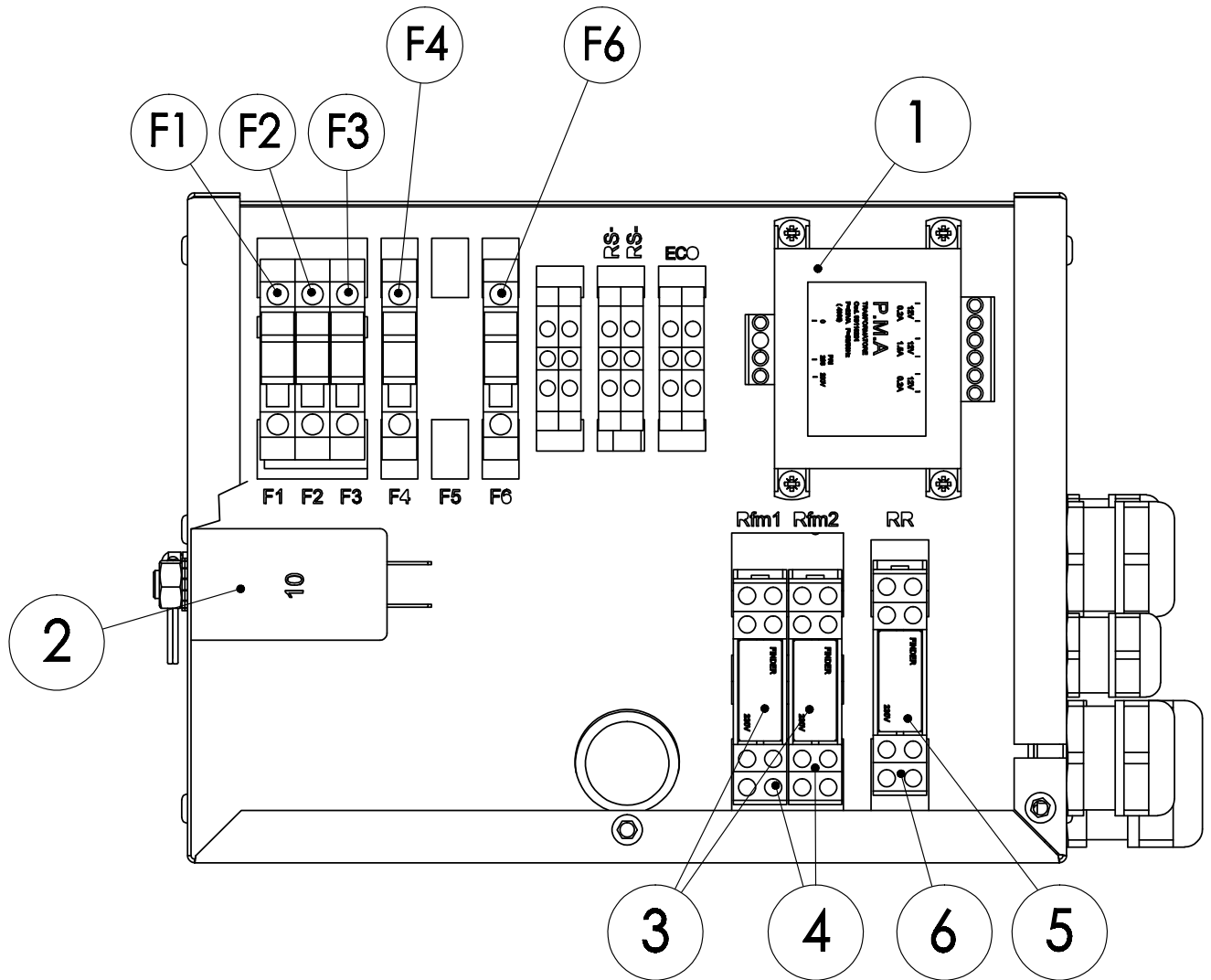


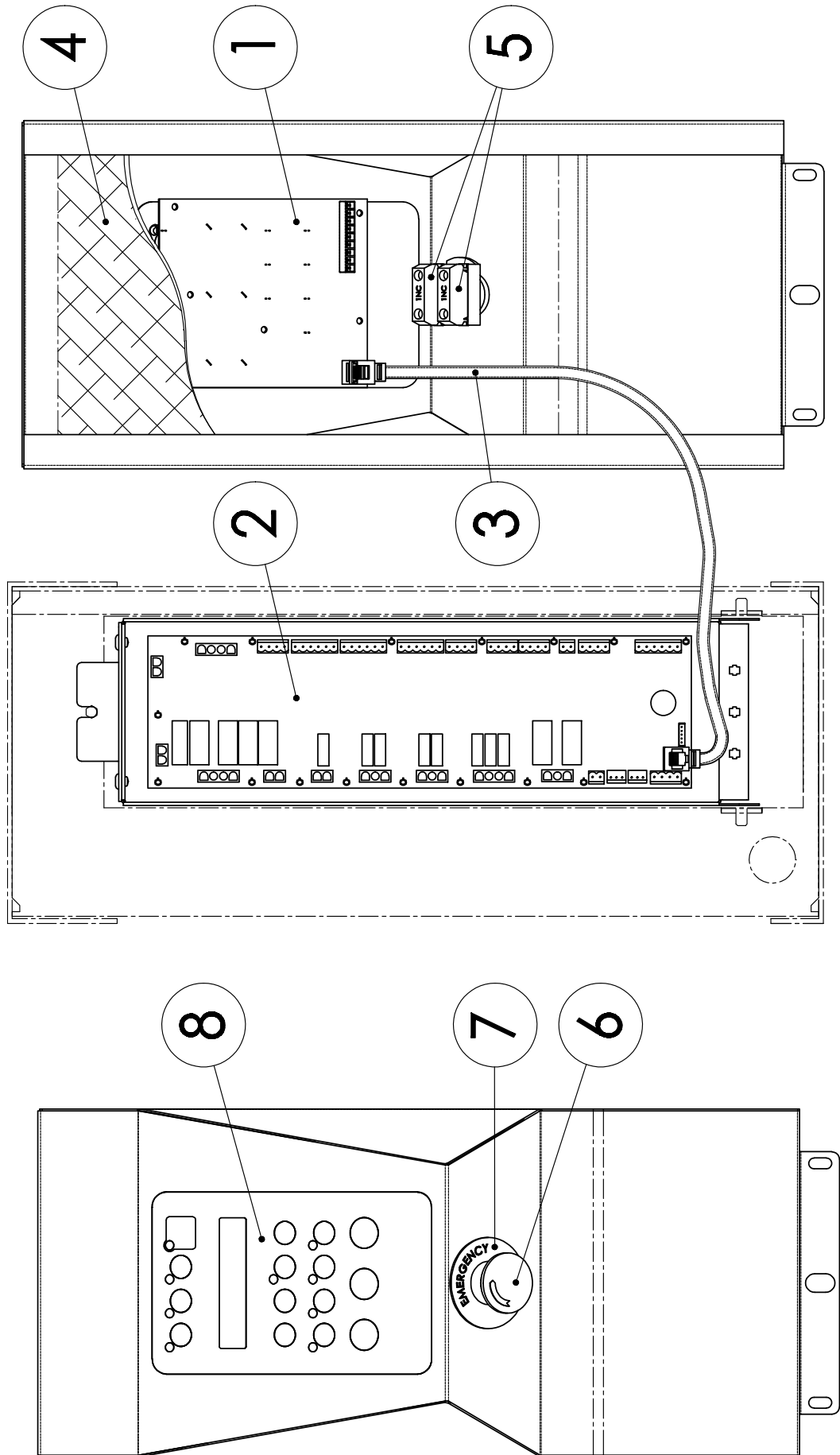


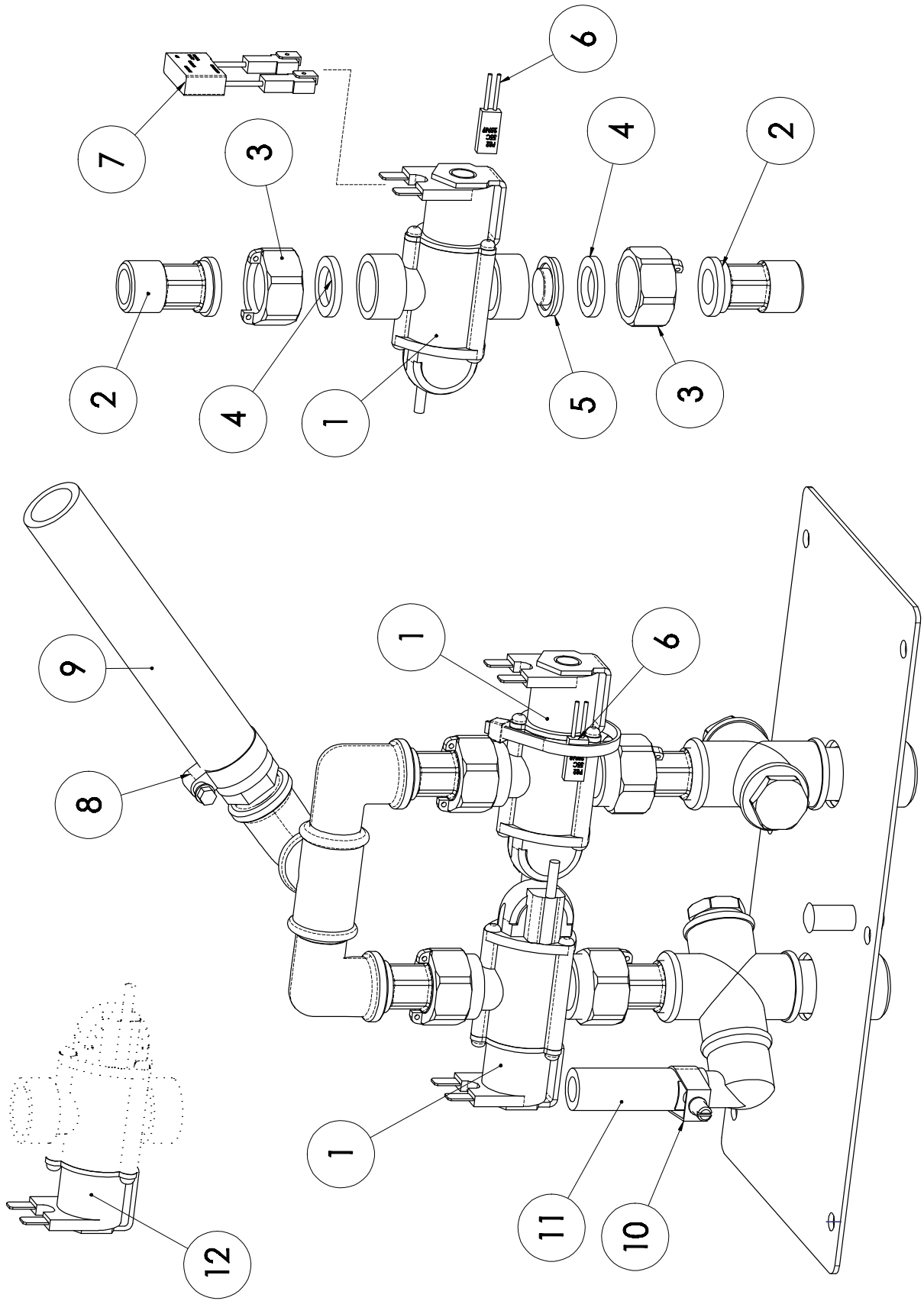






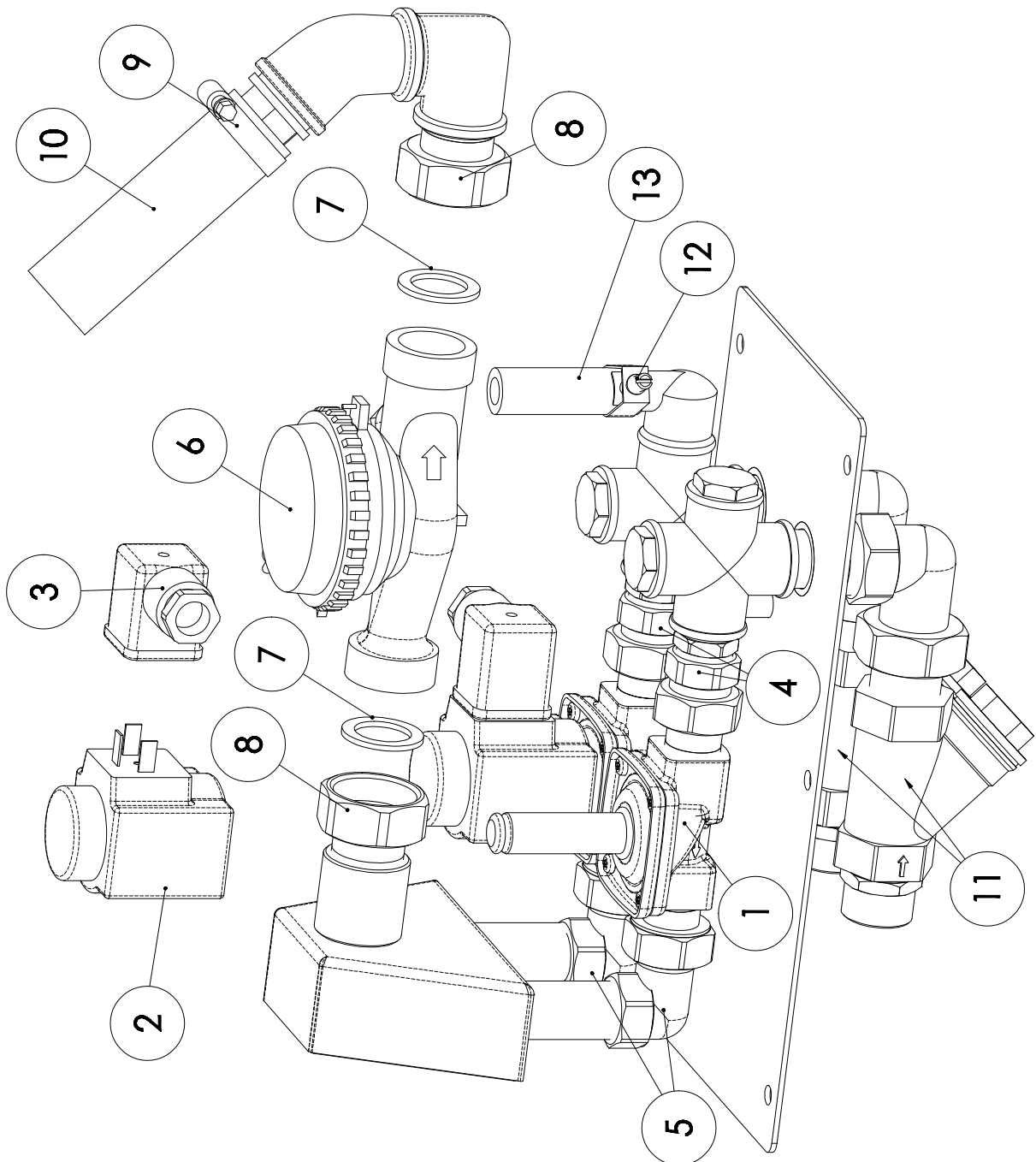


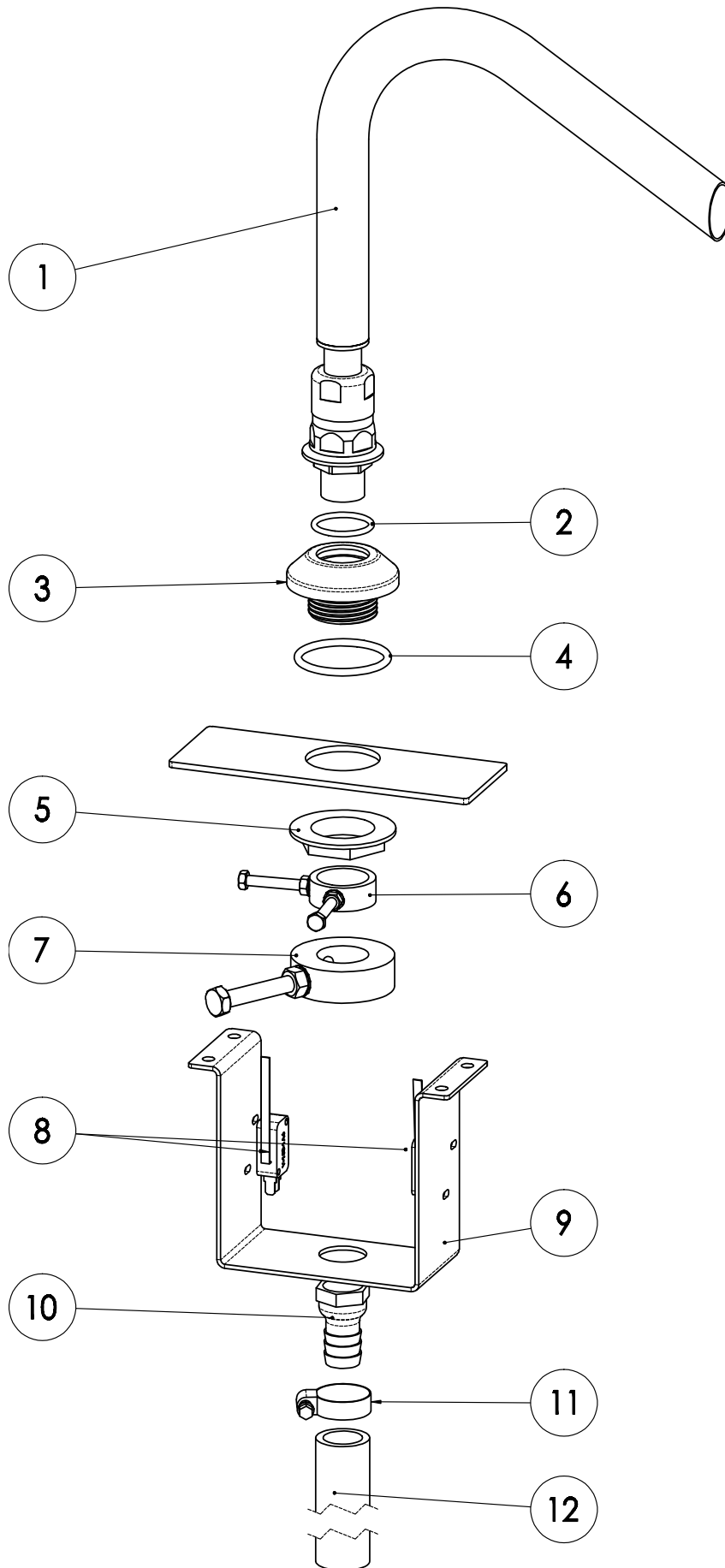


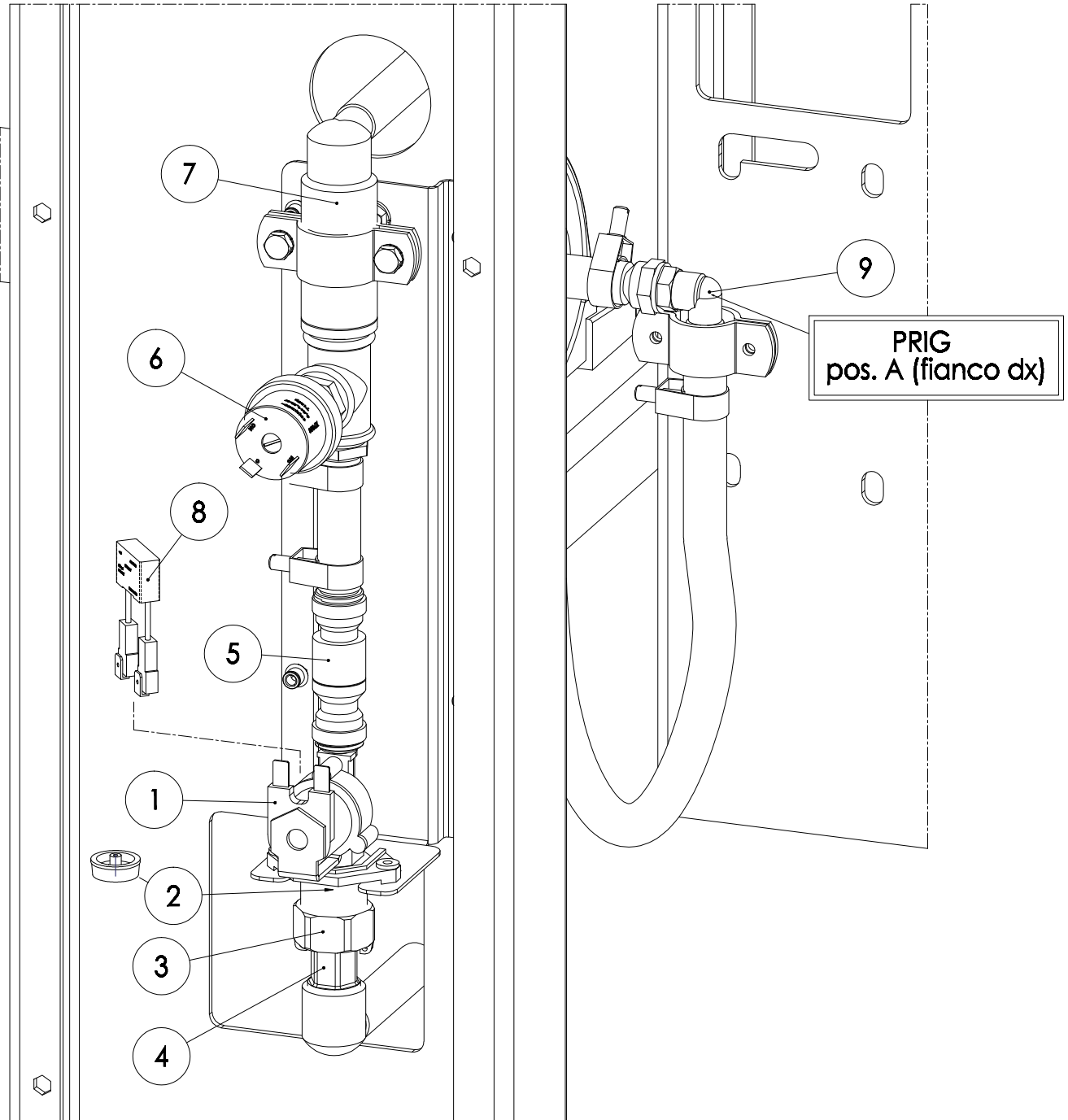


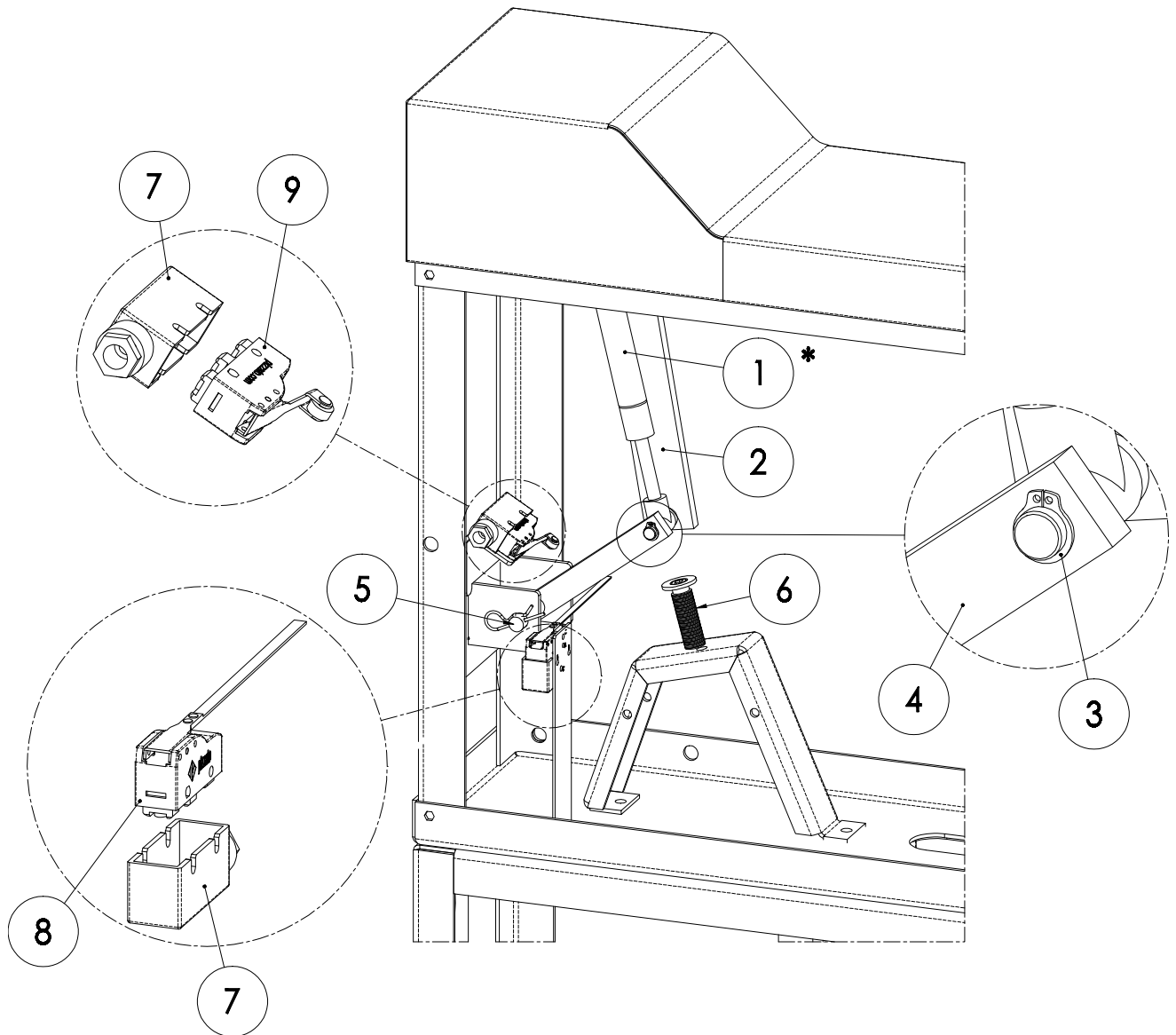
(OPTIONAL)
 Flow meter group for
 high temperature

MATR. > 070250.../2016







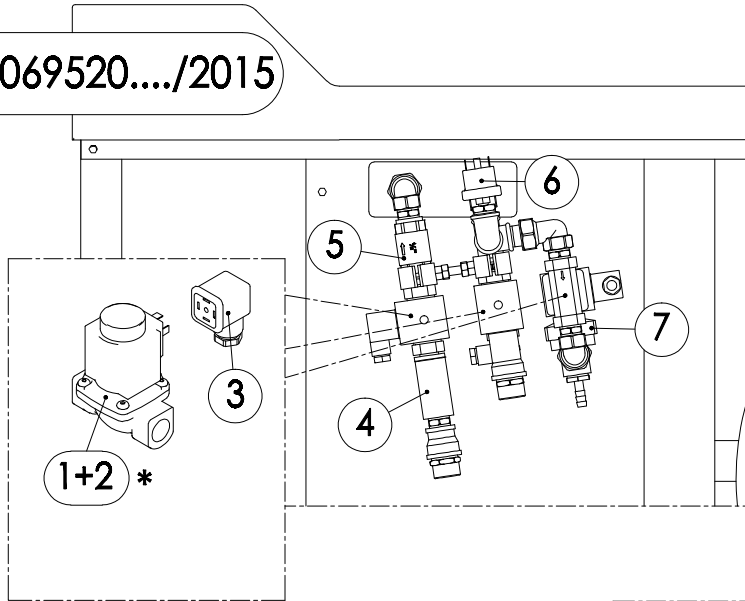


*** ATTENZIONE : POS.1 fornire il nr.di matricola della macchina**

*** ATTENTION : POS.1 provide the serial number of the machine**

MATR. < 069520.../2015

*ALWAYS
ORDER 1+2!



MATR. > 069580.../2016

