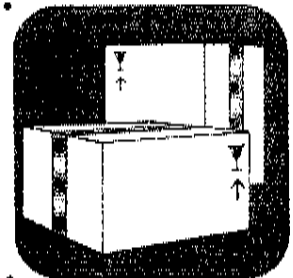




## *Spare parts section*

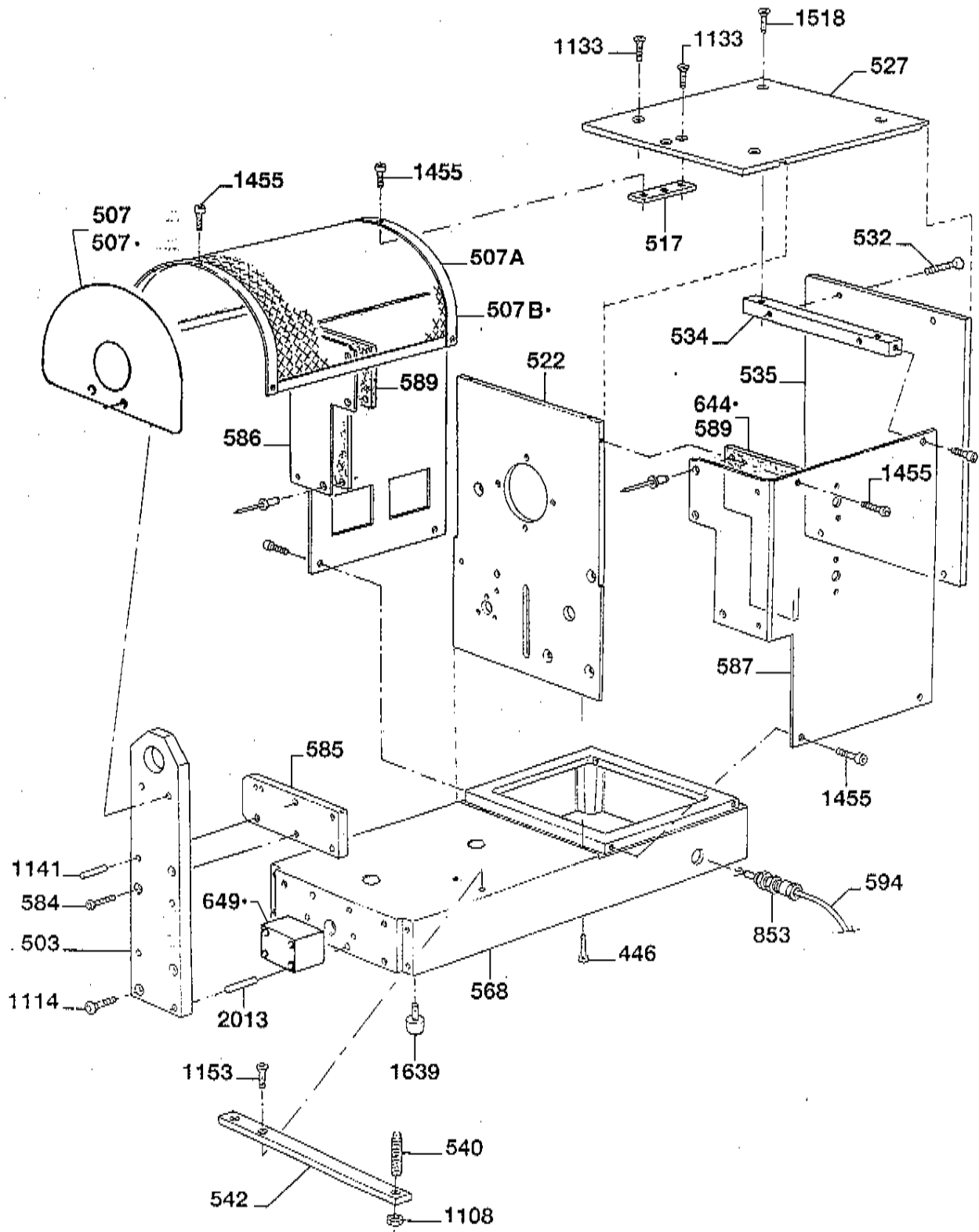


The spare parts described in this section must be fitted by technicians authorised by “La Monferrina”.

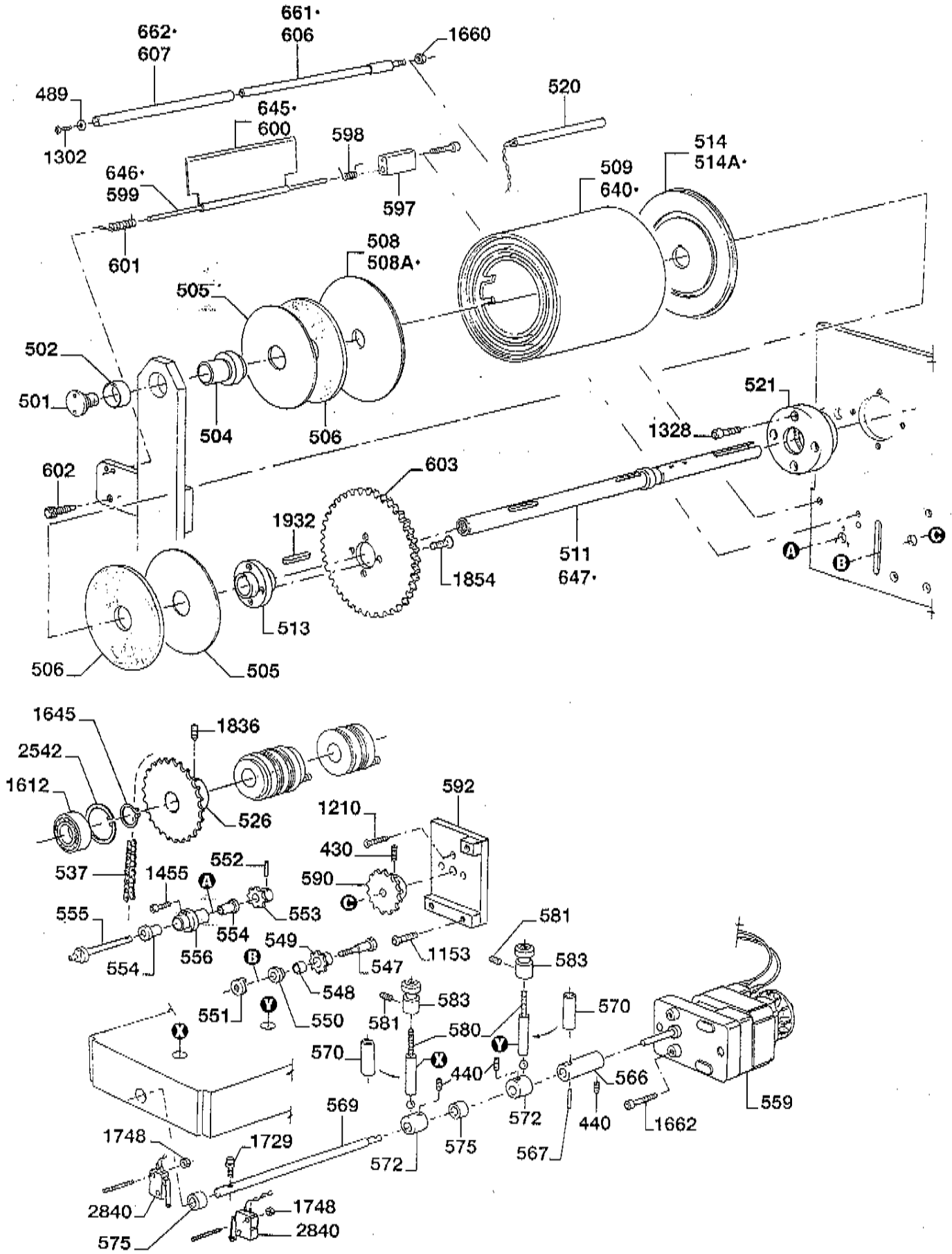
Contact “La Monferrina”

Tel. 0039.0141.273232

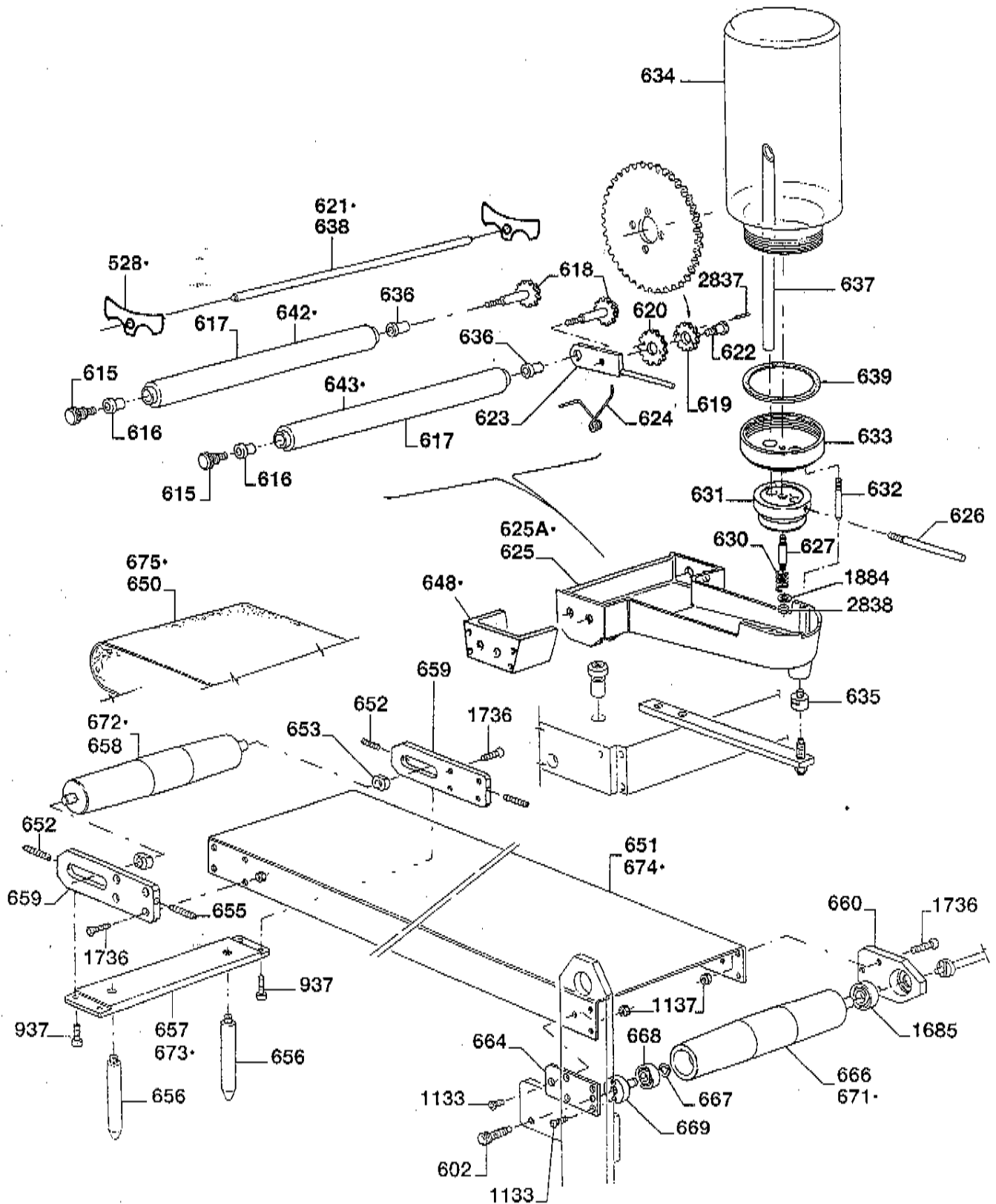
for the names of the authorised maintenance technicians in your area.



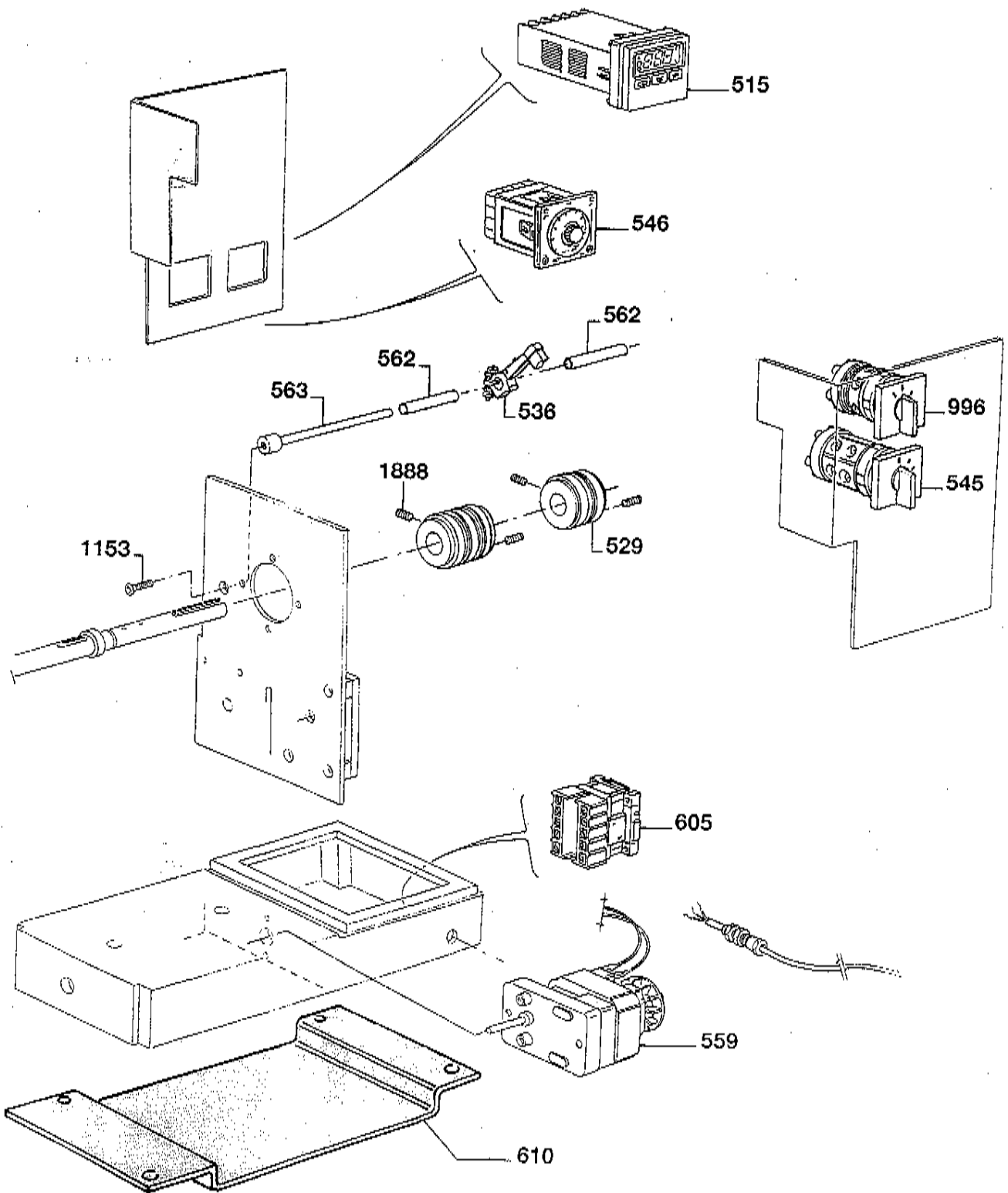






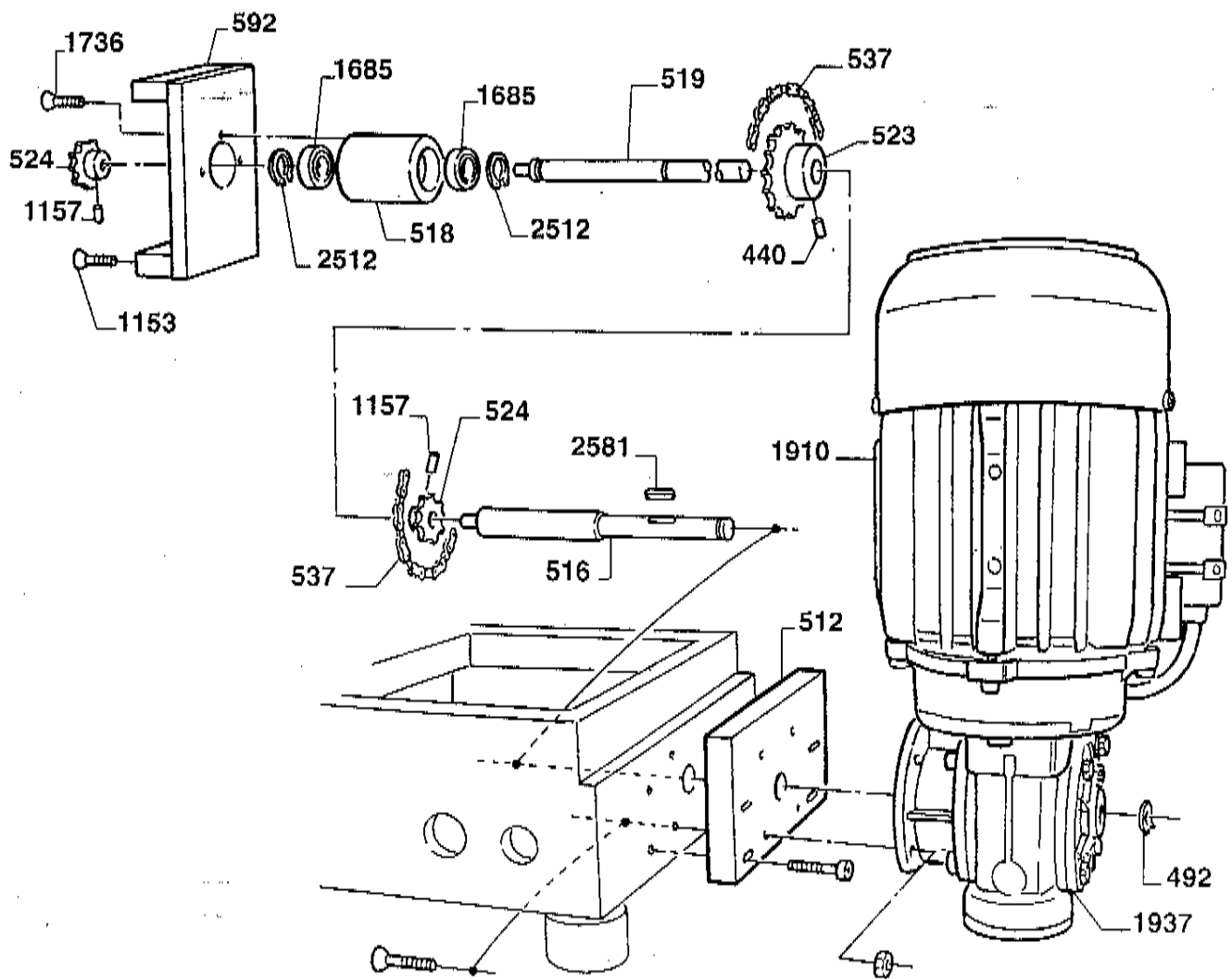






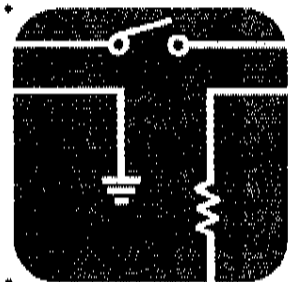






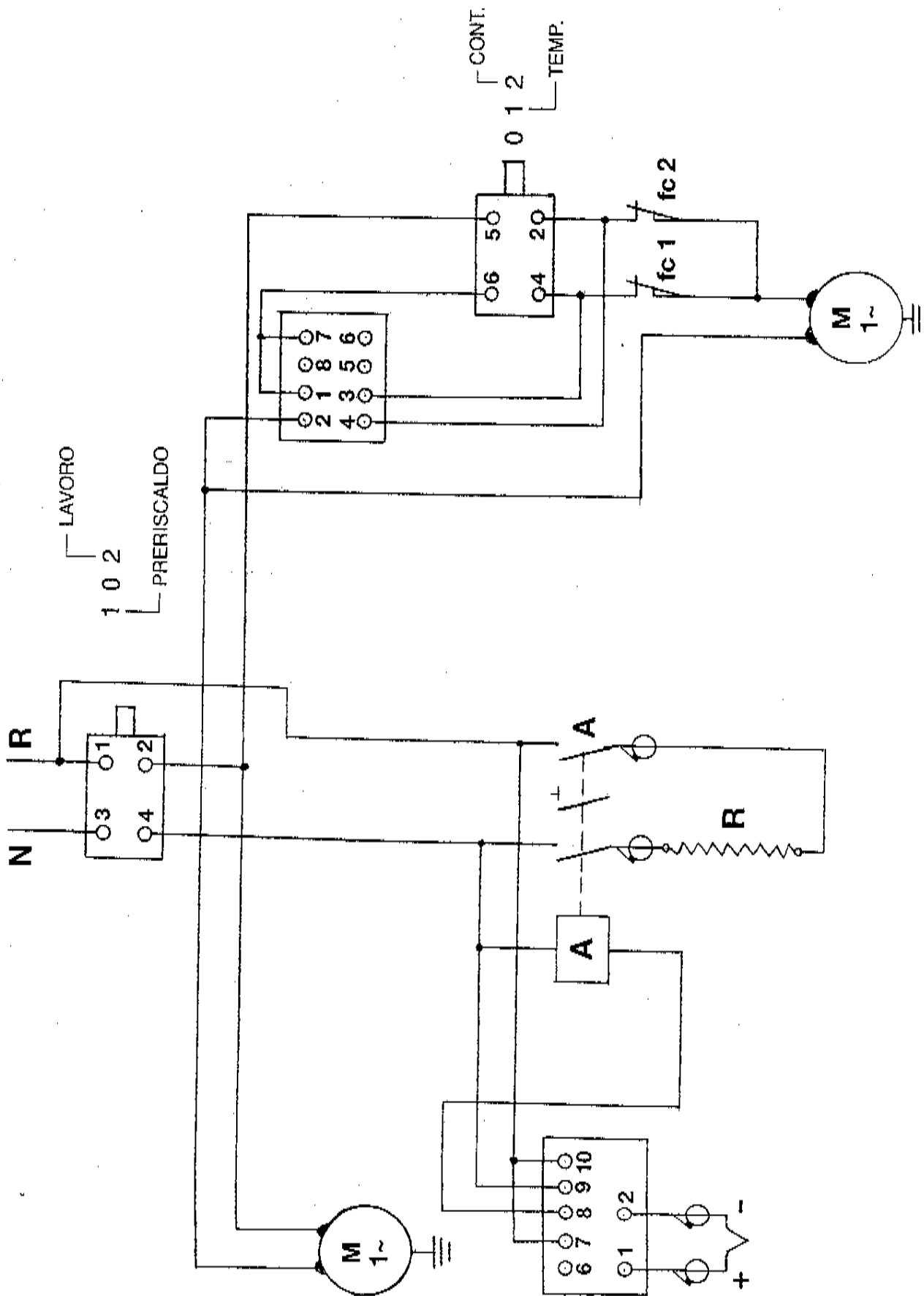


***Electrical  
scheme***



### Electrical scheme 220 V 50 Hz

### C1 Rectangular crêpes



# Electrical scheme 220 V 50 Hz

## C1 Round crêpes

