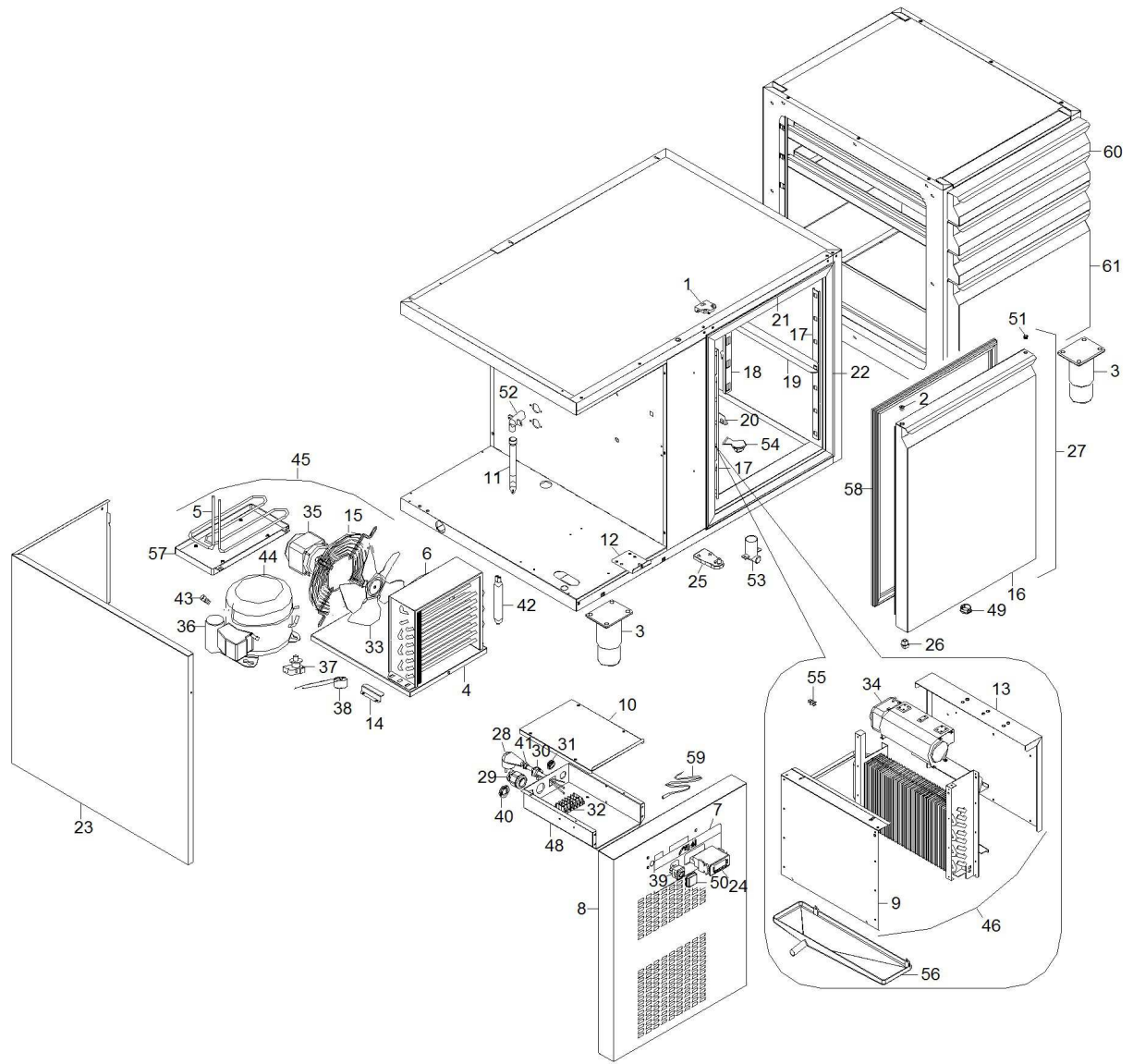
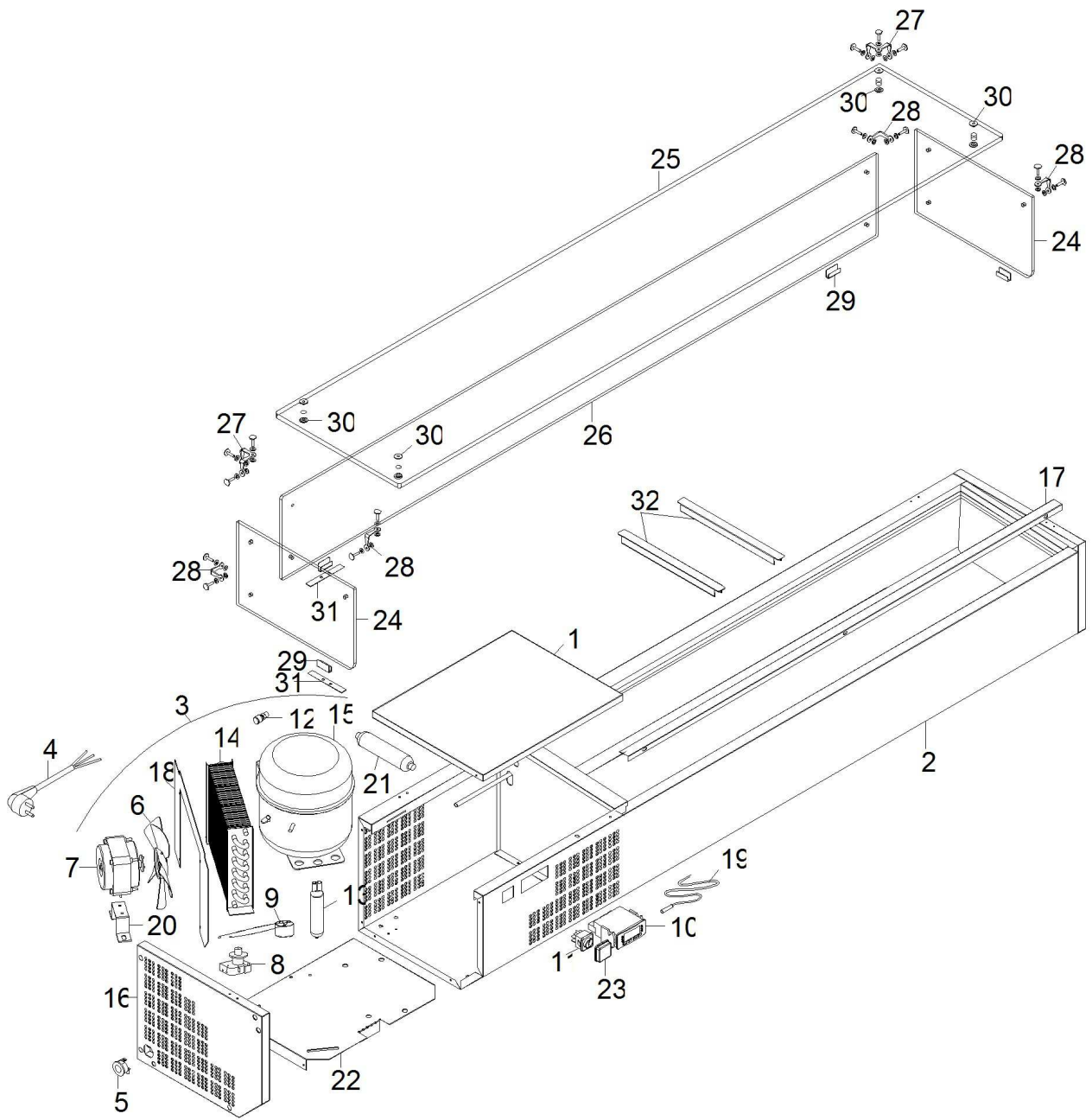




KBPZ163B

Edition 20090413-





Page	Pos	Code	Description	Info
002	001	3043180	TOP BRACKET	15/01/2007-
002	002	3044110	BUSHING	15/01/2007-
002	003	3047130	FOOT	15/01/2007-20/04/2010
002	003	3145280	FOOT	21/04/2010-
002	004	3047140	TRAY	15/01/2007-
002	005	3047170	PIPE COIL	15/01/2007-
002	006	3165760	CONDENSER	07/04/2009-
002	007	3093570	SILK-SCREE.PANEL	05/04/2007-
002	008	3110450	CONTROLBOARD	05/04/2007-
002	009	3047810	HULL	15/01/2007-
002	010	3047920	PANEL-BOARD COVER	15/01/2007-
002	011	3048360	DRAIN TRAP	15/01/2007-
002	012	3048370	BRACKET	15/01/2007-
002	013	3051700	COVER	15/01/2007-
002	014	3056800	TRAY GUIDE	15/01/2007-
002	015	3097570	FAN GUARD	07/04/2009-
002	016	3069170	DOOR	15/01/2007-
002	017	3069910	RACK	15/01/2007-
002	018	3069930	RACK	15/01/2007-
002	019	3069940	GUIDE	15/01/2007-
002	020	3069950	GUIDE	15/01/2007-
002	021	3070330	FRAMETRIM	15/01/2007-
002	022	3070340	FRAMETRIM	15/01/2007-
002	023	3070880	SIDE-BACK	15/01/2007-
002	024	3087950	THERMOR.DGT	15/01/2007-
002	025	3088700	BOTTOM BRACKET	15/01/2007-
002	026	3088710	BUSHING	15/01/2007-
002	027	6023690	DOOR REPLACEMENT UNIT	15/01/2007-
002	028	32A2200	POWER SUPPLY CABLE	15/01/2007-
002	029	32D0220	CABLE CLAMP Ø 16	15/01/2007-
002	030	32D0680	CABLE CLAMP	15/01/2007-
002	031	32D0700	CABLE CLAMP	15/01/2007-
002	032	32D0750	TERMINAL BOARD	15/01/2007-
002	033	32M3280	FAN	15/01/2007-
002	034	32M5920	FAN	15/01/2007-
002	035	32M7020	FANMOTOR	07/04/2009-
002	036	32V1500	CONDENSER	15/01/2007-
002	037	32V3900	RELAY	15/01/2007-
002	038	32V3910	ENGINE CUTOUT	15/01/2007-
002	039	32W3970	BIPOLAR SWITCH	15/01/2007-
002	040	32X0120	GROMMETØ 21	15/01/2007-
002	041	32X0230	GROMMET	15/01/2007-
002	042	33A0180	FILTER	15/01/2007-
002	043	33A1200	AUXIL.VALVE	15/01/2007-
002	044	34D6140	COMPRESSOR	15/01/2007-10/01/2012
002	044	3216230	COMPRESSOR	11/01/2012-
002	045	3165300	MOTOR UNIT	07/04/2009-10/01/2012
002	045	3216350	MOTOR UNIT	11/01/2012-
002	046	34E2920	EVAP. GROUP	15/01/2007-
002	048	35L5500	PANEL BOARD	15/01/2007-
002	049	36C2650	CLAMP-ON	15/01/2007-

Page	Pos	Code	Description	Info
002	050	36C5180	SWITCH PROT.	15/01/2007-
002	051	36D0630	PLUG	15/01/2007-
002	052	36E3990	CONDENS. DRAIN	15/01/2007-
002	053	36E5490	CONDENS. DRAIN	15/01/2007-
002	054	36Q1880	DRAIN PLUG	15/01/2007-
002	055	36Z2060	ENGINE CUTOFF	15/01/2007-
002	056	36Z2370	COND. TRAY	15/01/2007-
002	057	36Z2380	TRAY	15/01/2007-
002	058	37Q4140	GASKET	15/01/2007-
002	059	32V6000	POROB NTC	15/01/2007-
002	060	3069490	DRAWER	15/01/2007-
002	061	3069500	DRAWER	15/01/2007-
003	001	3071250	FRIDGE COVER	15/01/2007-
003	002	3073640	WELL	15/01/2007-
003	003	3130470	MOTOR UNIT	14/11/2007-15/03/2012
003	003	3216360	MOTOR UNIT	16/03/2012-
003	004	32A2200	POWER SUPPLY CABLE	15/01/2007-
003	005	32D0680	CABLE CLAMP	15/01/2007-
003	006	32M6070	FAN	15/01/2007-
003	007	32M4351	FAN MOTOR	15/01/2007-
003	008	32V2880	RELAY	15/01/2007-
003	009	32V2890	ENGINECUTOFF	15/01/2007-
003	010	32V6920	THERMOR.DGT	15/01/2007-
003	011	32W3970	BIPOLAR SWITCH	15/01/2007-
003	012	33A1200	AUXIL.VALVE	15/01/2007-
003	013	33A1550	FILTER	15/01/2007-
003	014	34D7650	CONDENSER	15/01/2007-
003	015	34D7960	COMPRESSOR	15/01/2007-15/03/2012
003	015	3216240	COMPRESSOR	16/03/2012-
003	016	35P1760	HEAD	15/01/2007-
003	017	35P1840	SUPPORT	15/01/2007-
003	018	35R7650	CONVEYOR	15/01/2007-
003	019	32V3730	POROB NTC	15/01/2007-
003	020	35U1970	SUPPORT	15/01/2007-
003	021	35W2910	FLUID TANK	15/01/2007-
003	022	35W4940	TRAY	15/01/2007-
003	023	36C5180	SWITCH PROT.	15/01/2007-
003	024	37W0270	GLASS	15/01/2007-
003	025	37W0280	GLASS	15/01/2007-
003	026	37W0320	GLASS	15/01/2007-
003	027	36C4110	GLASS FIXING	15/01/2007-
003	028	36C4120	GLASS FIXING	15/01/2007-
003	029	36C4130	GLASS FIXING	15/01/2007-
003	030	3120430	WASHER	15/01/2007-
003	031	35R9980	REINF.	15/01/2007-
003	032	36C3880	SUPPORTING BASINS	23/01/2008-