

mod. 250

SILANOS

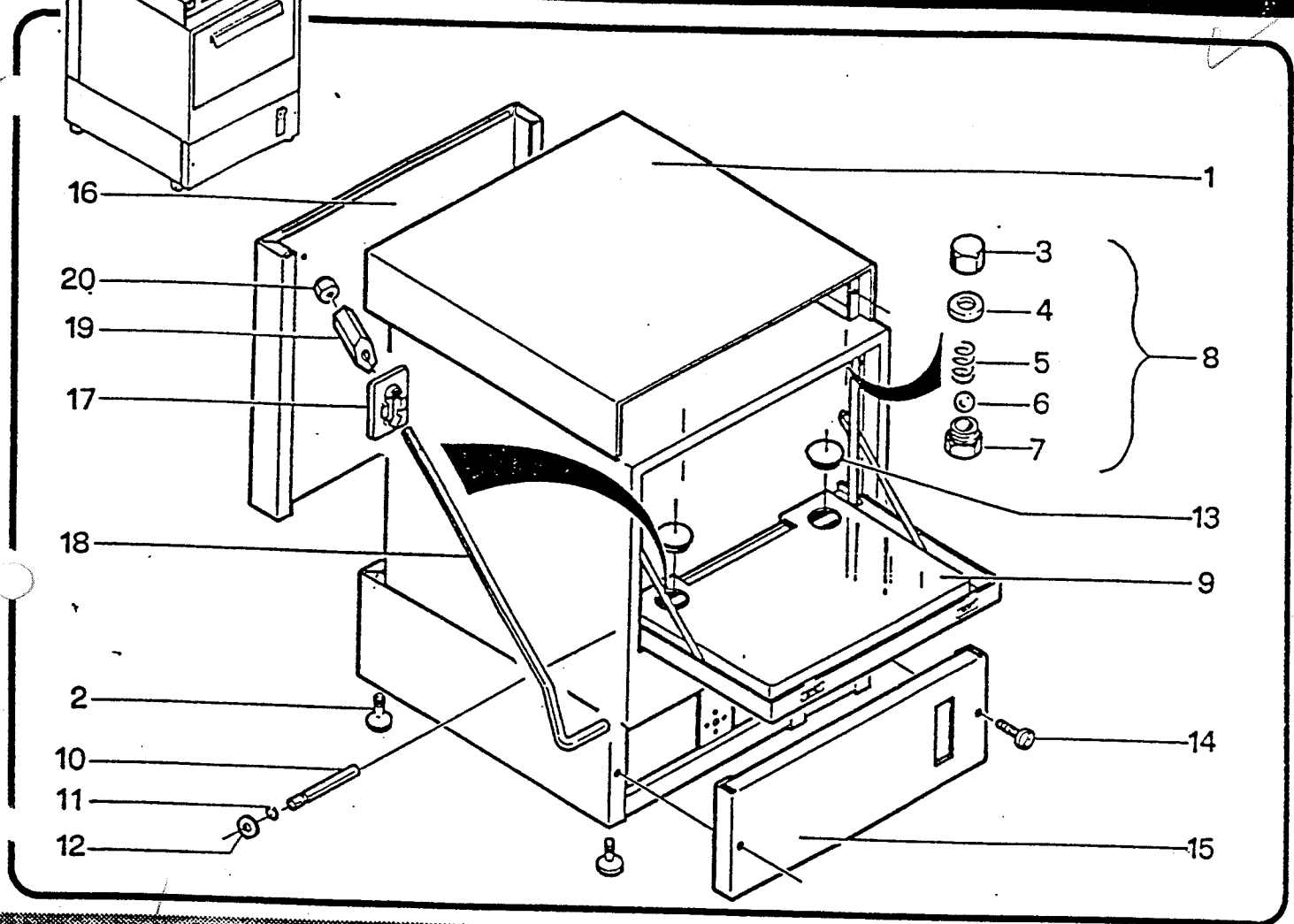
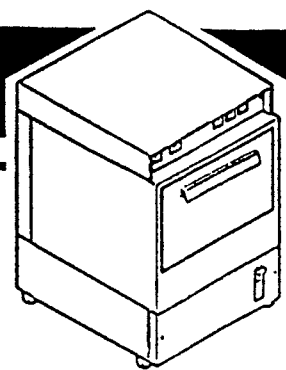


tavola n° 1

POS.	CODICE	DESCRIZIONE	DENOMINATION	DESCRIPTION	BEZEICHNUNG
1	901011	CARROZZERIA	CARROSSERIE	BASE	KAROSSERIE
2	904990	PIEDINO REGOLABILE	PETIT PIED REGABLE	RUBBER LEG	EINSTELLBARERSOCKEL
3	905612	DADO SCROCCHETTO	ECROU DU CLIQUET	NUT LATCH	KLIKENMUTTER
4	904360	O-RING	O-RING	O-RING	O-RING
5	908040	MOLLA	RESSORT	SPRING	FEDER
6	906260	SFERA INOX	SPHERE	BALL	KUGEL
7	906010	SEDE SFERA	SIEGE DE LA SPHERE	SEATING BALL	KUGELSITZ
8	906101	SCROCCHETTO	FERMETURE PORTE	DOOR CATCH	SCHNAPPVERSCHLUSS
9	905090	PORTA	PORTE	DOOR	TÜR
10	904790	PERNO PORTINA	TOURILLON DE LA PORTE	DOOR PIN	TÜRSCHARNIERESTIFT
11	906200	SEGER	SEGER	SEGER	SEGER
12	905950	RONDELLA	RONDELLE	WASHER	UNTERLEGSSCHEIBE
13	906435	TAPPO	BOUCHON	PLUG	VERSCHLUSS
14	907861	VITE M5 x 30	VIS	SCREW	SCHRAUBE
15	904450	PANNELLO INFERIORE	PANNEAU INFERIEUR	LOWER PANEL	UNTERE TAFEL
16	904580	PANNELLO POSTERIORE	PANNEAU POSTERIEUR	BACK PANEL	HINTERWAND
17	904952	PIASTRINA	PLAQUETTE	PLATE	PLÄTTCHEN
18	956001	TIRANTE PORTA	TIRANT DU PORTE	DOOR SCREW STAY	TÜR ZUGSTANGE
19	905430	FERMO PORTA	FERMETURE PORTE	DOOR SUPPORT	TÜRHALTERUNG
20	902040	DADO AUTOBLOCCANTE	ECROU	NUT	MUTTER



mod. 250

SILANOS

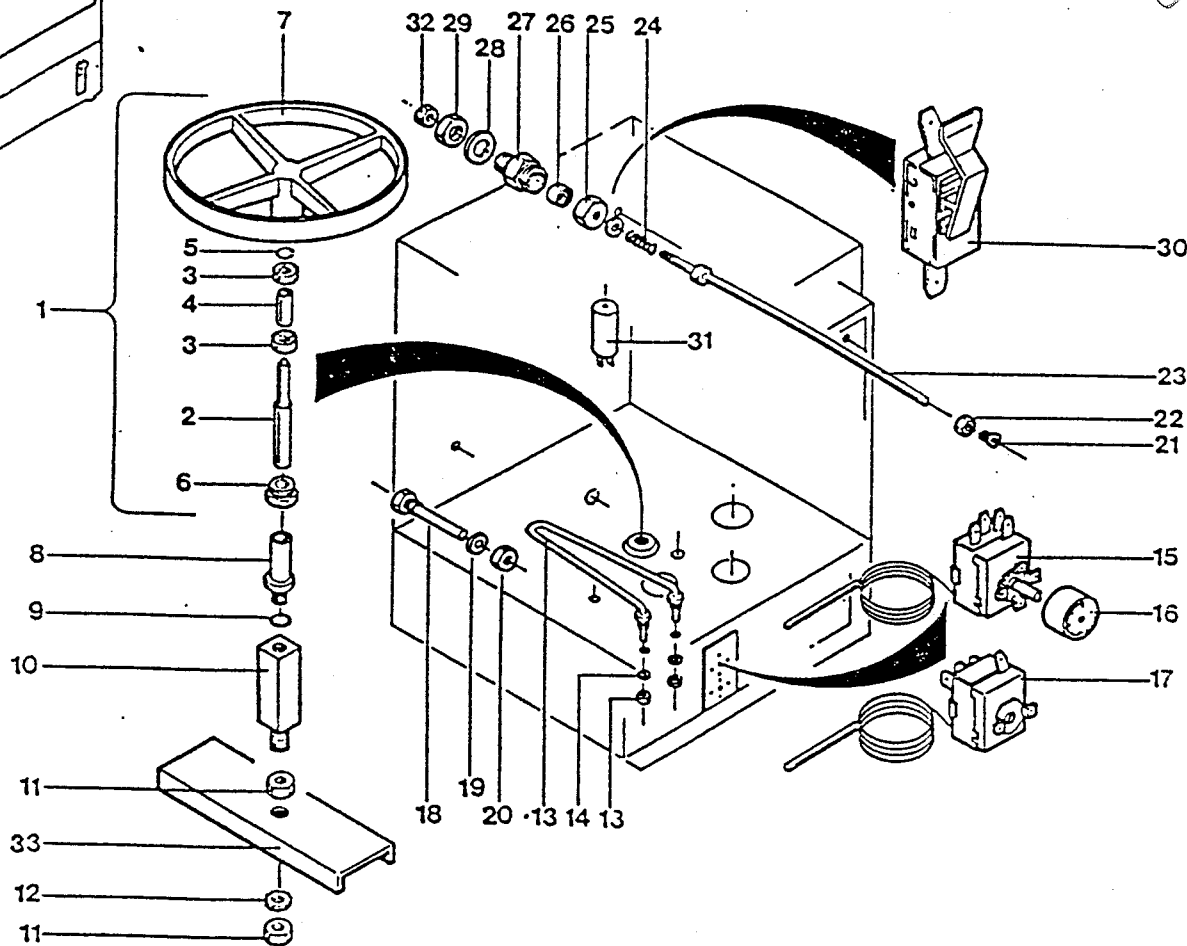


tavola n° 2

POS.	CODICE	DESCRIZIONE	DENOMINATION	DESCRIPTION	BEZEICHNUNG
✓ 1	903149	GIRELLO COMPLETO	PLATEAU TOURNANT	COMPLETE ROTATING BASKET	KOMPLETTE DREHVORRICHTUNG
✓ 2	956026	ALBERO GIRELLO	ARBRE TOURNANT	ROTATING BASKET	DREHVORRICHTUNG
✓ 3	901970	CUSCINETTO A SFERE	ROULEMENT A BILLES	BALL BEARING	XUGELLAGER
✓ 4	902160	DISTANZIALE	ENTRETOISE	SPACING BAR	DISTANZSTÜCK
✓ 5	906160	SEEGER	SEEGER	SEEGER	SEEGER
✓ 6	902860	GHIERA GIRELLO	FRETTE	RING NUT	NUTHUTTER
✓ 7	903150	GIRELLO	PLATEAU TOURNANT	ROTATING BASKET	DREHVORRICHTUNG
✓ 8	906350	SUPPORTO GIRELLO	SUPPORT DE PLATEAU	BEARING FOR ROTAT. BASKET	DREHVORRICHTUNGSWELLE
✓ 9	904330	O-RING	O-RING	O-RING	O-RING
✓ 10	907211	TIRANTE BASAMENTO	TIRANT	SCREW STAY	ZUGSTANGE
11	901981	DADO	ECROU	NUT	MUTTER
12	905900	ROSETTA ELASTICA	ROHOELLE ELASTIQUE	RUBBER WASHER	FEDERSCHEIBE
✓ 13	905720	RESISTENZA	RESISTANCE	HEATING ELEMENT	HEIZ KÖRPER
✓ 14	904391	O-RING	O-RING	O-RING	O-RING
✓ 15	907100	TERMOSTATO 0°-90°	THERMOSTAT	THERMOSTAT	THERMOSTAT
✓ 16	903982	MANOPOLA	BOUTON	KNOB	KNOPF
✓ 17	907120	TERMOSTATO VASCA	THERMOSTAT DU PANIER	TANK THERMOSTAT	WANNENTHERMOSTAT
✓ 18	905190	PORTA BULBO	SIEGE DE BULBE	SEATING BULB	XUGELSTITZ
✓ 19	903250	GUARNIZIONE 1/2" GAS	JOINT	GASKET	DICHTUNG
✓ 20	902110	GHIERA 1/2" GAS	VIROLE	LOCK NUT	NUTHUTTER
✓ 21	956045	BUSSOLA	OUILLE	BUSH	BÜCHSE
✓ 22	956046	DADO	ECROU	NUT	MUTTER
✓ 23	951726	ASTA MICRO	TIGE MICROINTERRUPTEUR	MICROSWITCH-ROD	MIKROSCHALTERSTAB
✓ 24	904079	HOLLA	RESSORT	SPRING	FEDER
✓ 25	906093	GHIERA 3/8"	VIROLE	LOCK NUT	NUTHUTTER
✓ 26	900075	GUARNIZIONE	JOINT	GASKET	DICHTUNG
✓ 27	956092	RACCORDO MICRO	RACCORD MICROINTERRUPTEUR	MICROSWITCH PIPE FITTING	MIKROSCHALTERANSCHLUSS
✓ 28	903351	GUARNIZIONE	JOINT	GASKET	DICHTUNG
✓ 29	956112	GHIERA 1/4" GAS	VIROLE	LOCK NUT	NUTHUTTER
✓ 30	904032	MICROINTERRUTTORE	MICROINTERRUPTEUR	MICRO SWITCH	MIKROSCHALTER
✓ 31	901730	CONDENSATORE 10µF	CONDENSATEUR	CONDENSER	KONDENSATOR
✓ 32	902030	DADO AUTOBLOCCANTE	ECROU	NUT	MUTTER
33	953491	TRAVERSA	ENTRETOISE	CROSS PIECE	TRAVERSE

mod. 250

SILANOS

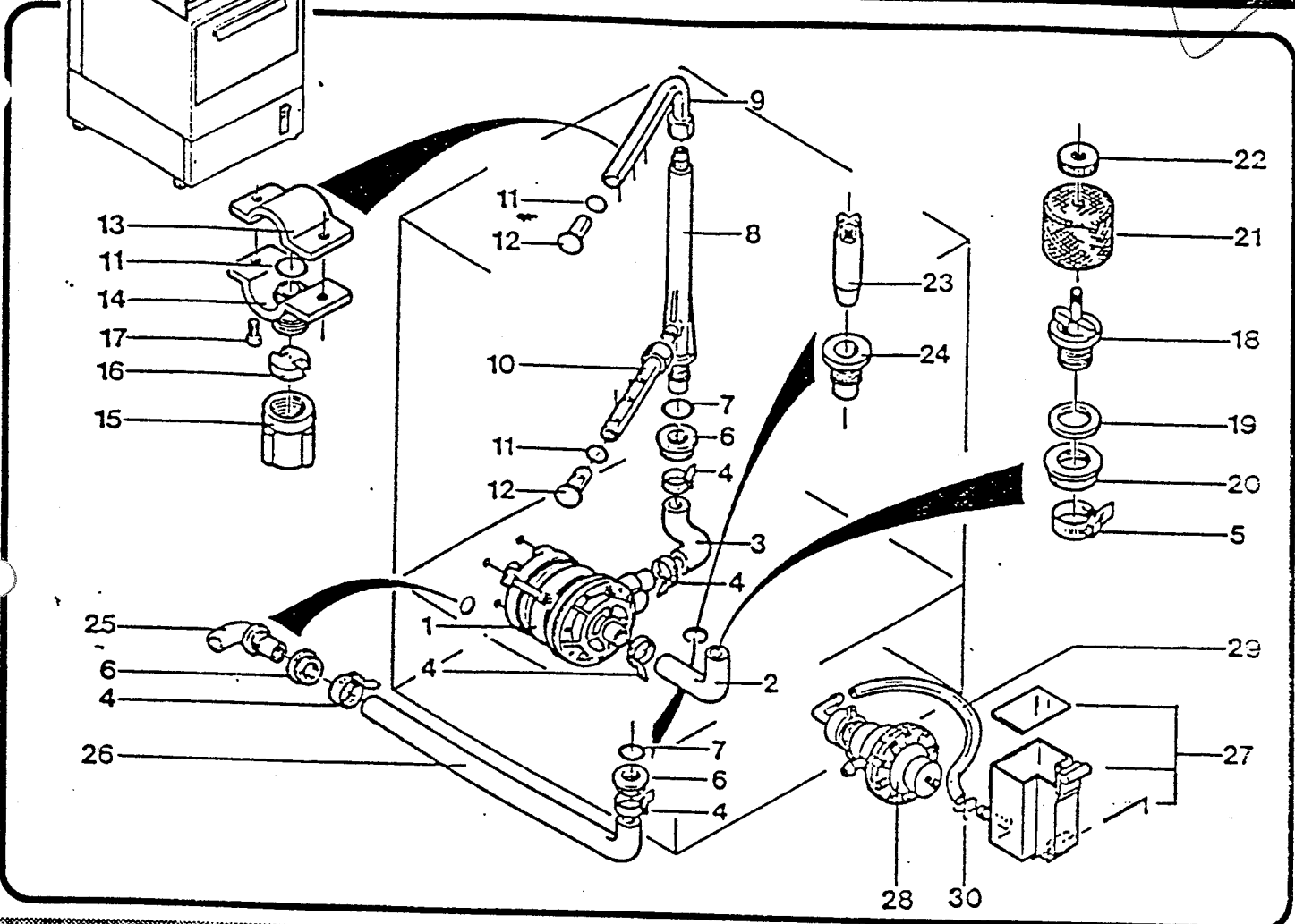
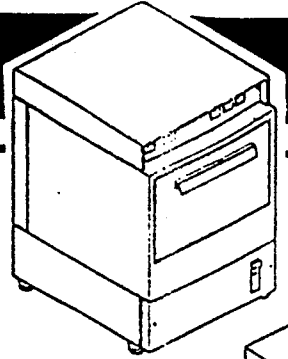


tavola n° 3

POS.	CODICE	DESCRIZIONE	DENOMINAZIONE	DESCRIPTION	BEZEICHNUNG
✓ 1	902240	POMPA	POMPE	PUMP	PUMPE
✓ 2	903660	MANICOTTO ASPIRAZIONE	MANCHON D'ASPIRATION	INLET ELBOW	ANSAUGMUFFE
✓ 3	903720	MANICOTTO MANDATA	MANCHON DE REFAULEMENT	ONLET ELBOW	AUSLASSMUFFE
4	902461	FASCETTA Ø 30+40	COLLIER	CLAMP	SCHELLE
5	902471	FASCETTA Ø 35+50	COLLIER	CLAMP	SCHELLE
✓ 6	902070	GHIERA 1" GAS	FRETTE	RING-NUT	NUTHUTTER
✓ 7	904350	O-RING	O-RING	O-RING	O-RING
✓ 8	901713	COLONNA LAVAGGIO	COLONNE DE LAVAGE	WASHING PIPE	SPÜLUNG SAÜLE
✓ 9	900124	BRACCIO LAVAGGIO SUP.	BRAS LAVAGE SUPERIEUR	UPPER WASHING ARM	OBERER SPÜLARM
✓ 10	900116	BRACCIO LAVAGGIO INF.	BRAS LAVAGE INFERIEUR	LAYER WASHING ARM	UNTERER SPÜLARM
✓ 11	904320	O-RING	O-RING	O-RING	O-RING
✓ 12	906440	TAPPO	BOUCHON	PLUG	VERSCHLUSS
✓ 13	957014	COLLARE PER GETTO	COLLIER POUR JET	COLLAR FOR JET	KRAGEN DÜSE
✓ 14	905394	RACCORDO PER GETTO	RACCORD POUR JET	PIPE FITTING JET	ANSCHLUSS DÜSE
✓ 15	908070	GETTO LAVAGGIO	JET DE LAVAGE	WASHING JET	WASCHDÜSE
✓ 16	908060	DIFFUSORE LAVAGGIO	DIFFUSEUR DE LAVAGE	WASHING SPREADER	WASCHDIFFUSOR
✓ 17	907720	VITE M4 x 10	VIS	SCREW	SCHRAUBE
✓ 18	905380	RACCORDO ASPIRAZIONE	RACCORD ASPIRATION	INTAKE PIPE FITTING	ANSAUGANSCHLUSS
✓ 19	904380	O-RING	O-RING	O-RING	O-RING
✓ 20	902080	GHIERA 1" 1/4 GAS	FRETTE	RING NUT	NUTHUTTER
✓ 21	902580	FILTRO	FILTRE	FILTER	FILTER
✓ 22	902850	GHIERA	FRETTE	RING NUT	NUTHUTTER
✓ 23	907280	TROPPO PIENO	NIVEAU	OVER FLOW	UEBERLAUF
✓ 24	905440	RACCORDO SCARICO	RACCORD DE DECHARGE	PIPE FITTING FOR OUTLET	ABLAUFANSCHLUSS
✓ 25	905400	RACCORDO DI SCARICO	RACCORD DE DECHARGE	PIPE FITTING FOR OUTLET	ABLAUFANSCHLUSS
✓ 26	903820	MANICOTTO SCARICO	MANCHON DE DECHARGE	PIPE FITTING FOR OUTLET	ABLAUFANSCHLUSS
✓ 27	901761	CONTENITORE BRILLANTANTE	RECIPIENT BRILLANTANT	DRAINING OUTLET	AUSLASSMUFFE
28	902203	DOSATORE COMPLETO	DOSEUR COMPLET	GLASS AGENT CONTAINER	GLANZSPÜLMITTELBEHÄLTER
29	907270	TUBO ASP. BRILLANTANTE	TUYAU	COMPLETE DOSING DEVICE	DOSIERSATZ
30	902425	FASCETTA ELASTICA	COLLIER	PIPE CLAMP	LAUCHSCHELLE



mod. 250

SILANOS

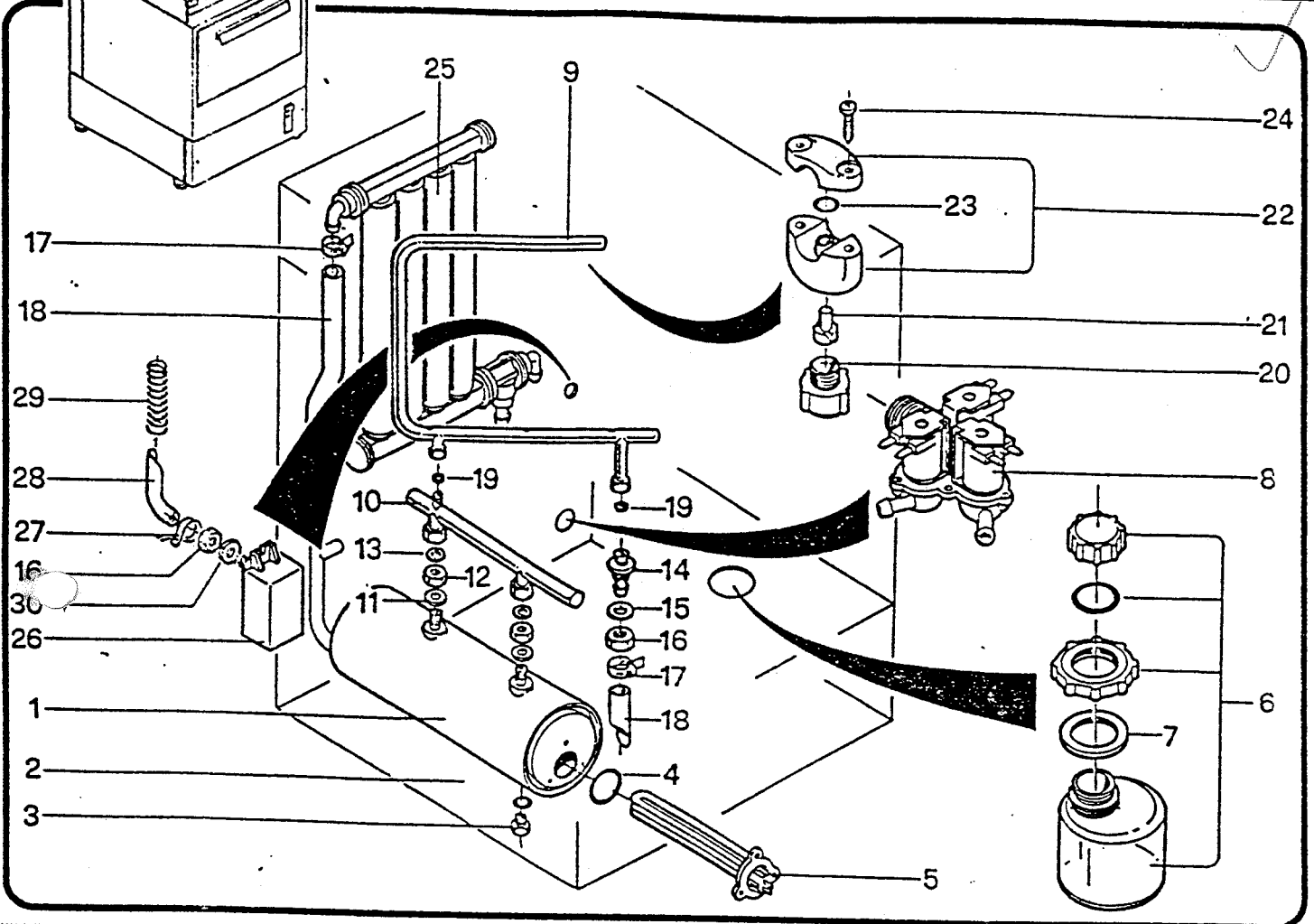


tavola n° 4

POS.	CODICE	DESCRIZIONE	DENOMINATION	DESCRIPTION	BEZEICHUNG
1	900360	BOILER	CHAUFFE EAU	BOILER	HEISSWASSERSPEICHER
2	904430	O-RING	O-RING	O-RING	O-RING
3	907820	VITE	VIS	SCREW	SCHRAUBE
4	903360	O-RING	O-RING	O-RING	O-RING
5	905500	RESISTENZA	RESISTANCE	HEATING ELEMENT	HEIZKÖRPER
6	901770	CONTENITORE SALE	RECIPIENT DU SEL	SALT CONTAINER	SALZBEHALTER
7	903340	GUARNIZIONE	JOINT	GASKET	DICHTUNG
8	902410	ELETTROVALVOLA A 3 VIE	SOUPAPE ELECTRIQUE	ELECTRIC VALVE	ELEKTROVENTIL
8	902400	ELETTROVALVOLA A 2 VIE	SOUPAPE ELECTRIQUE	ELECTRIC VALVE	ELEKTROVENTIL
8	902390	ELETTROVALVOLA A 1 VIA	SOUPAPE ELECTRIQUE	ELECTRIC VALVE	ELEKTROVENTIL
9	900140	ASTA DI RISCIAQUO	TIGE DE RINÇAGE	RINSING CONNECTION ROD	SPÜLSTAB
10	907390	TUBO RISCALDATORE	TUBE DE RECHAUFFE	HEATER TUBE	HEIZROHR
11	904340	O-RING	O-RING	O-RING	O-RING
12	902110	GHIERA 1/2"	VIOLE	LOCK NUT	NUTMUTTER
13	903400	GUARNIZIONE	JOINT	GASKET	DICHTUNG
14	956015	RACCORDO RISCIAQUO FRED.	RACCORD RINÇAGE A FROID	PIPE FITTING COLD RINSING	KALTSPÜLANSCHLUSS
15	904330	O-RING	O-RING	O-RING	O-RING
16	902100	GHIERA 3/8"	VIOLE	LOCK NUT	NUTMUTTER
17	902440	FASCETTA 13x20	COLLIER	CLAMP	SHELLE
18	907295	TUBO GOMMA Ø 12x17	TUYAU EN CAOUTCHOUC	RUBBER HOSE	GUMMISCHLAUSCH
19	903410	GUARNIZIONE	JOINT	GASKET	DICHTUNG
20	908090	GETTO RISCIAQUO	JET DE RINÇAGE	RINSING JET	SPÜLDÜSE
21	908080	DIFFUSORE DI RISCIAQUO	DIFFUSEUR DE RINÇAGE	RINSING SPREADER	SPÜLDIFFUSOR
22	901702	COLLARE RISCIAQUO	COLLIER DE RINÇAGE	RINSING COLLAR	KRAGENDÜSE
23	904392	O-RING	O-RING	O-RING	O-RING
24	907650	VITE AUTOFIL. 3,5x16	VIS	SCREW	SCHRAUBE
25	902150	DECALCIFICATORE	GROUPE ANTI-CALCAIRE	DECALCIFIER	ENKALTER
26	907252	TRAPPOLA ARIA	RESERVOIR A AIR	AIR TRAP	LUFTFALLE
27	902425	FASCETTA ELASTICA	COLLIER	CLAMP	SHELLE
28	907270	TUBETTO PRESSOSTATO	TUYAU PRESSOSTAT	PRESSURE SWITCH PIPE	SCHAUCH
29	904131	MOLLA TRAPPOLA ARIA	RESSORT	SPRING	FEDER
30	903260	GUARNIZIONE GOMMA 3/8"	JOINT	GASKET	DICHTUNG

mod. 250

SILANOS

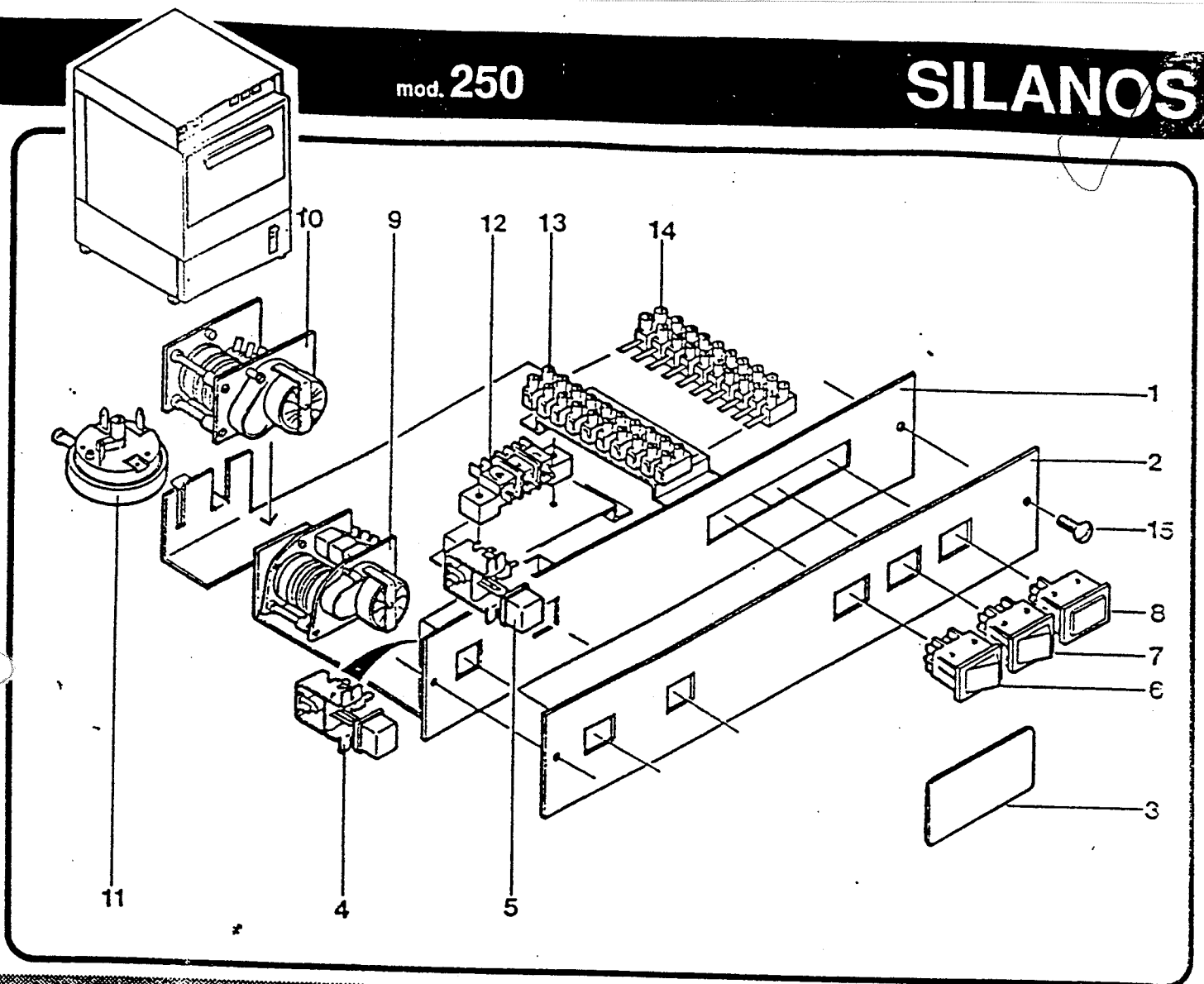


tavola n° 5

POS.	CODICE	DESCRIZIONE	DENOMINATION	DESCRIPTION	BEZEICHNUNG
1	953003	PIASTRA COMPONENTI ELETTR.	TABLEAU COMMANDE	ELECTRIC PANEL	E-TAPEL
2		PANNELLO COMANDI	PANNEAU DE CONTROLE	CONTROL PANEL	SCHALT TAFEL
3		TARGHETTA	PLAQUE	PLATE	SCHILDE
4	903600	INTERRUTT. SPIA PREPARAZ.	INTERRUPTEUR VOYANT DE PREPARAT.	ILLUM. "PREPARATION" SWITCH	LEUCHTENDER DRUCKKNOPF
5	905300	PULSANTE SPIA CICLO	BOUTON CYCLE	ILLUM. "CYCLE" PUSH-BUTTON	VORBEREITUNG
6	905310	INTERRUTTORE SPIA RISCIAQUO FREDDO	INTERREPTEUR RINCAGE A L'EAU FROIDE	ILLUMINATOR COLD RINSE SWITCH	COLDWASSERSPEICHERLAMPE LEUCHTENDER DRUCKKNOPF KALTE
7	905310	PULSANTE SPIA RIGENERAZIONE	BOUTON REGENERATION	ILLUMINATED REGENERATION BUTTON	NACHSPÜLUNGKONTROLLEUCHTE REGENERIERUNG
8	903652	LAMPADA BOILER	LAMPE BOILER	BOILER LAMP	WARMWASSERSPEICHERLAMP
9	907171	TIMER LAVAGGIO	TIMER LAVAGE	WASHING TIMER	KONTROLLEUCHTE "ZYCLUS"
10	907190	TIMER RIGENERAZIONE	TIMER REGENERATION	REGENERATION TIMER	REGENERIERUNGSZEITUHR
11	905270	PRESSOSTATO	PRESSOSTAT	PRESSURE SWITCH	DRUCKWAECHTER
12	904140	MORSETTIERE	BORNES	TERMINAL BOARD	KLEMMLEISTE
13	904170	MORSETTIERE	BORNES	TERMINAL BOARD	KLEMMLEISTE
14	904200	MORSETTIERE	BORNES	TERMINAL BOARD	KLEMMLEISTE
15	907860	YITE M5 X 12	VIS	SCREW	SCHRAUBE