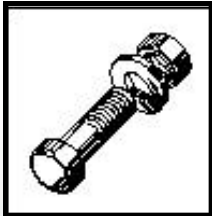


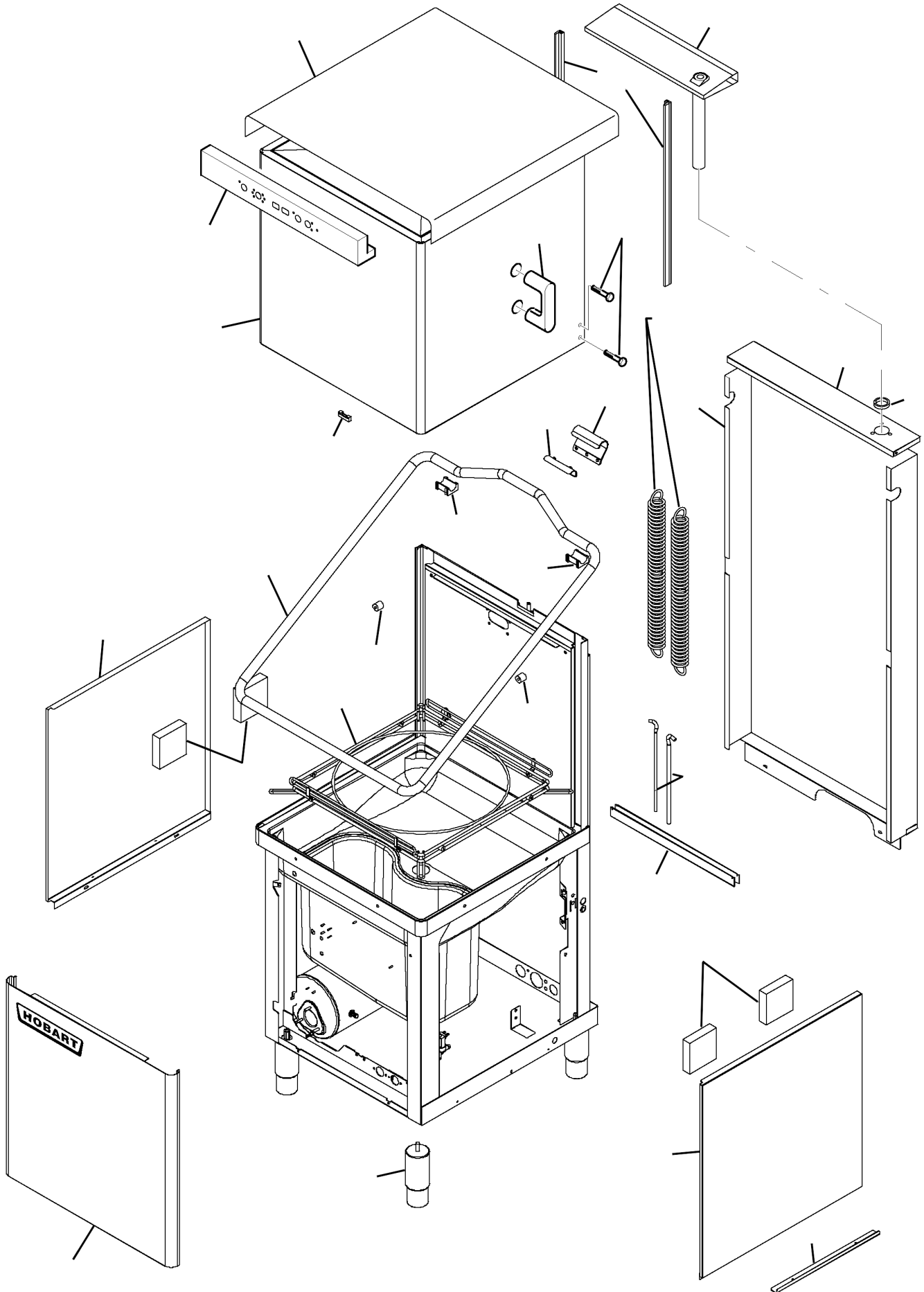
EH 60/CHH60D
EH 70/CHH70D
CHH 50

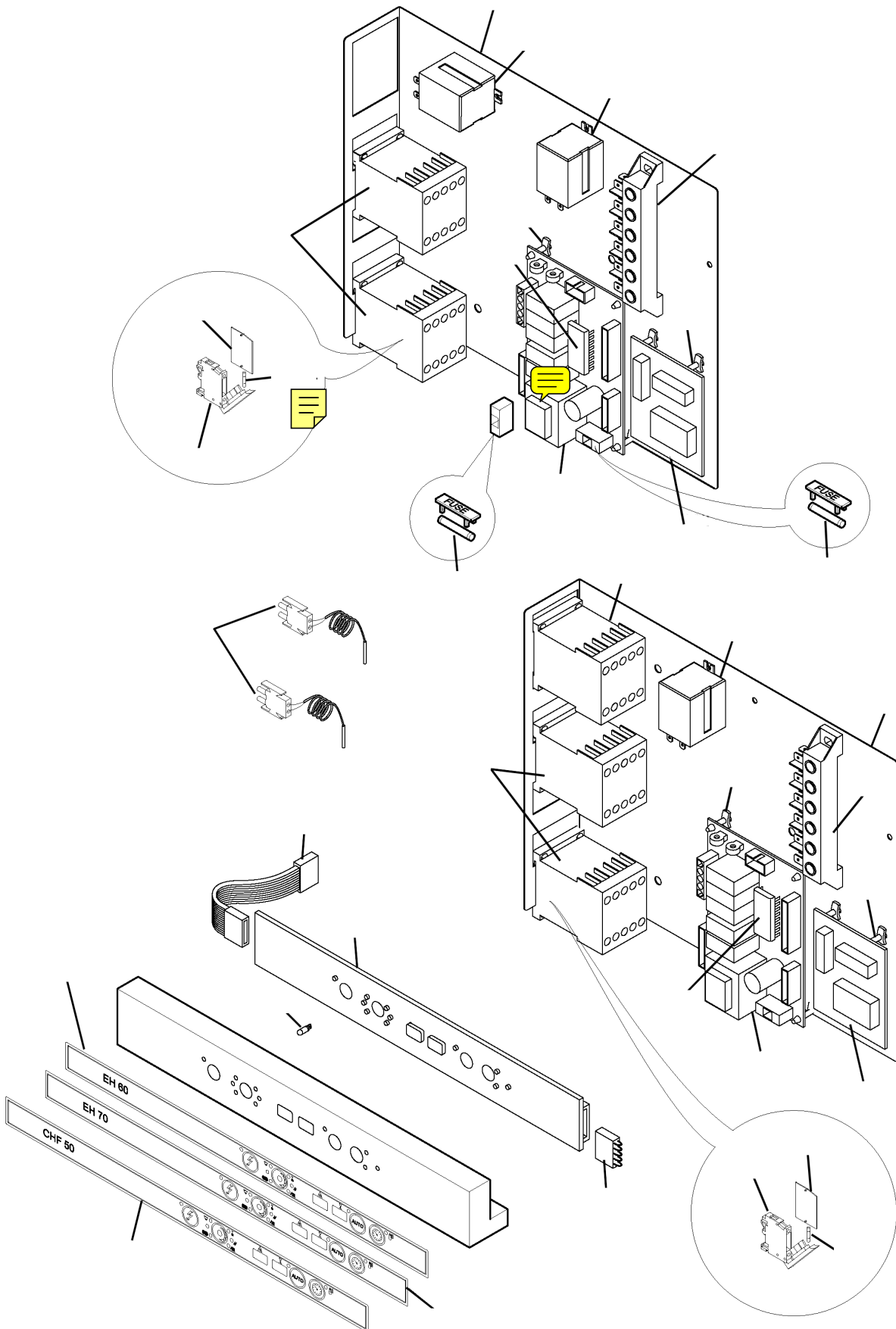


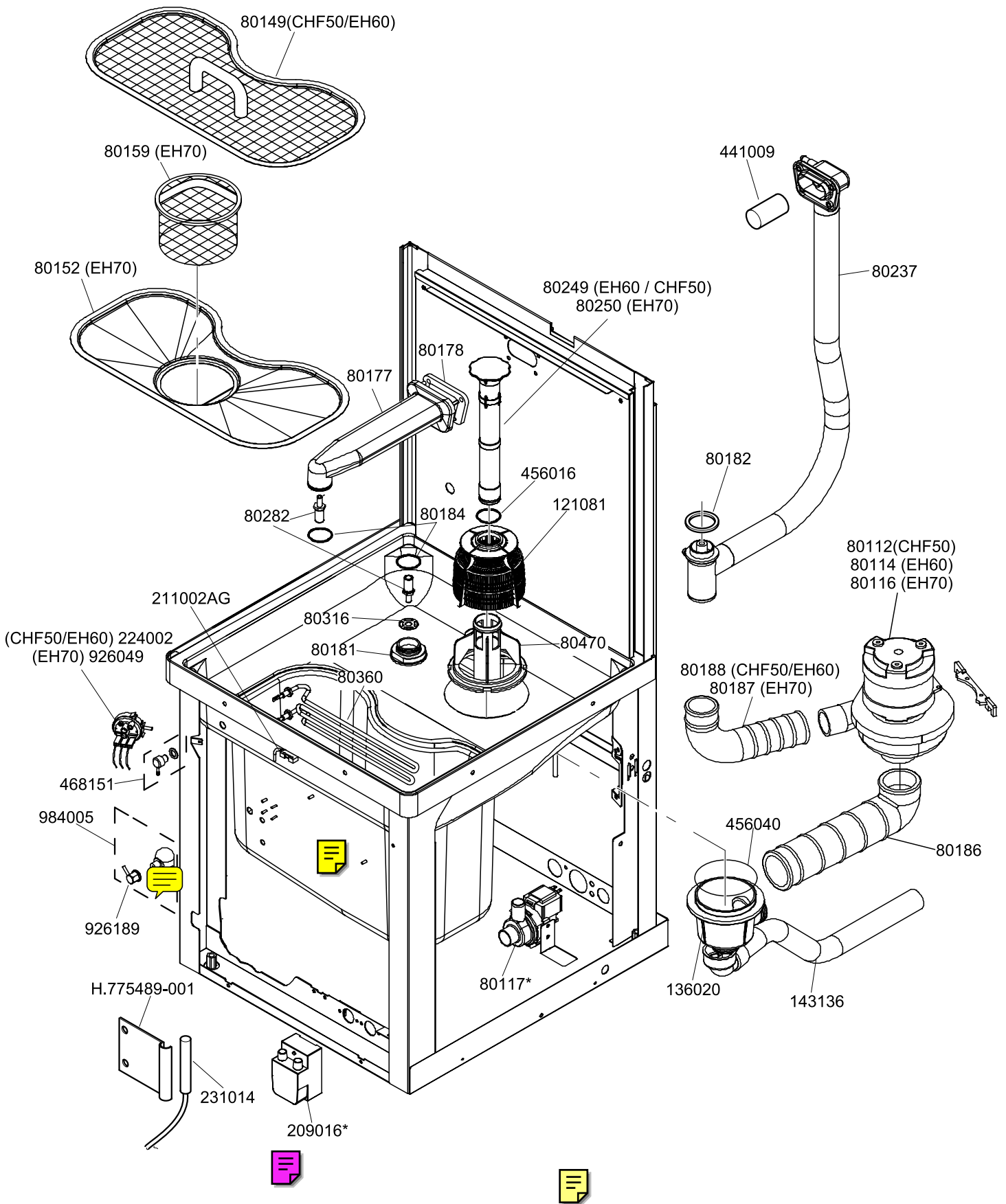
Spare Parts



Machine Body
Electrical components
Components in the tank
Wash pump

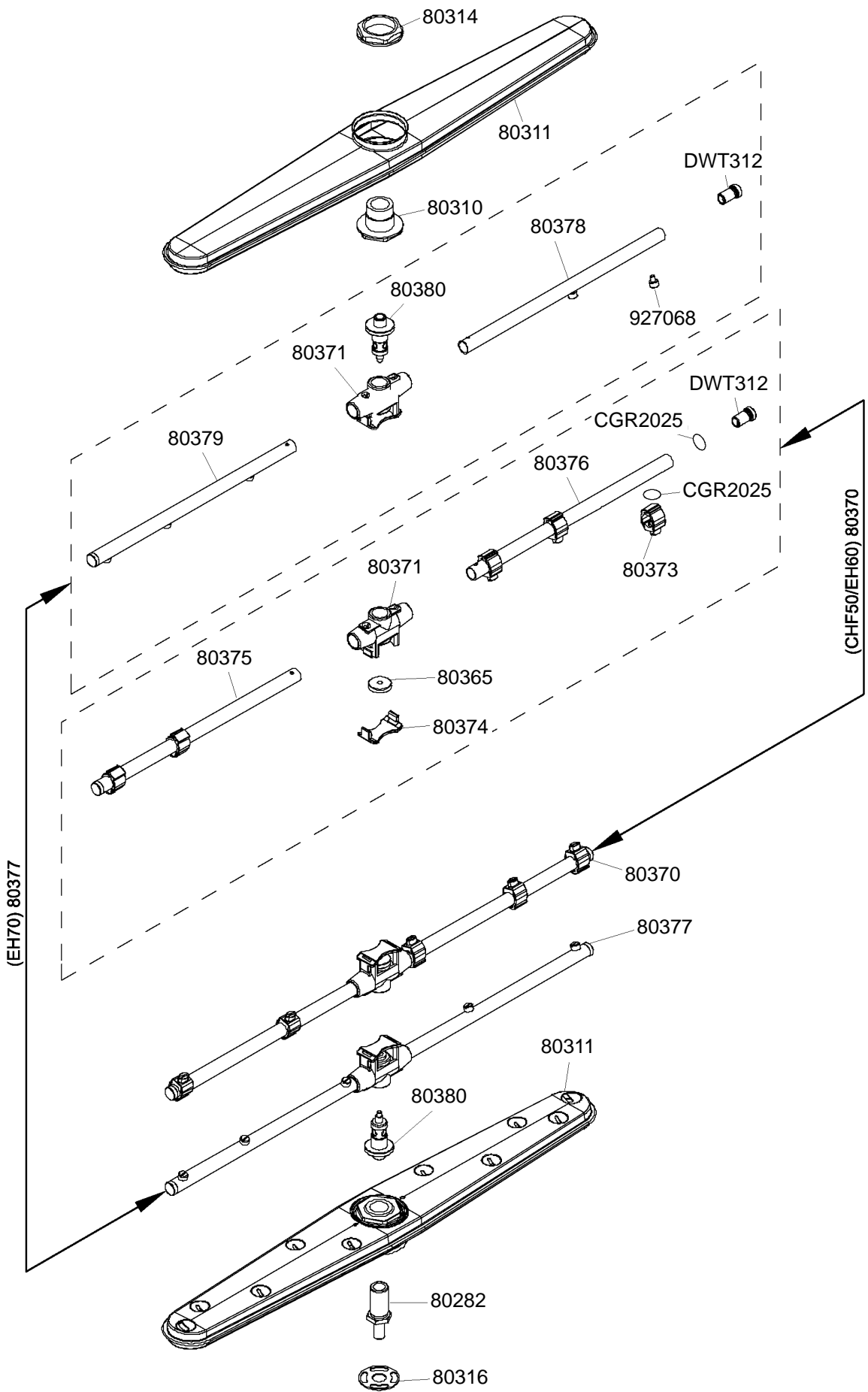


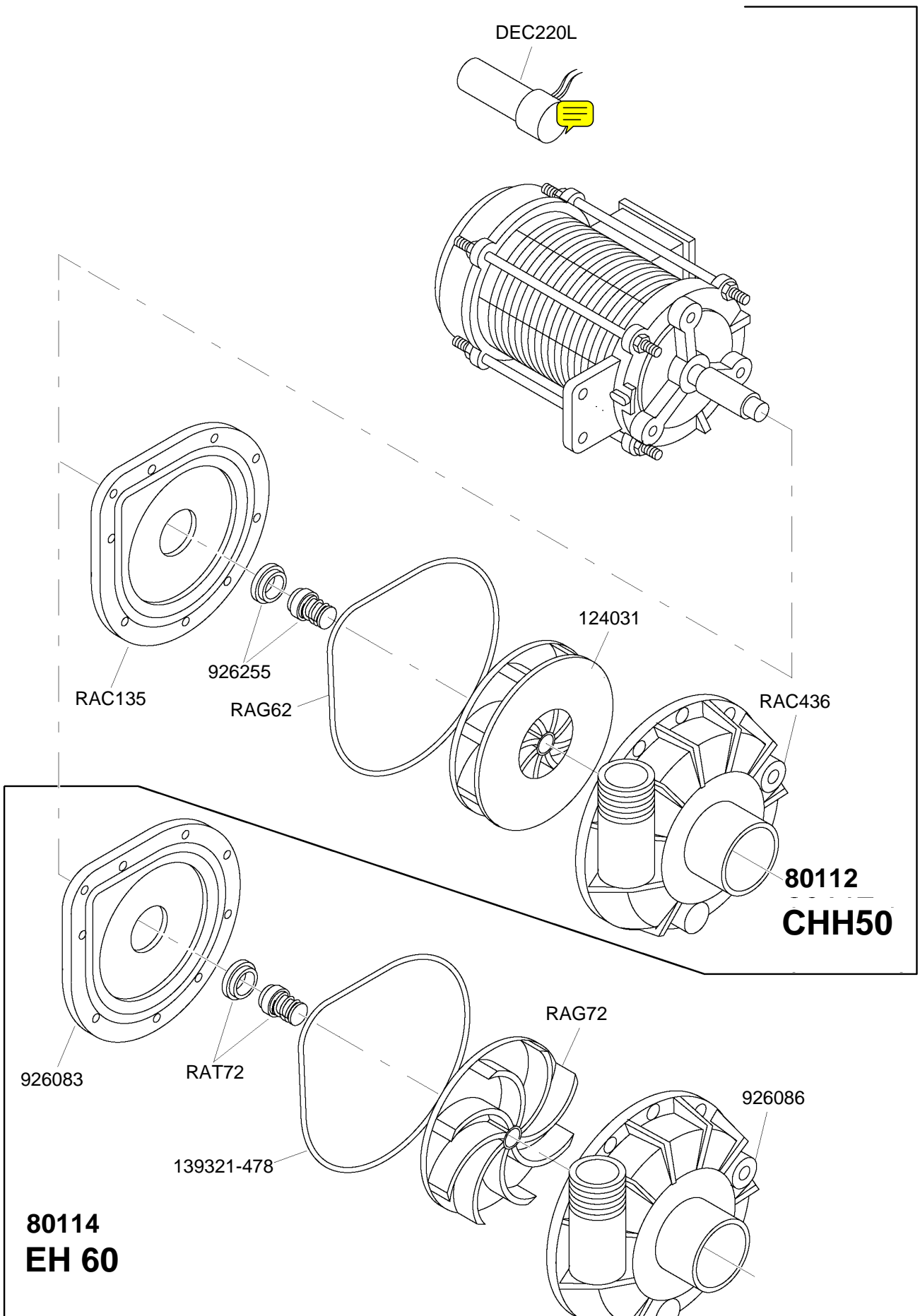


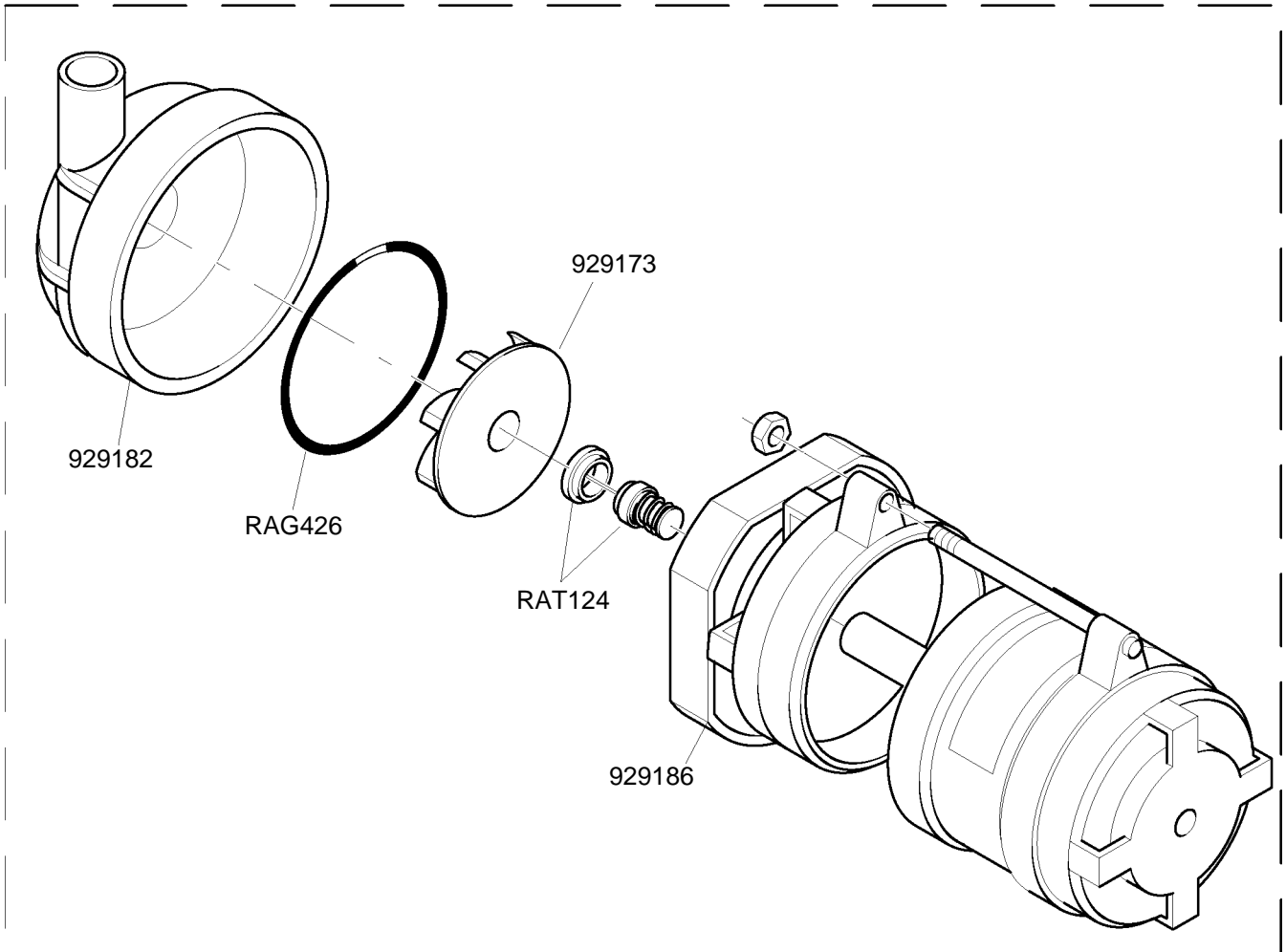


*FITTED AS STD ON

(*) Optional

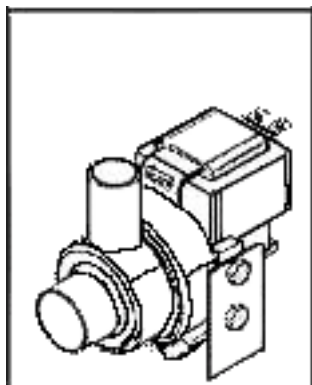




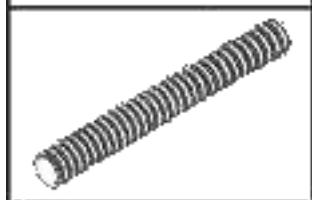


929167

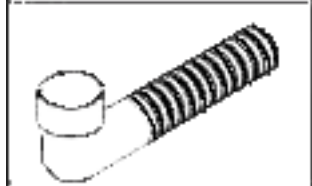
CHH50 - CHH60 - CHH70 Drain Pump Assy



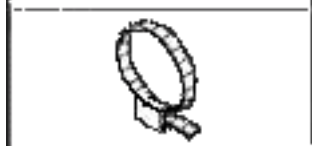
Drain Pump 220-240V 50Hz - 139321-1110



Drain Pipe 2000mm (drain pump to drain) DZS151 - 139321-968



Drain Pipe (from machine to pump) - (127056) 139321-969



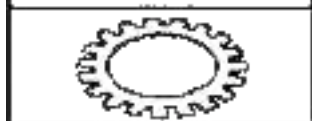
Jubilee Clip 40/60 -



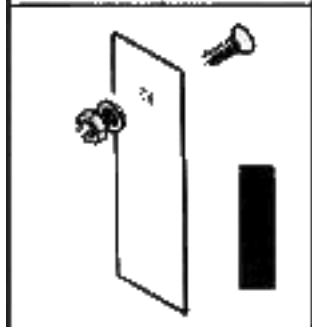
Jubilee Clip 20/32 - 166513-6



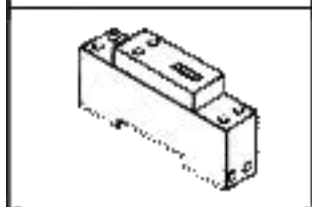
Bolt 6MAx12 -



Lockwasher D6 - LWM-E-3-4



Timer Card (tally drain timer) -



Timer (drain timer) -



As continued product improvement is a policy of HOBART, specifications are subject to change with-out notice.