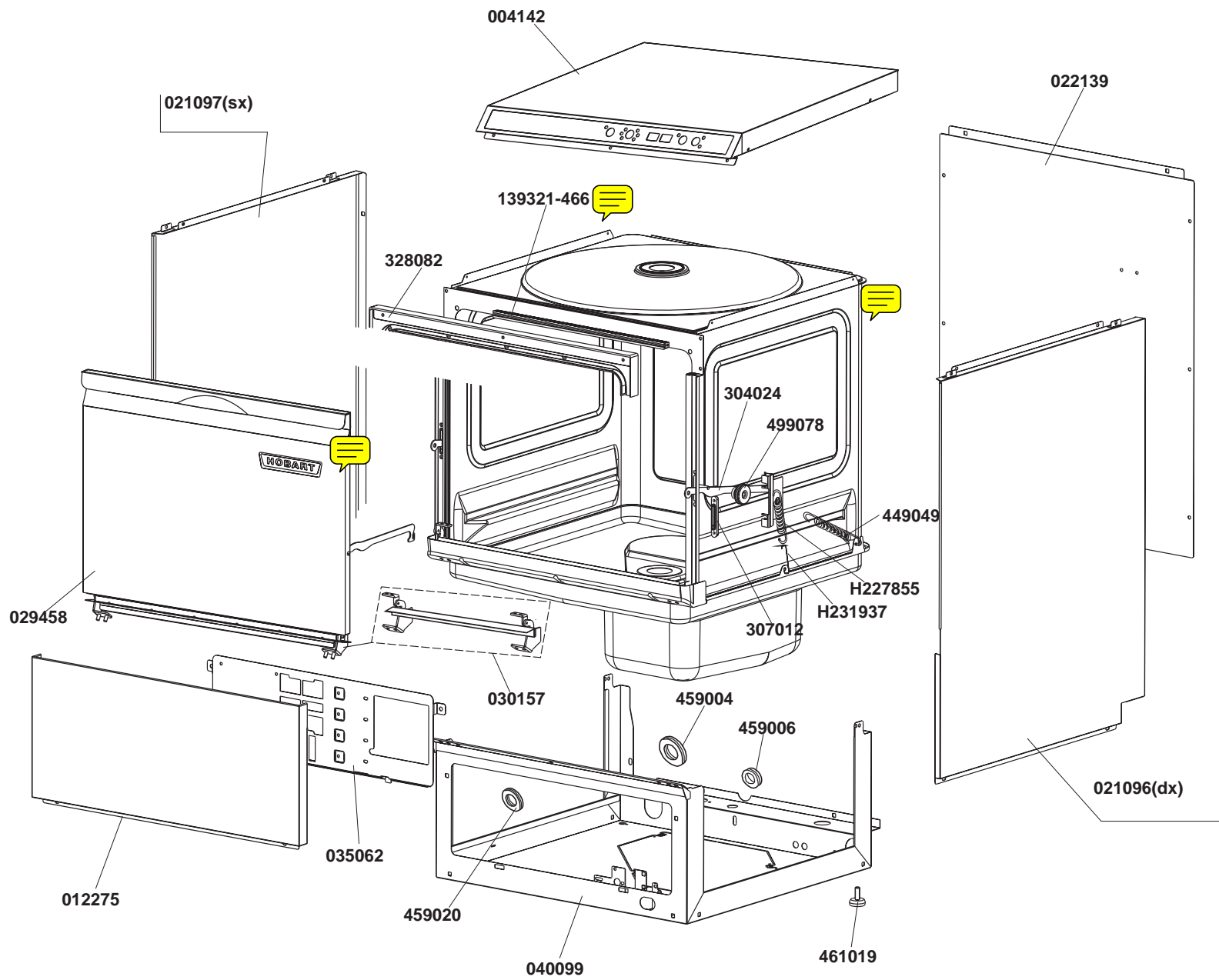


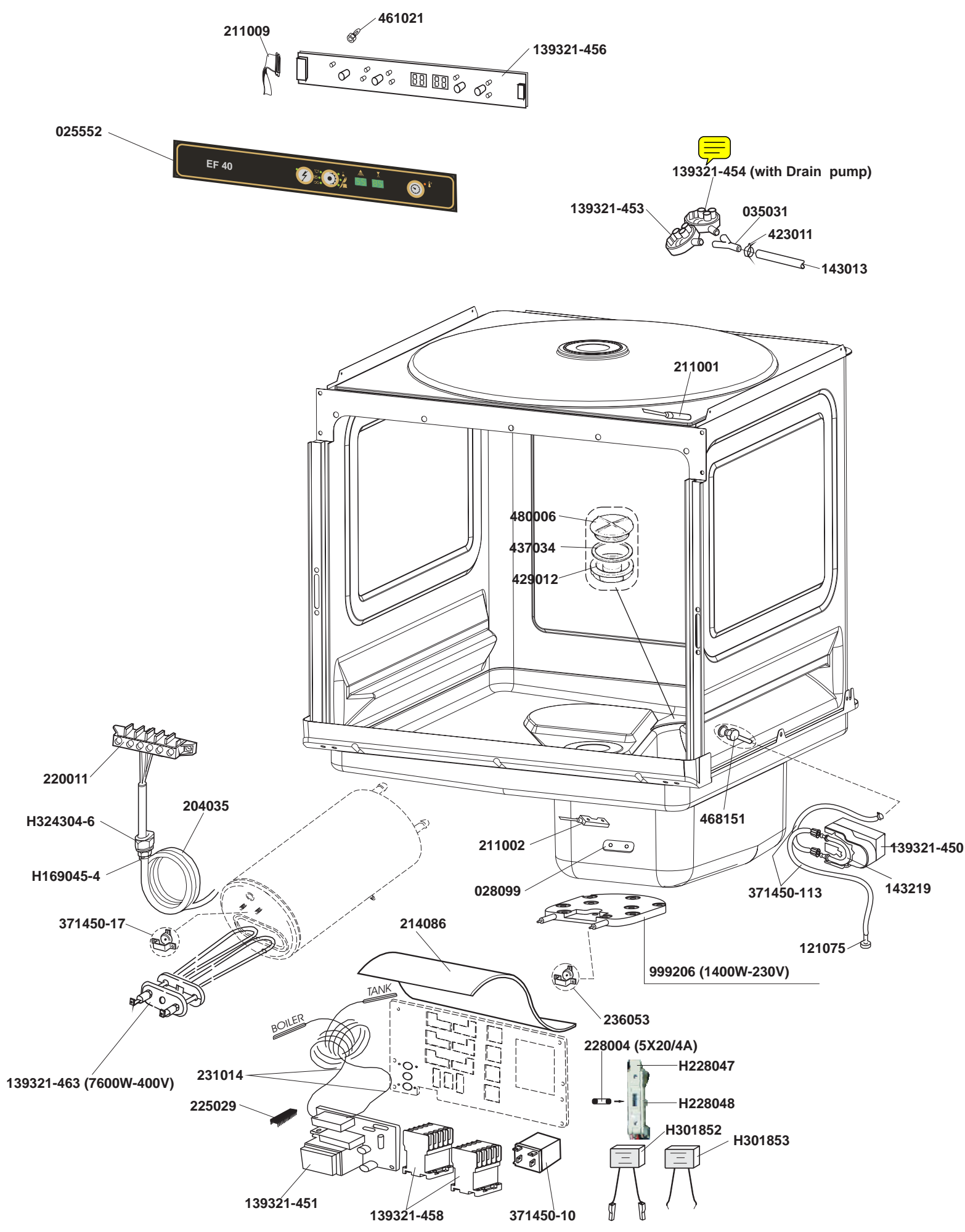
**EF 40/CHF45**

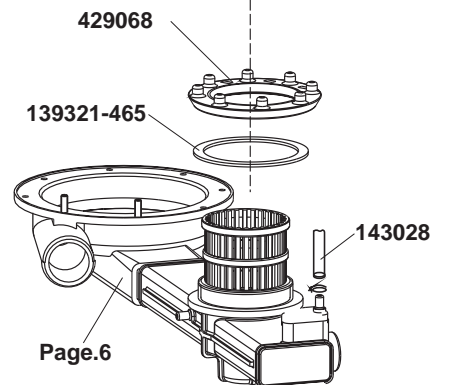
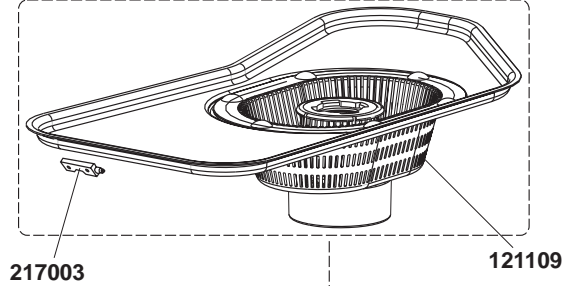
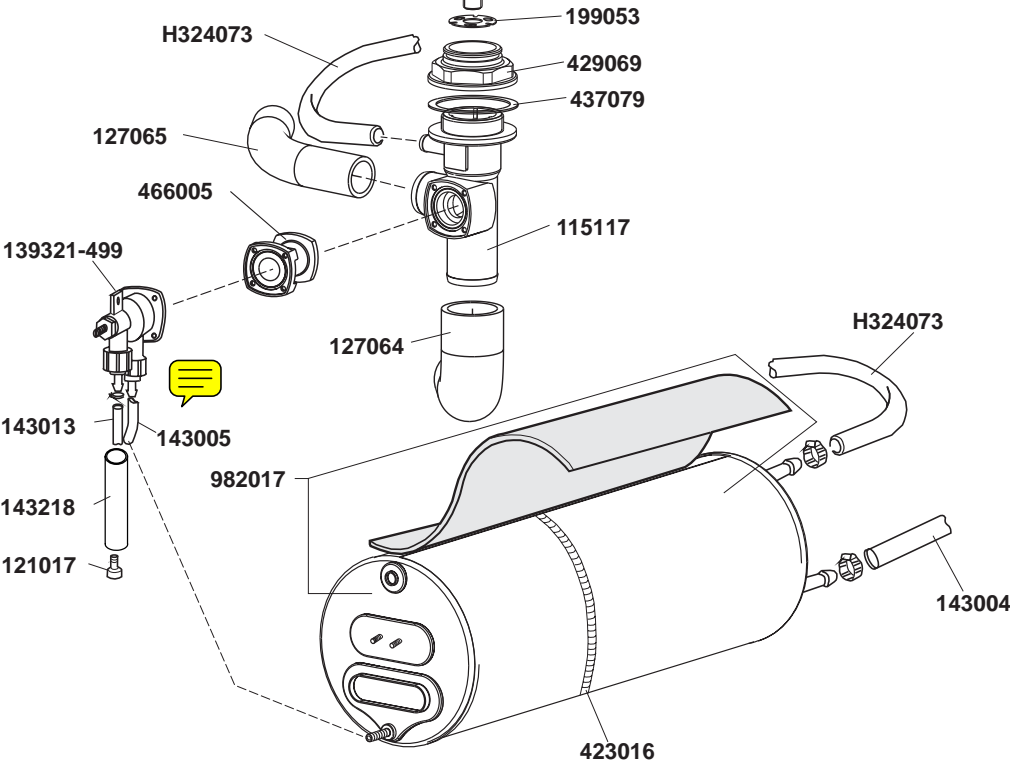
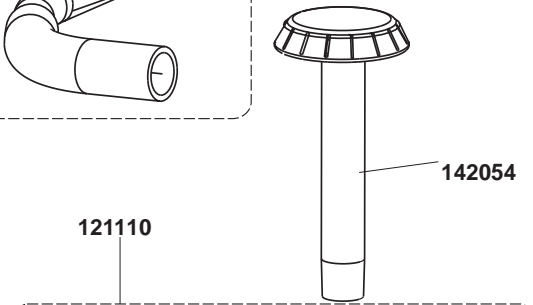
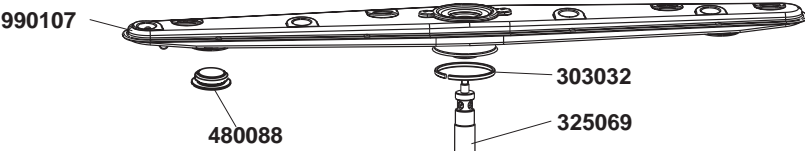
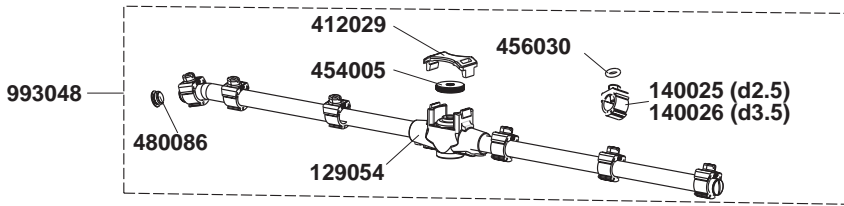
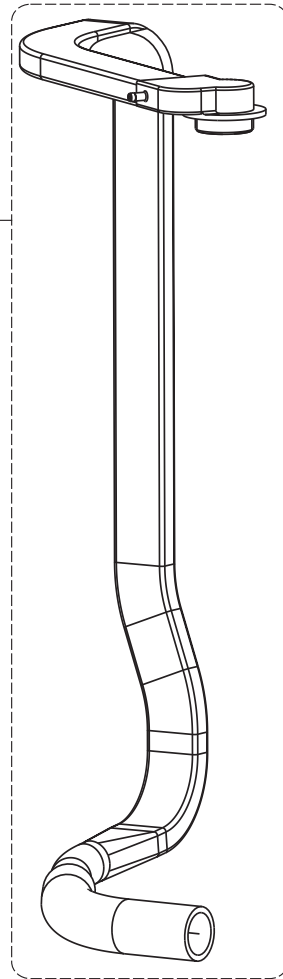
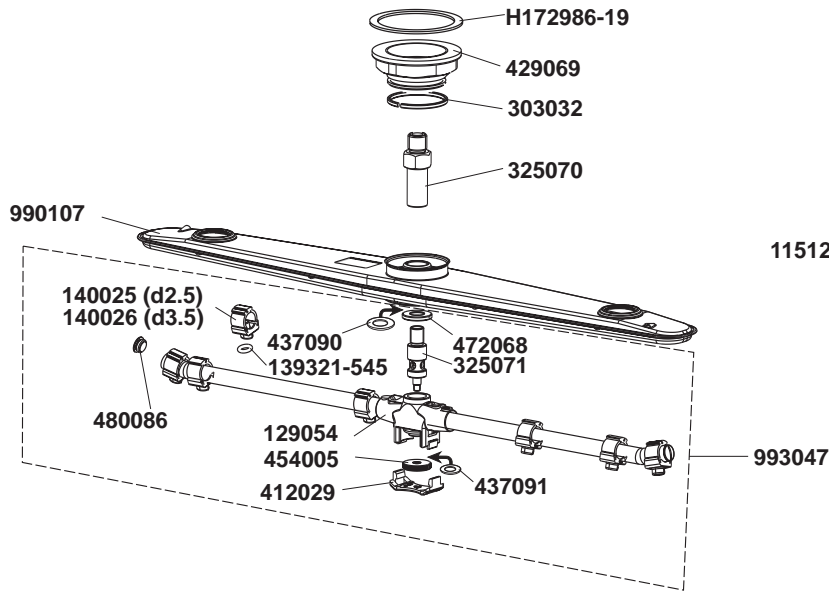


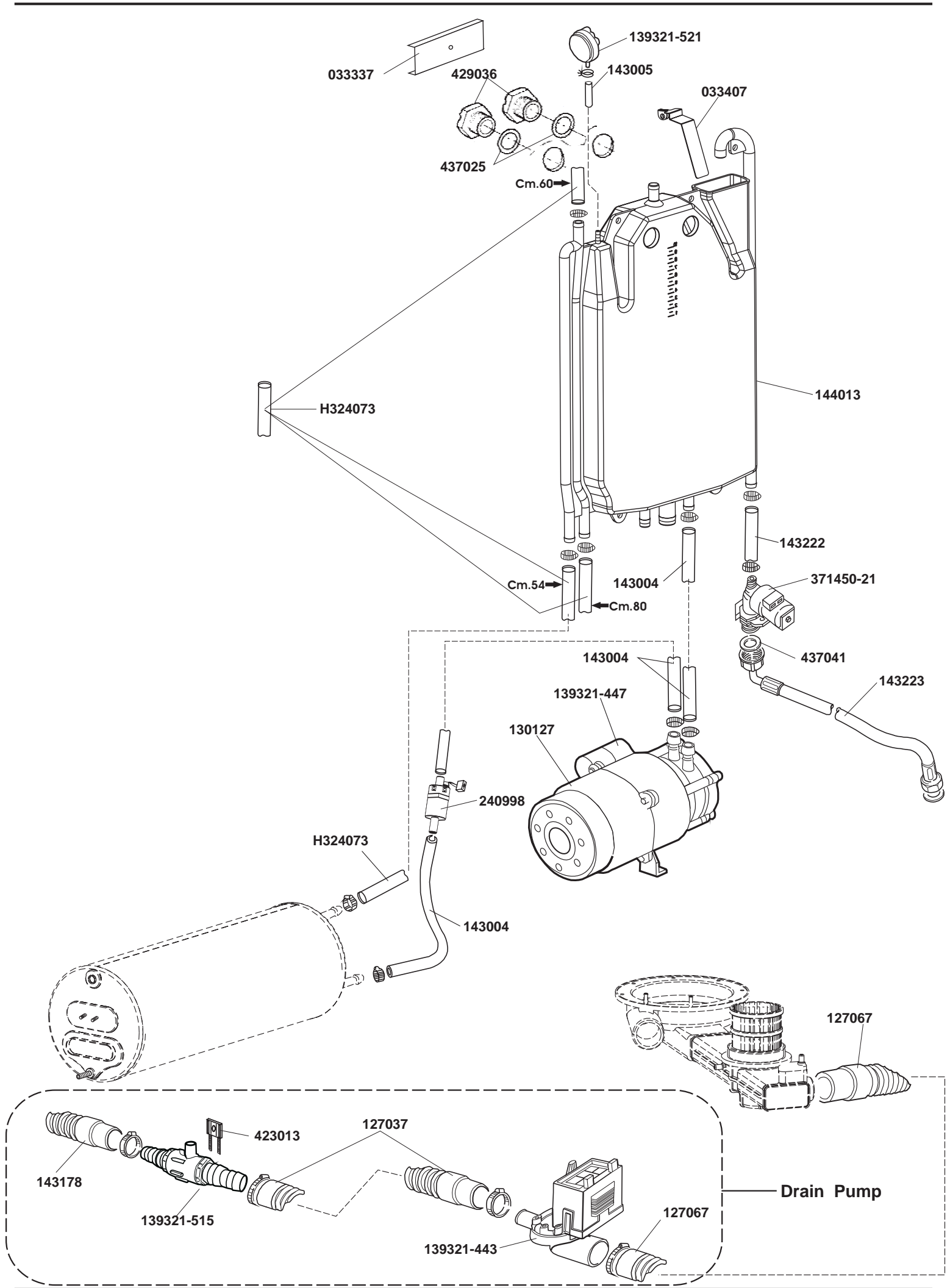
*Spare Parts*

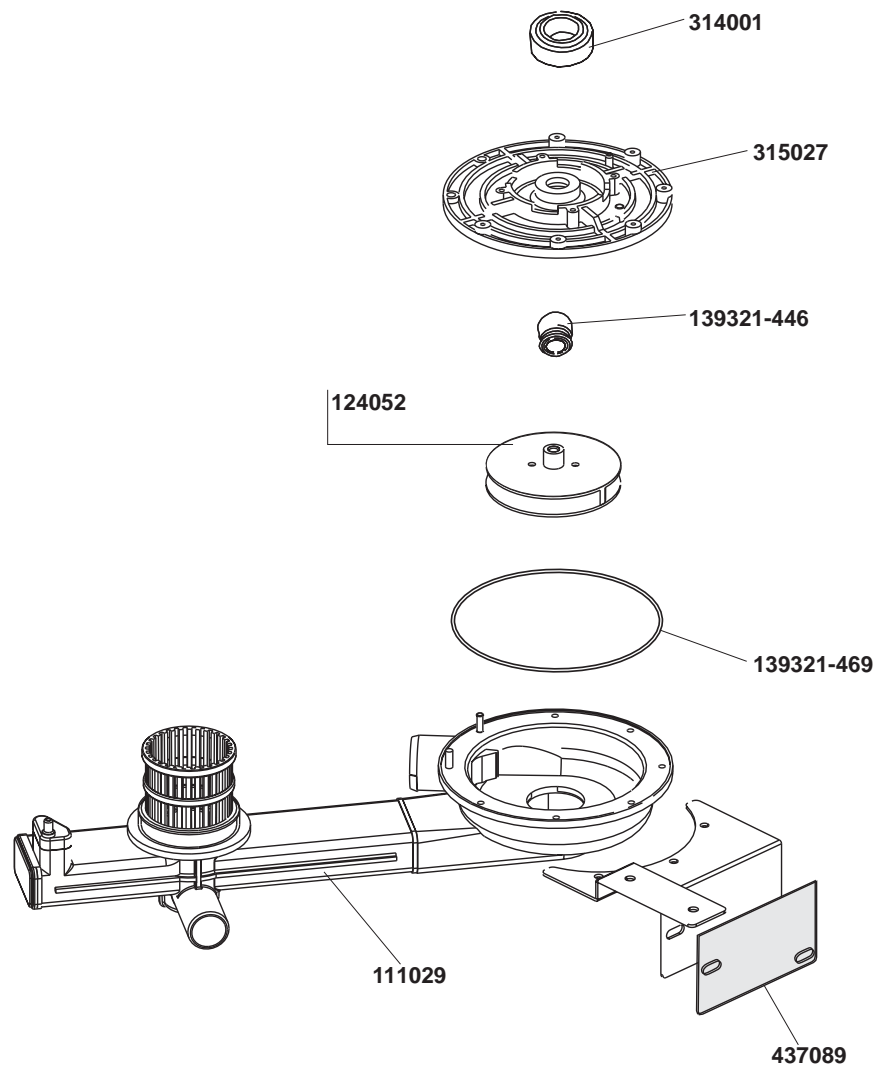
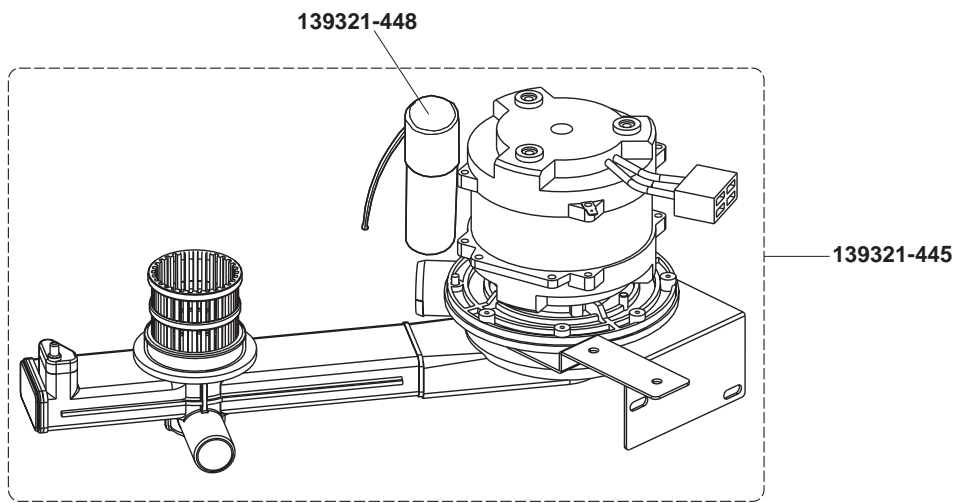














As continued product improvement is a policy of HOBART, specifications are subject to change with-out notice.