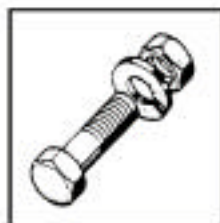


HOBART



**GW600 / GW601
GW600S /GW601S**

**SPARES MANUAL
1992 ONWARDS**

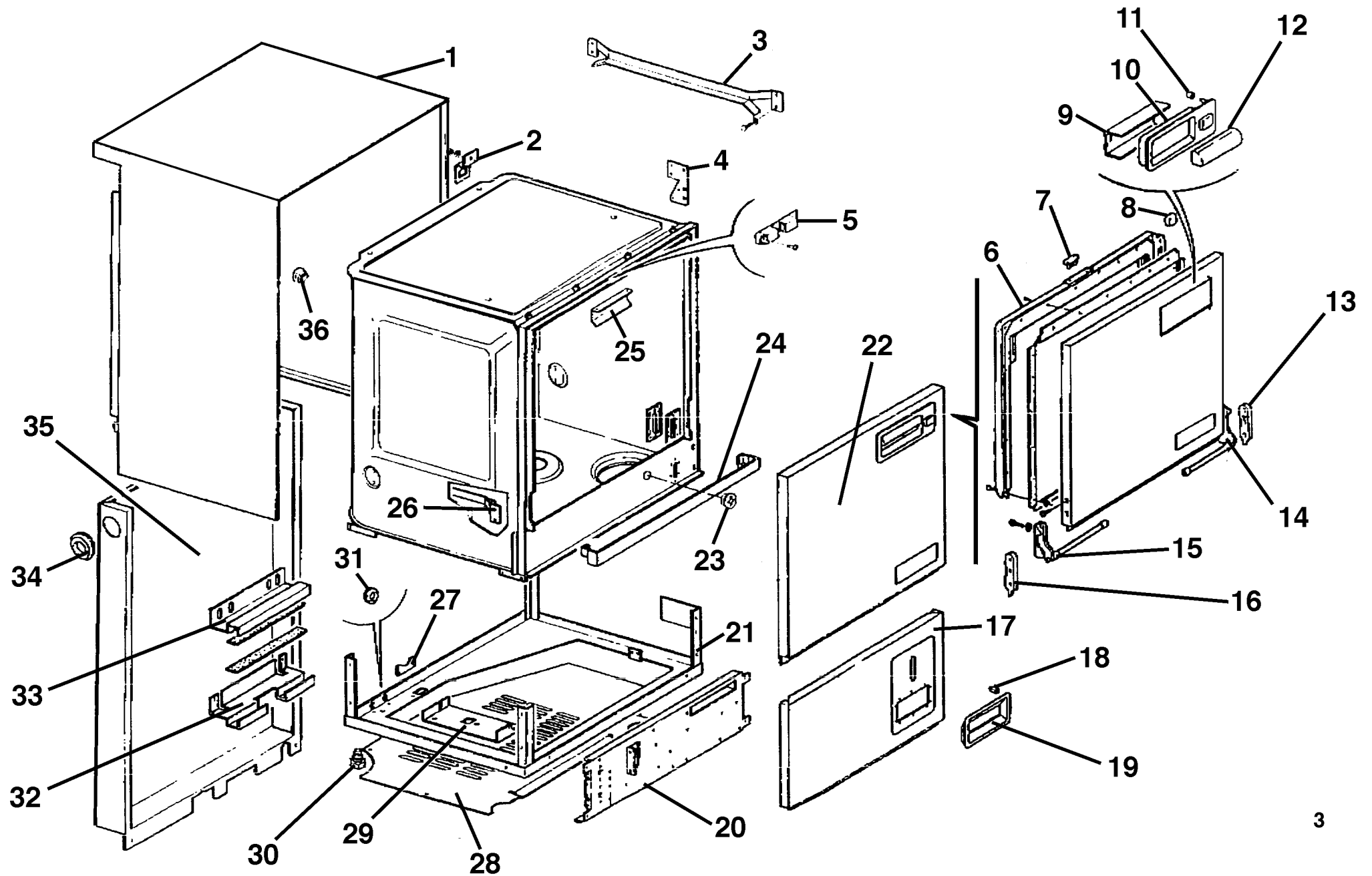




GW600-S / GW601-S

INDEX

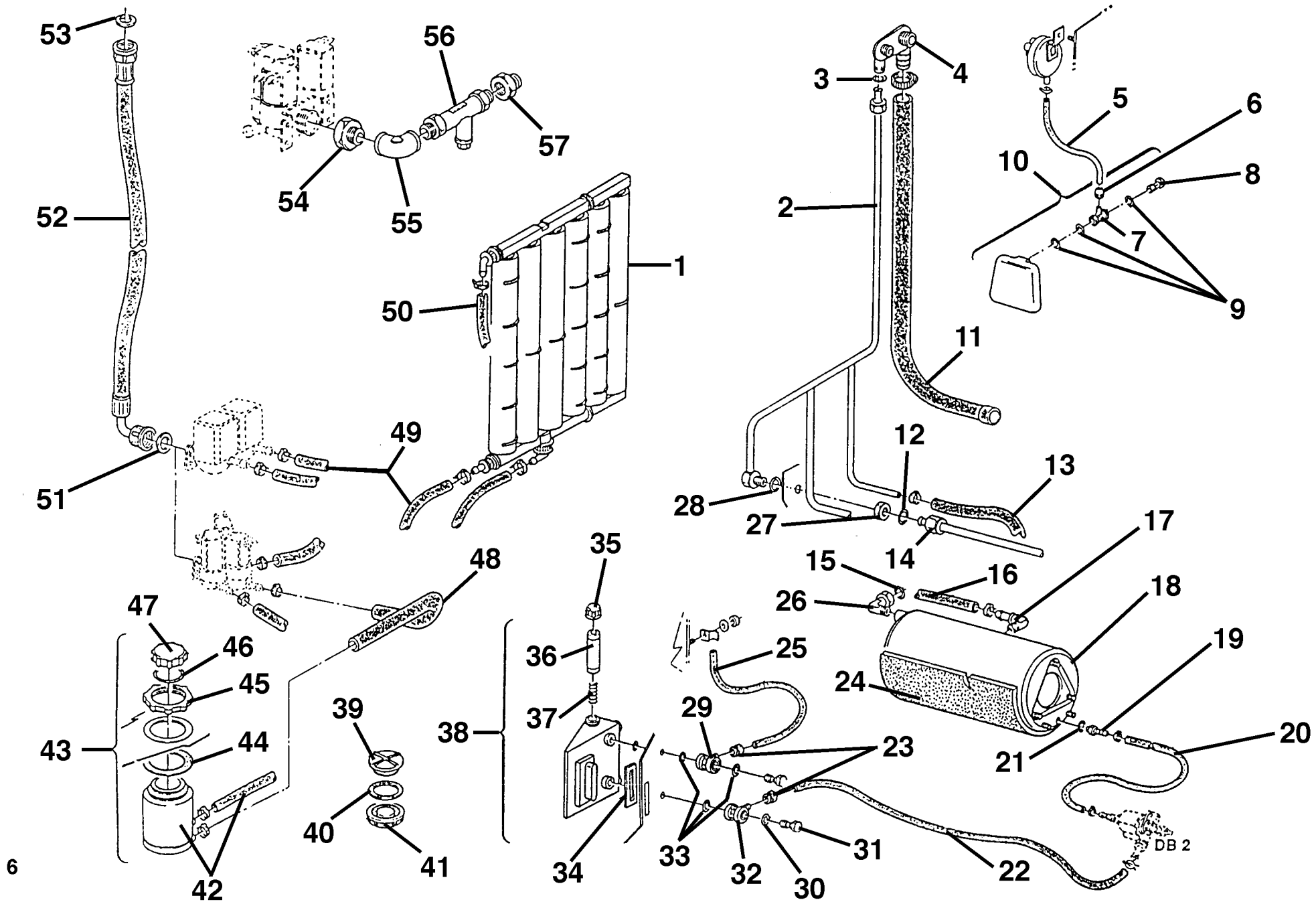
CASING & DOOR	3
PIPEWORK	6
WASH & DRAIN	10
ELECTRICAL	14
WASH PUMP	17
DRAIN & BOOSTER PUMP	19





GW600-S / GW601-S (Casing & Door)

1	139321-357	EXTERNAL PANEL (GW600)
	139321-358	EXTERNAL PANEL (VDE)
2	139321-370	BRACKET (PRESSURE SWITCH)
3	139321-255	RACK TRACK
4	139321-376	BRACKET (MICRO-SWITCH)
5	139321-24	LATCH DOOR
6	139321-210	SEAL DOOR (GW601)
	139321-144	SEAL DOOR (GW600)
7	139321-25	LATCH-DOOR
8	139321-432	MAGNET
9	139321-???	(03 30 58) BRACKET
10	139321-227	DOOR HANDLE
11	139321-220	BASE FIXING SPRING
12	139321-433	HANDLE
13	139321-268	PIVOT PLATE (RIGHT)
14	139321-266	DOOR HINGE (RIGHT)
15	139321-267	DOOR HINGE (LEFT)
16	139321-269	PIVOT PLATE (LEFT)
17	139321-344	MAGNET CONTACT + CBL
18	139321-220	BASE FIXING SPRING
19	139321-241	SWITCH MOULDING (3 WAY)
	139321-199	SWITCH MOULDING (4 WAY)
20	139321-367	ELEC COMP PANEL





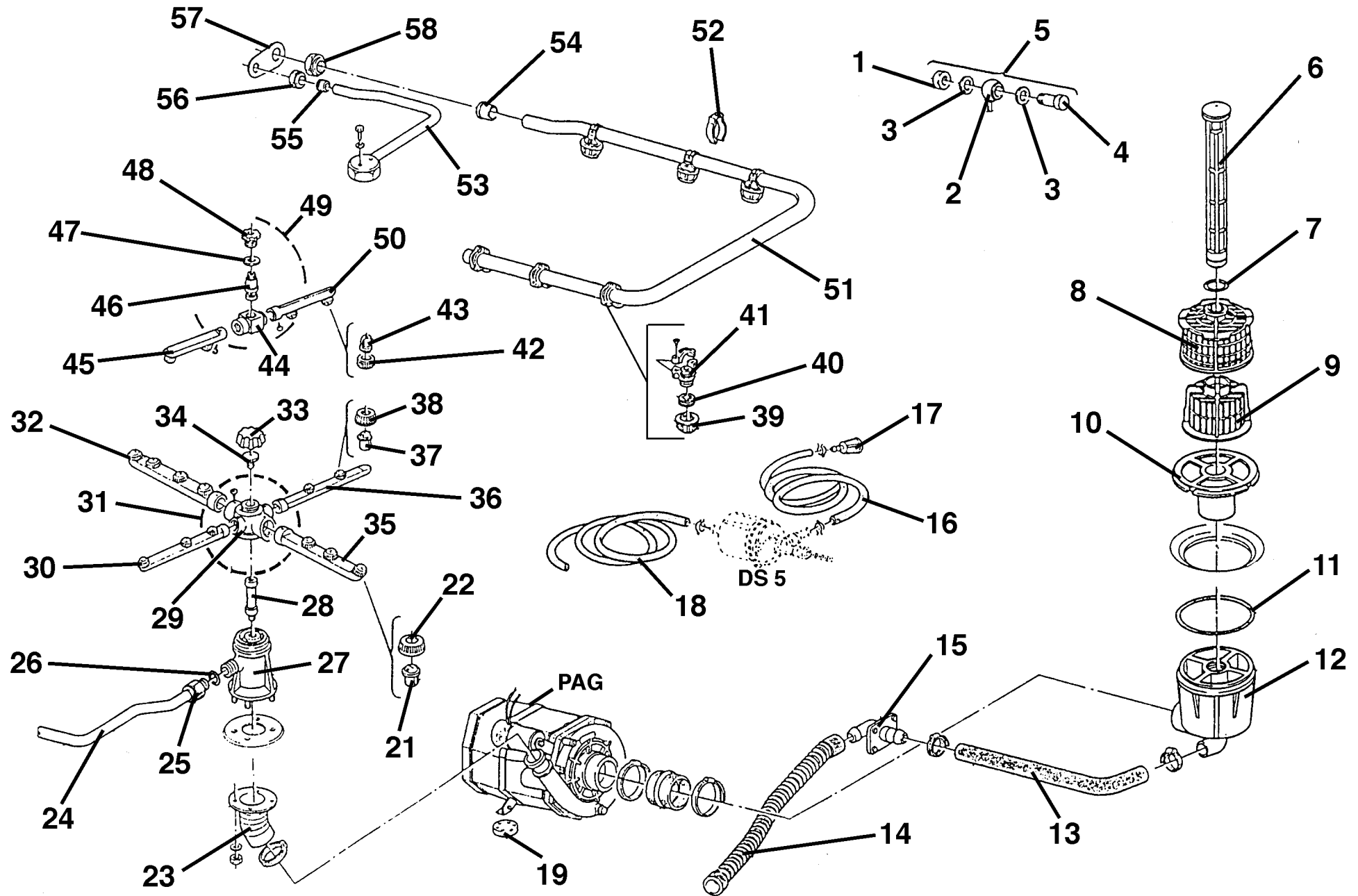
GW600-S / GW601-S PIPEWORK

1	139321-253	SOFTENER (6 COLUMN)
2	139321-???	RINSE PIPEWORK ASSY
3	139321-175	"O" RING
4	139321-132	MANIFOLD WASH RINSE
5	139321-136	TUBING (4mm X 7mm)
6	139321-75	NIPPLE (FOR RINSE)
7	139321-202	CONN PRESS BELL (BRASS)
8	139321-180	HOLE SCREW
9	139321-178	"O" RING
10	139321-47	PRESSURE SW BELL ASSY
11	139321-162	SUPPLY HOSE
12	139321-175	"O" RING
13	139321-125	HOSE (10mm x 17mm)
14	139321-417	NUT CONNECTION
15	139321-412	"O" RING
16	139321-125	HOSE (10mm x 17mm)
17	139321-379	IN / OUT RIGHT-ANGLE PIPE
18	139321-426	BOILER ASSY (VDE)
19	139321-421	RINSE AID CONNECTION (Changed 03/07/02 JZN)
20	139321-127	HOSE (5mm x 11mm)
21	139321-407	GASKET
22	139321-126	TUBING (4mm x 7mm)
23	139321-75	NIPPLE (FOR RINSE)



GW600-S / GW601-S PIPEWORK

24	139321-115	COVER (INSULATION)
25	139321-126	TUBING (4mm x 7mm)
26	139321-422	HOSE G3/8 x 12M)
27	139321-405	NUT (G1/2 CH22)
28	139321-173	GASKET
29	139321-202	CONN PRESS BELL (BRASS)
30	139321-178	"O" RING
31	139321-180	HOLE SCREW
32	139321-202	CONN PRESS BELL (BRASS)
33	139321-178	"O" RING
34	139321-155	GASKET
35	139321-48	CAP (RINSE AGENT)
36	139321-153	FILTER TUBE (RINSE AID)
37	139321-154	SPRING
38	139321-183	RINSE AID ASSY
39	139321-123	CAP BLANKING
40	139321-194	RUBBER GASKET
41	139321-217	SALT RESVR RING
42	139321-302	SALT RESERVOIR
43	139321-301	SALT CONTAINER ASSY
44	139321-194	RUBBER GASKET
45	139321-193	LOCKNUT (SALT RESVR)
46	139321-192	"O" RING





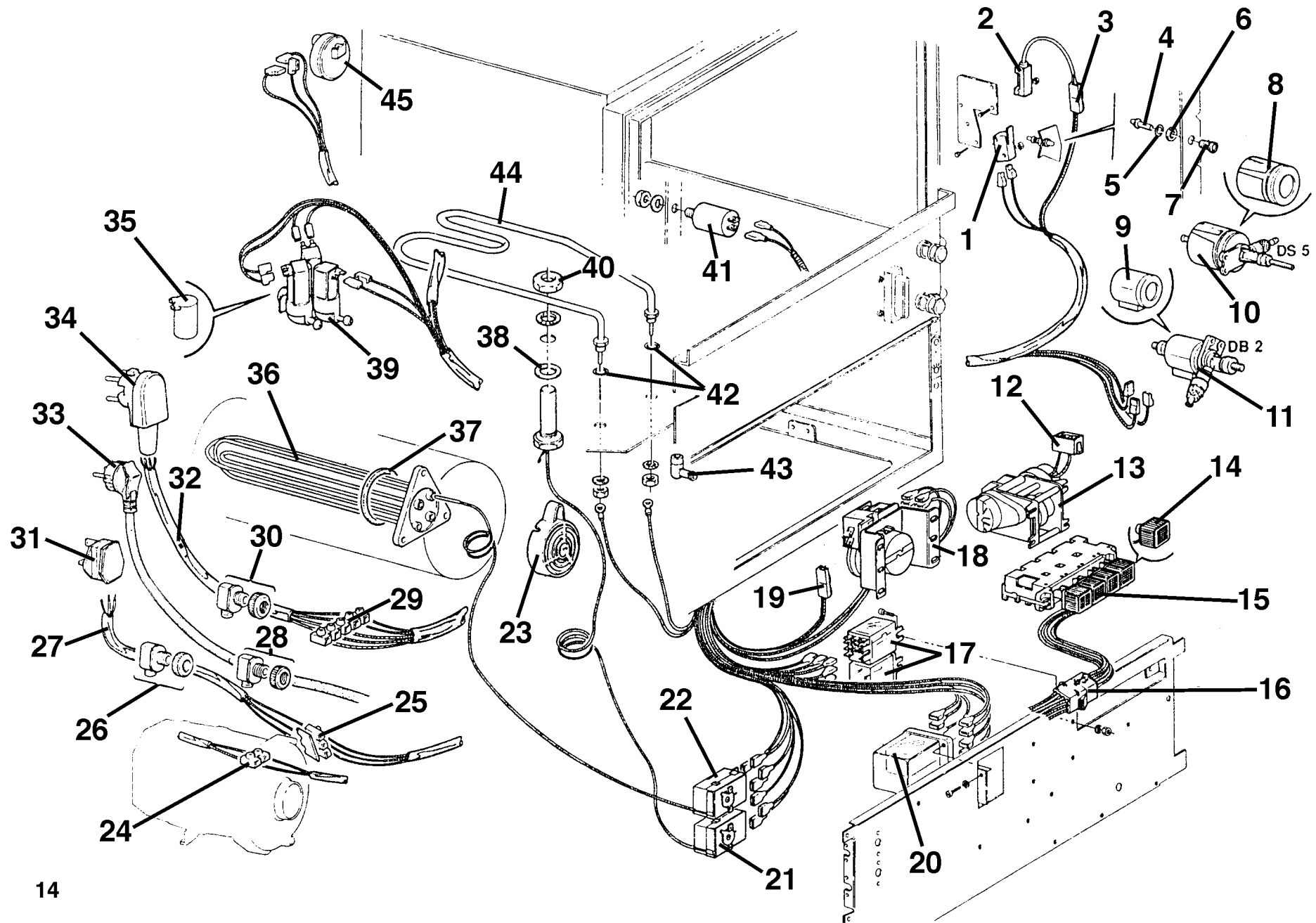
GW600-S / GW601-S WASH & DRAIN

1	139321-335	CONNEVTION (DETERGENT NUT)
2	139321-334	INLET CONNECTION (DETERGENT DISP)
3	139321-118	COPPER GASKET
4	139321-332	DETERGENT INLET CONNECTION
5	139321-430	DETERGENT INLET CONNECTOR ASSY
6	139321-157	OVERFLOW PIPE
7	139321-49	"O" RING DRAIN
8	139321-50	FILTER EXTERNAL
9	139321-51	FILTER INTERNAL
10	139321-158	TANK FILTER LOCKNUT
11	139321-52	"O" RING FILTER BODY
12	139321-159	DRAIN HOUSING
13	139321-160	DRAIN HOSE
14	139321-93	HOSE (25mm x 1.5M)
15	139321-161	CONNECTOR DRAIN
16	139321-???	
17	139321-???	
18	139321-???	
19	139321-163	PUMP INLET HOSE
20	139321-8	WASH PUMP (REFER PG. ??)
21	139321-32	WASH JET
22	139321-31	RETAINER WASH NOZZLE
23	139321-110	SUPPLY HOSE



GW600-S / GW601-S WASH & DRAIN

24	139321-440	"L" HOSE (MANIFOLD)
25	139321-418	NUT CONNECTION
26	139321-175	"O" RING
27	139321-111	MANIFOLD (LOWER WASH)
28	139321-113	BEARING PIN
29	139321-35	BODY LOWER WASH ARM
30	139321-30-1	LOWER RINSE ARM (3 HOLE / RIGHT)
31	139321-112	LOWER WASH / RINSE ARM ASSY
32	139321-29-1	WASH ARM (4 HOLE / RIGHT)
33	139321-28	KNOB
34	139321-107	FIXING PAWL
35	139321-29-2	WASH ARM (3 HOLE / LEFT)
36	139321-30-2	LOWER RINSE ARM (2 HOLE / LEFT)
37	139321-34	RINSE JET
38	139321-33	RETAINER (RINSE NOZZLE)
39	139321-98	UPPER WASH JET
40	139321-97	COLLAR WASH JET
41	139321-96	COLLAR WASH JET
42	139321-33	RETAINER RINSE NOZZLE
43	139321-34	RINSE JET
44	139321-45	BODY UPPER RINSE ARM
45	139321-272	UPPER RINSE ARM
46	139321-141	BEARING PIN (UPPER RINSE ARM)





GW600-S / GW601-S

Electrical

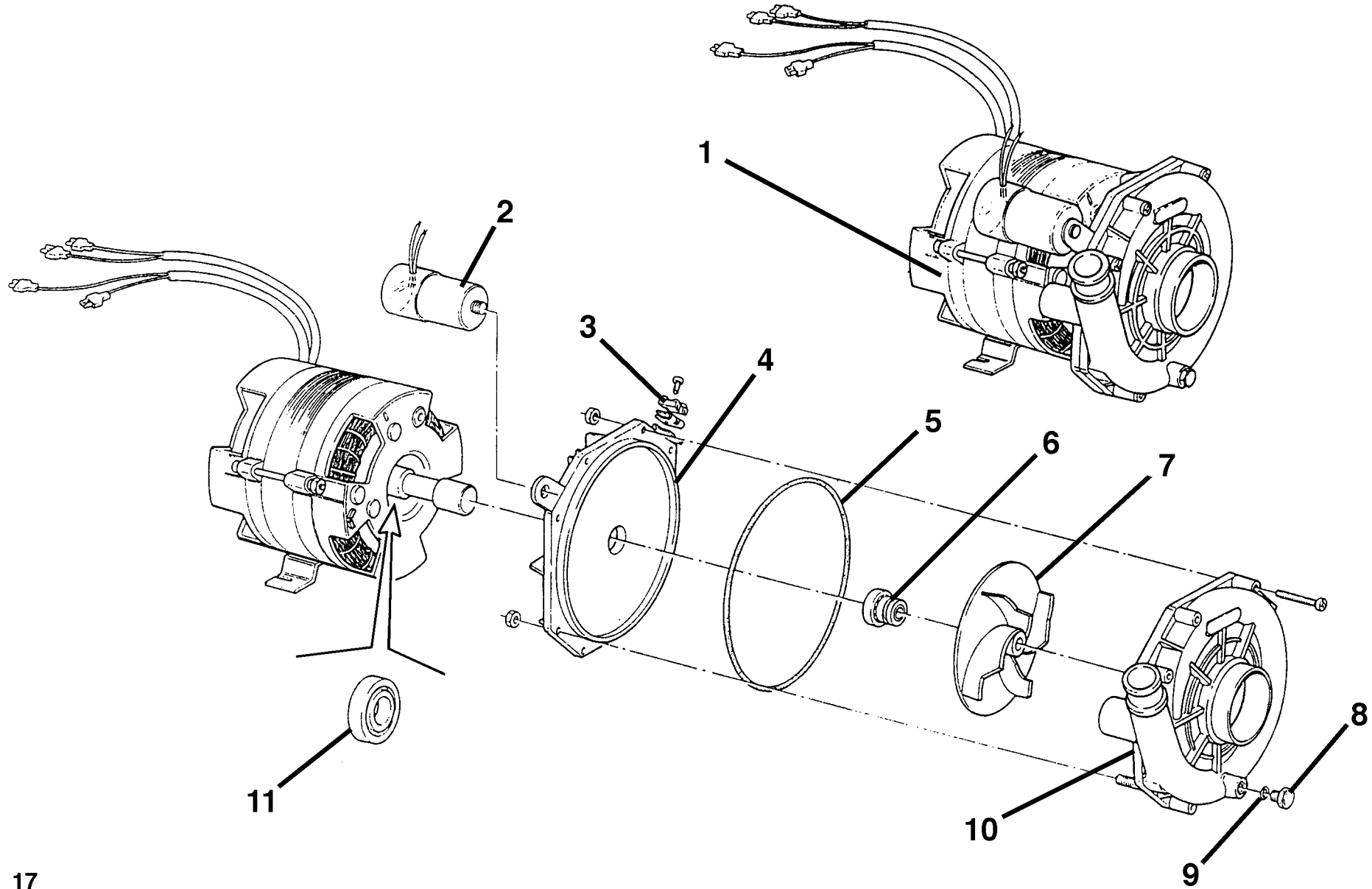
1	139321-41	MICROSWITCH (DOOR)
2	139321-344	MAGNET CONTACT + CBL
3	139321-437	CONNECTOR
4	139321-415	MICROSWITCH (EDGE)
5	139321-410	"O" RING
6	139321-406	POLE SLIDE FIXING NUT
7	139321-425	START TIP SLIDER (VDE)
8	139321-385	COIL (DS5 + CONNECTOR) VDE
9	139321-40	RINSE AID DISPENSER COIL
10	139321-428	DETERGENT DISPENSER (DS5) VDE
11	139321-427	RINSE AID DISPENSER (DB2) VDE
12	139321-438	CONNECTOR (4P)
13	139321-400	PROGRAMME / CYCLE TIMER
14	139321-228	CONTROL SWITCH
15	139321-393	PUSH BUTTON ASSY (4 WAY)
16	139321-438	CONNECTOR (4P)
	139321-439	CONNECTOR (6P)
17	139321-354	RELAY (60.62) 240.50.1
	139321-395	RELAY (60.63) 240.50.1
18	139321-225	REGEN TIMER
19	139321-437	CONNECTOR (2P)
20	139321-229	RELAY (B2) 240.50.1
21	139321-20	THERMOSTAT (TANK)
22	139321-19	THERMOSTAT (RINSE TANK)

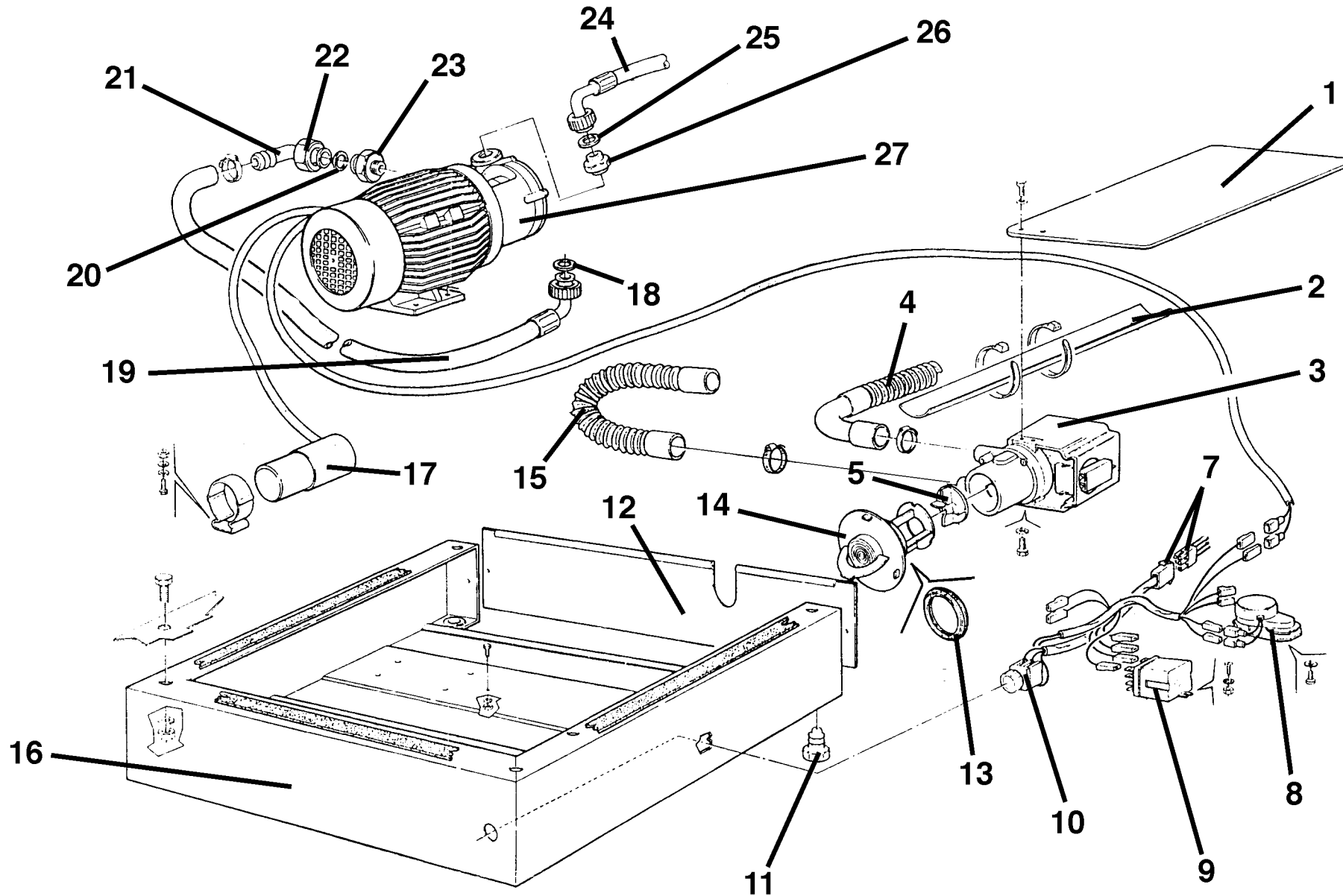


GW600-S / GW601-S

Electrical

23	139321-53	COVER (HEATING ELEMENTS)
24	139321-388	CONNECTOR
25	139321-389	CONNECTOR BOARD (3 CONTACTS)
26	139321-413	CABLE STOP
27	139321-125	WIRED SINGLE PHASE PLUG
28	139321-413	CABLE STOP
29	139321-390	CONNECTOR BOARD (5 TERMINALS)
30	139321-413	CABLE STOP
31	139321-401	PLUG (U.K. 1 PHASE)
32	139321-386	CABLE 5 WIRE 3 PHASE
33	139321-403	PLUG MONO PHASE
34	139321-402	PLUG THREE PHASE
35	139321-???	???
36	139321-397	HEATER ELEMENT (2500W . 220V)
	139321-36	HEATER ELEMENT (2700W . 240V)
37	139321-37	"O" RING (ELEMENT)
38	139321-???	GASKET
39	139321-1	SOLENOID VALVE (3-WAY)
	139321-65	SOLENOID VALVE (2-WAY)
40	139321-22	NUT (TANK THERMOSTAT)
41	139321-165	SUPPRESSOR
42	139321-408	GASKET
43	139321-???	??
44	139321-26	HEATER
45	139321-23	PRESSURE SWITCH







GW600-S / GW601-S Drain & Booster

1	139321-???	PLATE
2	139321-348	COVER KIT (DRAIN PUMP)
3	139321-349	DRAIN PUMP (220 / 240.50.1)
4	139321-???	PIPE
5	139321-352	IMPELLOR
6	139321-???	CABLE
7	139321-???	CONNECTOR
8	139321-355	TIMER
9	139321-354	RELAY (60.62) 240.50.1
10	139321-281	SWITCH (DRAIN PUMP)
11	139321-108	FOOT (ADJUSTABLE)
12	139321-???	PANEL
13	139321-353	GASKET (DRAIN PUMP)
14	139321-347	FILTER (DRAIN PUMP)
15	139321-345	HOSE
16	139383	BASE UNIT (110mm HIGH)
17	139321-9	CAPACITOR (8mF)
18	139321-???	GASKET
19	139321-92	WASTE INLET HOSE (3/4")
20	139321-???	GASKET
21	139321-299	CONNECTOR
22	139321-300	NUT



As continued product improvement is a policy of HOBART, specifications are subject to change without notice.

Ce catalogue n'est pas contractuel. HOBART se réserve le droit, et sans préavis, d'apporter toutes modifications ou améliorations à ses matériels.

HOBART behält sich das Recht vor, an allen Produkten technische Änderungen und Verbesserungen ohne Ankündigung vorzunehmen.

Voortdurende produktverbetering vormt een wezenlijk onderdeel van het beleid van HOBART. Specificaties kunnen zonder kennisgeving gewijzigd worden.