



CATALOG OF REPLACEMENT PARTS

LX SERIES DISHWASHERS



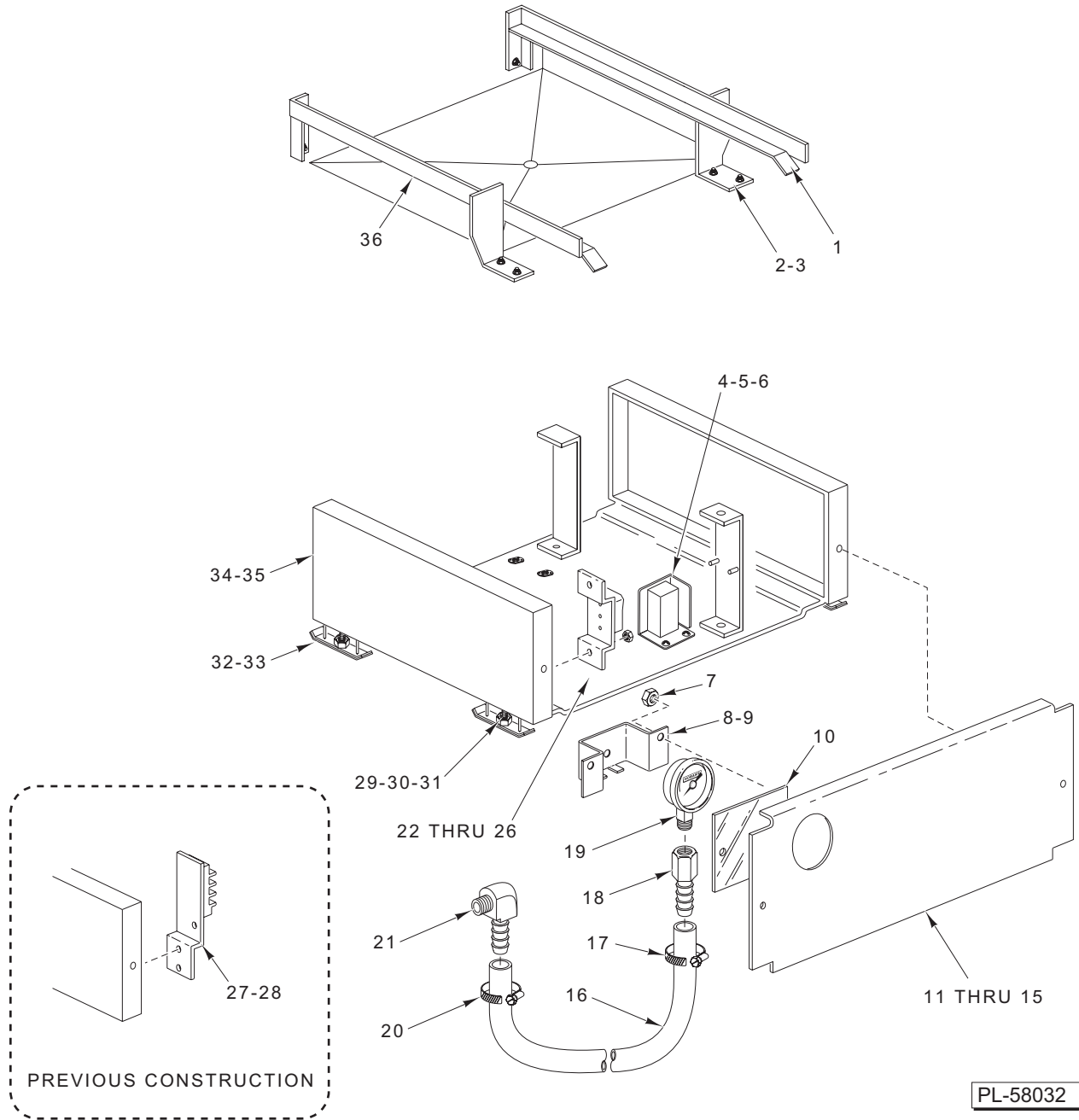
LXi COLD	ML-130016
LXi HOT	ML-130017
LXiG COLD	ML-130018
LXiG HOT	ML-130019

PRIOR MLS COVERED IN THIS MANUAL

LX18 COLD	ML-104349
LX18 COLD	ML-104350
LX18 HOT	ML-104351
LX30 COLD	ML-104353
LX30 HOT	ML-104354
LX40 HOT	ML-104356
LXG COLD	ML-110380
LXG HOT	ML-110381
LX30	ML-104352
LX40 COLD	ML-104355

Table of Contents

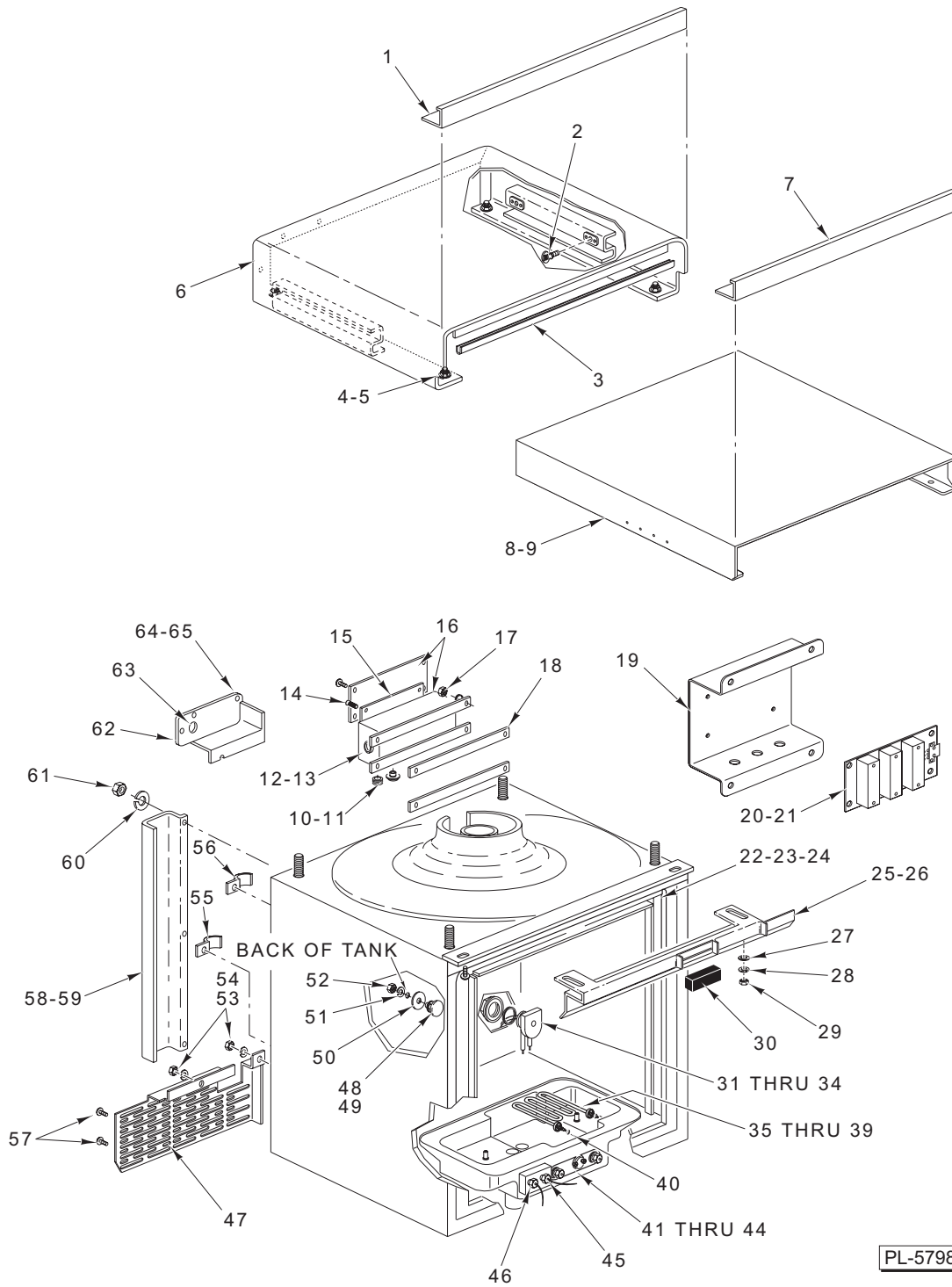
5	BASE ASSEMBLY
6	TANK ASSEMBLY
9	DOOR ASSEMBLY
11	ELECTRICAL COMPONENTS (LX SERIES)
13	ELECTRICAL COMPONENTS (LXi SERIES)
15	DISPLAY
17	WASH AND RINSE ARM ASSEMBLY (LX30/40, LXG, LXi, & LXiG SERIES) (PREVIOUS CONSTRUCTION)
19	WASH AND RINSE ARM ASSEMBLY (LX30/40, LXG, LXi, & LXiG SERIES) (CURRENT CONSTRUCTION)
21	WASH ARM ASSEMBLY (LX18 SERIES)
23	WASH PIPE ASSEMBLY (PREVIOUS CONSTRUCTION)
25	WASH PIPE ASSEMBLY (CURRENT CONSTRUCTION)
27	PUMP AND MOTOR ASSEMBLY
29	BOOSTER ASSEMBLY
31	PLUMBING (LX18 SERIES)
32	PLUMBING (LX30/40, LXG, LXi, & LXiG SERIES) (PREVIOUS CONSTRUCTION)
34	PLUMBING (LXi & LXiG SERIES) (CURRENT CONSTRUCTION)
37	FILL AIR GAP (LX18 SERIES)
39	SANITIZER PUMP TUBING (LXC, LXGC, LXiC, & LXiGC SERIES)
40	DETERGENT/RINSE AID PUMP TUBING (LX18 SERIES)
41	DETERGENT/RINSE AID PUMP TUBING (LX30/40, LXG, LXi, & LXiG SERIES)
42	CHEMICAL PUMPS
43	MISCELLANEOUS



BASE ASSEMBLY

BASE ASSEMBLY

ILLUS. PL-58032	PART NO.	NAME OF PART	AMT.
1	00-328634	Track Assy. (RH).....	1
2	NS-015-01	Nut 1/4-20 Hex (SST).....	8
3	WL-006-17	Lockwasher 1/4 Medium.....	8
4	00-749657	Barrier – Mylar (Relay) (3 Ph.) (LX & LXG Series).....	1
5	00-749610	Bracket – Relay Mounting (3 Ph.) (LX & LXG Series).....	1
6	00-087714-046-1	Relay 2 Pole (30 Amp.) (3 Ph.) (LX & LXG Series).....	1
7	NS-047-82	Stop Nut 1/4-20 Hex (SST) (LX30/40, LXG, LXi, & LXiG Series).....	2
8	00-475136	Bracket – Pressure Gauge (LX30/40, LXG, LXi, & LXiG Series).....	1
9	00-918430	Bracket – Pressure Gauge (LXi & LXiG Series).....	1
10	00-328569	Plate – Window (LX30/40, LXG, LXi, & LXiG Series).....	1
11	00-918431	Cover – Base (LX30/40 & LXi Series).....	1
12	00-328600-00002	Cover – Base (LX18 Series).....	1
13	00-918432	Cover – Base (LXG & LXiG Series).....	1
14	SC-122-54	Mach. Screw 10-24 x 3/4 Phil. Truss Hd.	AR
15	00-329267	Retainer – Screw #10.....	AR
16	00-475060	Hose 1/4 x 12 Pressure Gauge to Fill Valve.....	1
17	00-528501	Clamp – Hose #4.....	1
18	FP-088-30	Fitting – Hose Barb (LX30/40, LXG, & LXi Series).....	1
19	00-918429	Gauge – Water Pressure (LX30/40, LXG, LXi, & LXiG Series).....	1
20	00-528501	Clamp – Hose #4.....	1
21	FP-088-29	Fitting – Hose 1/4 Barb x 1/8-27 NPTM.....	1
22	SC-018-24	Mach. Screw 6-32 x 3/4 Phil. Pan Hd.....	2
23	00-918385	Block – Terminal (5 Pole) (Current Construction).....	1
24	00-918339	Bracket – Terminal Block (Current Construction).....	1
25	NS-031-50	Stop Nut 6-32 Hex (SST).....	2
26	NS-031-16	Stop Nut 10-24 Hex Elastic (SST).....	2
27	00-475299-00001	Connector Assy. (Previous Construction).....	1
28	00-473138	Bracket – Terminal Block (Previous Construction).....	1
29	00-241857	Foot – Leveling.....	4
30	00-329284	Spacer – Leveling Foot (LX18 Series).....	4
31	WS-023-03	Washer (SST).....	2
32	00-473137	Pad – Skid Assy. (LX30/40, LXG, & LXi Series).....	4
33	00-294855-00001	Cap – Skid Retaining (LX30/40, LXG, LXi, & LXiG Series).....	8
34	00-328642	Base (LXi, LXiG, & LXG Series).....	1
35	00-328642-00002	Base (LX Series).....	1
36	00-328635	Track Assy. (LH).....	1
	SC-041-55	Cap Screw 9/16-18 x 3/4 Hex Hd. (SST).....	4

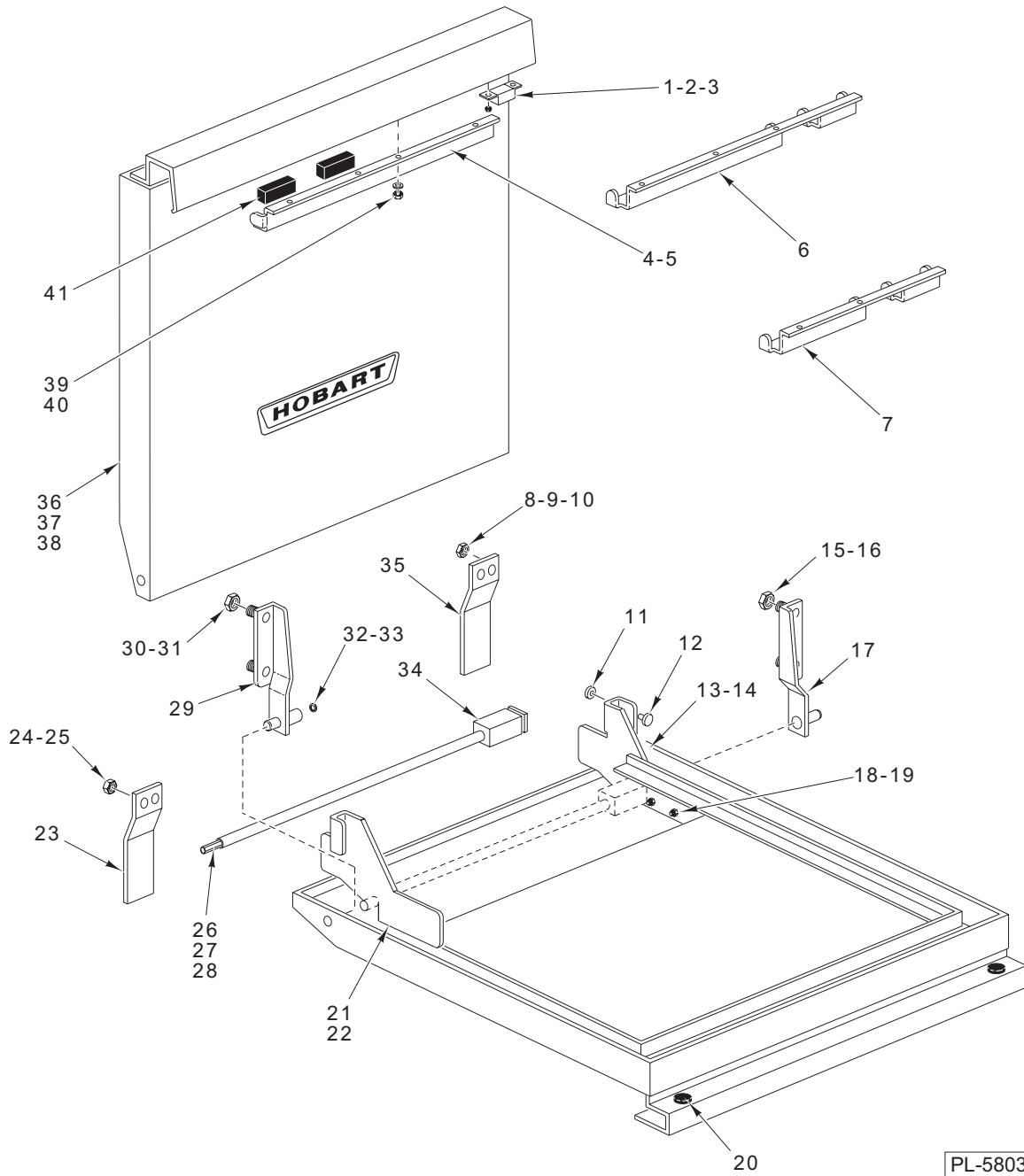


TANK ASSEMBLY

ILLUS.	PART NO.	NAME OF PART	AMT.
1	00-329286	Kit – Top Cover Trim Assy. (LX Series).....	1
2	00-070641-00004	Thumb Screw 1/4-20 (LX & LXG Series)	2
3	00-557654	Gasket (21 1/4) (LX & LXG Series)	1
4	WL-006-17	Lockwasher 1/4 Medium (LX & LXG Series).....	4
5	NS-015-01	Nut 1/4-20 Hex (SST) (LX & LXG Series)	4
6	00-328571-00001	Cover – Top Weldment (LX & LXG Series).....	1
7	00-329286	Kit – Top Cover Trim Assy. (LXi & LXiG Series).....	1

TANK ASSEMBLY (CONT.)

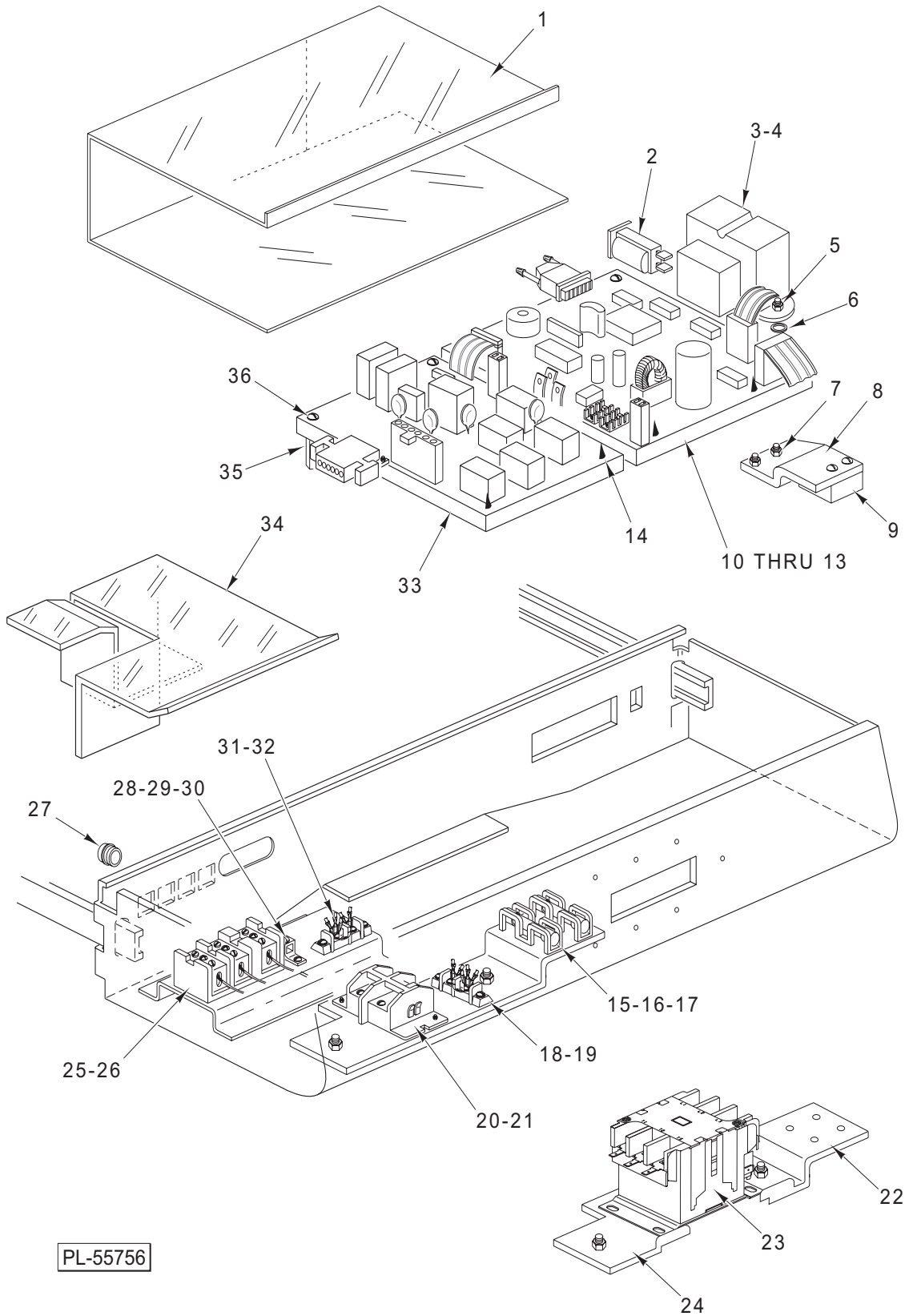
ILLUS.	PART NO.	NAME OF PART	AMT.
	PL-57985		
8	00-892595	Cover – Top Weldment (LXi & LXiG Series)	1
9	00-514410	Molding – Rubber (LXi & LXiG Series)	AR
10	00-329246	Grommet – Chemical Box (LX40 Series).....	3
11	00-329247	Cap – Chemical Box (LX40, LXi, & LXiG Series)	2
12	FE-025-03	Bushing – Electrical Str. (LX40 Series).....	1
13	FE-026-22	Bushing – Electrical Snap (LXi & LXiGC Series)	6
14	SD-033-14	Self-Tapping Screw 4-20 x 1/4 Phil. Pan Hd. (LX40 Series)	4
15	00-329086	Board – Chemical Sensor Assy. (LX40 Series)	1
16	00-329837	Box Assy. – Chemical Sensor (LX40 Series).....	1
17	NS-031-08	Stop Nut 8-32 Special (LX40 Series).....	4
18	00-329206	Gasket – Chemical Sensor Box (LX40 Series).....	2
19	00-892803	Bracket – Chemical Sensor (LXiC & LXiGC).....	1
20	00-892715	Board – Chemical Sensor (LXiC & LXiGC).....	1
21	00-329056-00001	Standoff	4
22	00-474465	Seal – Labyrinth.....	1
23	00-474466	Bracket – Labyrinth Seal.....	1
24	00-328678	Clamp – Tie.....	3
25	00-473078	Retainer – Magnet Tank (Double) (Used Before Serial Number 23-1086-915)	1
26	00-918335	Retainer – Magnet Tank (Single) (Used On or After Serial Number 23-1086-915).....	1
27	WS-017-06	Washer.....	2
28	WL-006-17	Lockwasher 1/4 Medium	2
29	NS-015-01	Nut 1/4-20 Hex (SST).....	2
30	00-329224	Magnet – Door (Ceramic)	4
31	00-329274	Tank Probe & Wire Assy.	1
32	00-293014	Gasket	1
33	00-116198-00003	Nut – Probe.....	1
34	00-918228	Deflector – Water (Not Shown).....	1
35	00-328605-00001	Element – Sump Heater (208 V., 1500 W.) (LX30/40 & LXG Series)	1
36	00-328605-00002	Element – Sump Heater (240 V., 1500 W.) (LX30/40 & LXG Series)	1
37	00-328605-00003	Element – Sump Heater (120 V., 1500 W.) (LX30, LX30C, LX40C, LXGC, LXiC, & LXiGC Series)	1
38	00-328605-00004	Element – Sump Heater (480 V.) (3 Ph.).....	1
39	00-892725-00001	Element – Sump Heater (208-240 V., 1500-1997 W.) (LXi & LXiG Series)	1
40	00-067500-00007	O-Ring (LX30/40, LXG, LXi, & LXiG Series).....	2
41	00-328980-00001	Control – Temperature Limiting (LX18H, LX30/40, LXG, LXi, & LXiG Series).....	1
42	NS-031-50	Stop Nut 6-32 Hex (SST).....	2
43	00-289364-00003	Spacer (LX18H, LX30/40, & LXG Series).....	2
44	00-749400	Bracket – Overtemp Mounting	1
45	00-328994	Sensor – Probe	AR
46	00-329275	Probe – Sump Level	1
47	00-328614	Cover – Motor	1
48	00-119244	Cap & Stud Assy. (LX30/40 Series)	1
49	00-067500-00031	O-Ring (LX30/40 Series)	1
50	00-329242	Retainer – Cap (LX30/40 Series).....	1
51	WL-006-17	Lockwasher 1/4 Medium (LX30/40 Series)	1
52	NS-015-01	Nut 1/4-20 Hex (SST) (LX30/40 Series).....	1
53	NS-015-01	Nut 1/4-20 Hex (SST).....	2
54	WL-006-17	Lockwasher 1/4 Medium	2
55	FE-006-46	Clamp – Electric.....	1
56	FE-006-46	Clamp – Electric.....	1
57	SC-122-54	Mach. Screw 10-24 x 1/4 Phil. Truss Hd.	2
58	00-328623	Wireway (LX & LXi Series)	1
59	00-474160	Wireway (LXG & LXiG Series).....	1
60	WL-006-17	Lockwasher 1/4 Medium	3
61	NS-015-01	Nut 1/4-20 Hex (SST).....	3
62	00-328613	Cover – Service	1
63	00-532395	Tape – Filament	1
64	NS-015-01	Nut 1/4-20 Hex (SST).....	4
65	WL-006-17	Lockwasher 1/4 Medium	4
	00-473318-00002	Barrier – Sump Heater (Mylar).....	1
	00-294677-00004	Clamp – Wire (Use With Chemical Sensor Harness)	5
	00-526454-00002	Tape – Foam.....	AR
	00-113703	Tie – Cable (Use With Water Deflector).....	1
	00-270902	Tubing – Rubber	1



DOOR ASSEMBLY

DOOR ASSEMBLY

ILLUS.	PART NO.	NAME OF PART	AMT.
PL-58031			
1	NS-031-50	Stop Nut 6-32 Hex (SST) (LX & LXG Series)	2
2	00-328609	Retainer – Magnet (LX & LXG Series).....	1
3	00-436091	Magnet – Door Cycle Switch	1
4	00-473340	Retainer – Magnet Door (LX & LXG Series).....	1
5	00-542857	Tape – Foam (18 In.)	2
6	00-892600	Retainer – Magnet Door (LXi & LXiG Series) (Used Before Serial Number 23-1086-915)	1
7	00-918334	Retainer – Magnet Door (LXi & LXiG Series) (Used On or After Serial Number 23-1086-915).....	1
8	NS-015-01	Nut 1/4-20 Hex (SST).....	1
9	WS-023-24	Washer.....	3
10	WL-006-17	Lockwasher 1/4 Medium	1
11	00-474117	Receiver – Push-On	2
12	00-474116	Bumper – Door Stop	2
13	00-328987	Brace – Door (RH) (LX & LXI Series)	1
14	00-474885-00001	Brace – Door (RH) (LXG & LXiG Series).....	1
15	NS-015-01	Nut 1/4-20 Hex (SST).....	2
16	WL-006-17	Lockwasher 1/4 Medium	2
17	00-473115-00001	Hinge – Door (RH)	1
18	NS-015-01	Nut 1/4-20 Hex (SST).....	4
19	WL-006-17	Lockwasher 1/4 Medium	4
20	00-473466	Button – Door Handle	2
21	00-328597	Brace – Door (LH) (LX & LXI Series).....	1
22	00-474884-00001	Brace – Door (LH) (LXG & LXiG Series)	1
23	00-329070	Guard – Splash	1
24	NS-015-01	Nut 1/4-20 Hex (SST).....	1
25	WL-006-17	Lockwasher 1/4 Medium	1
26	00-329007	Bar – Torsion.....	1
27	00-329006	Tube – Torsion Bar.....	1
28	00-329008	Bushing – Torsion Bar (RH).....	1
29	00-328570	Hinge – Door (LH).....	1
30	NS-015-01	Nut 1/4-20 Hex (SST).....	2
31	WL-006-17	Lockwasher 1/4 Medium	2
32	OR-001-06	O-Ring	2
33	RR-011-60	Ring – Retaining (LXi, LXiC, & LXiG Series)	2
34	00-329310	Torsion Bar Assy	1
35	00-329070	Guard – Splash.....	1
36	00-892701-00001	Door – Weldment (LXi Series).....	1
37	00-913027-00001	Door – Weldment (LX Series).....	1
38	00-892701-00002	Door – Weldment (LXiG Series)	1
39	NS-031-16	Stop Nut 10-24 Hex Elastic (SST)	AR
40	WS-023-34	Washer.....	AR
41	00-329224	Magnet – Door (Ceramic)	AR

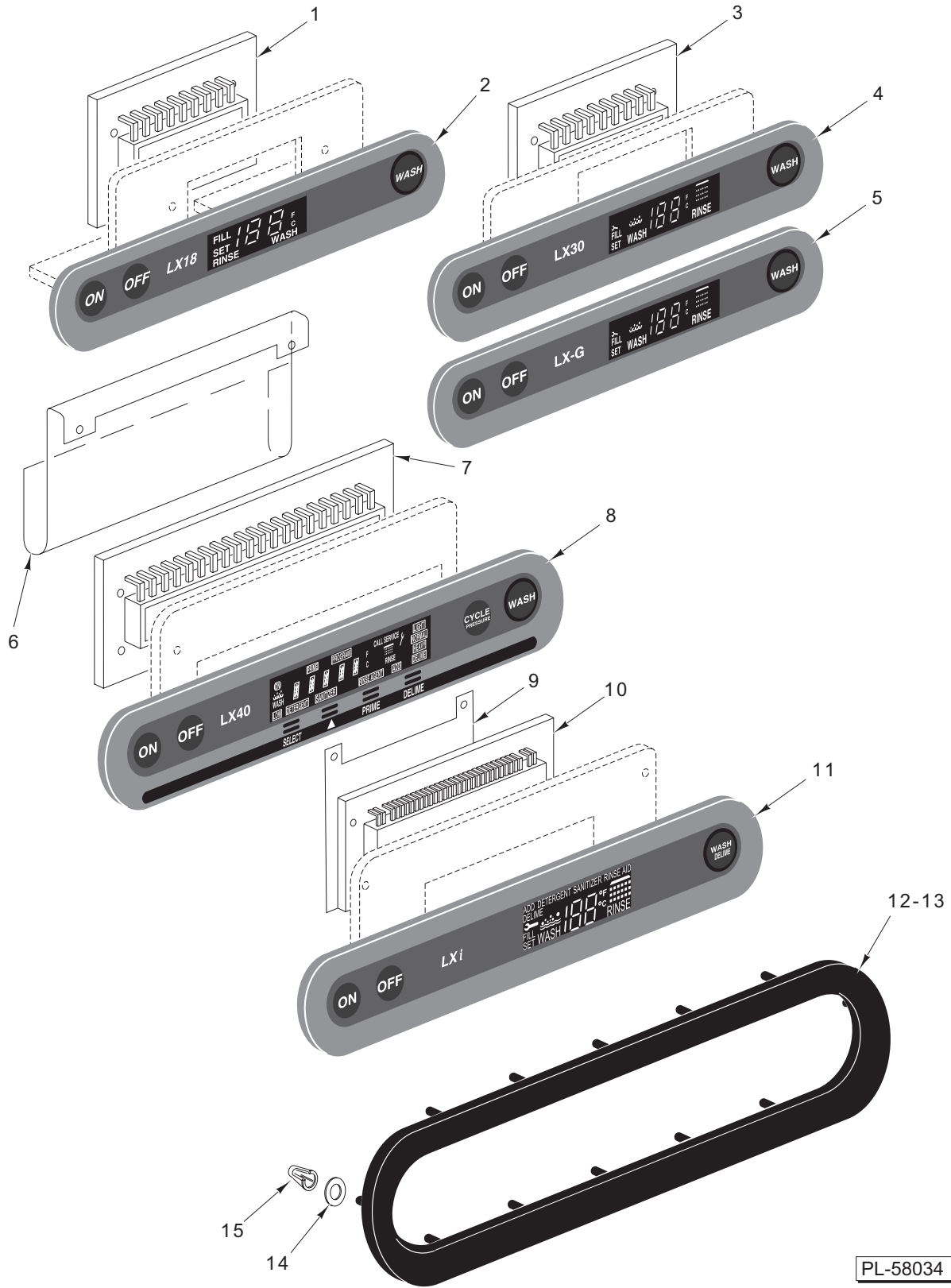


**ELECTRICAL COMPONENTS
(LX SERIES)**

ELECTRICAL COMPONENTS (LX SERIES)

ILLUS. PL-55756	PART NO.	NAME OF PART	AMT.
1	00-329079	Barrier – Board (Mylar)	1
2	00-328981-00001	Breaker – Circuit (5 Amp.)	1
3	00-294500-025-1	Transformer (45 VA, 50/60 Hz.)	1
4	00-328971-00001	Transformer Harness Assy.	1
5	NS-031-08	Stop Nut 8-32 Special	2
6	WS-017-06	Washer	2
7	NS-031-08	Stop Nut 8-32 Special	2
8	00-329065	Bracket – Reed Switch Mounting (Incls. Locating Screws)	1
9	00-473109	Reed Switch Assy.	1
10	00-328670	Board – Control (LX40 Series)	1
11	00-473173	Board – Control (LX18/30 Series)	1
12	00-473173-00002	Board – Control (LXG Series)	1
13	00-473173-00003	Board – Control (LX30C W/Booster)	1
14	00-329056-00001	Standoff – Dual Locking	4
15	00-294436-00003	Block – Fuse	2
16	FE-021-19	Fuse (3.2 Amp., 250 V.)	2
17	SC-021-08	Mach. Screw 6-32 x 3/8 Rd. Hd. (SST)	2
18	00-294325-016-1	Block – Terminal	1
19	SC-080-12	Mach. Screw 10-24 x 5/8 Fil. Hd. (SST)	2
20	00-087713-085-1	Contact – Double Pole (50/60 Hz.) (LXH & LXGH)	1
21	NS-031-08	Stop Nut 8-32 Special	2
22	00-749728	Bracket – Contactor (Short) (3 Ph.)	1
23	00-087713-104-1	Contact – 3 Pole (30 amp.) (3 Ph.)	1
24	00-749727	Bracket – Contactor (Long) (3 Ph.)	1
25	00-294325-015-1	Block – Terminal	1
26	SC-112-39	Mach. Screw 8-32 x 3/4 Rd. Hd. (SST)	2
27	FE-019-43	Strain Relief (All H Series)	AR
28	00-118544-00002	Lug – Grounding	1
29	SC-093-23	Mach. Screw 10-32 x 3/8 Phil. Pan Hd. (SST)	2
30	WL-014-07	Lockwasher #10 External Shakeproof (SST)	2
31	00-294325-016-1	Block – Terminal	1
32	SC-080-12	Mach. Screw 10-24 x 5/8 Fil. Hd. (SST)	2
33	00-328721-00006	Board – Relay	1
34	00-329080	Barrier – Power (Mylar)	1
35	00-474281	Standoff (Male/Female Hex)	4
36	SC-021-08	Mach. Screw 6-32 x 3/8 Rd. Hd. (SST)	4
	00-328967-00001	Harness – Booster (Contactor to Booster) (LXH & LXGH Series)	1
	00-748922-00001	Harness – Booster (Contactor to Booster) (LXH & LXGH Series)	1
	00-328969-00001	Harness – Sensor (Cntl. Bd. to Sensors) (LX18H, LX30, & LXG Series)	1
	00-328970-00001	Harness – Sensor (Cntl. Bd. to Sensors) (LX18 & LX18C)	1
	00-474929-00001	Harness – Sensor (Cntl. Bd. to Sensors) (LX40 Series)	1
	00-473221-00001	Harness – Standard (Relay Board to Base Components)	1
	00-475300-00001	Harness – Chemical Pump (Prom Relay Board to Terminal Block in Base)	1
	00-749497-00001	Harness – Booster (3 Ph.)	1
	00-749135-00001	Harness – Sump Heater (3 Ph.)	1
	00-749551-00001	Harness – LX Standard (3 Ph.)	1
	00-087714-046-1	Relay (2 Pole) (30 Amp.)	1
	00-087713-040-2	Contact – 3 Pole (30 Amp.)	1
	00-749610	Bracket – Relay Mounting	1
	00-749468	Bracket – Contactor-Mounting	1
	00-329787	Nut 10-24 Weld	2
	00-474673	Support – Harness	1
	00-065890-00029	Connector – Insulated	1

LX AND LXi SERIES DISHWASHER REPLACEMENT PARTS

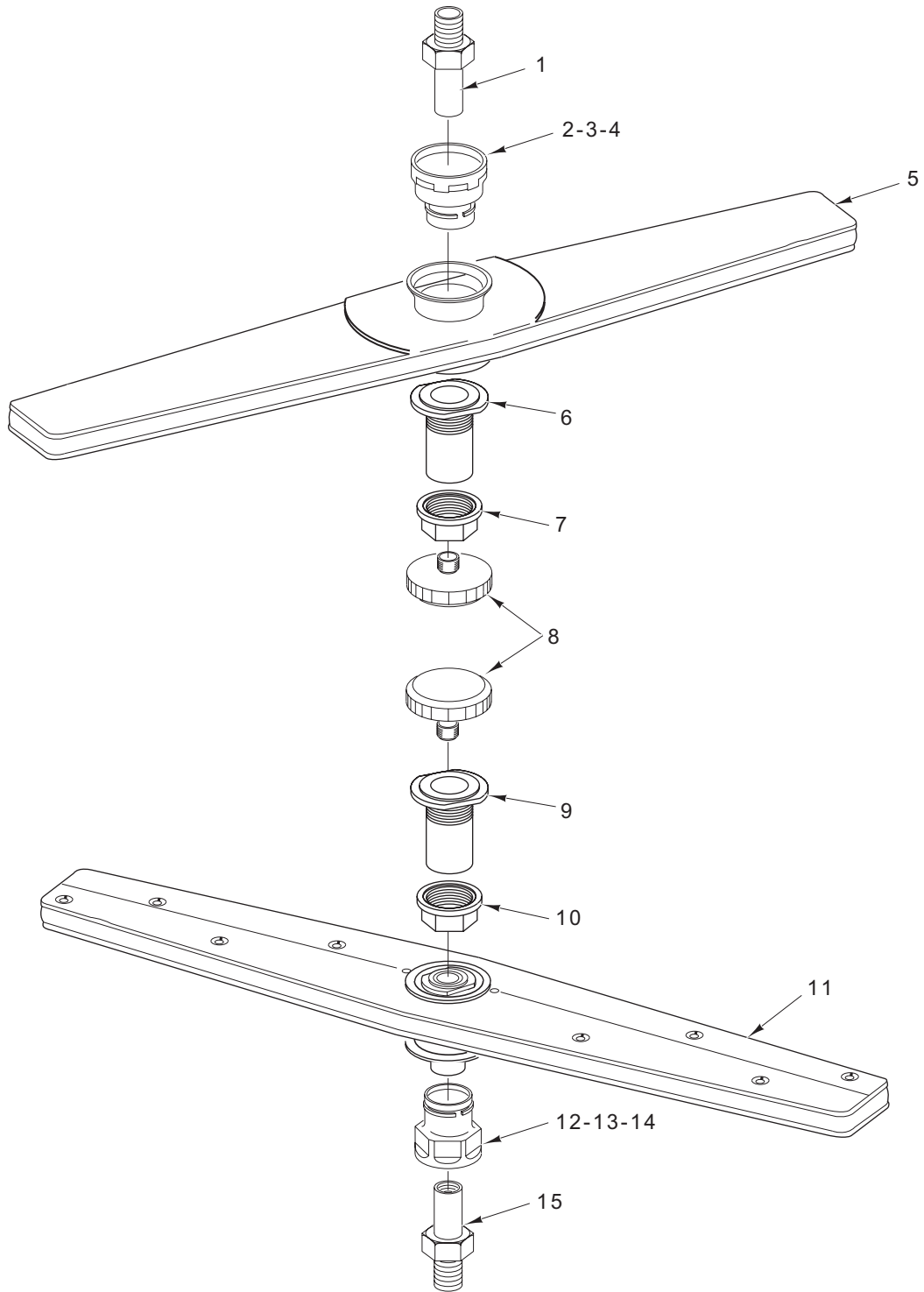


DISPLAY

PL-58034

DISPLAY

ILLUS.	PART NO.	NME OF PART	AMT.
PL-58034			
1	00-329062	Display Module (LX18 Series).....	1
2	00-328741	Switch – Keypad Membrane (LX18 Series).....	1
3	00-329063	Display Module (LX30 Series & LXG Series).....	1
4	00-328739	Switch – Keypad Membrane (LX30 Series).....	1
5	00-474170	Switch – Keypad Membrane (LXG Series).....	1
6	00-329207	Barrier – Display Board (Mylar) (LX40 Series).....	1
7	00-329054	Display Module (LX40 Series).....	1
8	00-474923	Switch – Keypad Membrane (LX Series).....	1
9	00-892947	Barrier – Display Board (Mylar) (LXi Series).....	1
10	00-892458	Display Module (LXi & LXiG Series).....	1
11	00-892473	Switch – Keypad Membrane (LXi & LXiG Series).....	1
12	00-328622	Bezel – Display (LX18/30, LXG, & LXi Series).....	1
13	00-328620	Bezel – Display (LX40 Series).....	1
14	00-329037	Ring – Gasket.....	AR
15	00-328993	Stud – Receiver.....	AR
	00-329205-00001	Harness – Display (LX40 Series).....	1

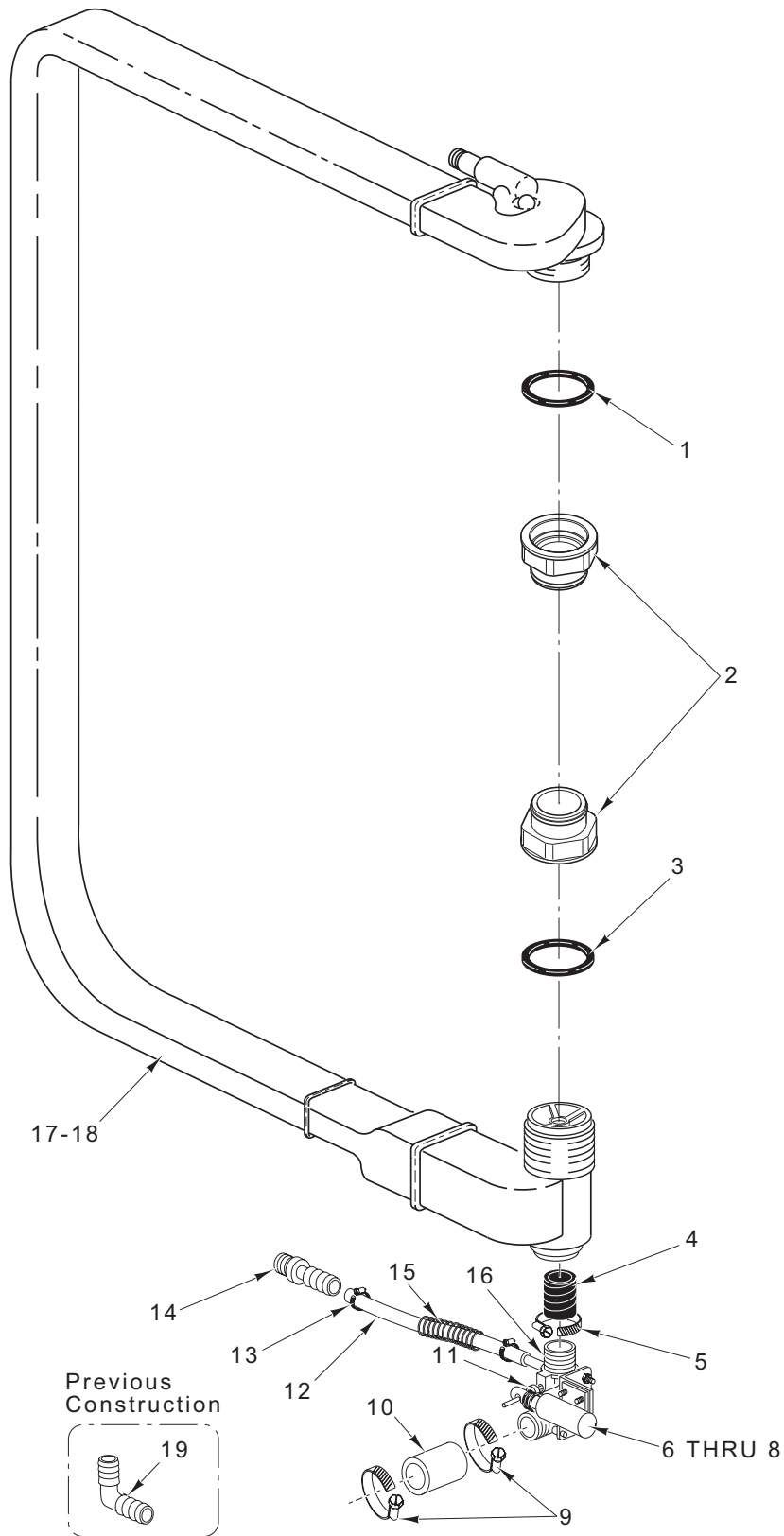


PL-56646

**WASH ARM ASSEMBLY
(LX18 SERIES)**

**WASH ARM ASSEMBLY
(LX18 SERIES)**

ILLUS. PL-56646	PART NO.	NAME OF PART	AMT.
1	00-473095	Shaft – Wash Arm	1
2	00-329308	Nut – Wash Arm (Incls. Item 4)	1
3	00-893495	Nut – Wash Arm Assy. (Incls. Item 4)	1
4	00-436106	Ring	1
5	00-892101	Wash Arm Assy. (Plugless) (Incls. Items 6 & 7)	1
6	00-328610	Guide – Wash Arm	1
7	00-436109	Nut – Wash Arm	1
8	00-329010	Screw – Wash Arm Retaining	2
9	00-328610	Guide – Wash Arm	1
10	00-436109	Nut – Wash Arm	1
11	00-892101	Wash Arm Assy. (Plugless) (Incls. Items 9 & 10)	1
12	00-329308	Nut – Wash Arm (Incls. Item 14)	1
13	00-893495	Nut – Wash Arm Assy. (Incls. Item 14)	1
14	00-436106	Ring	1
15	00-473095	Shaft – Wash Arm	1

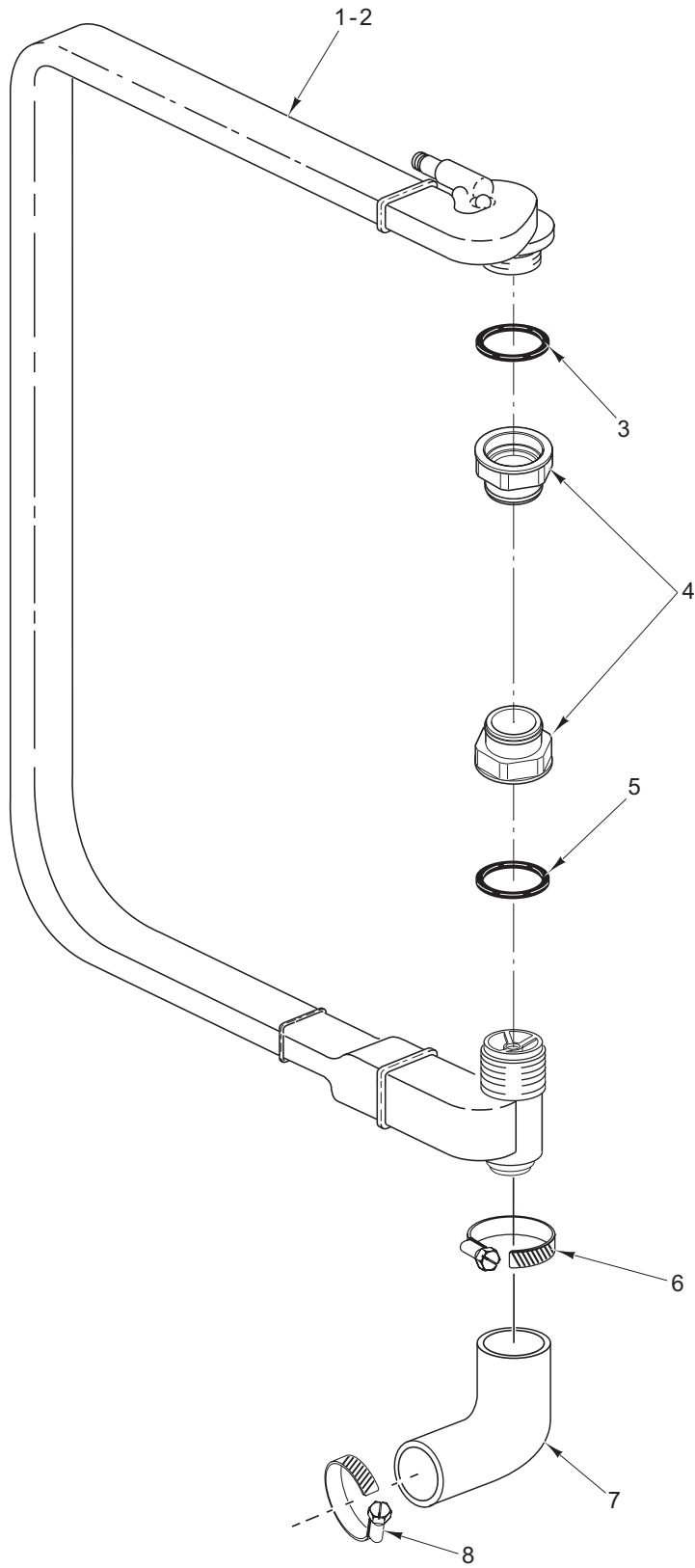


PL-58030

**WASH PIPE ASSEMBLY
(PREVIOUS CONSTRUCTION)**

**WASH PIPE ASSEMBLY
(PREVIOUS CONSTRUCTION)**

ILLUS.	PART NO.	NAME OF PART	AMT.
PL-58030			
1	00-328998	Gasket – Wash Arm Support	1
2	00-893495	Nut – Wash Arm Assy.	2
3	00-328998	Gasket – Wash Arm Support	1
4	00-328641	Hose – Outlet Drain Valve	1
5	00-534651	Clamp – Hose #32	1
6	00-473011	Solenoid –Ledex	1
7	00-067500-00007	O-Ring	1
8	00-473010	Bracket – Solenoid.....	1
9	00-538412	Clamp – Hose #24	2
10	00-328607	Hose – Pump Outlet	1
11	00-473009	Bushing – Valve Rod	1
12	00-292856-00002	Hose – Drain.....	1
13	00-528499	Clamp – Hose #10	2
14	00-186527	Adapter – Hose.....	1
15	00-476664-00001	Spring – Drain Hose	1
16	00-329241	Drain Body Valve Assy.	1
17	00-893457	Pipe – Wash Assy. (LX & LXi Series).....	1
18	00-893458	Pipe – Wash Assy. (LXG & LSiG Series).....	1
19	00-473144	Elbow – Union (Previous Construction).....	1
	00-113703	Tie – Cable.....	1

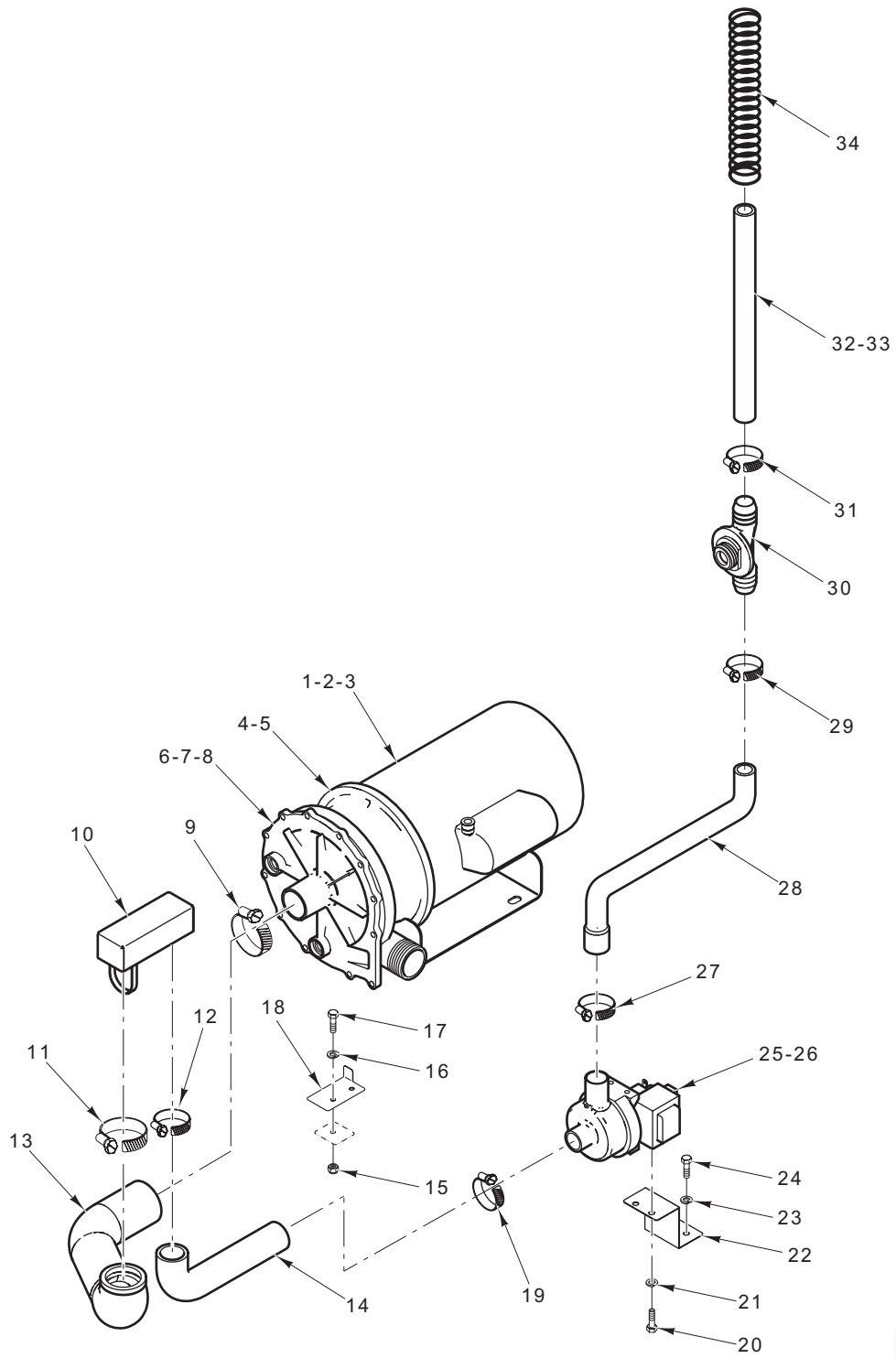


PL-58037

**WASH PIPE ASSEMBLY
(CURRENT CONSTRUCTION)**

**WASH PIPE ASSEMBLY
(CURRENT CONSTRUCTION)**

ILLUS. PL-58037	PART NO.	NAME OF PART	AMT.
1	00-893457	Pipe – Wash Assy. (LX & LXi Series).....	1
2	00-893458	Pipe – Wash Assy. (LXG & LXiG Series).....	1
3	00-328998	Gasket – Wash Arm Support	1
4	00-893495	Nut – Wash Arm Assy.	1
5	00-328998	Gasket – Wash Arm Support	1
6	00-538412	Clamp – Hose	1
7	00-918110	Hose – Pump To Manifold.....	1
8	00-538412	Clamp – Hose	1



PL-58044

PUMP AND MOTOR ASSEMBLY

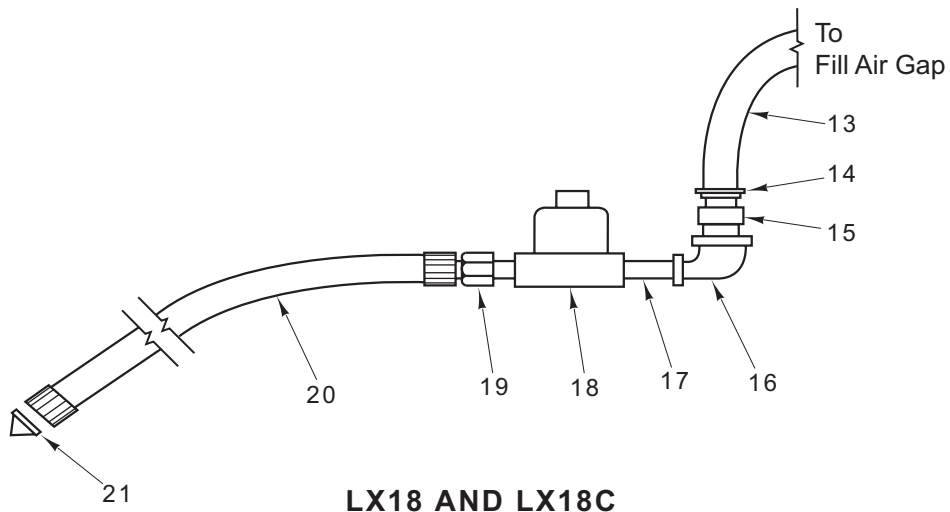
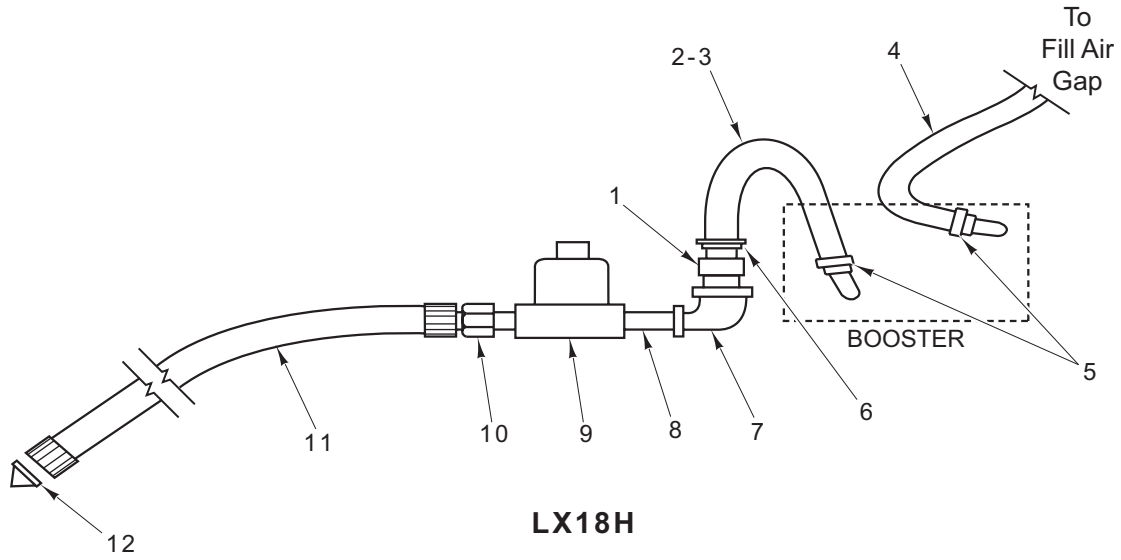
PUMP AND MOTOR ASSEMBLY

ILLUS.	PART NO.	NAME OF PART	AMT.
	PL-58044		
1	00-329240-00001	Motor – Pump LX (60 Hz.) (Ingersoll).....	1
2	00-329240-00008	Motor – Pump LX (50 Hz.) (Ingersoll).....	1
3	00-476734-00001	Pump Motor Kit LX (50/60 Hz.) (Crane) (Incls. Motor, Casing/Cover Screws, & O-Ring).....	1
4	00-329240-00002	Support – Head (Pump Rear) (Ingersoll).....	1
5	00-476734-00002	Pump Casing Kit (Crane) (Incls. Casing, Screws, & O-Ring).....	1
6	00-329240-00003	Casing (Pump Front) (Ingersoll).....	1
7	00-329240-00014	Casing – O-Ring (Ingersoll).....	1
8	00-476734-00003	Pump Cover Kit (Crane) (Incls. Cover, Screws, & O-Ring).....	1
9	00-538412	Clamp – Hose #24.....	1
*10	00-918115-00001	Strainer – Sump Tube.....	1
11	00-538412	Clamp – Hose #24.....	1
*12	00-557627	Clamp – Hose.....	1
13	00-328606	Hose – Pump Inlet.....	1
*14	00-918135	Hose – Drain Pump Inlet.....	1
15	NS-031-16	Stop Nut 10-24 Hex(SST).....	2
16	WL-006-17	Lockwasher (SST).....	2
17	SC-041-86	Cap Screw 1/4-20 x 3/8 Hex Hd. (SST).....	2
18	00-328626	Bracket.....	1
19	00-557627	Clamp – Hose.....	1
20	SC-118-58	Cap Screw M6 x 1 x 12 mm Hex Hd.....	2
21	WL-006-17	Lockwasher 1/4 Helical.....	2
*22	00-918146	Bracket – Pump.....	1
23	WL-006-17	Lockwasher 1/4 Helical.....	2
24	SC-041-86	Cap Screw 1/4-20 x 3/8 Hex Hd.....	2
*25	00-918203	Pump – Drain (60 Hz.).....	1
*26	00-918273	Pump – Drain (50 Hz.).....	1
27	00-557627	Clamp – Hose.....	1
*28	00-918148	Hose – Drain Pump Outlet.....	1
29	00-528499	Clamp – Hose.....	1
*30	00-918217	Tee – Check Valve.....	1
31	00-528499	Clamp – Hose.....	1
32	00-292856-00002	Hose – Drain (LX Series).....	1
33	00-292856-00003	Hose – Drain (LXi Series).....	1
34	00-476664-00001	Spring.....	1
	00-474837-00001	Pump & Motor Assy. (115/230 V., 60 Hz.) (Incls. All Pump & Motor Parts).....	1
	00-474837-00002	Pump & Motor Assy. (115/230 V., 50 Hz.) (Incls. All Pump & Motor Parts).....	1
	00-749564-00001	Pump & Motor Assy. (380-400/480 V., 60 Hz., 3 Ph.).....	1
	00-329240-00004	Shaft Seal Kit (Ingersoll) (Incls. Seal, O-Ring, Casing O-Ring, & Shims).....	1
	00-476734-00004	Shaft Seal Kit (Crane) (Incls. Seal, O-Ring, Casing O-Ring, & Shims).....	1
	00-329240-00006	Plug Kit (Ingersoll) (Incls. Ryton Plug & O-Ring).....	1
	00-329240-00005	Impeller Kit – LX (60 Hz.) (Ingersoll) (Incls. Impeller, Casing O-Ring, & Hardware).....	1
	00-329240-00009	Impeller Kit – LX (50 Hz.) (Ingersoll) (Incls. Impeller, Casing O-Ring, & Hardware).....	1
	00-476734-00005	Impeller Kit – LX (60 Hz.) (Crane) (Incls. Impeller, Casing O-Ring, & Screws).....	1
	00-476734-00008	Impeller Kit – LX (50 Hz.) (Crane) (Incls. Impeller, Casing O-Ring, & Screws).....	1
	00-476734-00011	Impeller Kit (60 Hz., 3 Ph.).....	1
	00-476734-00012	Impeller Kit (50 Hz., 3 Ph.).....	1
	00-476734-00010	Pump Motor Kit (60 Hz., 3 Ph.).....	1
	00-476734-00006	Plug Kit (Crane) (Incls. Pipe Plug & O-Ring).....	1
	00-329240-00007	Shim Kit (Ingersoll) (Incls. 0.002, 0.015, & 0.025).....	1
	00-476734-00007	Shim Kit (Crane) (Incls. 0.005, 0.015, & 0.030).....	1
	00-476734-00009	Motor Shaft Flinger Kit (Crane).....	1

*Starting Serial Number 23-1085-462.

BOOSTER ASSEMBLY

ILLUS.	PART NO.	NAME OF PART	AMT.
PL-58061			
1	00-329027	Booster Tank Weldment.....	1
2	00-328980-00001	Protector – High Limit (LXH Series, LXGH, LXiH, & LXiGH).....	1
3	00-748833	Bracket.....	1
4	NS-031-16	Stop Nut Special 10-24 (SST).....	3
5	00-328980-00001	Protector – High Limit (LXH Series, LXGH, LXiH, & LXiGH).....	1
6	00-329009	Gasket – Heater Mounting (Included with Items 9 thru 18).....	1
7	SC-041-05	Cap Screw 1/4-20 x 5/8 Hex Hd.....	4
8	WL-006-17	Lockwasher 1/4 Medium.....	4
9	00-474713-00001	Element – Booster Heater (208 V., 6000 W.) (LX30/40H, LX30C, & LXGH Series).....	1
10	00-474713-00002	Element – Booster Heater (240 V., 6000 W.) (LX30/40H, LX30C, & LXGH Series).....	1
11	00-474713-00003	Element – Booster Heater (208 V., 7000 W.) (LX18H Series).....	1
12	00-474713-00004	Element – Booster Heater (240 V., 7000 W.) (LX18H Series).....	1
13	00-812349-00001	Element – Booster Heater (240/60) (3 Ph.) (LXH Series & LXGH).....	1
14	00-812349-00002	Element – Booster Heater (208/60) (3 Ph.) (LXH Series & LXGH).....	1
15	00-812349-00003	Element – Booster Heater (480/60) (3 Ph.) (LXH Series & LXGH).....	1
16	00-812349-00004	Element – Booster Heater (380-415/60) (3 Ph.) (LXH Series & LXGH).....	1
17	00-892726-00001	Element – Booster Heater (208-240 V., 4507-6000 W.) (1 Ph.) (LXi & LXiG Series).....	1
18	00-892727-00001	Element – Booster Heater (208-240 V., 5255-7000 W.) (3 Ph.) (LXiH & LXiGH).....	1
19	FP-052-20	Pipe Plug 1/8 Sq. Hd. (SST).....	1
20	00-328994	Sensor – Probe.....	1
	00-329603	Barrier – Mylar Booster.....	1
	00-294677-00004	Clamp – Wire.....	1

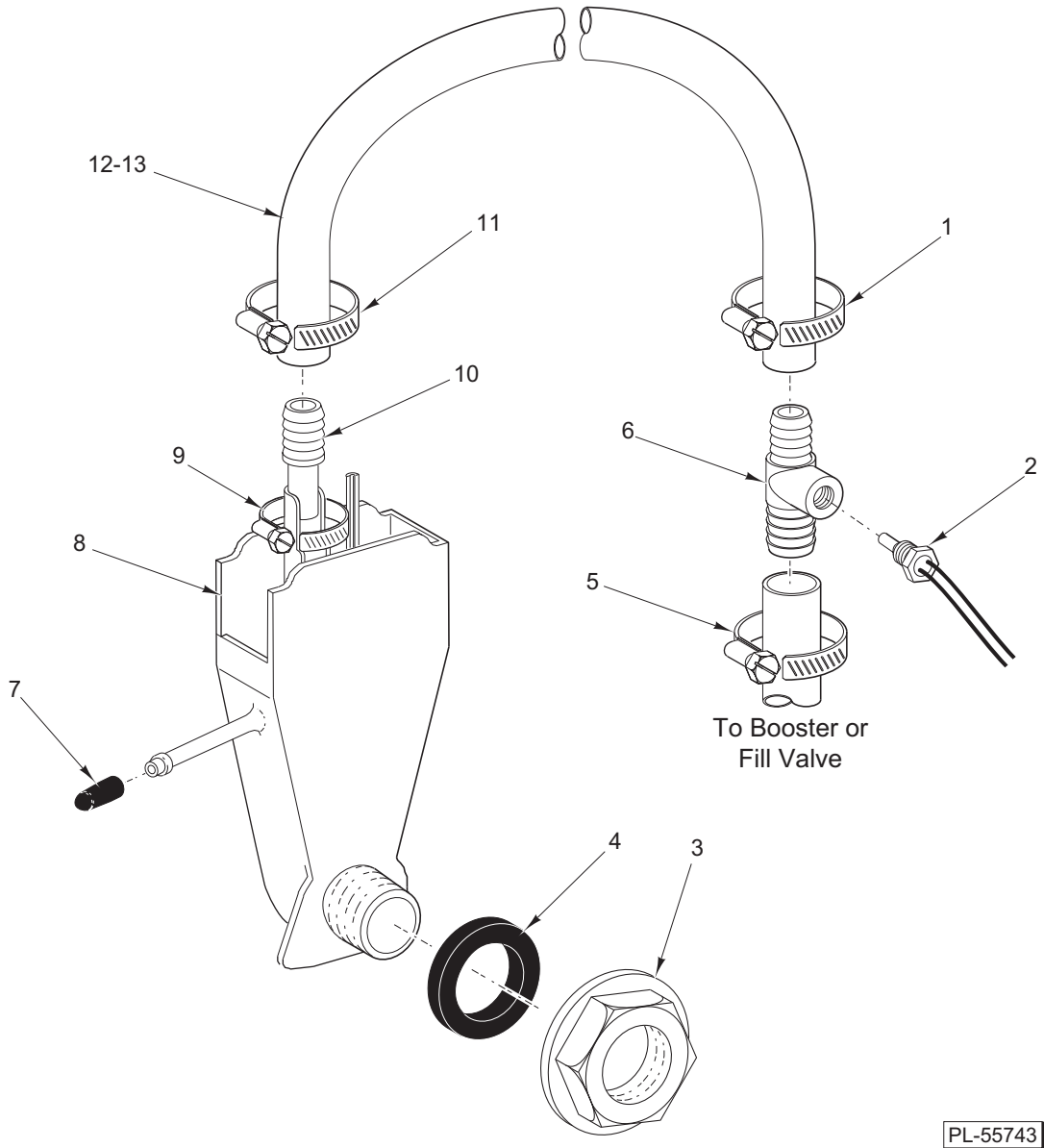


PL-55744

PLUMBING (LX18 SERIES)

PLUMBING (LX18 SERIES)

ILLUS. PL-55744	PART NO.	NAME OF PART	AMT.
1	00-473748	Fitting – Flow Restrictor $\frac{3}{4}$ MPT W/Barbed Adapter.....	1
2	00-436397-00001	Spring – $\frac{5}{8}$ Hose Support $\frac{1}{2}$ x $13\frac{1}{2}$ (Inside Item 3).....	1
3	00-329015-00006	Hose $\frac{5}{8}$ x 18 Fill Valve to Booster Inlet.....	1
4	00-892244-00003	Hose $\frac{5}{8}$ x 48 Booster to Fill Air Gap.....	1
5	00-544424	Clamp – Hose #8.....	3
6	00-544424	Clamp – Hose #8.....	1
7	FP-016-12	Elbow – Reducing $\frac{3}{4}$ to $\frac{1}{2}$	1
8	FP-040-45	Pipe $\frac{1}{2}$ x $1\frac{1}{2}$ Lg. TBE.....	1
9	00-329972-00001	Valve – Solenoid $\frac{1}{2}$ (110-120 V.).....	1
10	FP-081-15	Fitting – Hose $\frac{5}{8}$ x $\frac{3}{4}$ Hose Male to $\frac{1}{2}$ MPT.....	1
11	00-293408	Hose – Fill Assy.	1
12	00-292787	Filter – Fill Hose Assy.	1
13	00-892244-00004	Hose $\frac{5}{8}$ x 31 Fill Valve to Fill Air Gap.....	1
14	00-544424	Clamp – Hose #8.....	1
15	00-473748	Fitting – Flow Restrictor $\frac{3}{4}$ MPT W/Barbed Adapter.....	1
16	FP-016-12	Elbow – Reducing $\frac{3}{4}$ to $\frac{1}{2}$	1
17	FP-040-45	Pipe $\frac{1}{2}$ x $1\frac{1}{2}$ Lg. TBE.....	1
18	00-329972-00001	Valve – Solenoid $\frac{1}{2}$ (110-120 V.).....	1
19	FP-081-15	Fitting – Hose $\frac{5}{8}$ x $\frac{3}{4}$ Hose Male to $\frac{1}{2}$ MPT.....	1
20	00-293408	Hose – Fill Assy.	1
21	00-292787	Filter – Fill Hose Assy.	1
	00-271837	Service Kit – $\frac{1}{2}$ Solenoid Valve.....	1
	00-270380	Coil – Solenoid Valve (115 V.) (Jackes – Evans).....	1

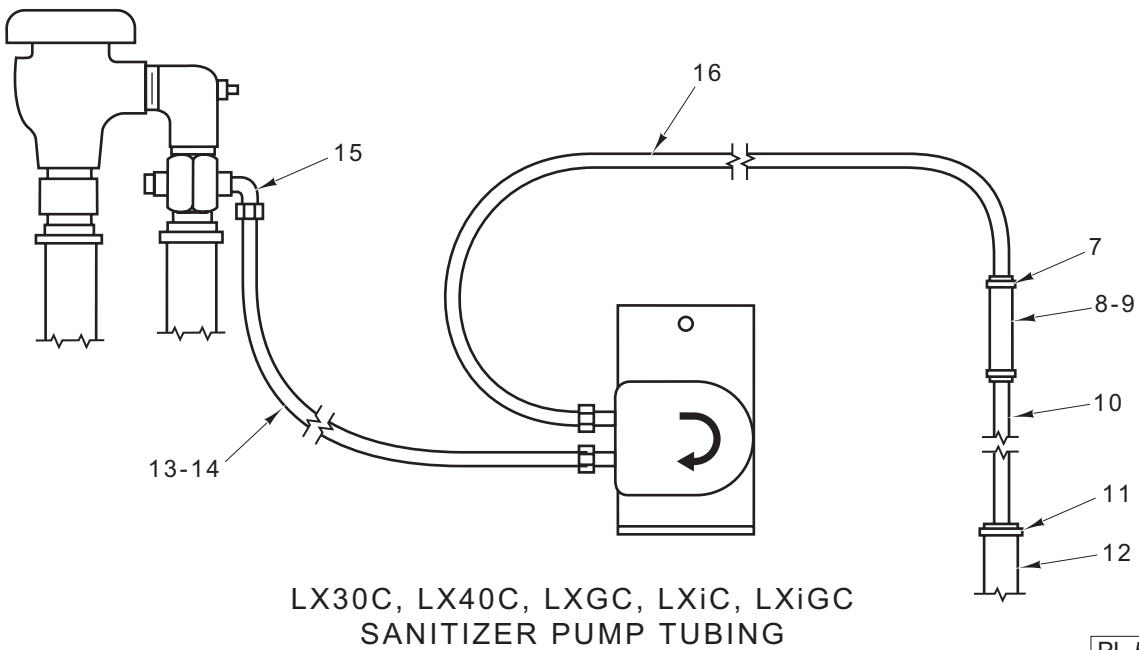
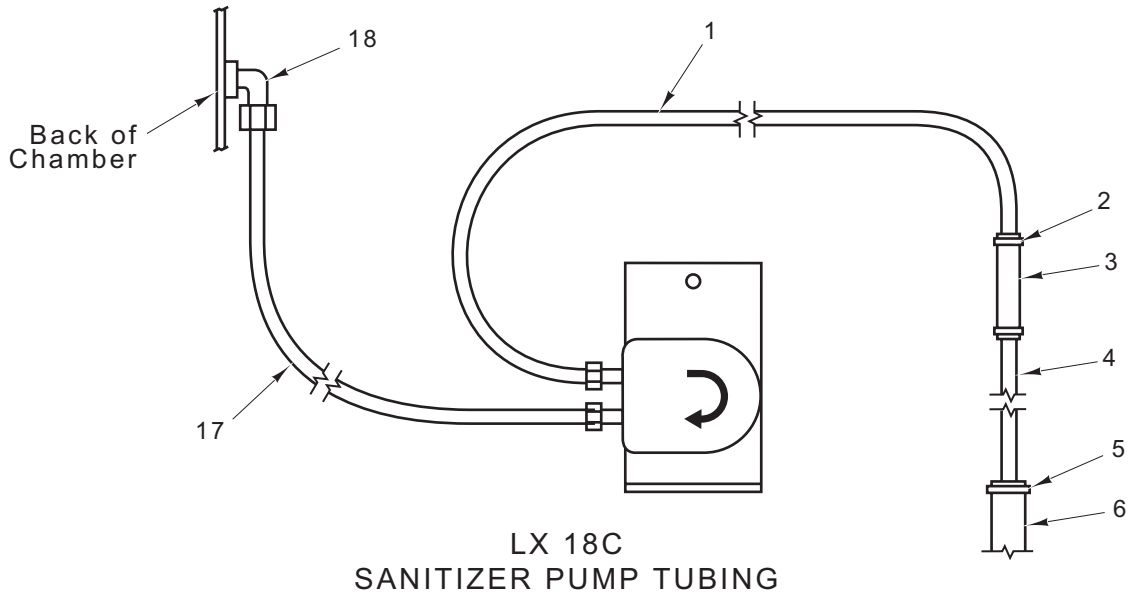


PL-55743

FILL AIR GAP (LX18 SERIES)

FILL AIR GAP (LX18 SERIES)

ILLUS.	PART NO.	NAME OF PART	AMT.
PL-55743			
1	00-544424	Clamp – Hose #8	1
2	00-328994	Sensor – Probe	1
3	00-116198-00003	Nut – Fill Air Gap	1
4	00-293014	Gasket – Fill Air Gap	1
5	00-544424	Clamp – Hose #8	1
6	00-473107	Union – Barbed	1
7	00-292621	Cap – Vinyl	1
8	00-292458	Air Gap – Fill	1
9	00-528501	Clamp – Hose #4	1
10	00-473036	Connector – Barbed	1
11	00-544424	Clamp – Hose #8	1
12	00-436397-00002	Spring – 1/2 Hose Support 7/16 x 10 1/2 (Inside Item 13)	1
13	00-329017-00002	Hose 1/2 x 13 Barbed Union to Fill Air Gap	1

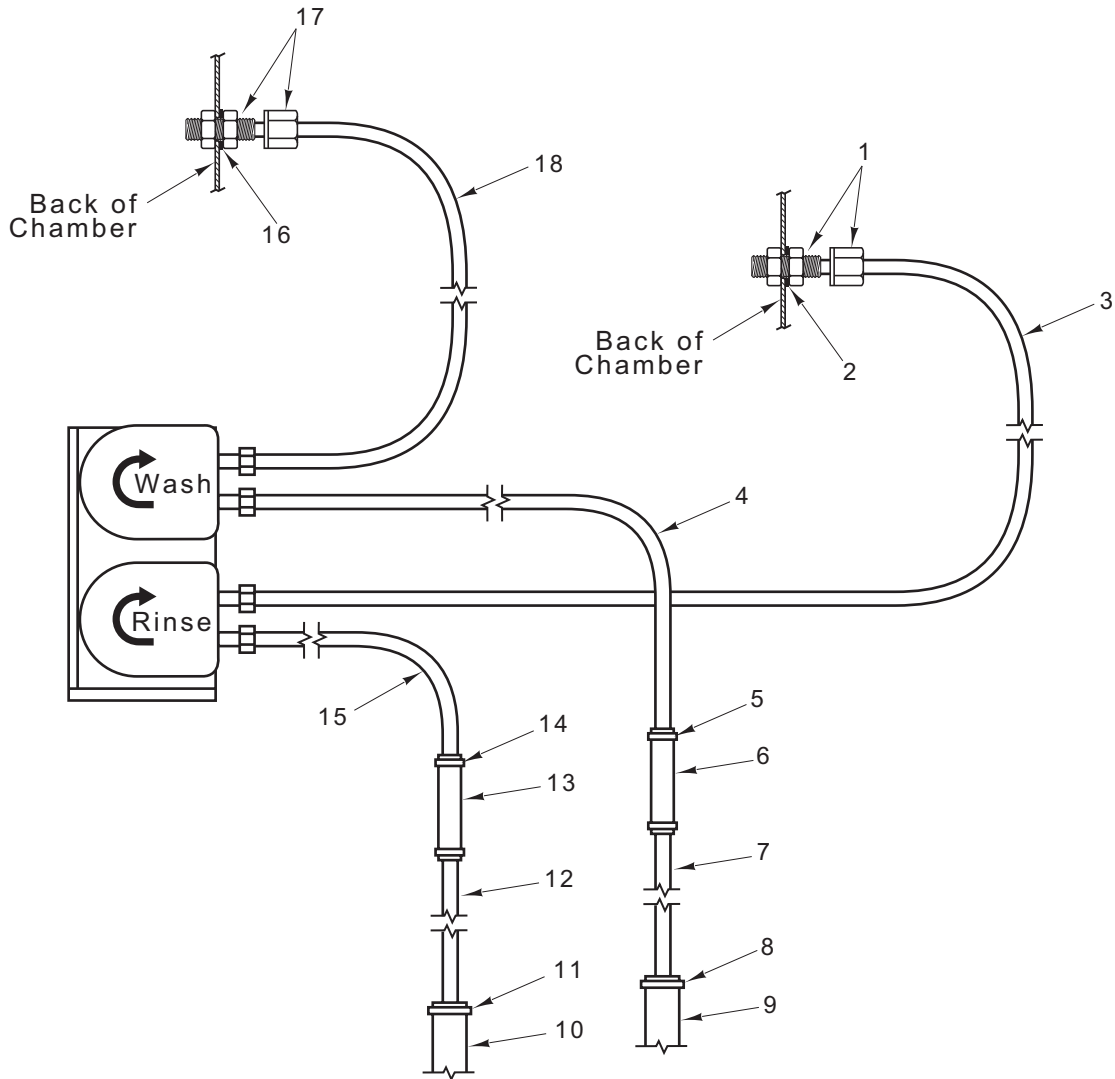


PL-57997

**SANITIZER PUMP TUBING
(LXC, LXGC, LXiC, & LXiGC SERIES)**

**SANITIZER PUMP TUBING
(LXC, LXGC, LXiC, & LXiGC SERIES)**

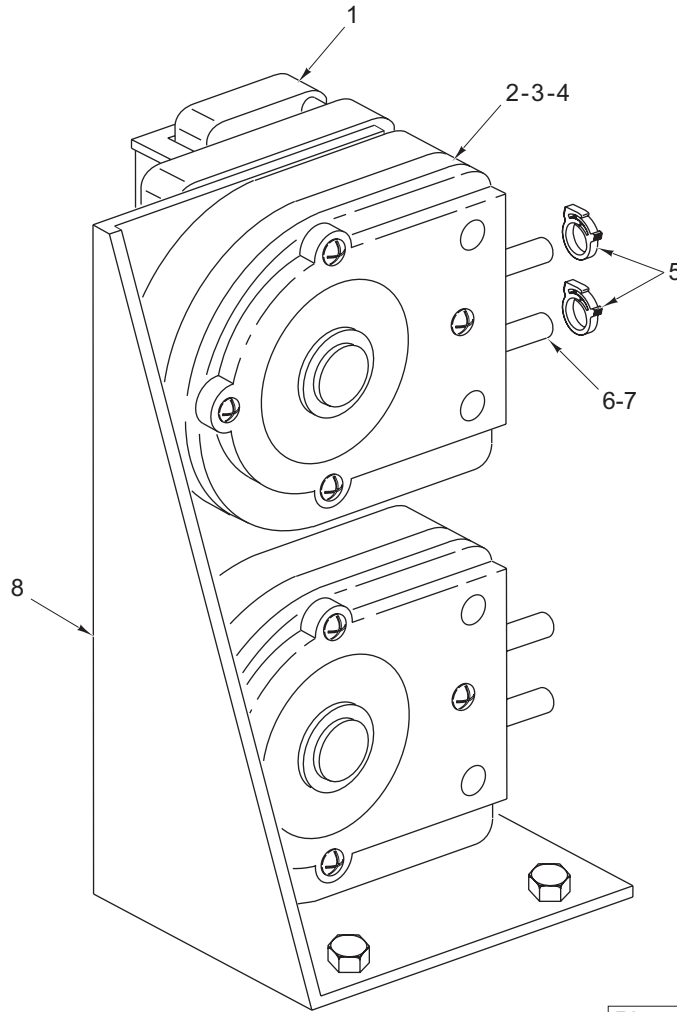
ILLUS. PL-57997	PART NO.	NAME OF PART	AMT.
1	00-185105-00019	Tubing 1/4 x 84 Indicator to Pump (White).....	1
2	00-185111-00001	Clamp – Hose 3/8	2
3	00-123213-00012	Tubing 5/16 x 4 Indicator (Clear).....	1
4	00-185105-00012	Tubing 1/4 x 22 Supply to Indicator (White)	1
5	00-185111-00002	Clamp – Hose 7/16	1
6	00-185112	Stand Pipe 20 1/2 Lg.....	1
7	00-185111-00001	Clamp – Hose 3/8	2
8	00-123213-00012	Tubing 5/16 x 4 Indicator (Clear).....	1
9	00-185105-00004	Tubing 1/4 x 144 Supply to Pump/Indicator (Clear) (LXiC & LXiGC Series)	1
10	00-185105-00012	Tubing 1/4 x 22 Supply to Indicator (White)	1
11	00-185111-00002	Clamp – Hose 7/16	1
12	00-185112	Stand Pipe 20 1/2 Lg.....	1
13	00-185105-00018	Tubing 1/4 x 48 Pump to Chemical Feeder (White) (LX30C, LX40C, & LXiC).....	1
14	00-185105-00022	Tubing 1/4 x 43 Pump to Chemical Feeder (White) (LXGC & LXiGC)	1
15	FP-087-46	Fitting – Tube 1/4	1
16	00-185105-00019	Tubing 1/4 x 84 Indicator to Pump (White).....	1
17	00-185105-00017	Tubing 1/4 x 30 Pump to Chamber (White).....	1
18	FP-087-46	Fitting – Tube 1/4	1
	00-294677-00002	Clamp – Wire	1
	00-185105-00006	Tubing 1/4 x 144 Supply to Pump (Blue) (LXiC & LXiGC Series)	1



PL-55731

DETERGENT/RINSE AID PUMP TUBING (LX18 SERIES)

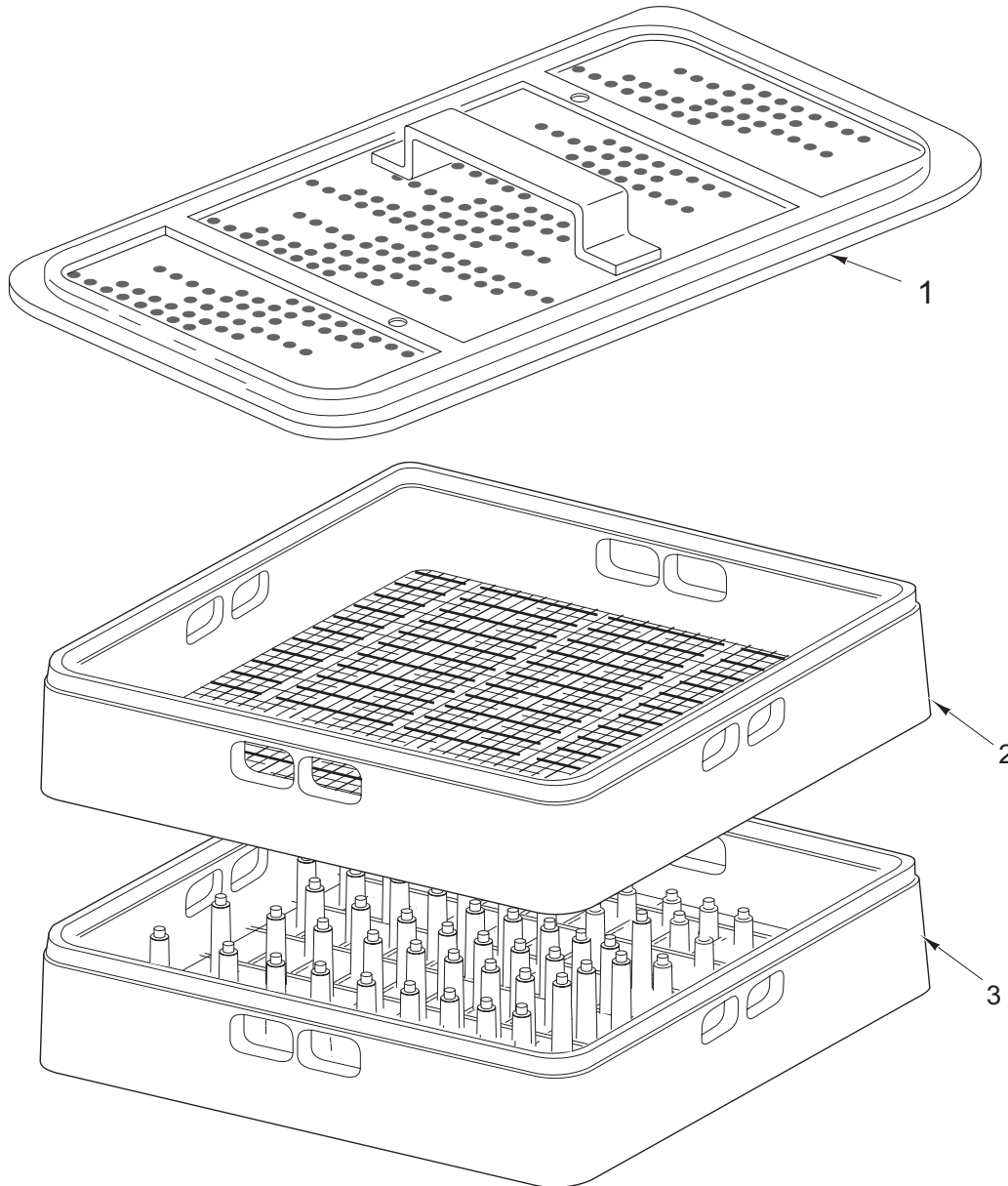
ILLUS.	PART NO.	NAME OF PART	AMT.
PL-55731			
1	00-329981	Union – Bulkhead (Rinse Aid).....	AR
2	00-329982	Gasket – Union Bulkhead.....	AR
3	00-185105-00017	Tubing 1/4 x 30 Rinse Aid Pump to Chamber (White).....	1
4	00-185105-00020	Tubing 1/4 x 120 Indicator to Detergent Pump (Red).....	1
5	00-185111-00001	Clamp – 3/8.....	2
6	00-123213-00012	Tubing 5/16 x 4 Indicator (Clear).....	1
7	00-185105-00012	Tubing 1/4 x 22 Supply to Indicator (White).....	1
8	00-185111-00002	Clamp – Hose 7/16.....	1
9	00-185112	Stand Pipe 20 1/2 Detergent.....	1
10	00-185112	Stand Pipe 20 1/2 Rinse Aid.....	1
11	00-185111-00002	Clamp – Hose 7/16.....	1
12	00-185105-00012	Tubing 1/4 x 22 Supply to Indicator (White).....	1
13	00-123213-00012	Tubing 5/16 x 4 Indicator (Clear).....	1
14	00-185111-00001	Clamp – Hose 3/8.....	2
15	00-185105-00021	Tubing 1/4 x 84 Indicator to Rinse Aid Pump (Blue).....	1
16	00-329982	Gasket – Union Bulkhead.....	AR
17	00-329981	Union – Bulkhead (Detergent).....	AR
18	00-185105-00017	Tubing 1/4 x 30 Detergent Pump to Chamber (White).....	1



PL-57996

CHEMICAL PUMPS

ILLUS.	PART NO.	NAME OF PART	AMT.
PL-57996			
1	00-185097-00001	Pump Motor Assy. (115 V., 60 Hz.)	1
2	00-329871	Chemical Pump	1
3	SC-022-09	Mach. Screw 8-32 x 1/2 Slotted Flat Hd. (SST)	2
4	SC-116-20	Mach. Screw 6-32 x 1/2 Slotted Bndg. Hd. (SST)	4
5	00-185111-00001	Clamp - Hose	2
6	00-328252	Tubing - Chemical Pump	1
7	00-329311	Tube - Chemical Pump (LXi, LXiG, & LXiGC Series)	1
8	00-328585	Bracket - Peristaltic Pump	1
	00-474420	Strip - Test	1
	FP-075-11	Fitting - Tube 3/16	1



PL-57988

MISCELLANEOUS

ILLUS.	PART NO.	NAME OF PART	AMT.
PL-57988			
1	00-328997-00001	Strainer – Sump.....	1
2	00-315193	Rack – Combination (Packaged).....	1
3	00-315191	Rack – Peg (Packaged).....	1
	00-329313	Paper – Litmus (Vial) (100 Strips 2¼ Lg.).....	1
	00-329277	Power Cord Kit (Incls. Reliefs) (LX Series).....	1
	00-892839	Power Cord Kit (380-400/3) (LXi Series).....	1
	00-474174	Power Cord Kit (1 Ph.) (LXi & LXiG Series).....	1
	00-749801	Power Cord Kit (250/60/1 Ph.).....	1
	00-749680	Power Cord Kit (480/3) (Incls. Reliefs).....	1
	00-749681	Power Cord Kit (250/3) (Incls. Reliefs).....	1
	00-892839	Power Cord Kit (380-400/3) (Incls. Reliefs).....	1
	00-473042-00001	Drawer Assy. (LX18 Series).....	1
	00-473042-00002	Drawer Assy. (LX30 Series).....	1
	00-473042-00003	Drawer Assy. (LX40 Series).....	1
	00-473042-00004	Drawer Assy. (LXG Series).....	1

